



US00D530565S

(12) **United States Design Patent**
Grcic

(10) **Patent No.:** **US D530,565 S**

(45) **Date of Patent:** **** Oct. 24, 2006**

(54) **BLENDER**

(75) Inventor: **Konstantin Grcic**, Munich (DE)

(73) Assignee: **SEB S.A.**, Ecully Cedex (FR)

(**) Term: **14 Years**

(21) Appl. No.: **29/216,666**

(22) Filed: **Nov. 8, 2004**

(30) **Foreign Application Priority Data**

May 6, 2004 (FR) 04 2376

(51) **LOC (8) Cl.** **31-00**

(52) **U.S. Cl.** **D7/378**

(58) **Field of Classification Search** D7/306,
D7/309, 311, 376-386, 412, 413, 415, 509,
D7/523, 529, 530; 99/348, 509-511; 241/30,
241/33, 37.5, 101.01, 101.1, 101.2, 282.2,
241/285.1, 285.2, 301; 366/64, 65, 129, 197-214,
366/219, 241-254, 314, 341, 349
See application file for complete search history.

(56) **References Cited**

U.S. PATENT DOCUMENTS

D347,966 S * 6/1994 Doggett D7/378
D387,948 S * 12/1997 Leverrier D7/378
D396,990 S * 8/1998 Leverrier D7/378

D404,247 S * 1/1999 Spagnolo D7/378
D404,607 S * 1/1999 Huang D7/378
6,092,922 A * 7/2000 Kett et al. 366/205
D436,288 S * 1/2001 Thackray D7/386
D451,756 S * 12/2001 Deros et al. D7/378
D466,759 S * 12/2002 Moore D7/378
D474,066 S * 5/2003 Morton et al. D7/386
2005/0122837 A1 * 6/2005 Bravard et al. 366/199

* cited by examiner

Primary Examiner—Caron D. Veynar

Assistant Examiner—Ricky Pham

(74) *Attorney, Agent, or Firm*—Browdy and Neimark, PLLC

(57) **CLAIM**

The ornamental design for a blender, as shown.

DESCRIPTION

FIG. 1 is a front view of a blender in accordance with the present design;

FIG. 2 is a rear view thereof;

FIG. 3 is a left side view thereof;

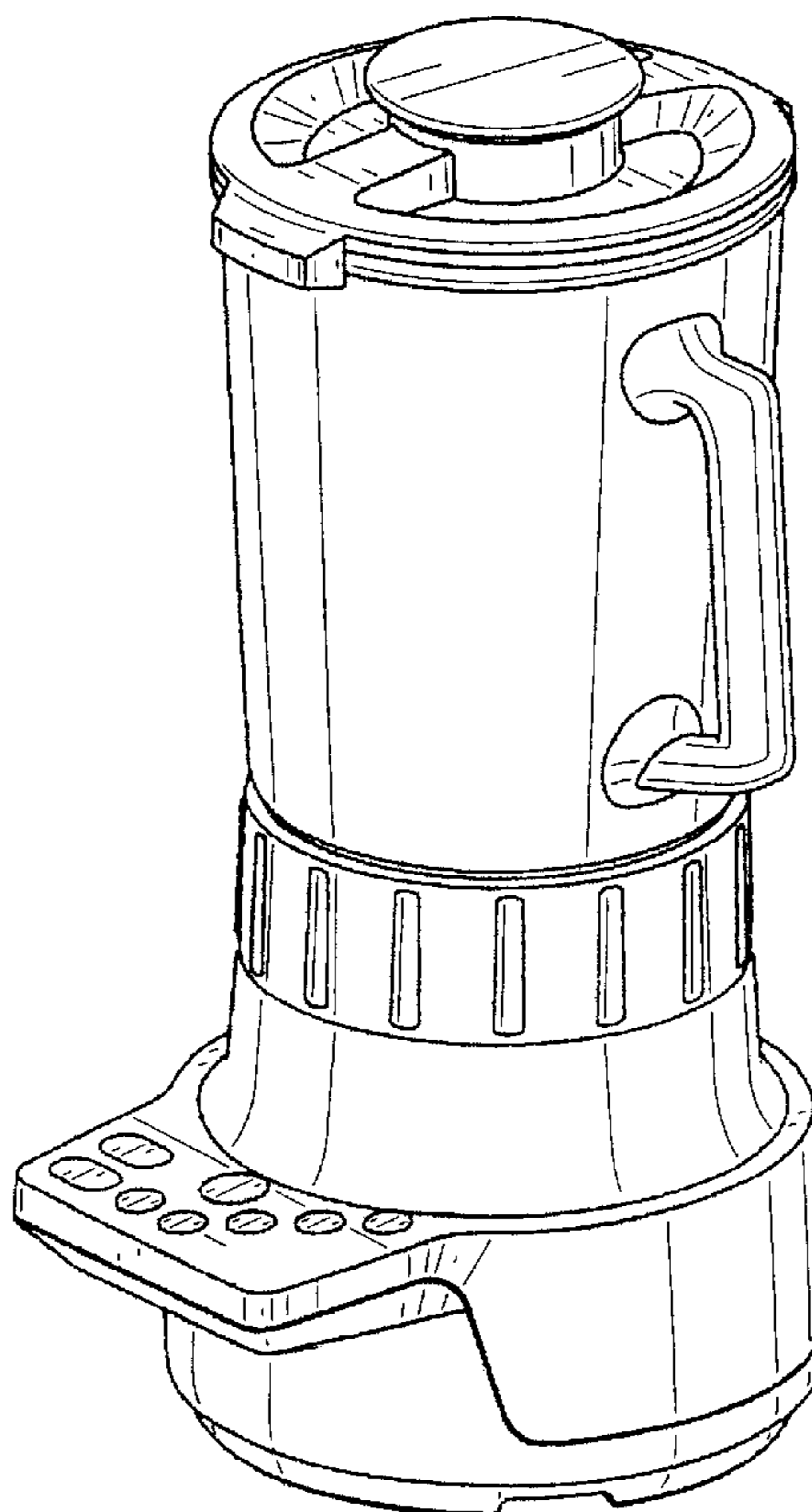
FIG. 4 is a right side view thereof;

FIG. 5 is a top plan view thereof;

FIG. 6 is a bottom plan view thereof; and,

FIG. 7 is a perspective view thereof.

1 Claim, 7 Drawing Sheets



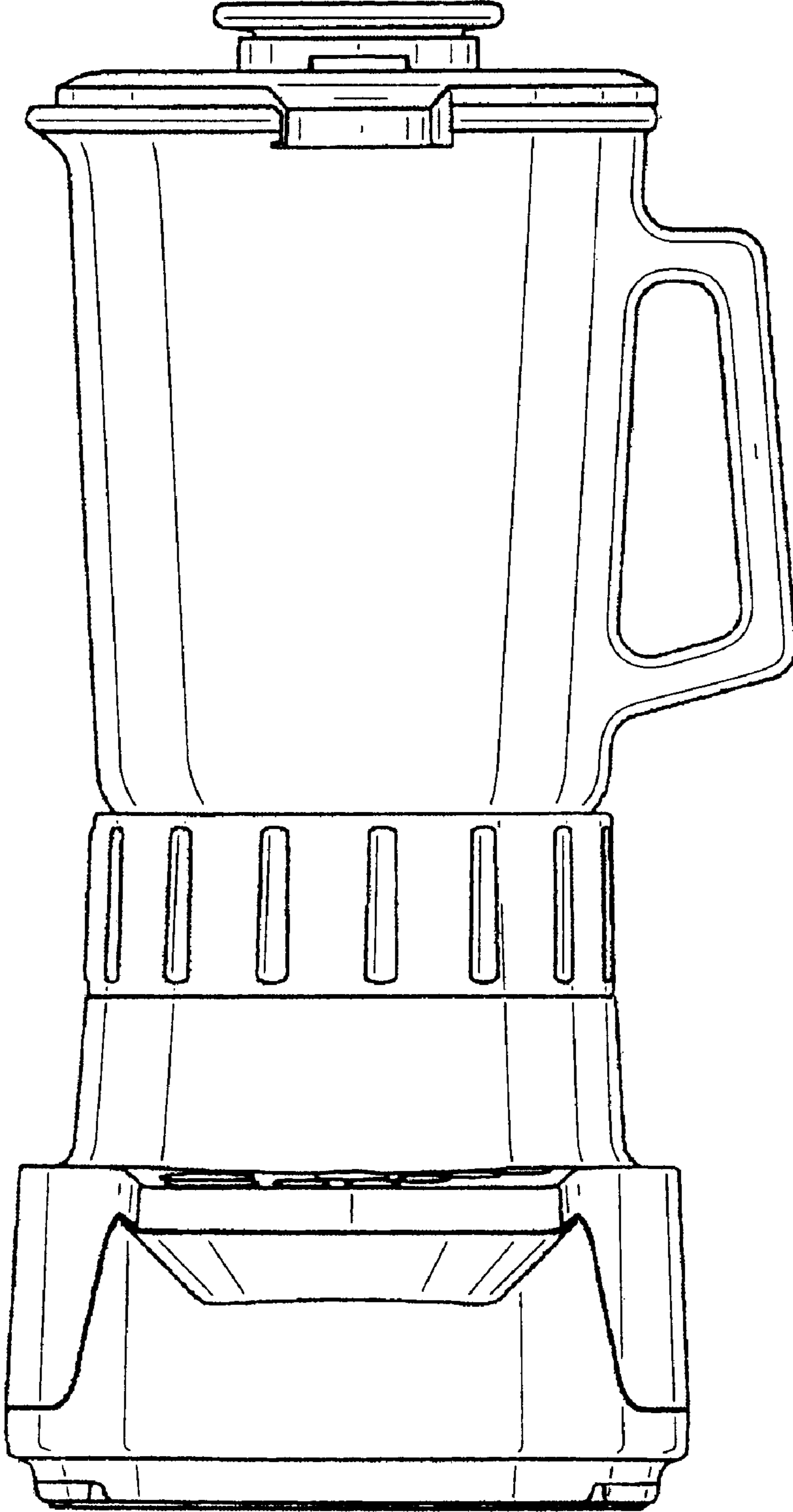


FIG. 1

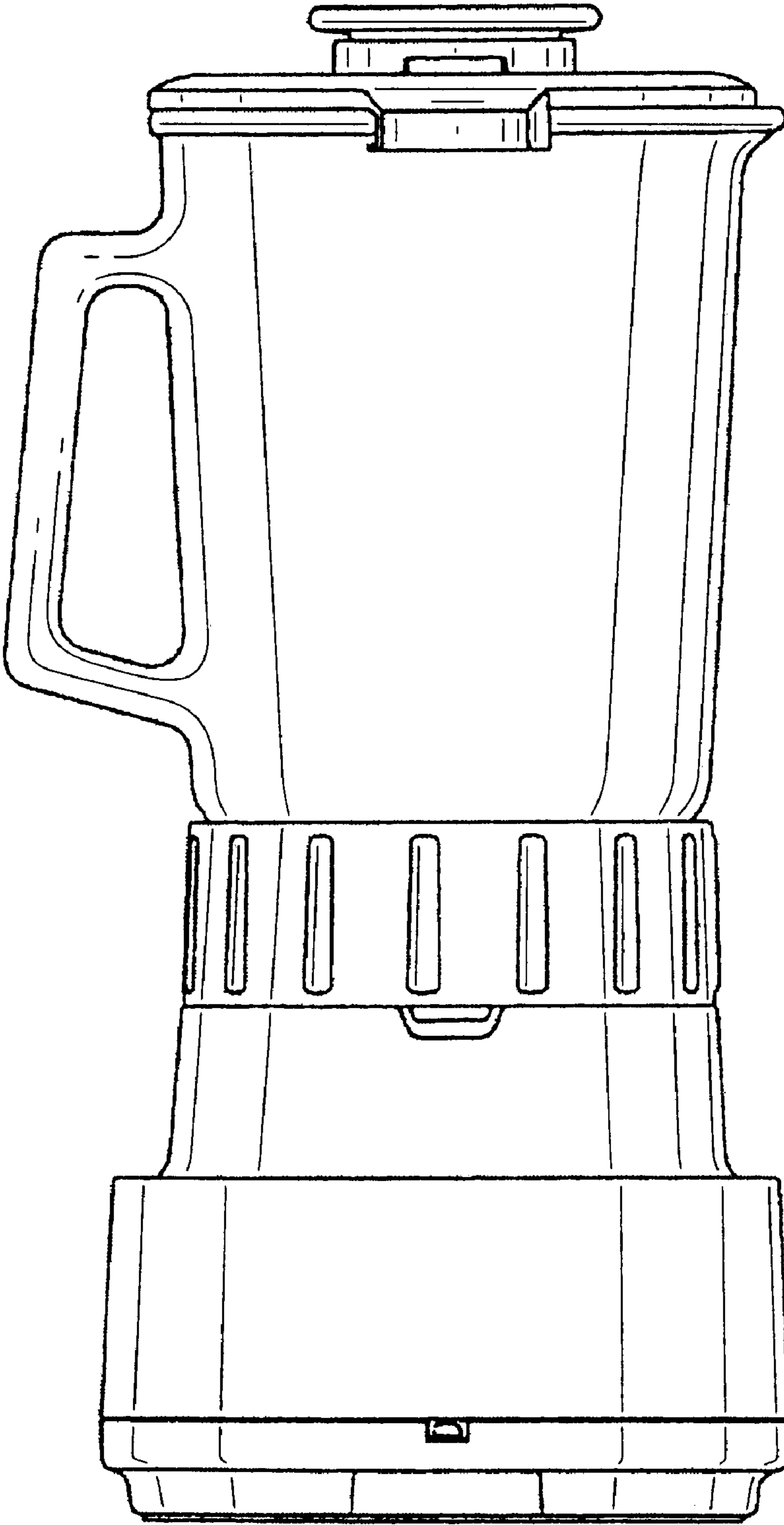


FIG. 2

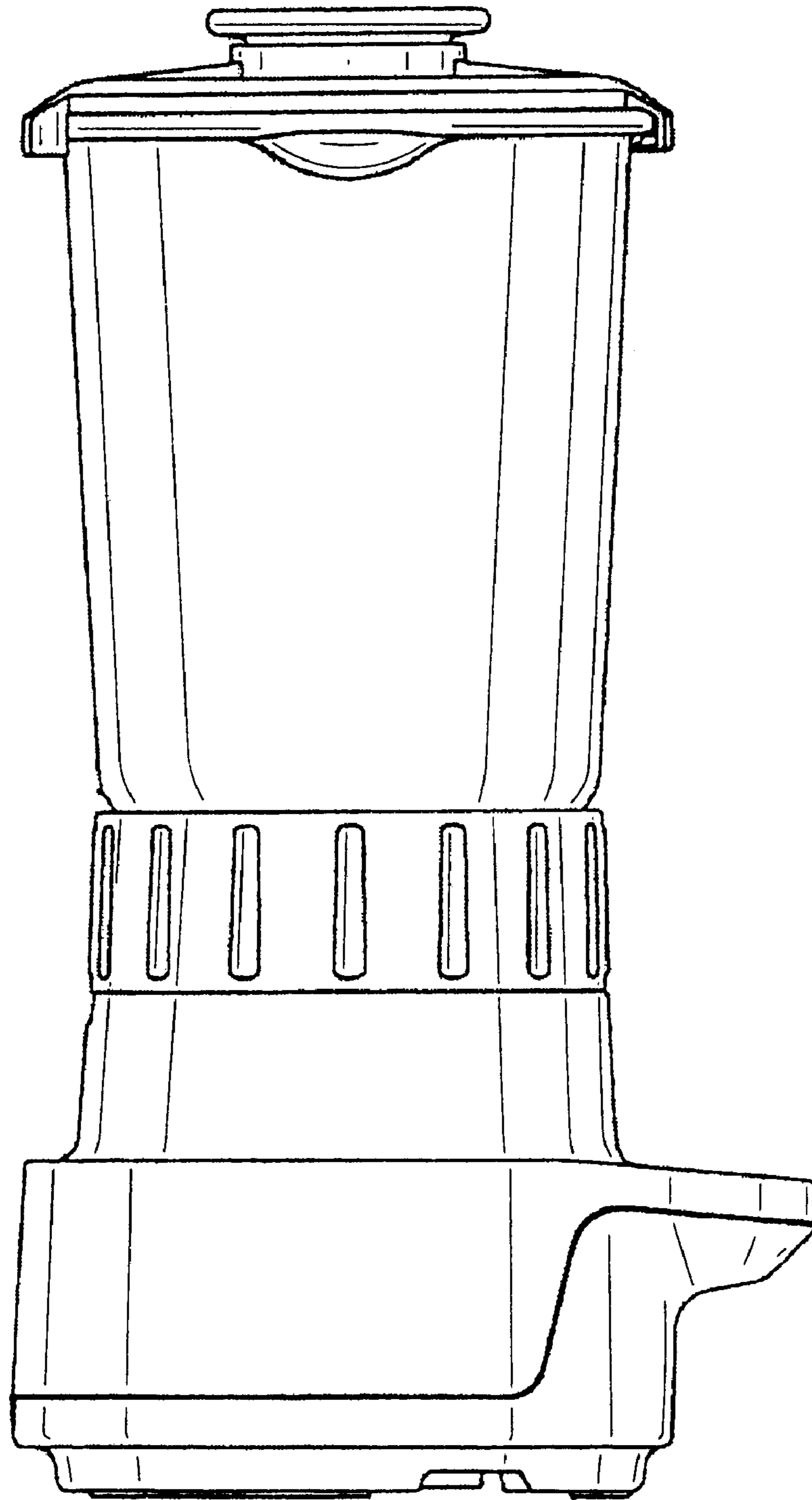


FIG. 3

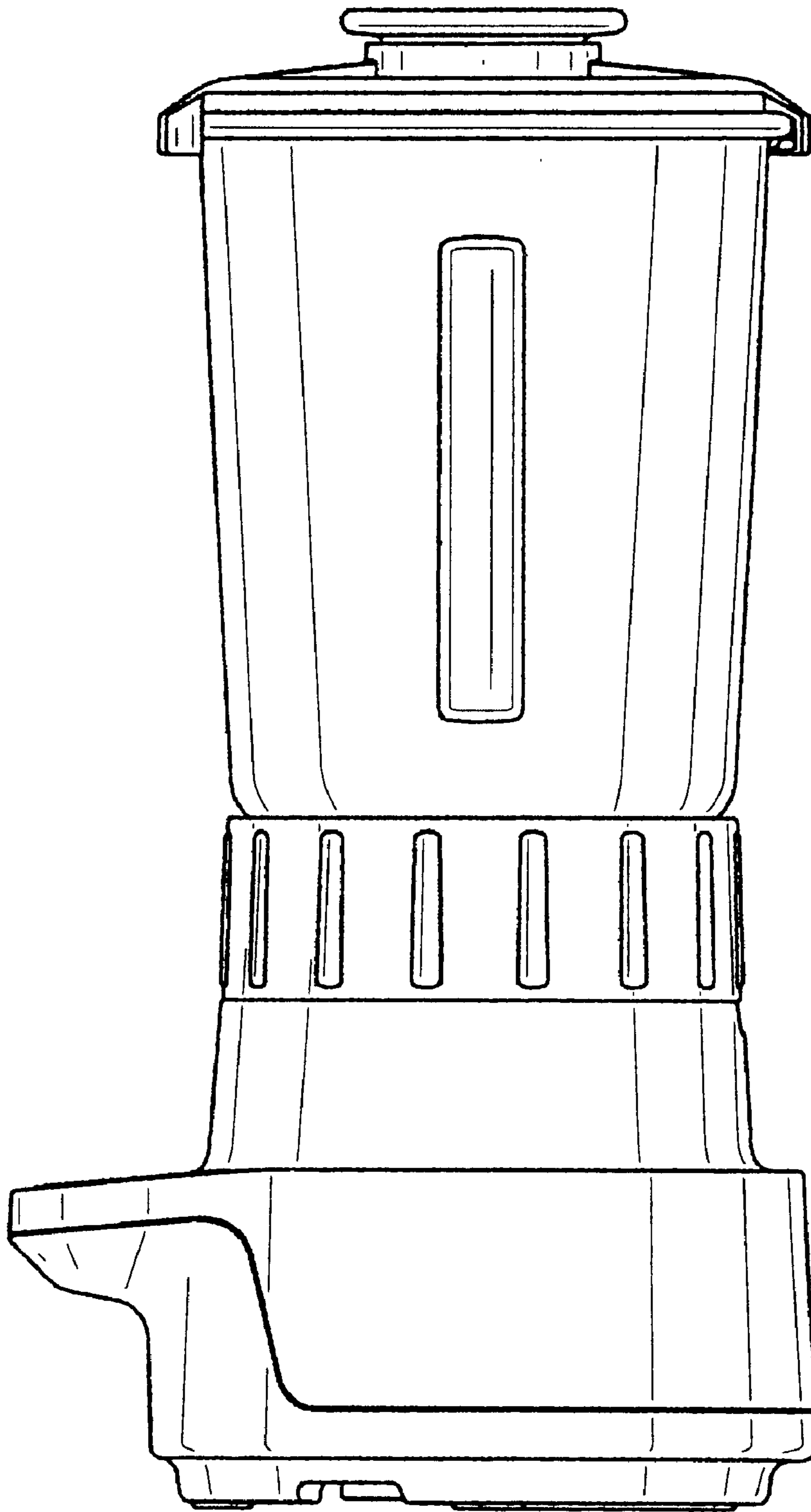


FIG. 4

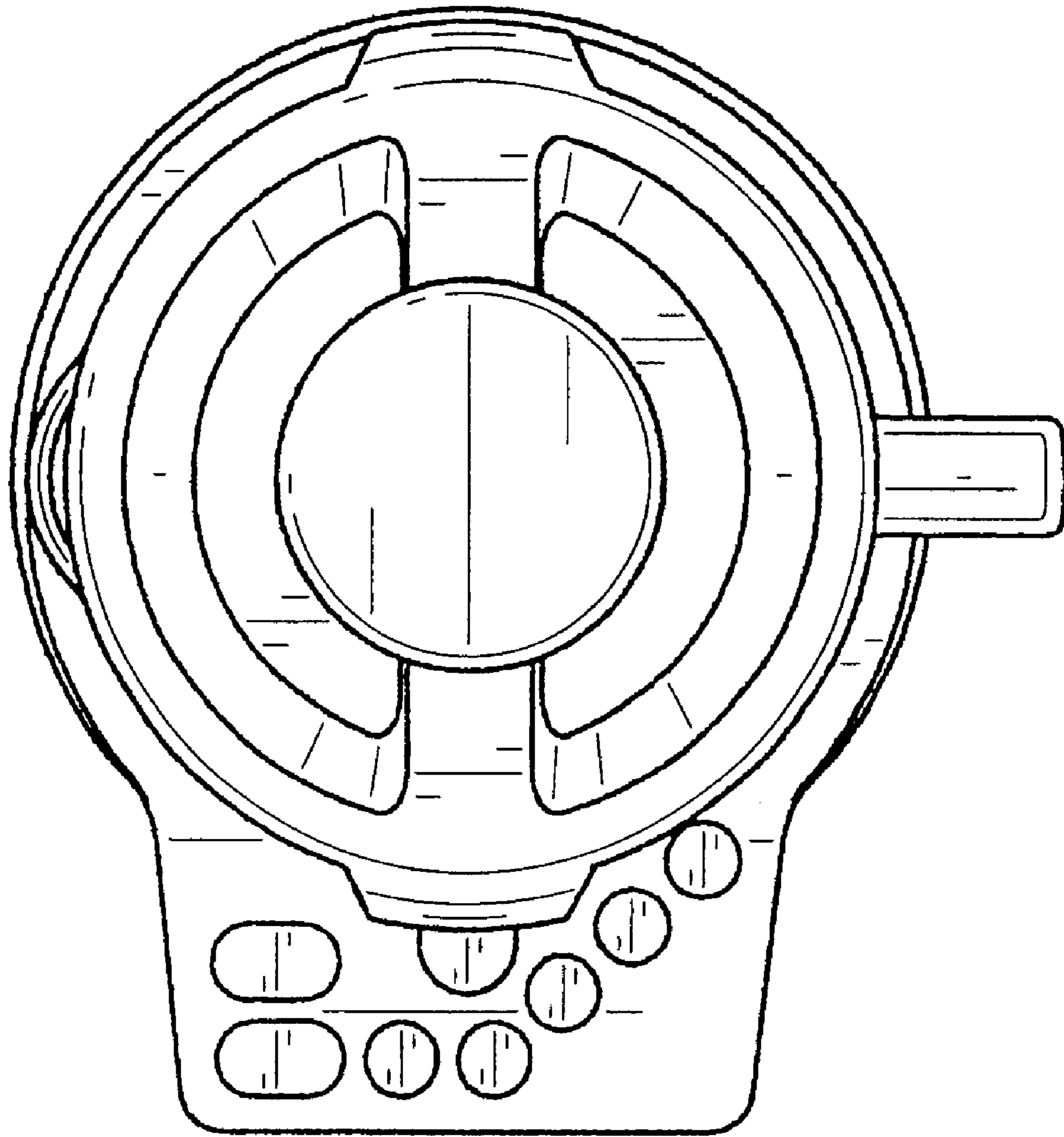


FIG. 5

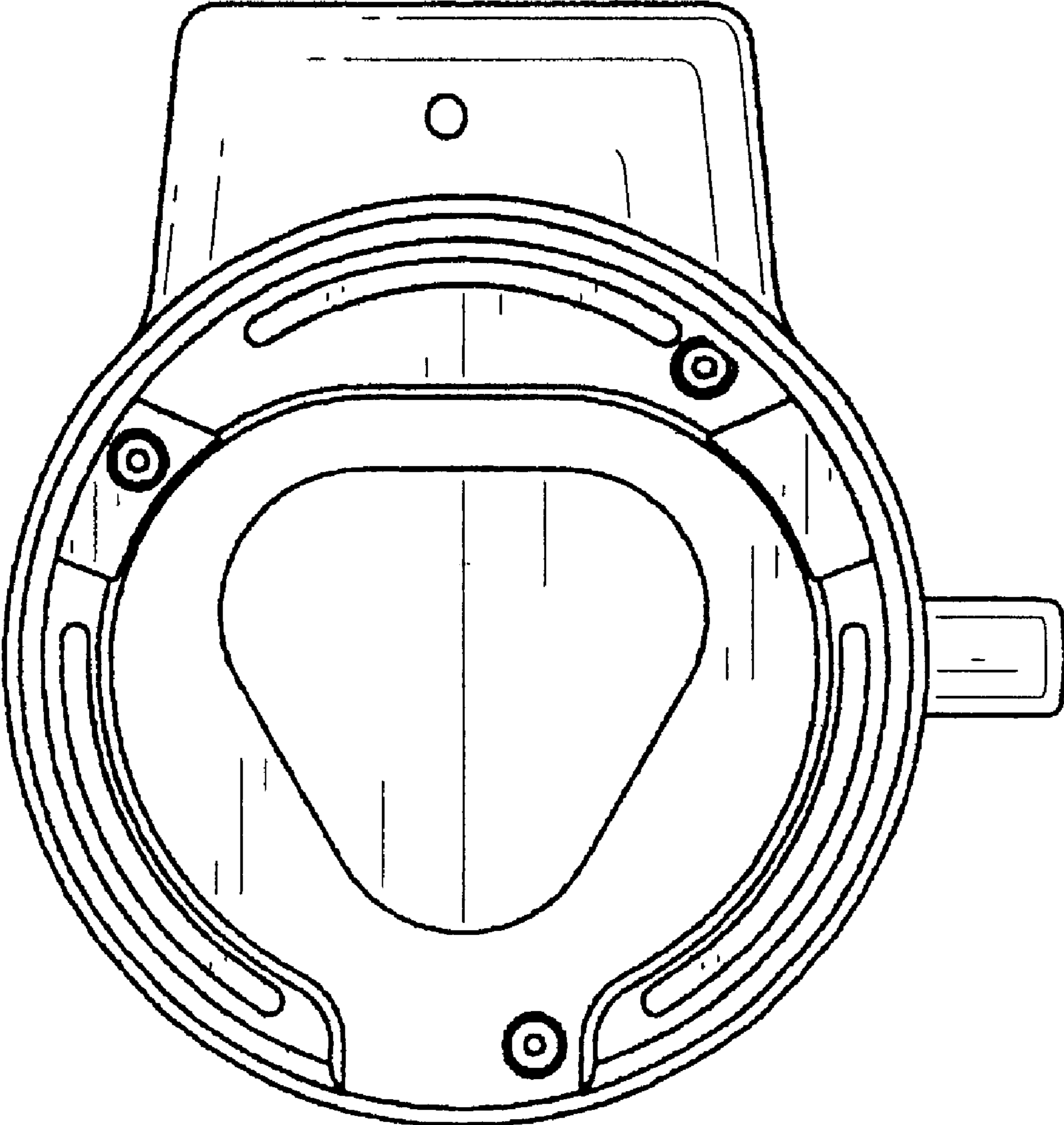


FIG. 6

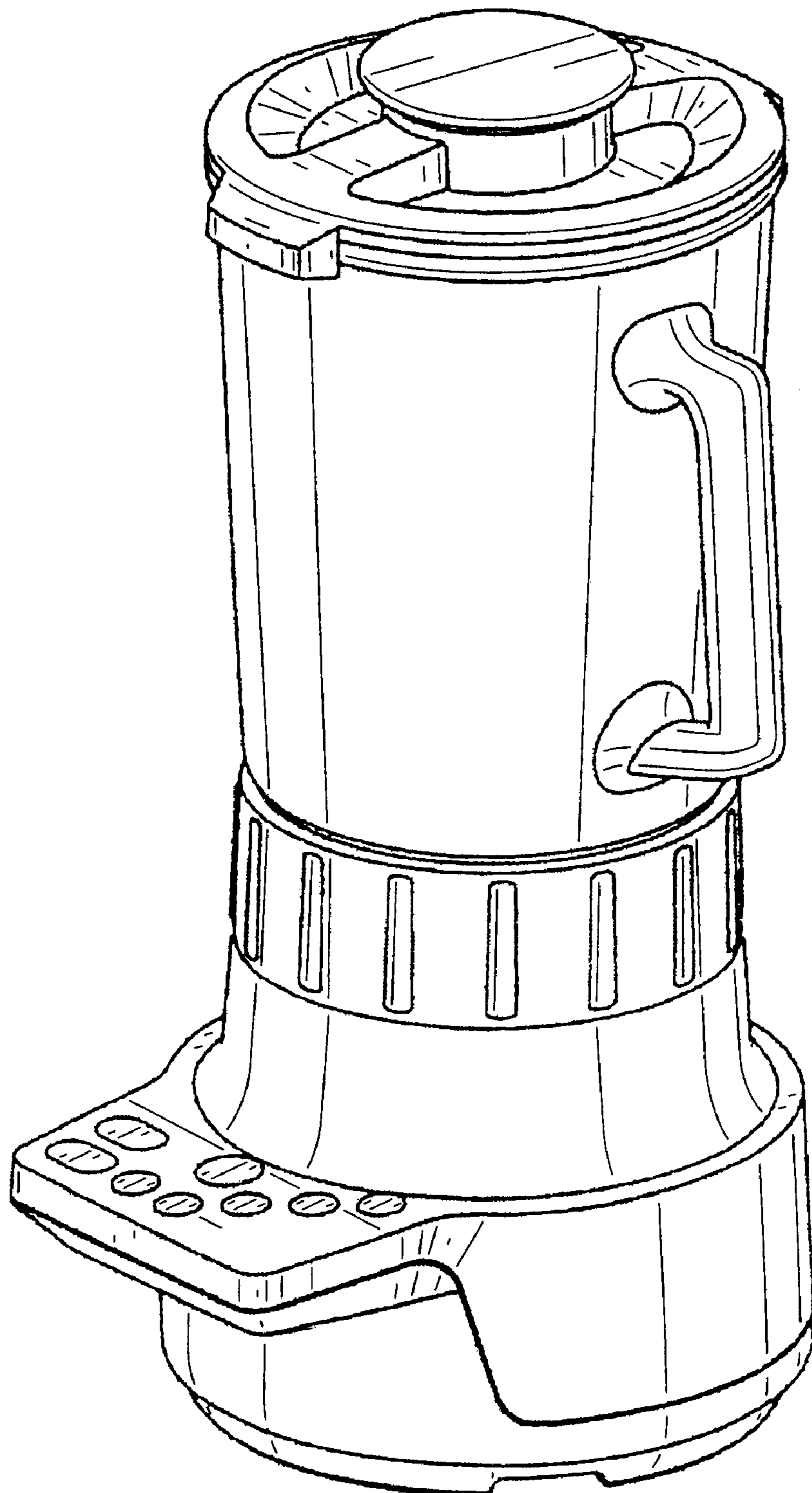


FIG. 7