



US00D530564S

(12) **United States Design Patent**  
**Chiba**

(10) **Patent No.:** **US D530,564 S**

(45) **Date of Patent:** **\*\* Oct. 24, 2006**

(54) **MICROWAVEABLE COOKING UTENSIL**

(76) Inventor: **Machiko Chiba**, 5-8-17 Kamisugi,  
Aoba-ku, Sendai, Miyagi, 980-0011 (JP)

(\*\*) Term: **14 Years**

(21) Appl. No.: **29/210,152**

(22) Filed: **Jul. 27, 2004**

(30) **Foreign Application Priority Data**

Jan. 28, 2004 (JP) ..... 2004-001927

(51) **LOC (8) Cl.** ..... **07-02**

(52) **U.S. Cl.** ..... **D7/360**

(58) **Field of Classification Search** ..... D7/323,  
D7/325, 354-361, 387, 391, 392.1, 500, 538,  
D7/540, 601, 610, 629; 126/369; 206/564,  
206/565; 220/573.1, 574, 780, 912  
See application file for complete search history.

(56) **References Cited**

**U.S. PATENT DOCUMENTS**

3,511,288	A	*	5/1970	Swett et al.	.....	206/45.2
D228,602	S	*	10/1973	Swett et al.	.....	D7/391
4,197,940	A	*	4/1980	DeRossett	.....	220/780
D257,607	S	*	12/1980	Smith	.....	D7/542
D287,917	S	*	1/1987	Pomroy et al.	.....	D7/505
D314,514	S	*	2/1991	Ten Eyck et al.	.....	D9/447
5,310,981	A	*	5/1994	Sarnoff et al.	.....	219/731
5,363,978	A	*	11/1994	Molo	.....	220/254.3
D384,554	S	*	10/1997	Ancona et al.	.....	D7/505
D468,202	S	*	1/2003	Chou	.....	D9/429
D508,378	S	*	8/2005	Bertulis	.....	D7/629
2005/0173421	A1	*	8/2005	Kim	.....	219/682

\* cited by examiner

*Primary Examiner*—Caron D. Veynar

*Assistant Examiner*—Ricky Pham

(74) *Attorney, Agent, or Firm*—Darby & Darby

(57) **CLAIM**

The ornamental design for microwaveable cooking utensil, as shown and described.

**DESCRIPTION**

FIG. 1 is an exploded view of a microwaveable cooking utensil;

FIG. 2 is an elevated view of the microwaveable cooking utensil;

FIG. 3 is a side view of the microwaveable cooking utensil; the opposite side view being a mirror image thereof;

FIG. 4 is a side view rotated 90 degrees from the view in FIG. 3; the opposite side view being a mirror image thereof;

FIG. 5 is a top view of the microwaveable cooking utensil;

FIG. 6 is a bottom view of the microwaveable cooking utensil;

FIG. 7 is a bottom view of the outer cover of the microwaveable cooking utensil, shown separately for ease of illustration;

FIG. 8 is a top view without any covers of the microwaveable cooking utensil;

FIG. 9 is a top view of the inner cover of the microwaveable cooking utensil, shown separately for ease of illustration;

FIG. 10 is a side view of the inner cover of the microwaveable cooking utensil; the opposite side view being a mirror image thereof, shown separately for ease of illustration;

FIG. 11 is a side view of the inner cover rotated 90 degrees from the view in FIG. 10; the opposite side view being a mirror image thereof, shown separately for ease of illustration;

FIG. 12 is a bottom view of the inner cover of the microwaveable cooking utensil, shown separately for ease of illustration;

FIG. 13 is a top view of a basket of the microwaveable cooking utensil, shown separately for ease of illustration; and,

FIG. 14 is a side view of the basket of the microwaveable cooking utensil; the other side views being a mirror image thereof, shown separately for ease of illustration.

The broken lines showing the decorative logo in FIGS. 1, 2 and 4 are for illustrative purposes only and form no part of the claimed design.

**1 Claim, 7 Drawing Sheets**

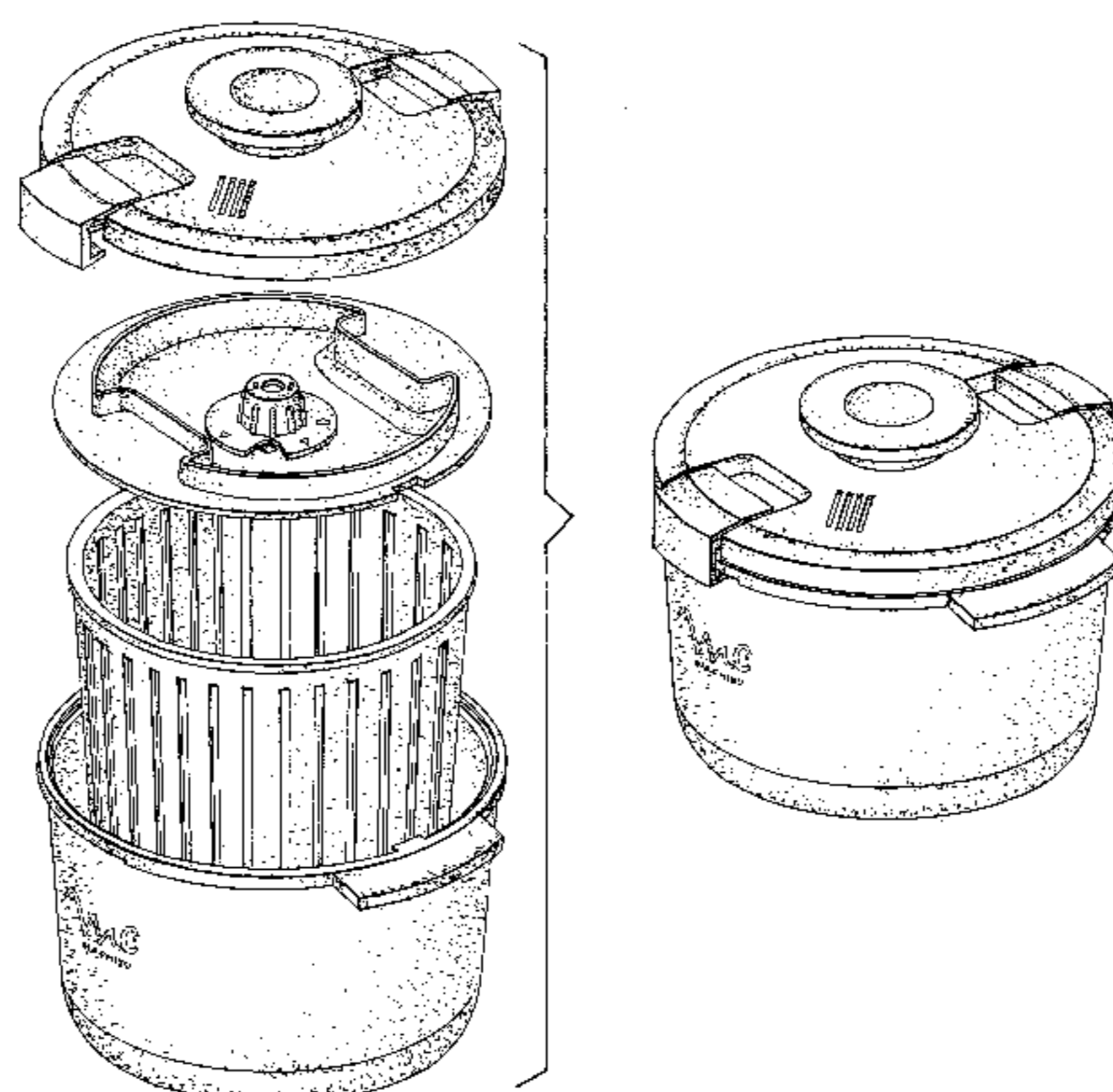
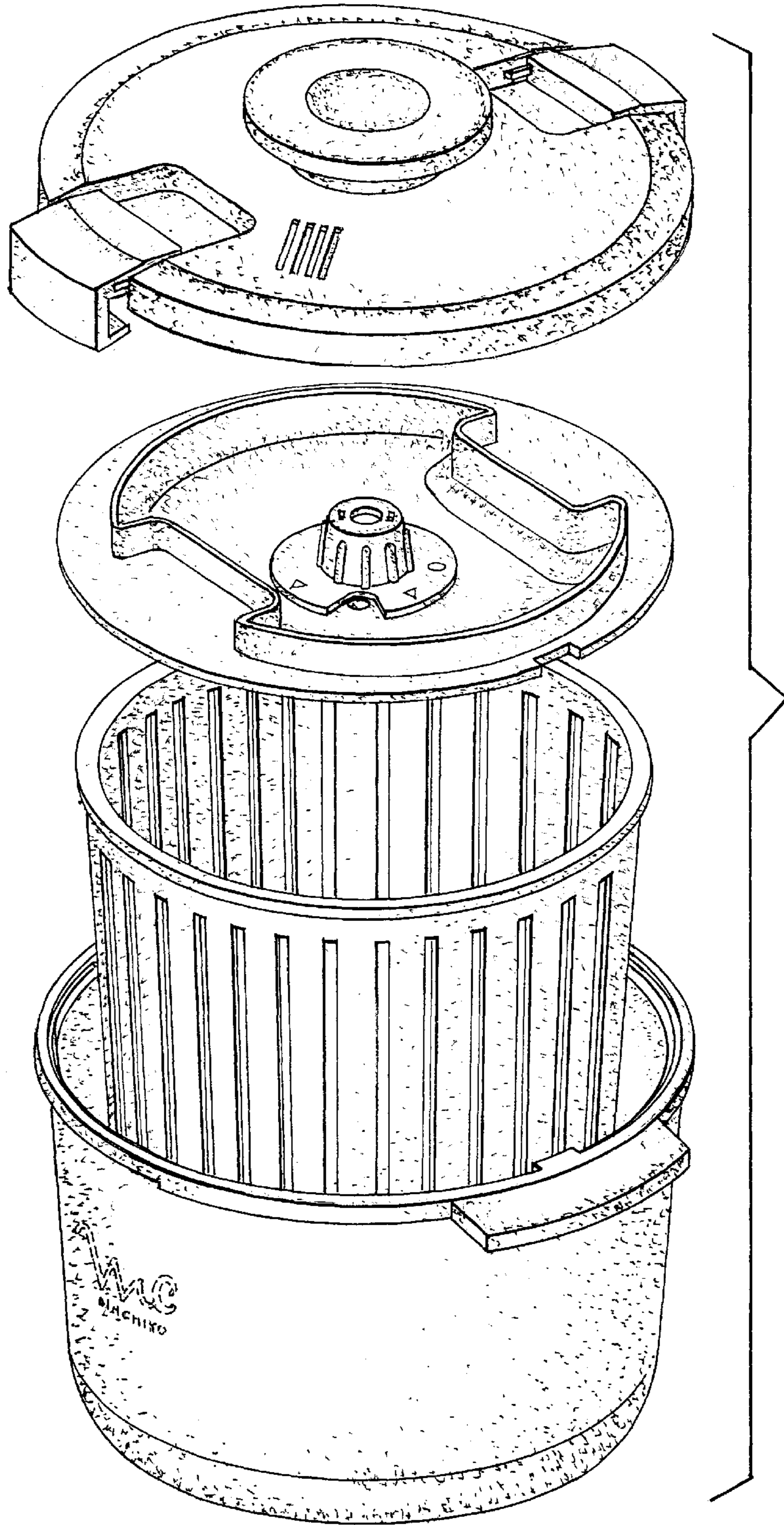
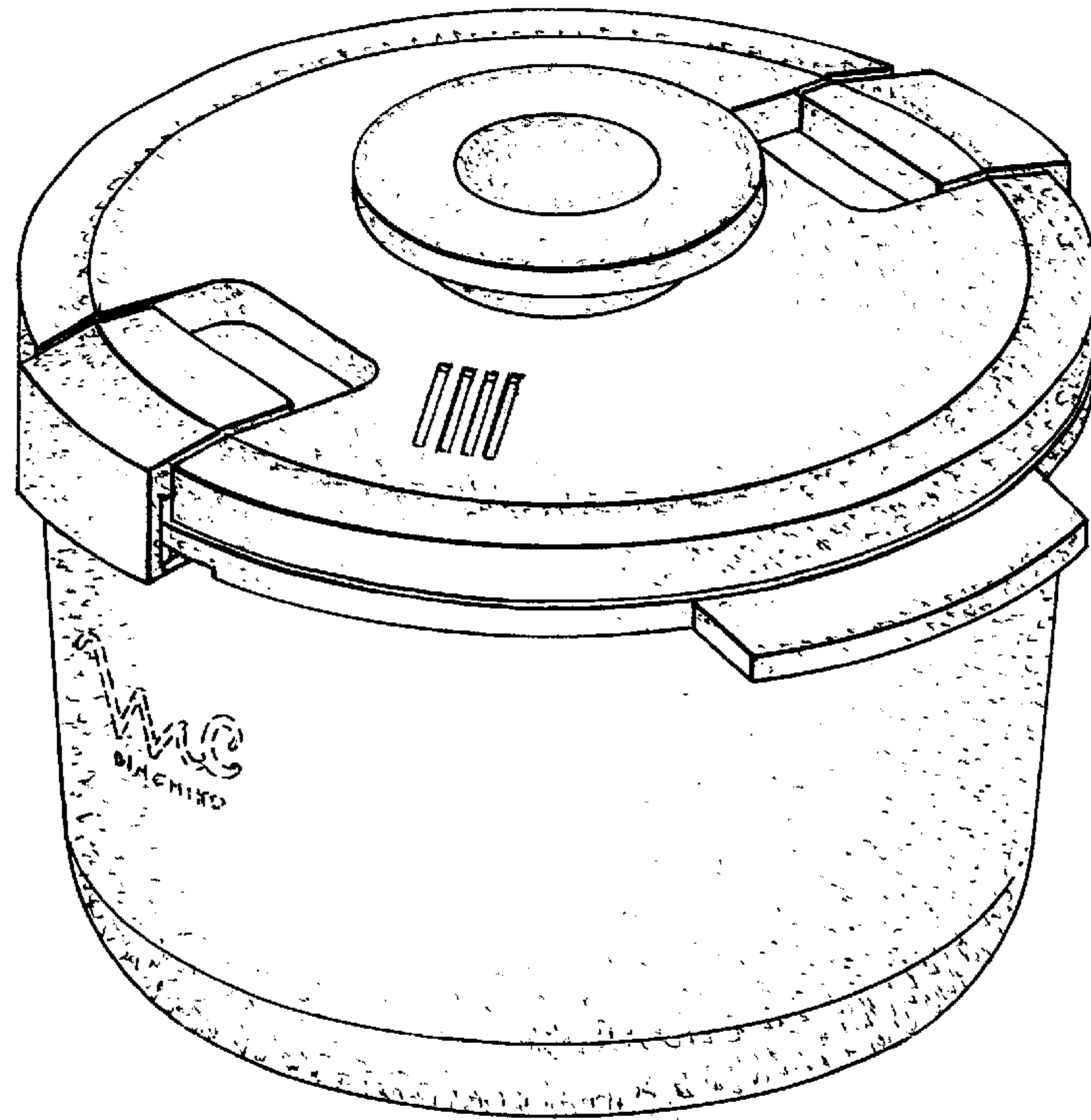


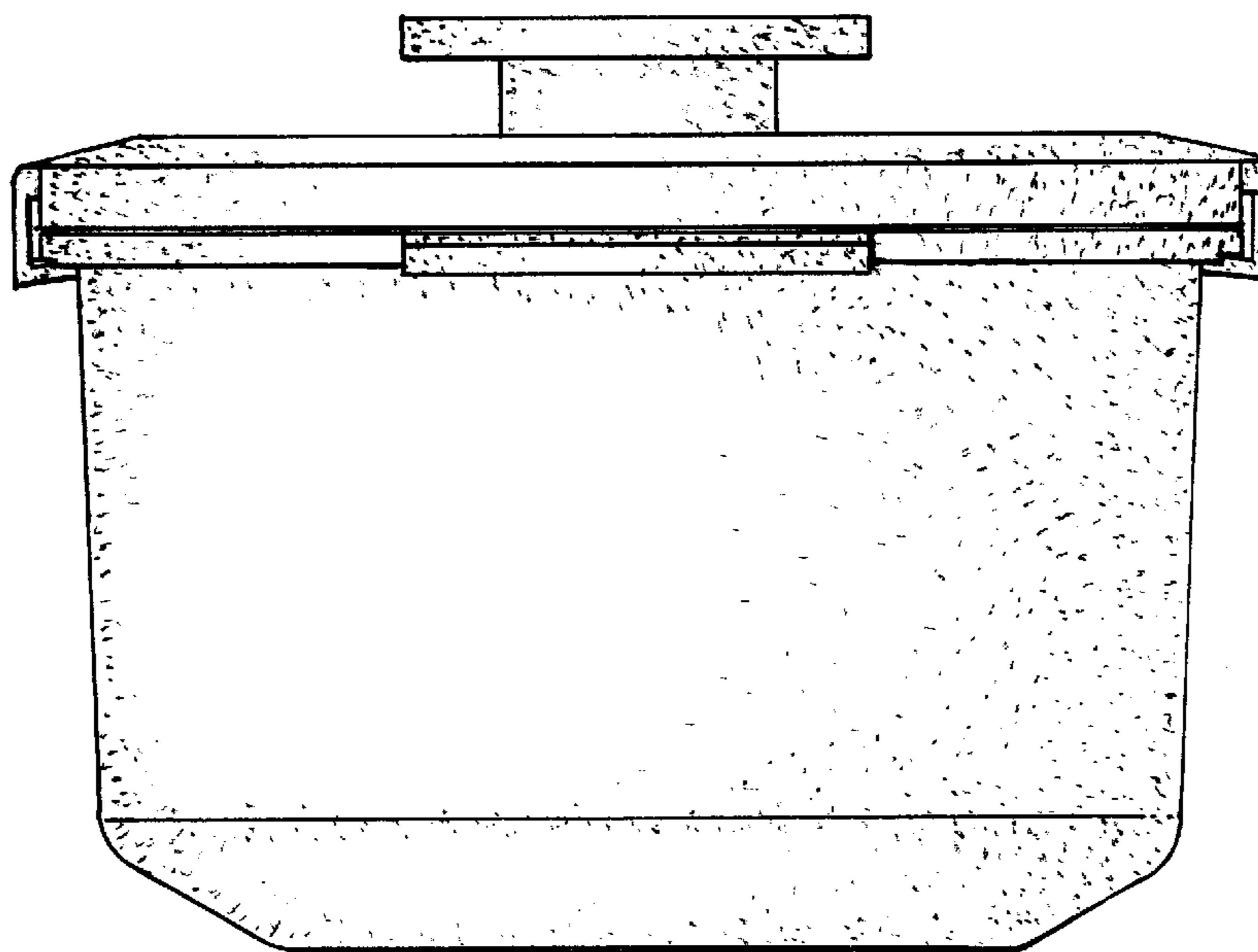
FIG. 1



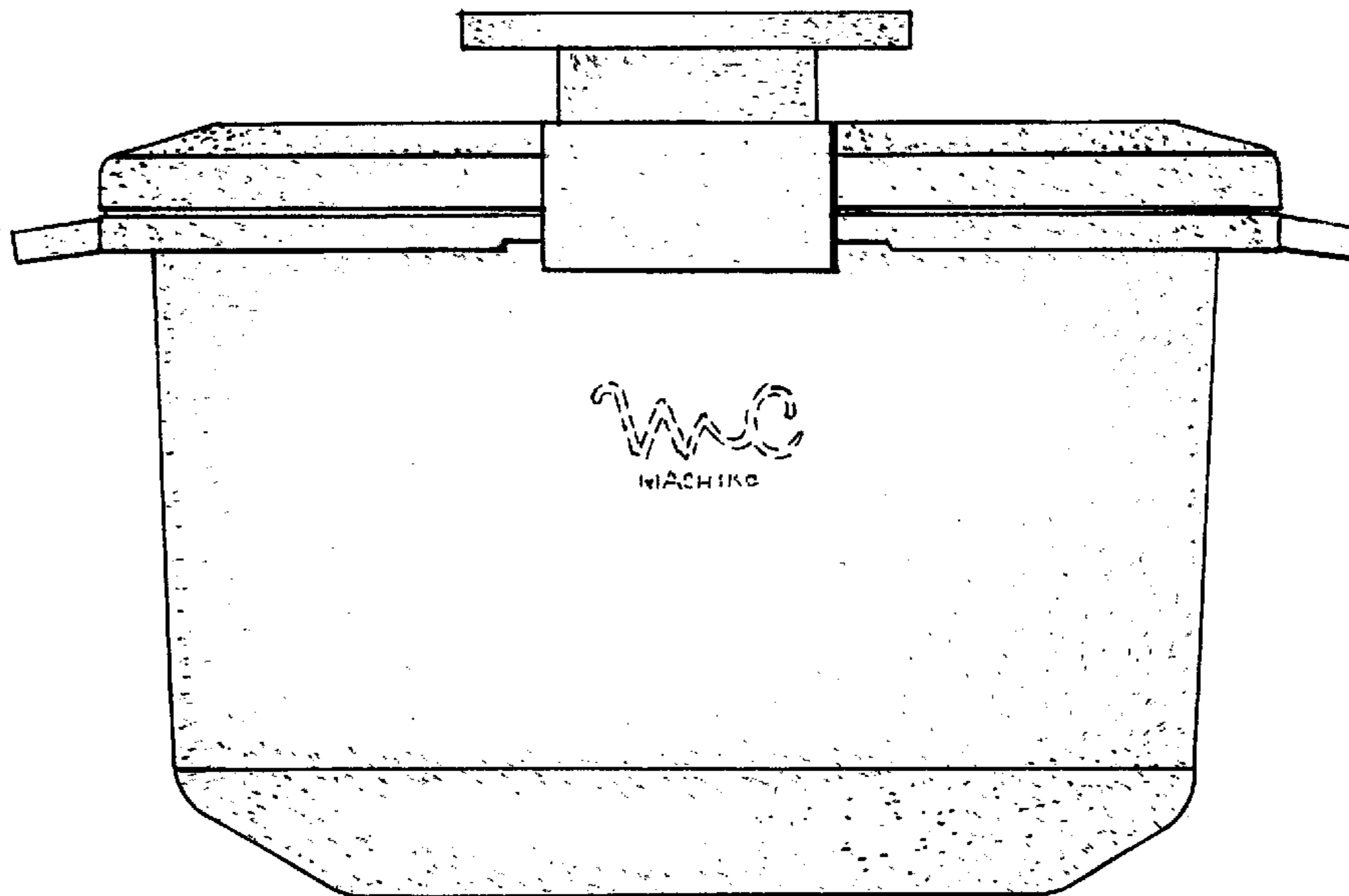
**FIG. 2**



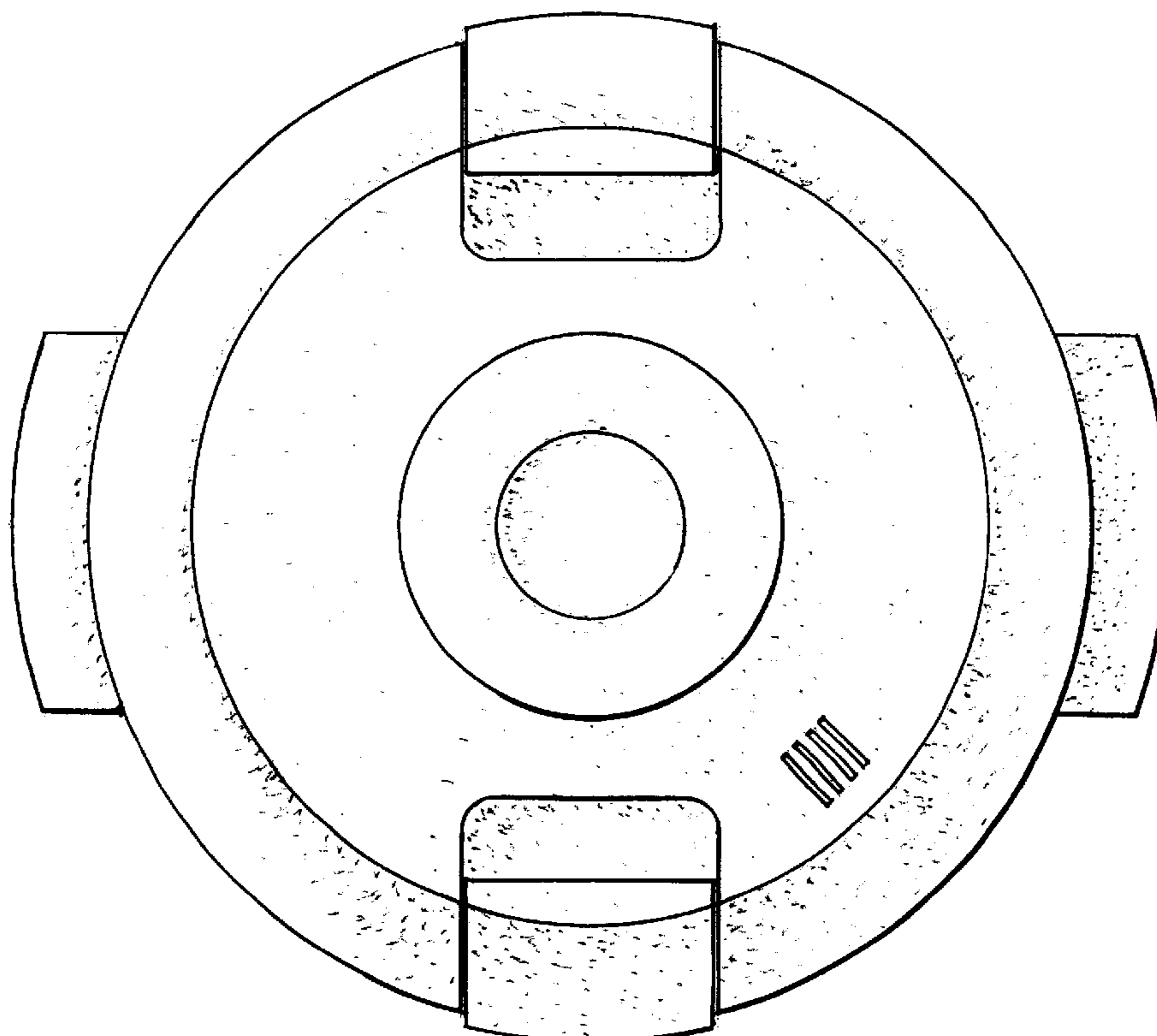
**FIG. 3**



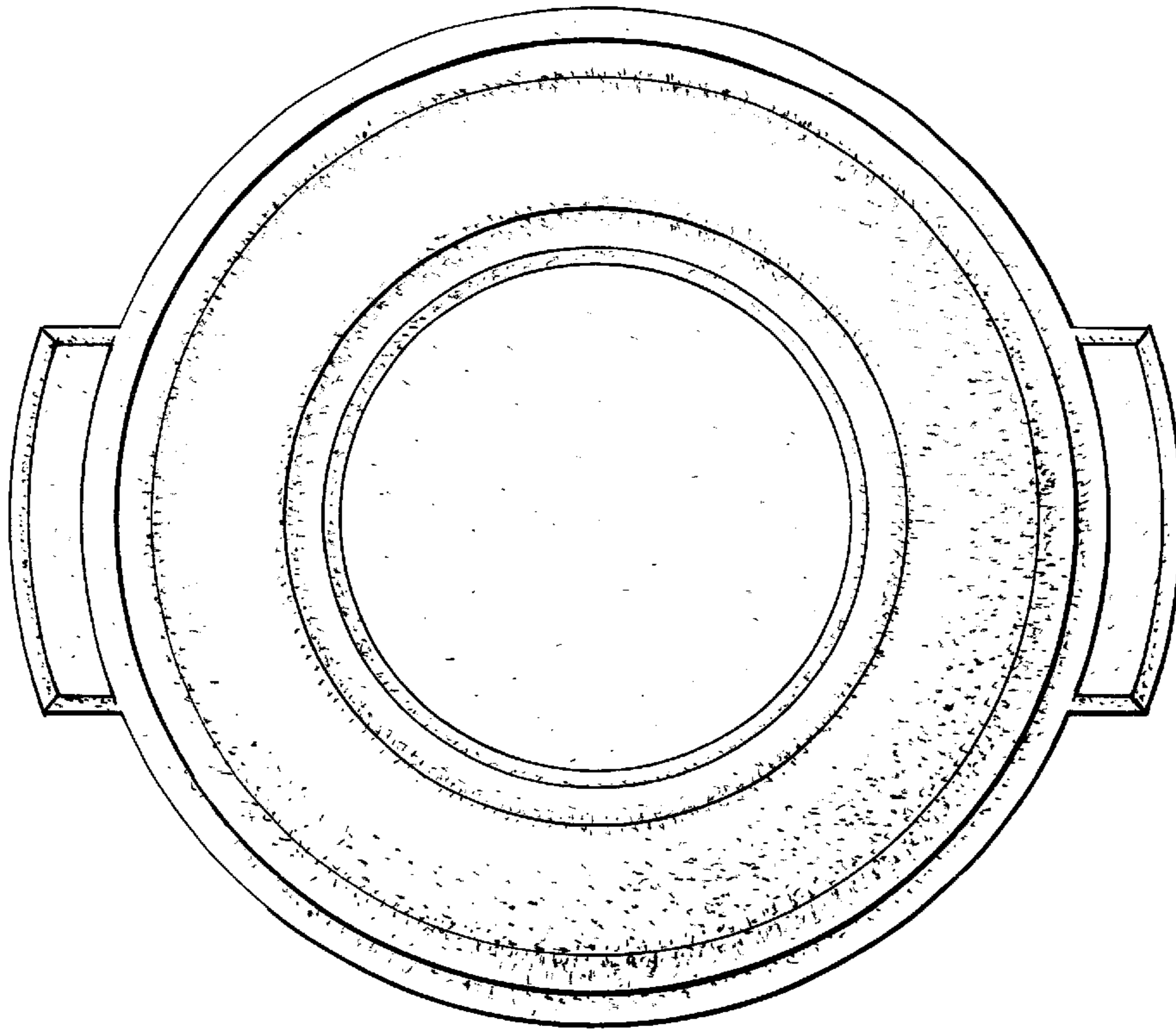
**FIG. 4**



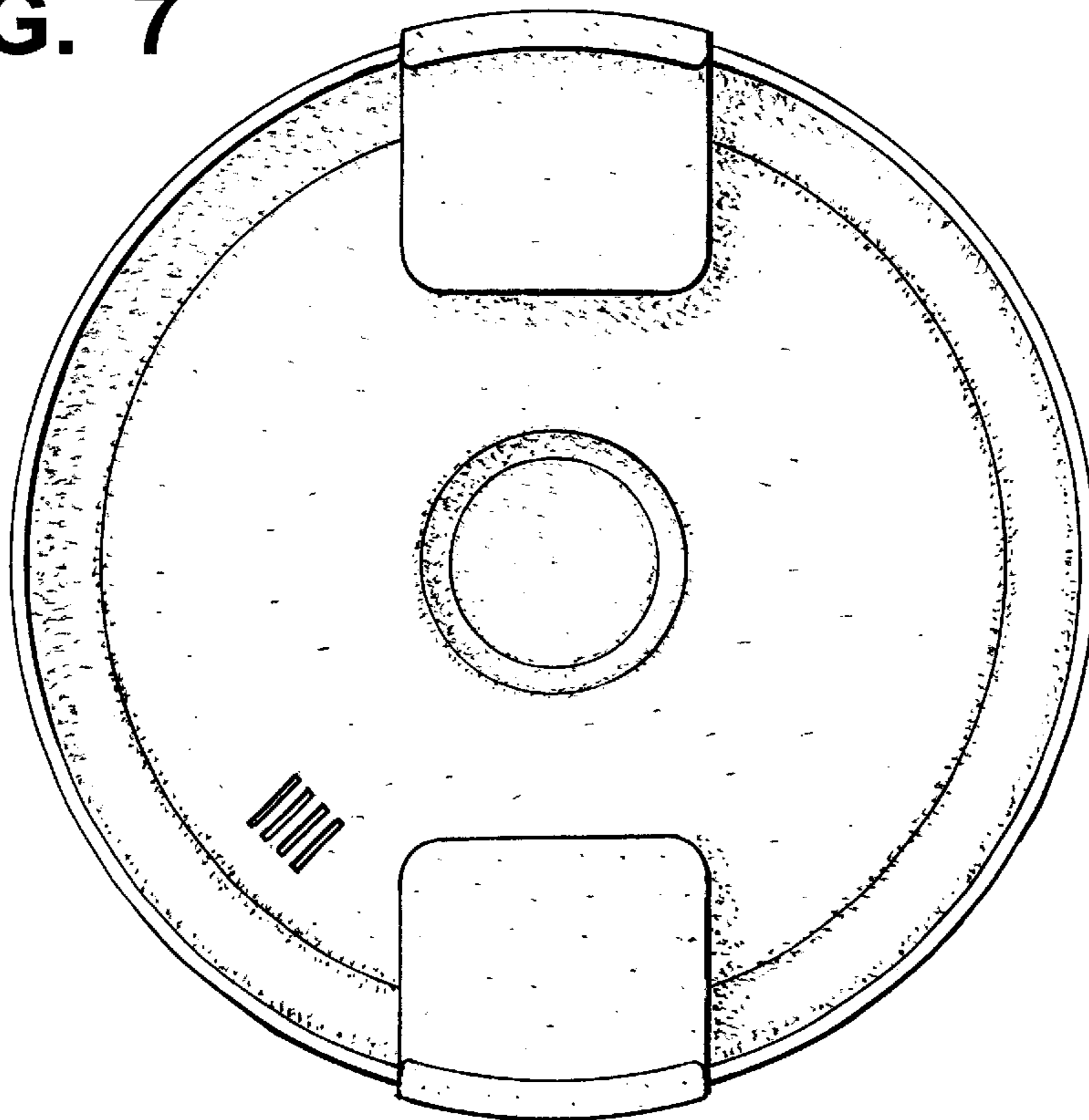
**FIG. 5**



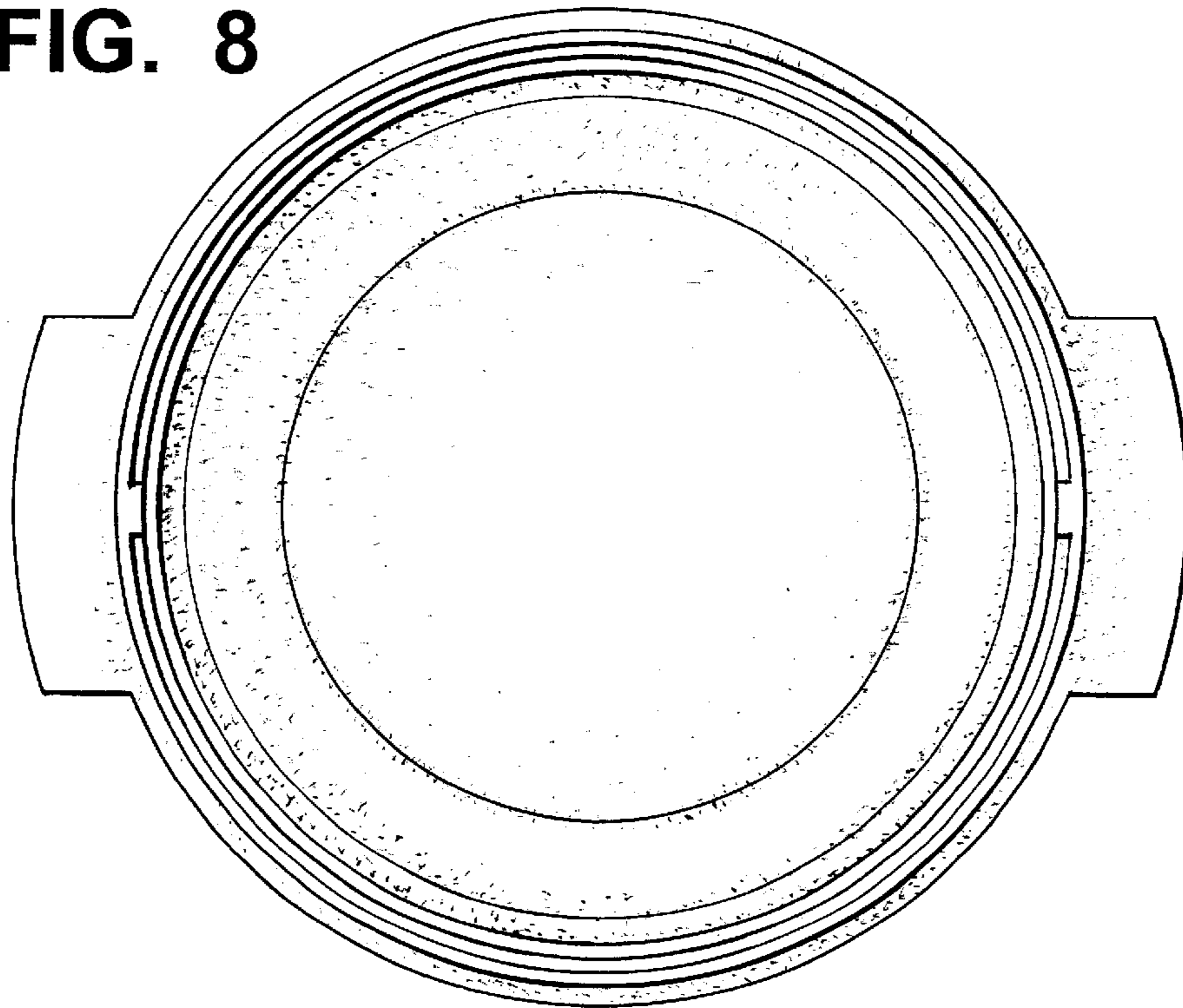
**FIG. 6**



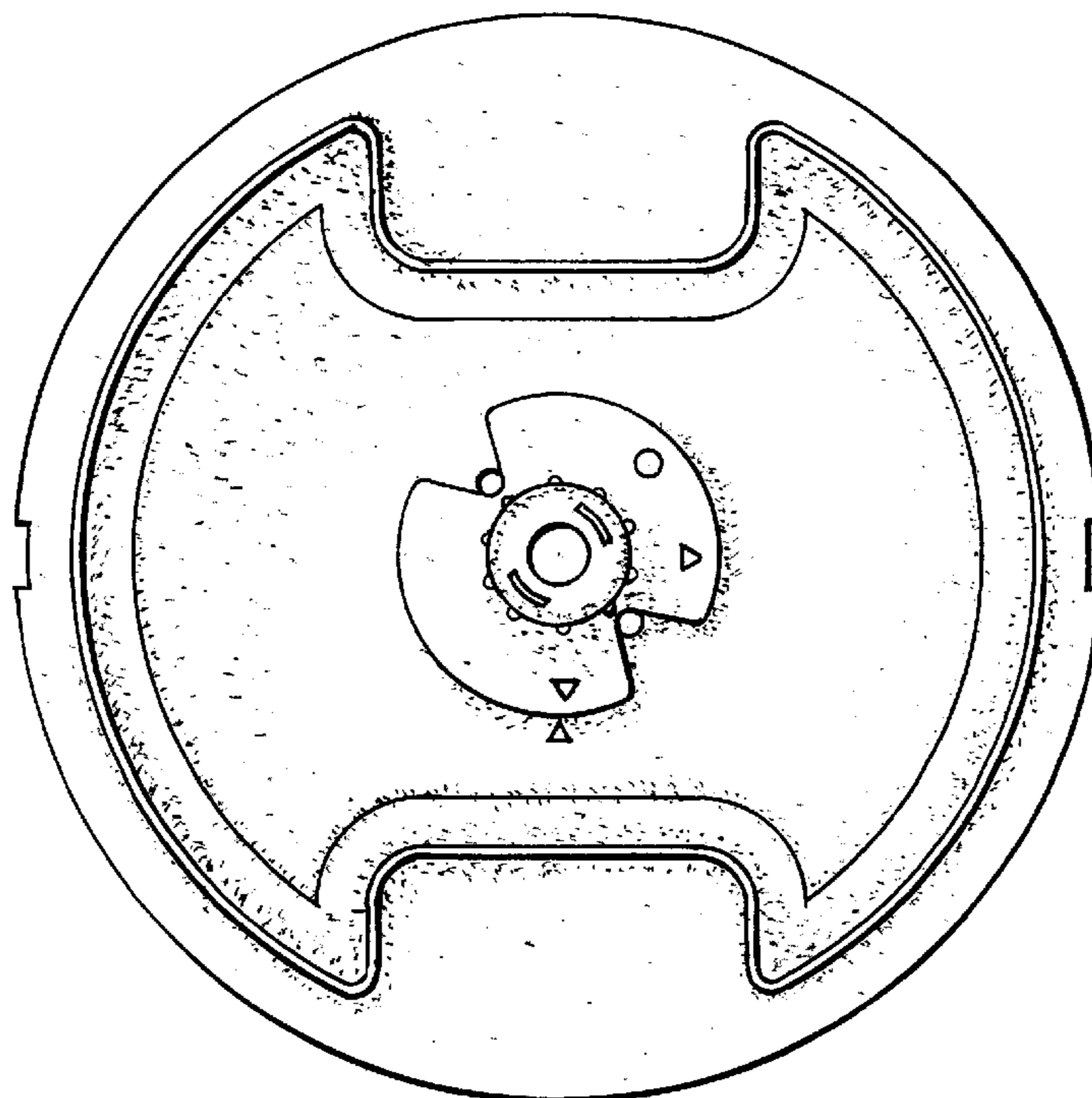
**FIG. 7**



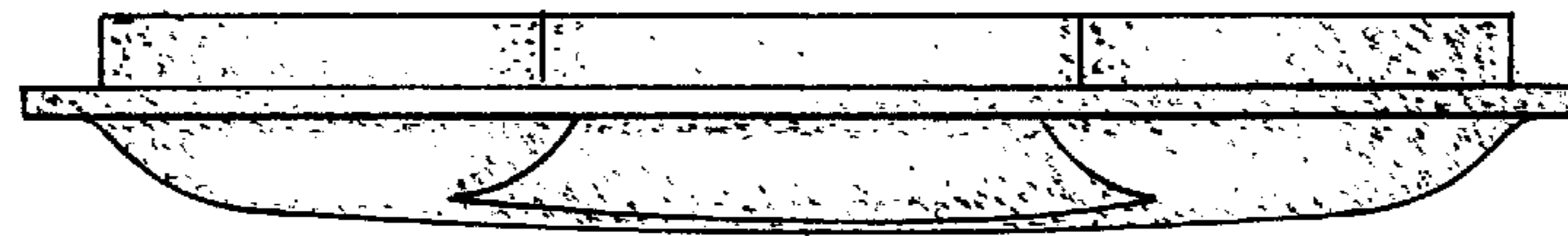
**FIG. 8**



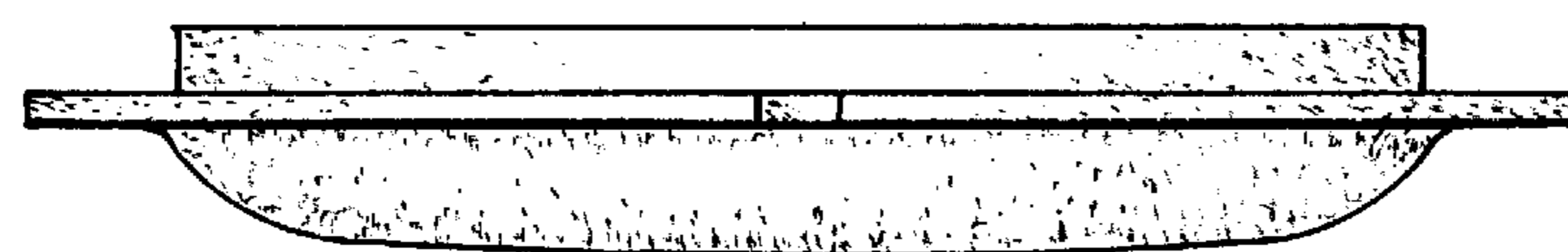
**FIG. 9**



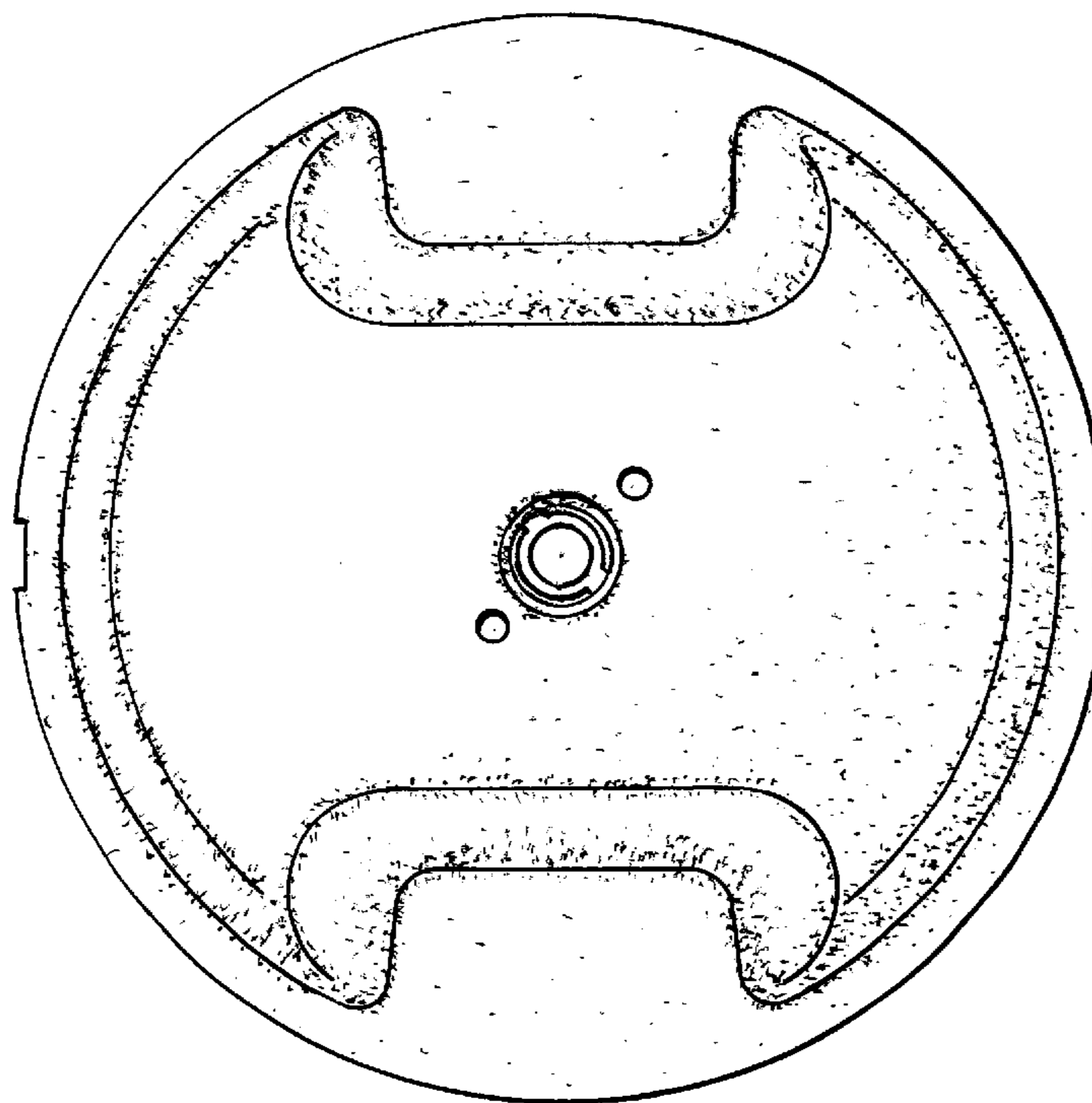
**FIG. 10**



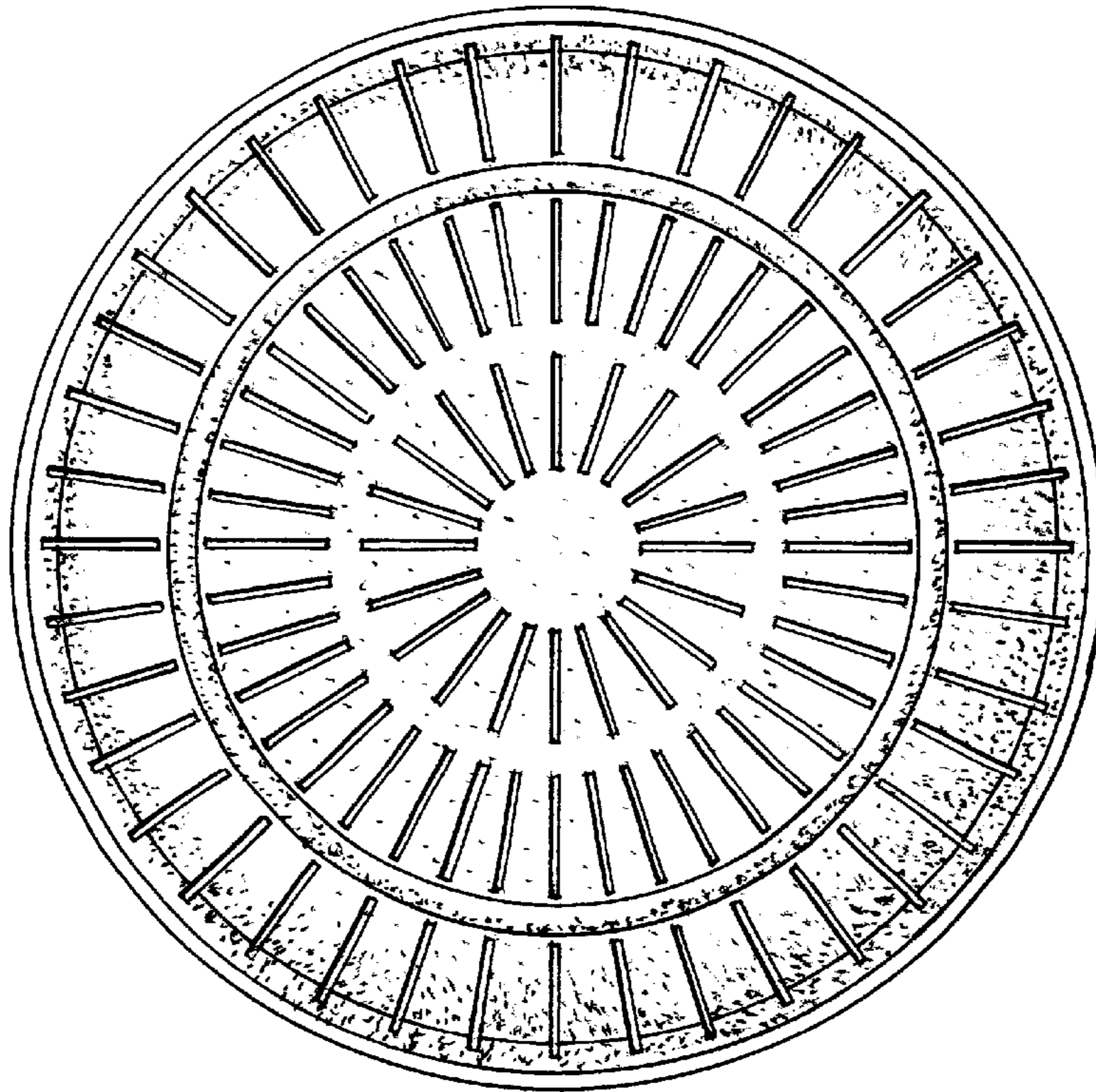
**FIG. 11**



**FIG. 12**



**FIG. 13**



**FIG. 14**

