



US00D530561S

(12) **United States Design Patent**  
**Kim**

(10) **Patent No.:** **US D530,561 S**

(45) **Date of Patent:** **\*\* \*Oct. 24, 2006**

(54) **MICROWAVE OVEN**

(75) Inventor: **Tae Kyung Kim**, Seoul (KR)

(73) Assignee: **Samsung Electronics Co., Ltd.** (KR)

(\*) Notice: This patent is subject to a terminal disclaimer.

(\*\*) Term: **14 Years**

(21) Appl. No.: **29/224,045**

(22) Filed: **Feb. 24, 2005**

(30) **Foreign Application Priority Data**

Jan. 24, 2005 (KR) ..... 30-2005-0002160

(51) **LOC (8) Cl.** ..... **07-02**

(52) **U.S. Cl.** ..... **D7/351**

(58) **Field of Classification Search** ..... D7/350.1,  
D7/350.2, 350.3, 350.4, 351, 402-403, 405-406;  
126/19 M, 275 E, 273 A; 219/756-758, 391,  
219/402, 393; 99/DIG. 14

See application file for complete search history.

(56) **References Cited**

**U.S. PATENT DOCUMENTS**

D248,008 S \* 5/1978 Wojtowicz et al. .... D7/351

D305,600 S \* 1/1990 Iwahashi ..... D7/351

D310,150 S \* 8/1990 Ichihara et al. .... D7/351

D329,569 S \* 9/1992 Ichihara et al. .... D7/351

D330,144 S \* 10/1992 Takebata et al. .... D7/351

D463,198 S \* 9/2002 Nishikawa ..... D7/351

D468,579 S \* 1/2003 Sakai et al. .... D7/351

\* cited by examiner

*Primary Examiner*—Ruth McInroy

(74) *Attorney, Agent, or Firm*—Irving Keschner

(57) **CLAIM**

The ornamental design for microwave oven, as shown.

**DESCRIPTION**

FIG. 1 is a perspective view of the ornamental design of the present invention;

FIG. 2 is a front elevational view of the ornamental design of the present invention;

FIG. 3 is a rear elevational view of the ornamental design of the present invention;

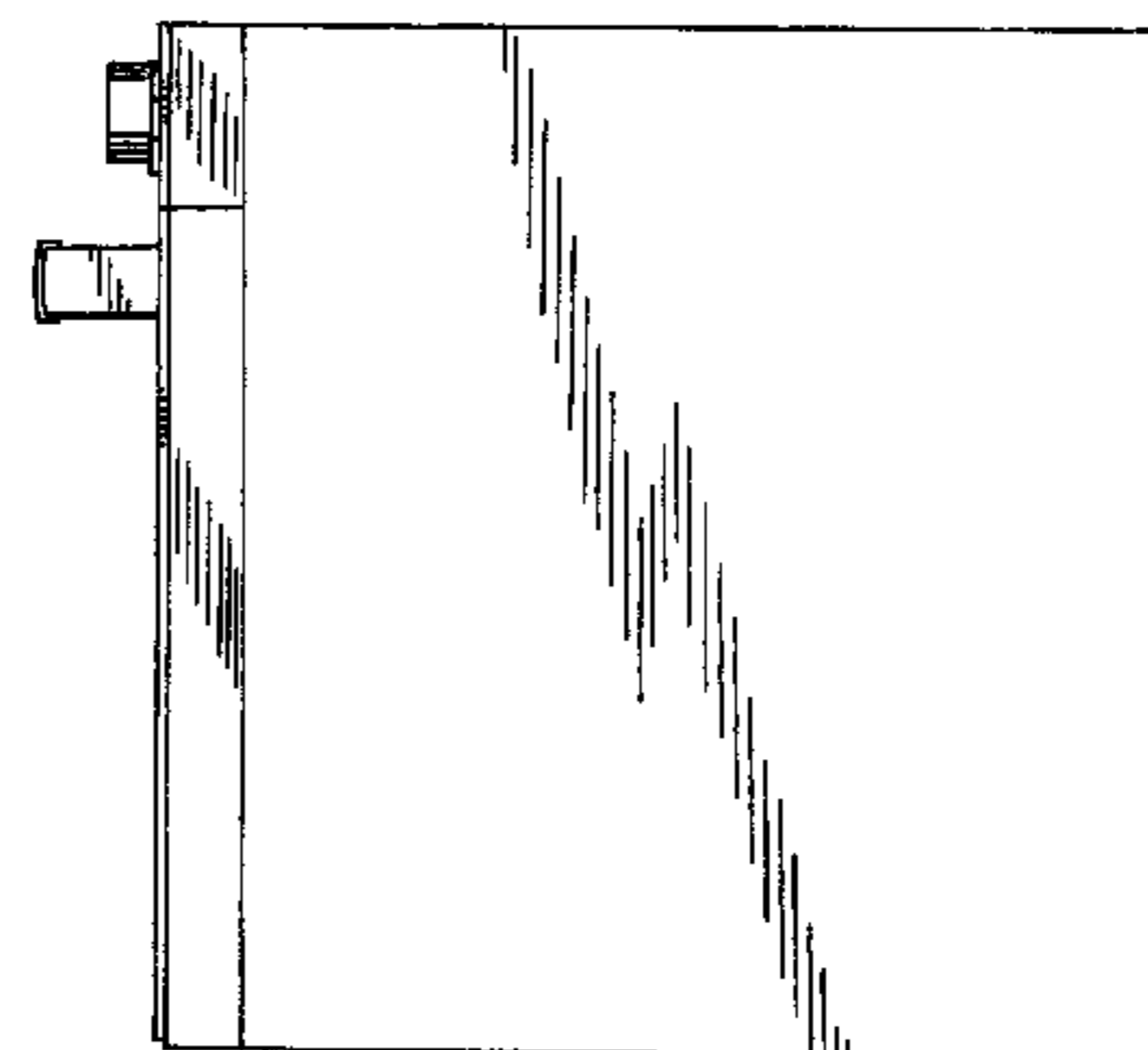
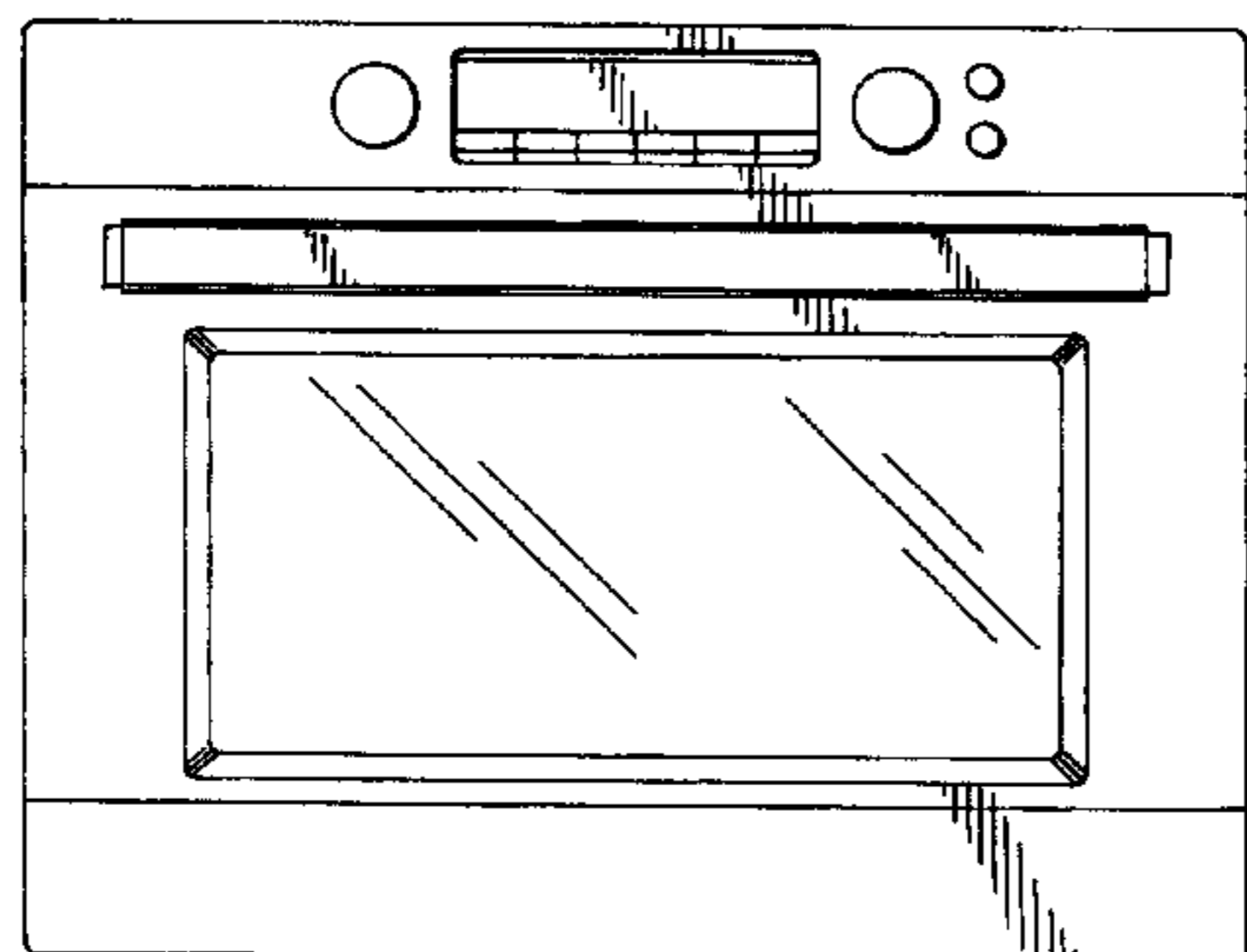
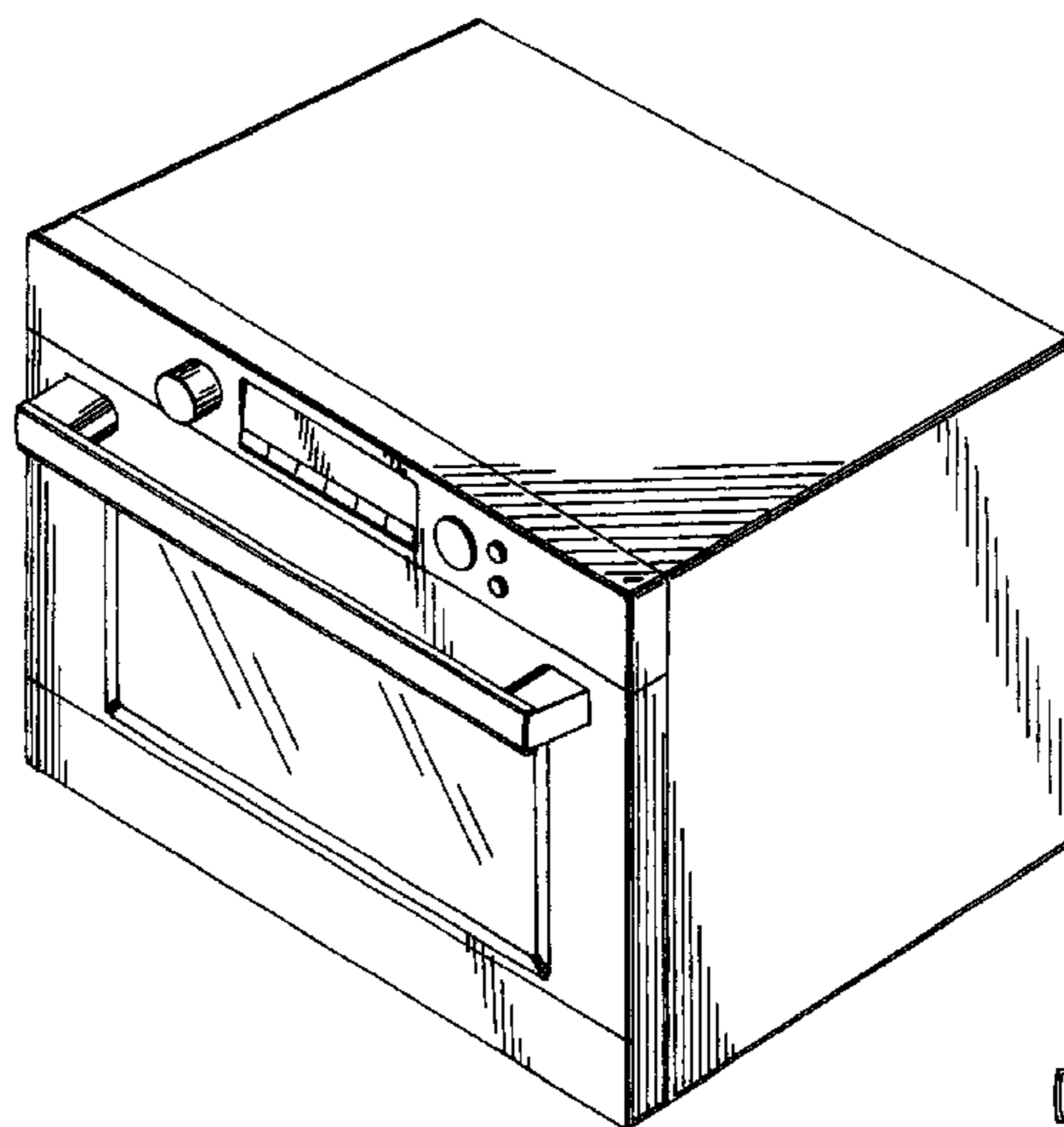
FIG. 4 is a left side elevational view of the ornamental design of the present invention;

FIG. 5 is a right side elevational view of the ornamental design of the present invention;

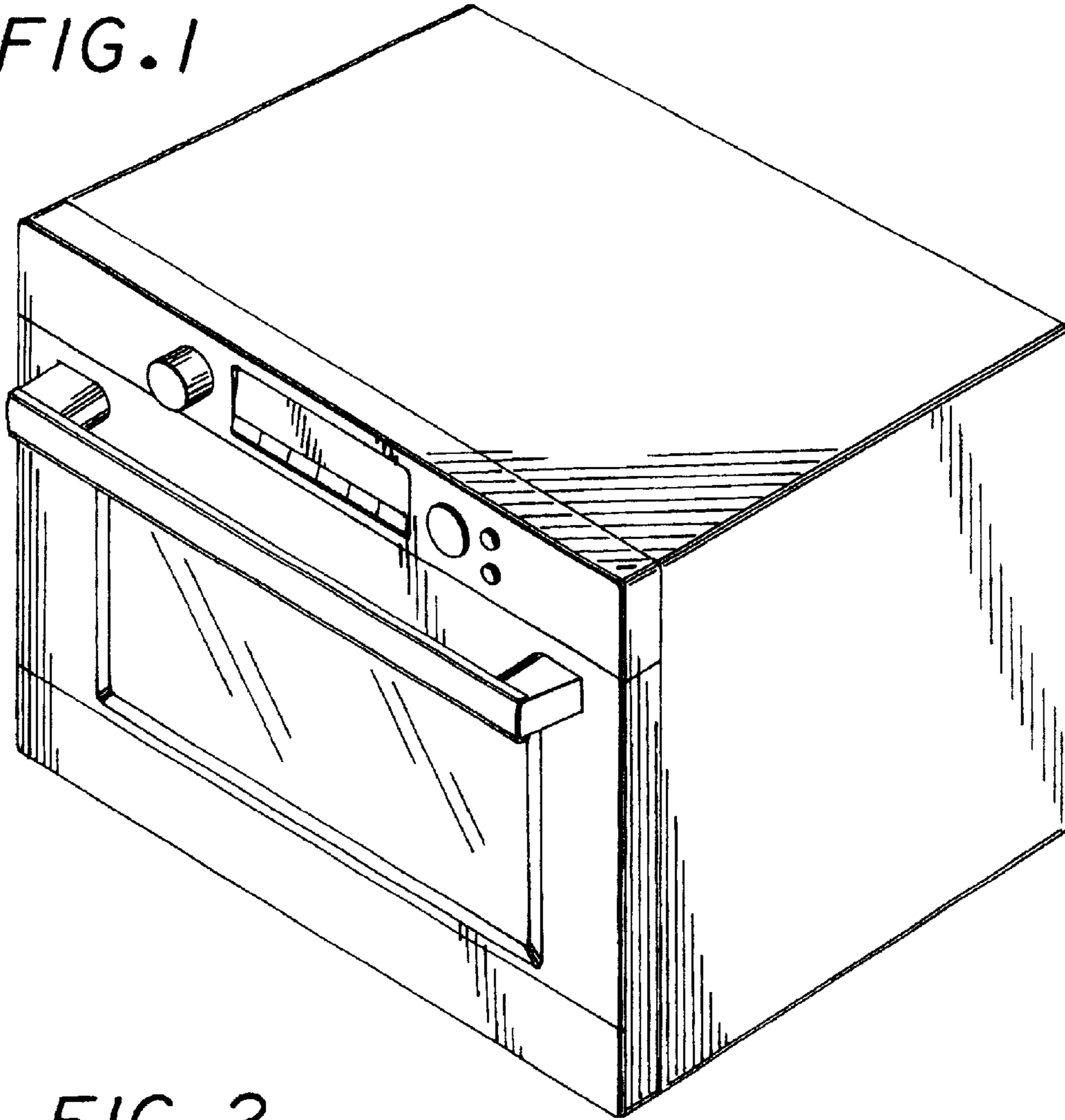
FIG. 6 is a top plan view of the ornamental design of the present invention; and,

FIG. 7 is a bottom view of the ornamental design of the present invention.

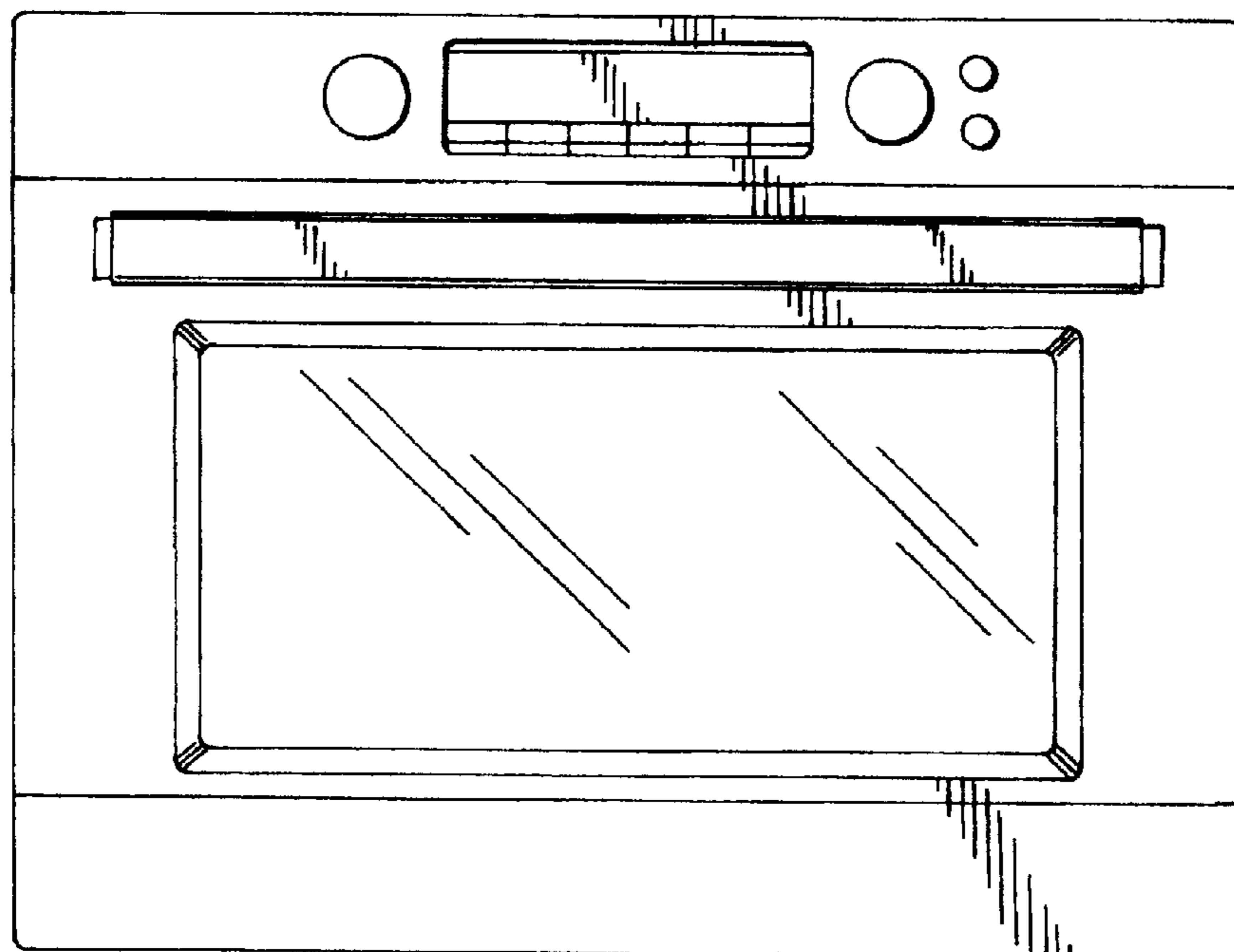
**1 Claim, 4 Drawing Sheets**



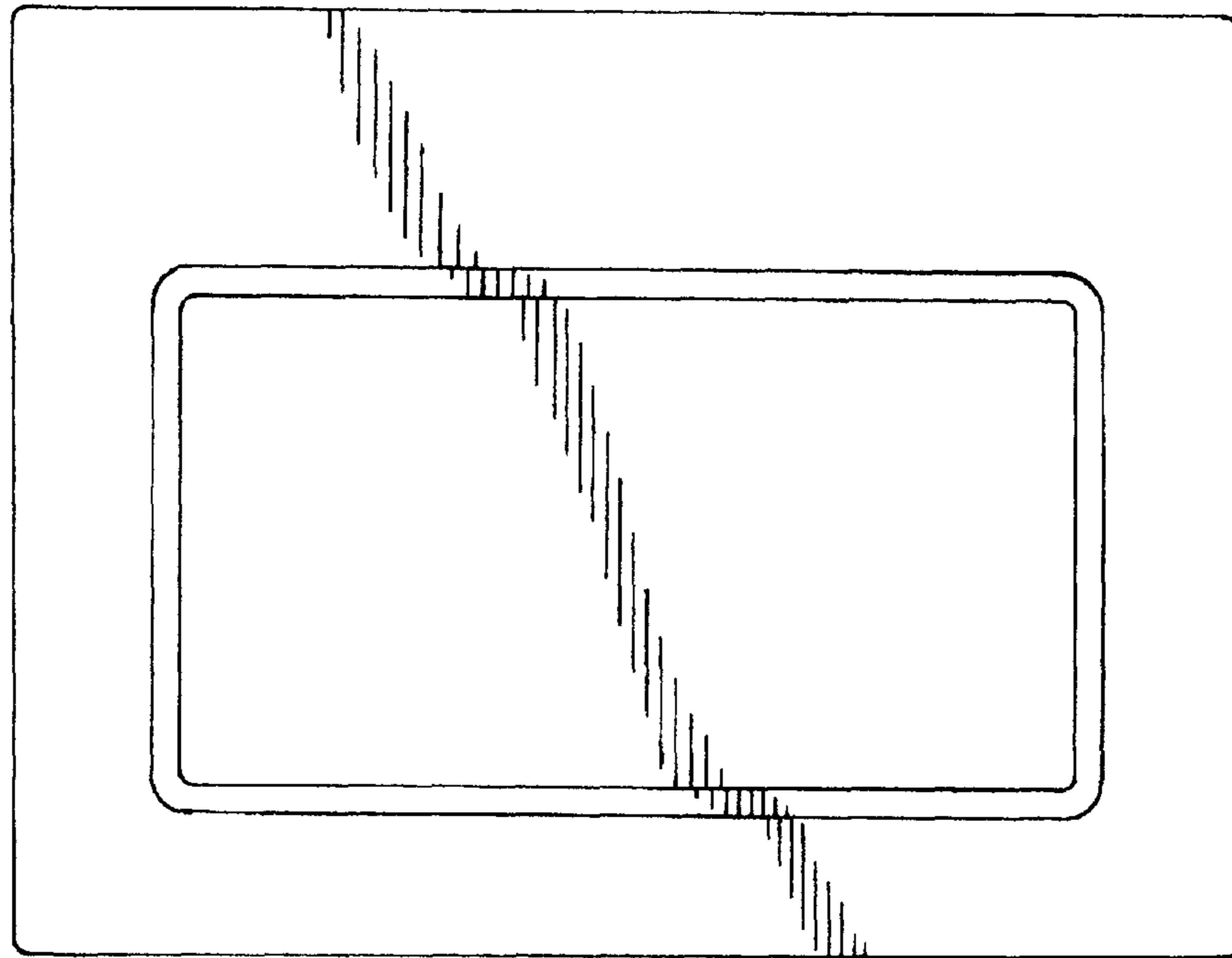
*FIG. 1*



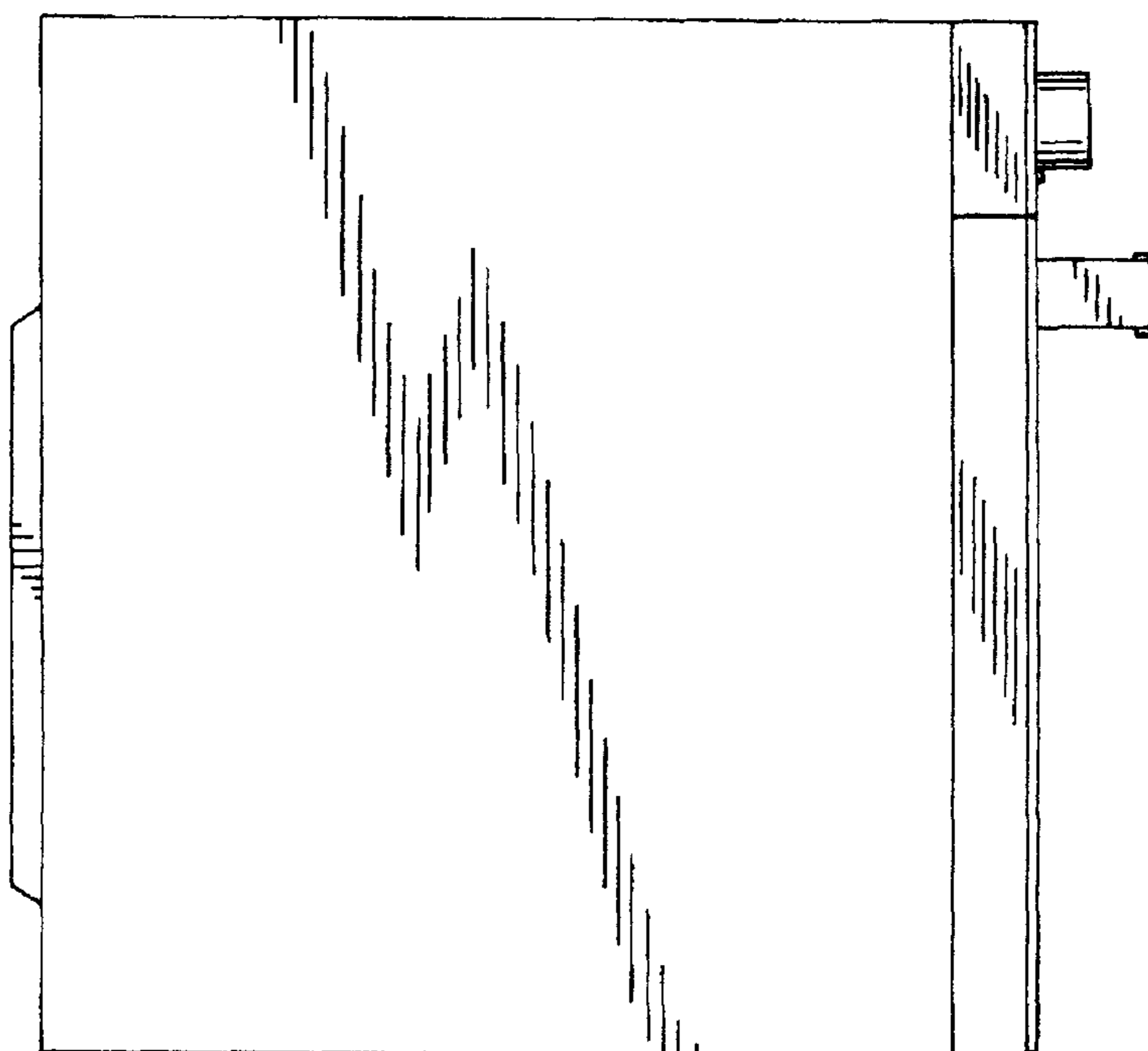
*FIG. 2*



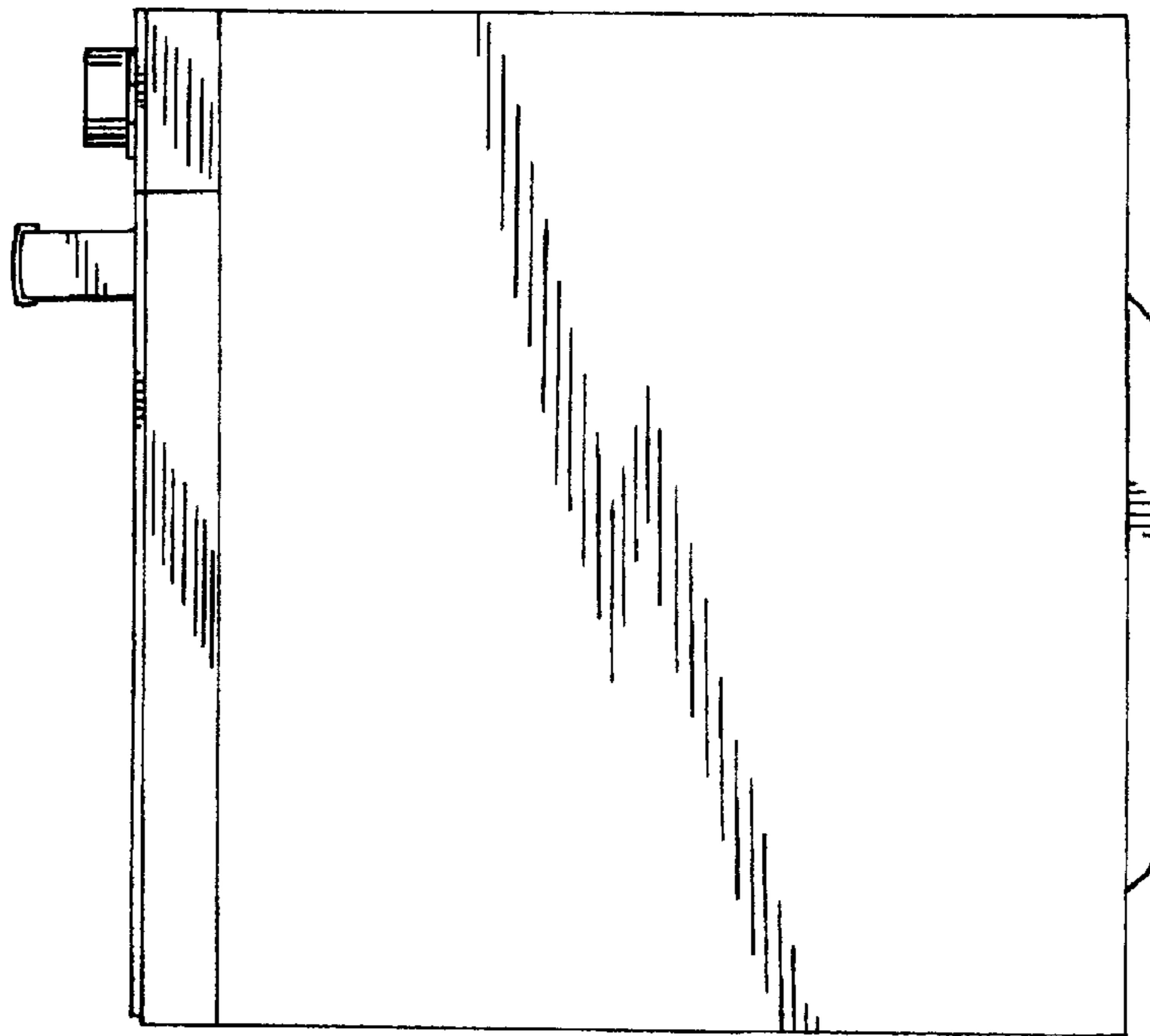
*FIG. 3*



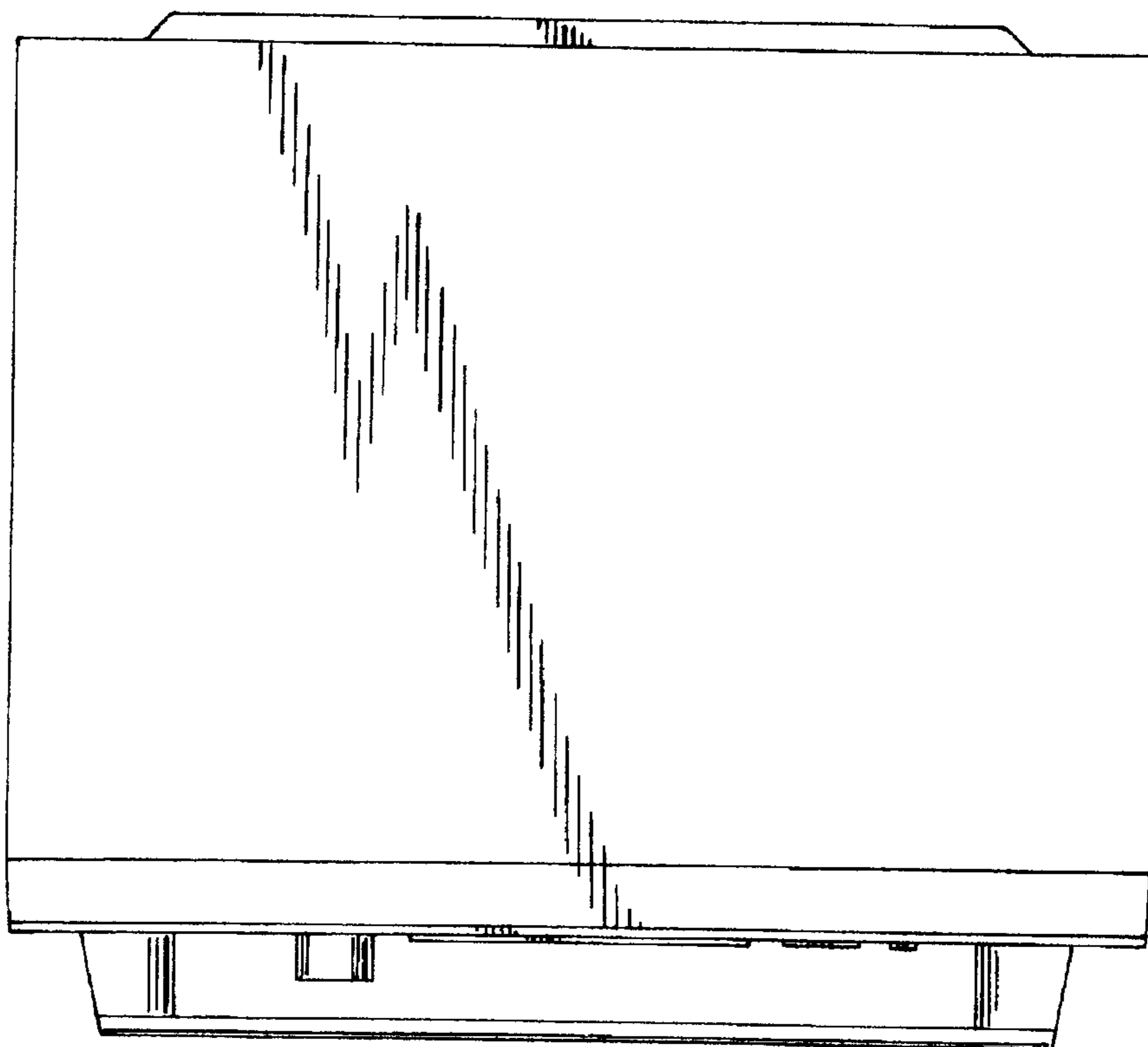
*FIG. 4*



*FIG. 5*



*FIG. 6*



*FIG. 7*

