



US00D530560S

(12) **United States Design Patent**  
**Lin**

(10) **Patent No.:** **US D530,560 S**

(45) **Date of Patent:** **\*\* Oct. 24, 2006**

(54) **COFFEE MAKER**

(75) Inventor: **Yu-Yuan Lin**, Tainan (TW)

(73) Assignee: **Uni-Splendor Corp.**, Tainan (TW)

(\*\*) Term: **14 Years**

(21) Appl. No.: **29/217,668**

(22) Filed: **Nov. 19, 2004**

(51) **LOC (8) Cl.** ..... **07-01**

(52) **U.S. Cl.** ..... **D7/309; D7/311**

(58) **Field of Classification Search** ..... D7/309-311,  
D7/300, 306; 222/129.1, 82; 99/323, 295,  
99/302 R, 306, 304, 280, 293

See application file for complete search history.

(56) **References Cited**

**U.S. PATENT DOCUMENTS**

D439,103 S	*	3/2001	Cruz	.....	D7/309
D446,989 S	*	8/2001	Cruz	.....	D7/309
D453,656 S	*	2/2002	Byler et al.	.....	D7/309
D454,466 S	*	3/2002	Hong	.....	D7/309
D462,226 S	*	9/2002	Williamson et al.	.....	D7/309

D475,567 S \* 6/2003 Hsu ..... D7/309

D509,986 S \* 9/2005 O'Neill et al. .... D7/309

D511,066 S \* 11/2005 Garner ..... D7/309

D515,347 S \* 2/2006 Reuss et al. .... D7/309

\* cited by examiner

*Primary Examiner*—M. N. Pandozzi

(74) *Attorney, Agent, or Firm*—Alan D. Kamrath; Nikolai & Mersereau, P.A.

(57) **CLAIM**

The ornamental design for a coffee maker, as shown and described.

**DESCRIPTION**

FIG. 1 is a perspective view of a coffee maker showing my new design;

FIG. 2 is a front elevational view thereof;

FIG. 3 is a rear elevational view thereof;

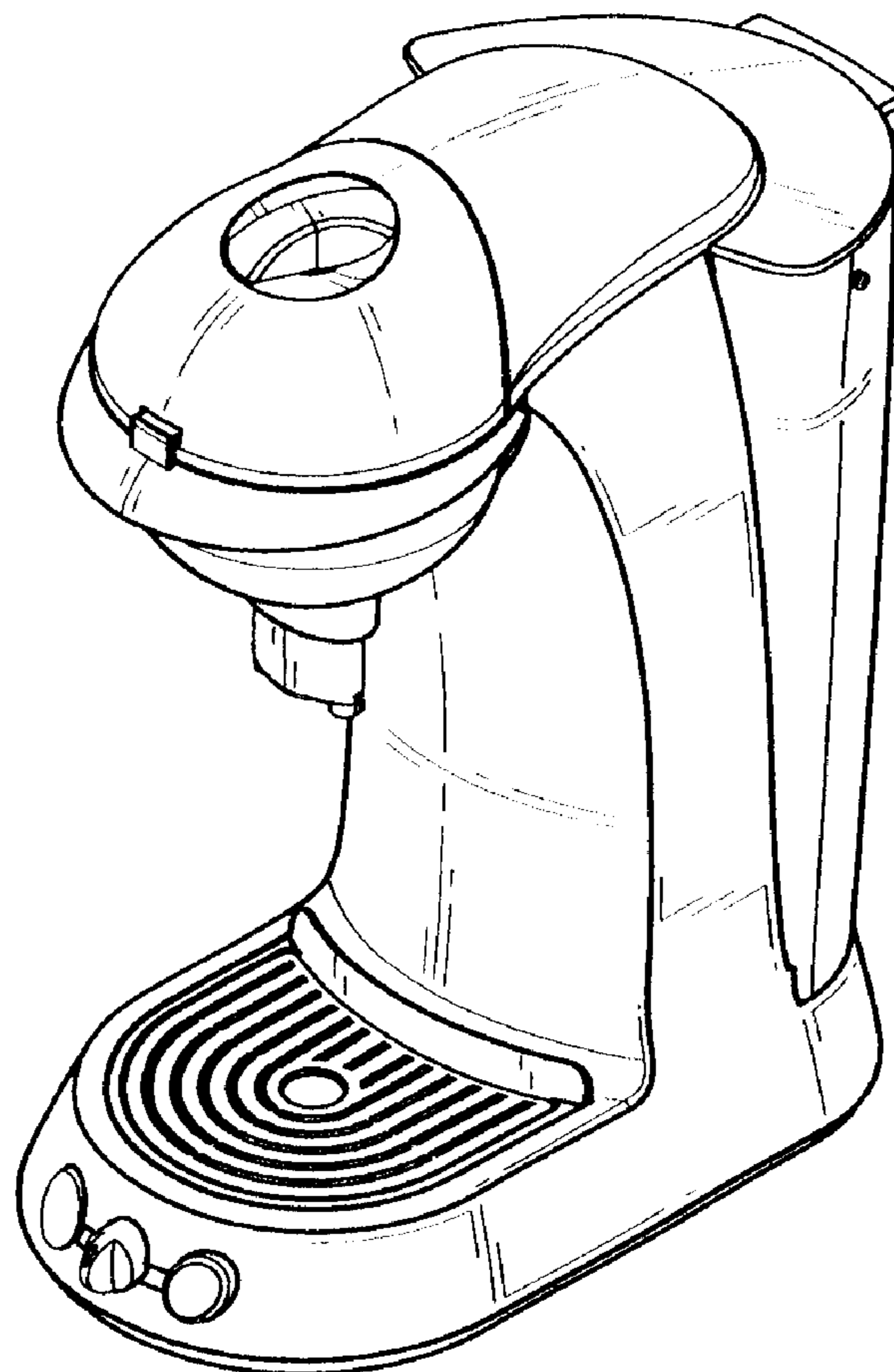
FIG. 4 is a left side elevational view thereof;

FIG. 5 is a right side elevational view thereof;

FIG. 6 is a top plan view thereof; and,

FIG. 7 is a bottom plan view thereof.

**1 Claim, 3 Drawing Sheets**



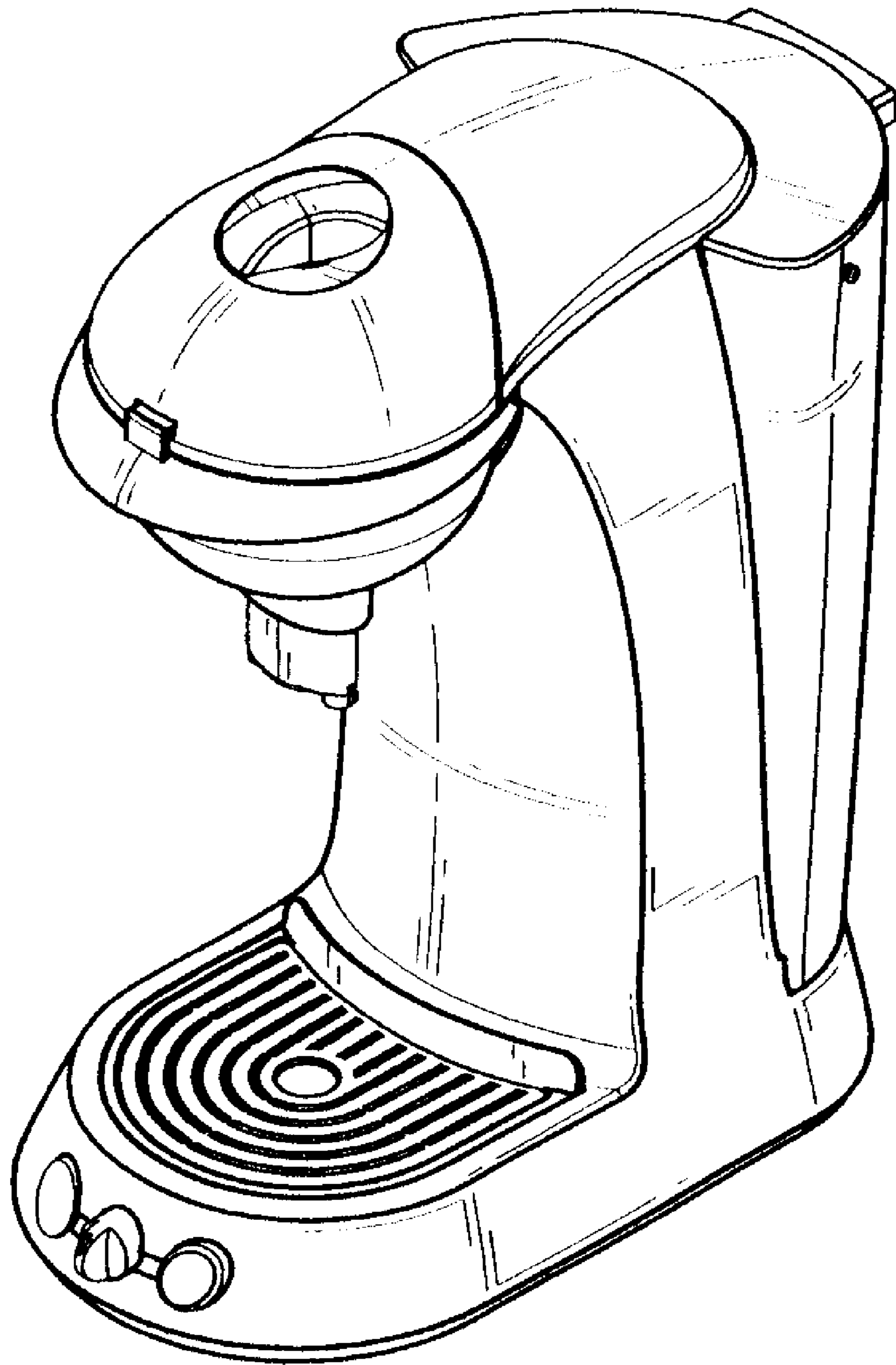


FIG. 1

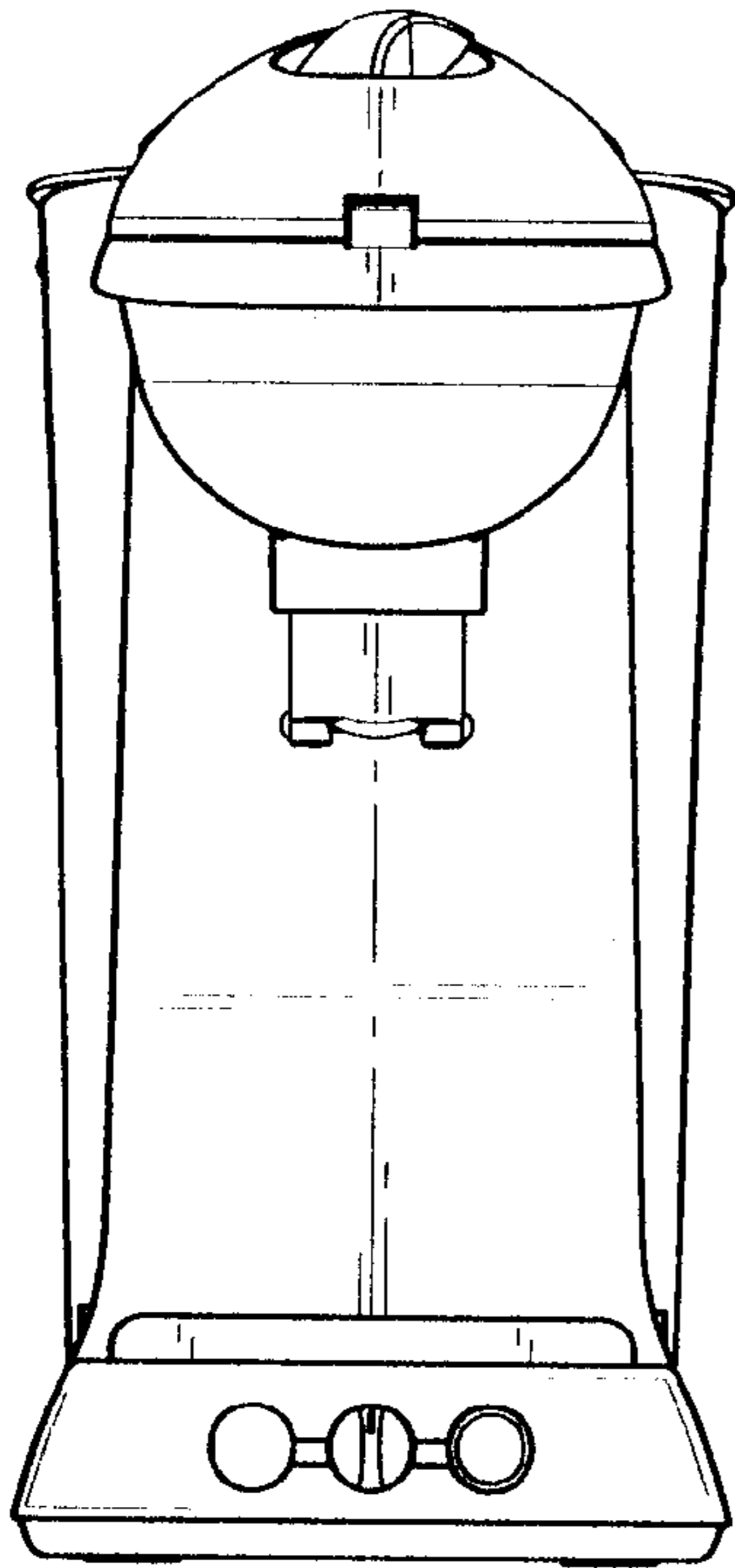


FIG. 2

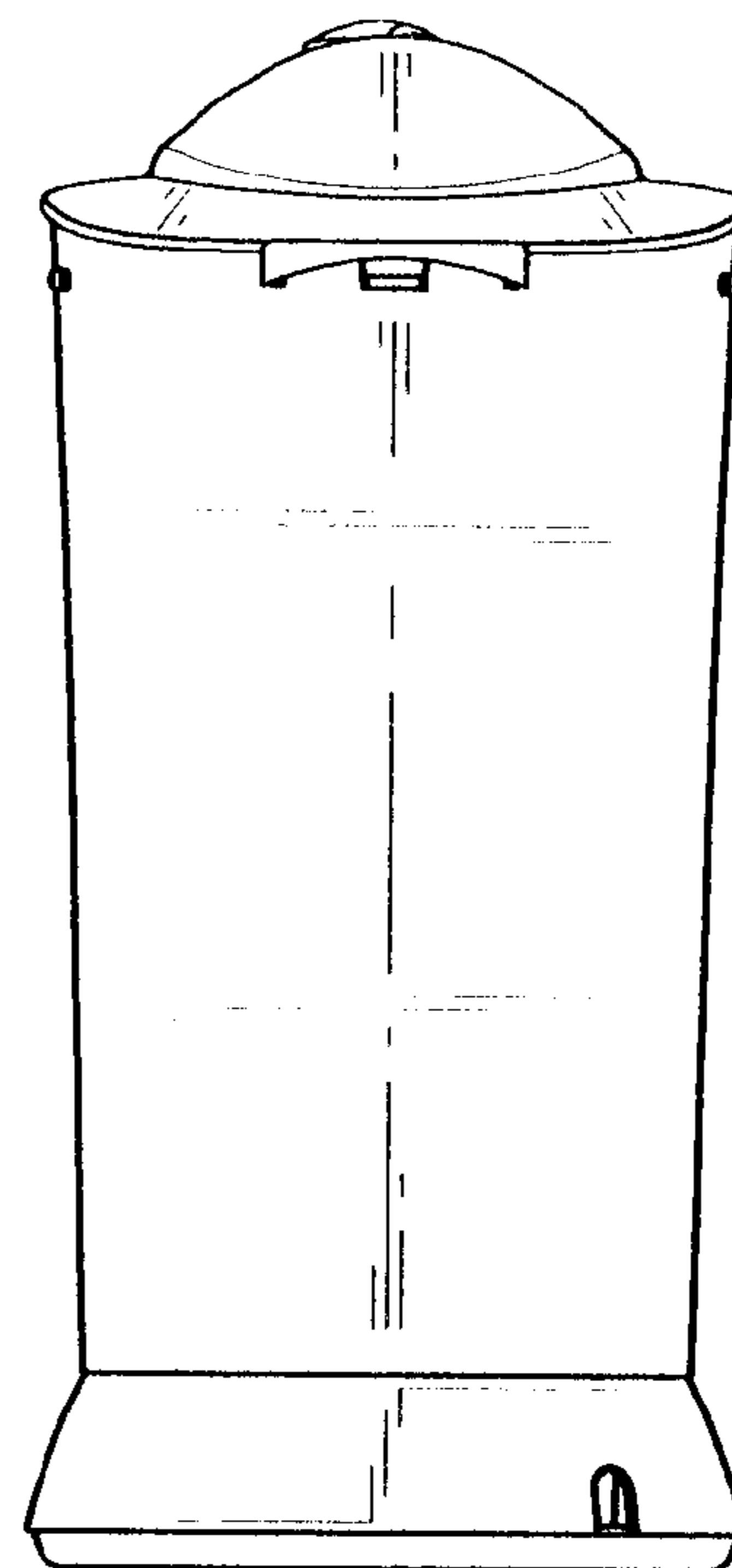


FIG. 3

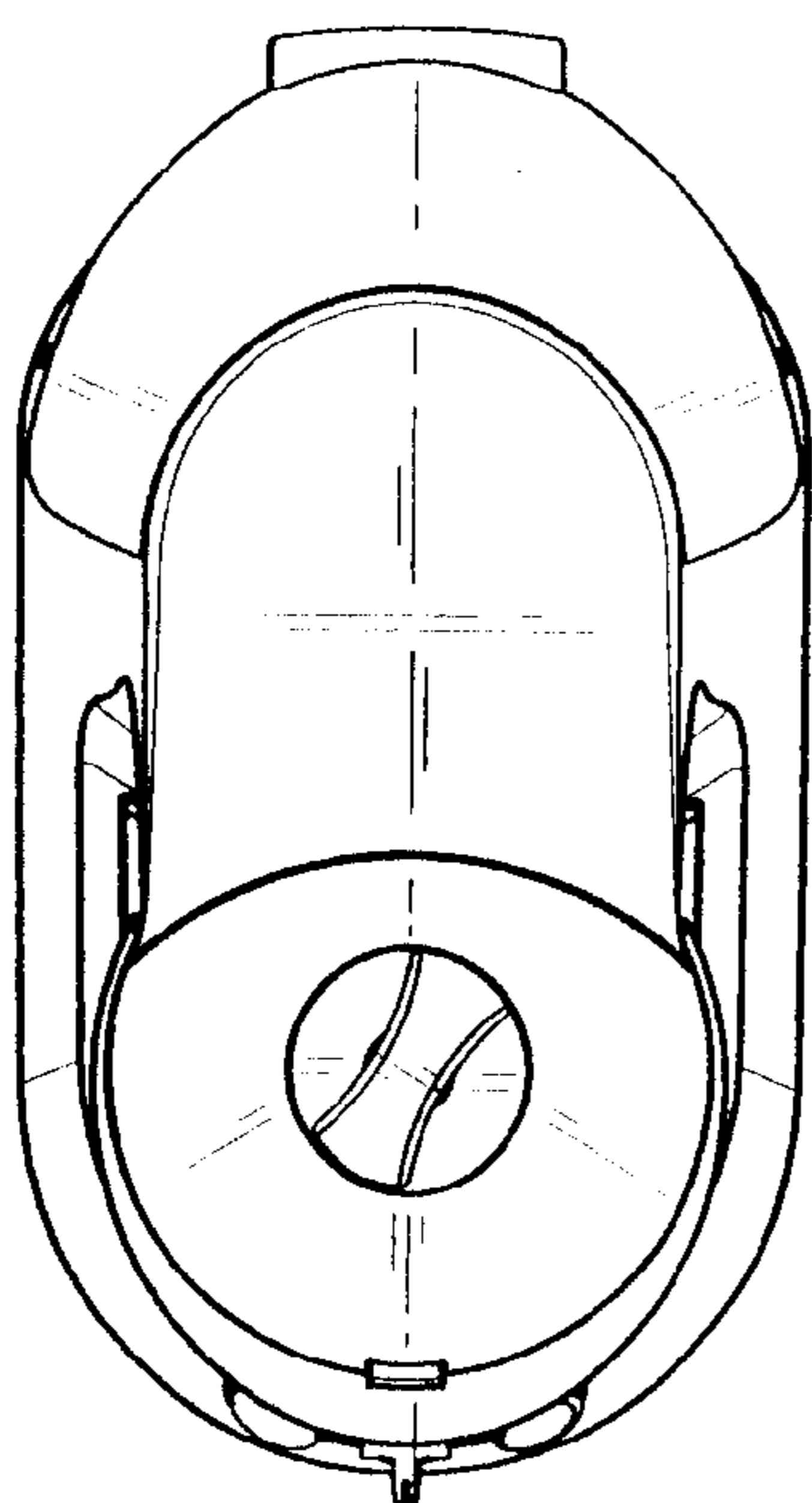


FIG. 6

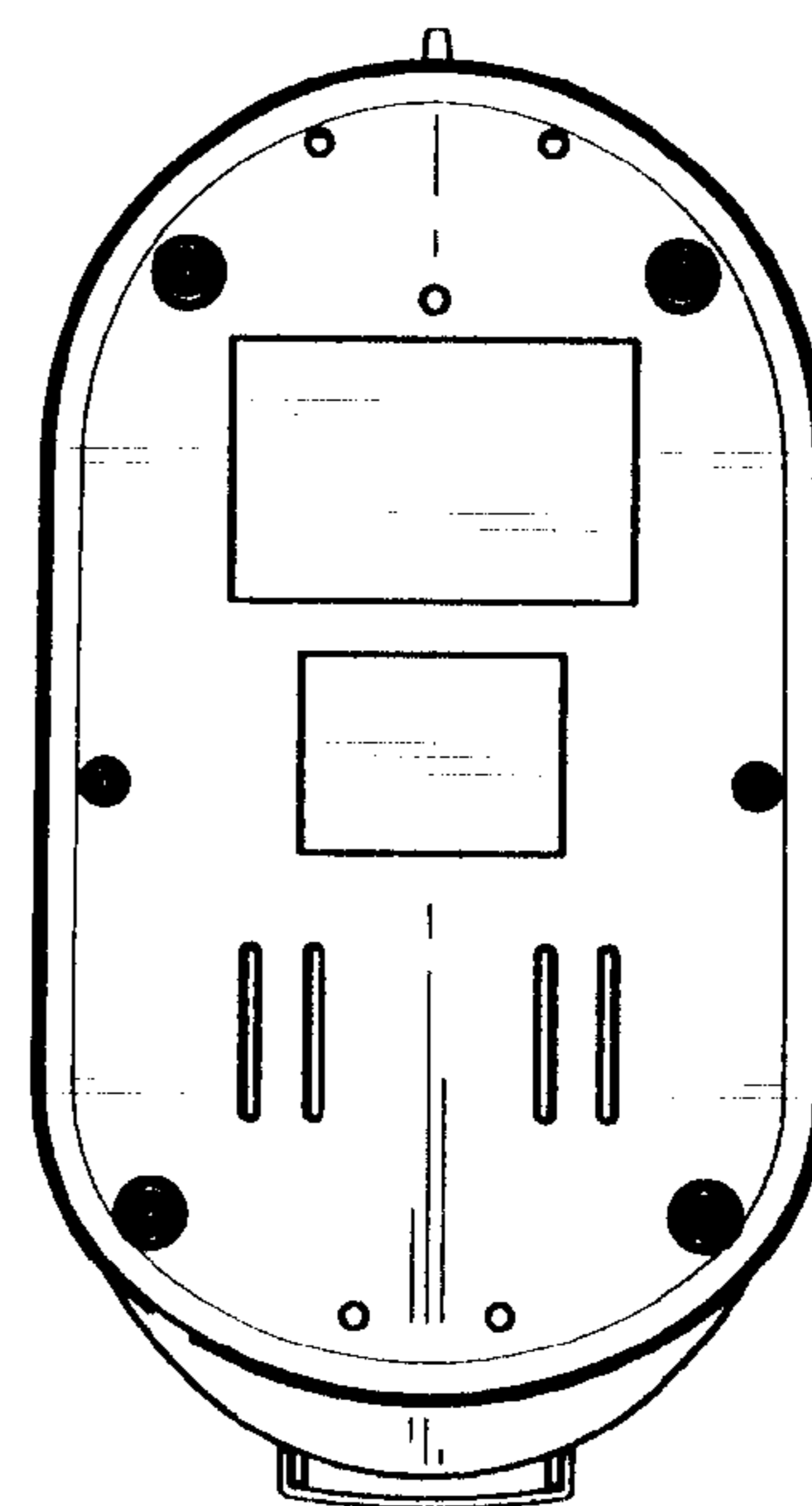


FIG. 7

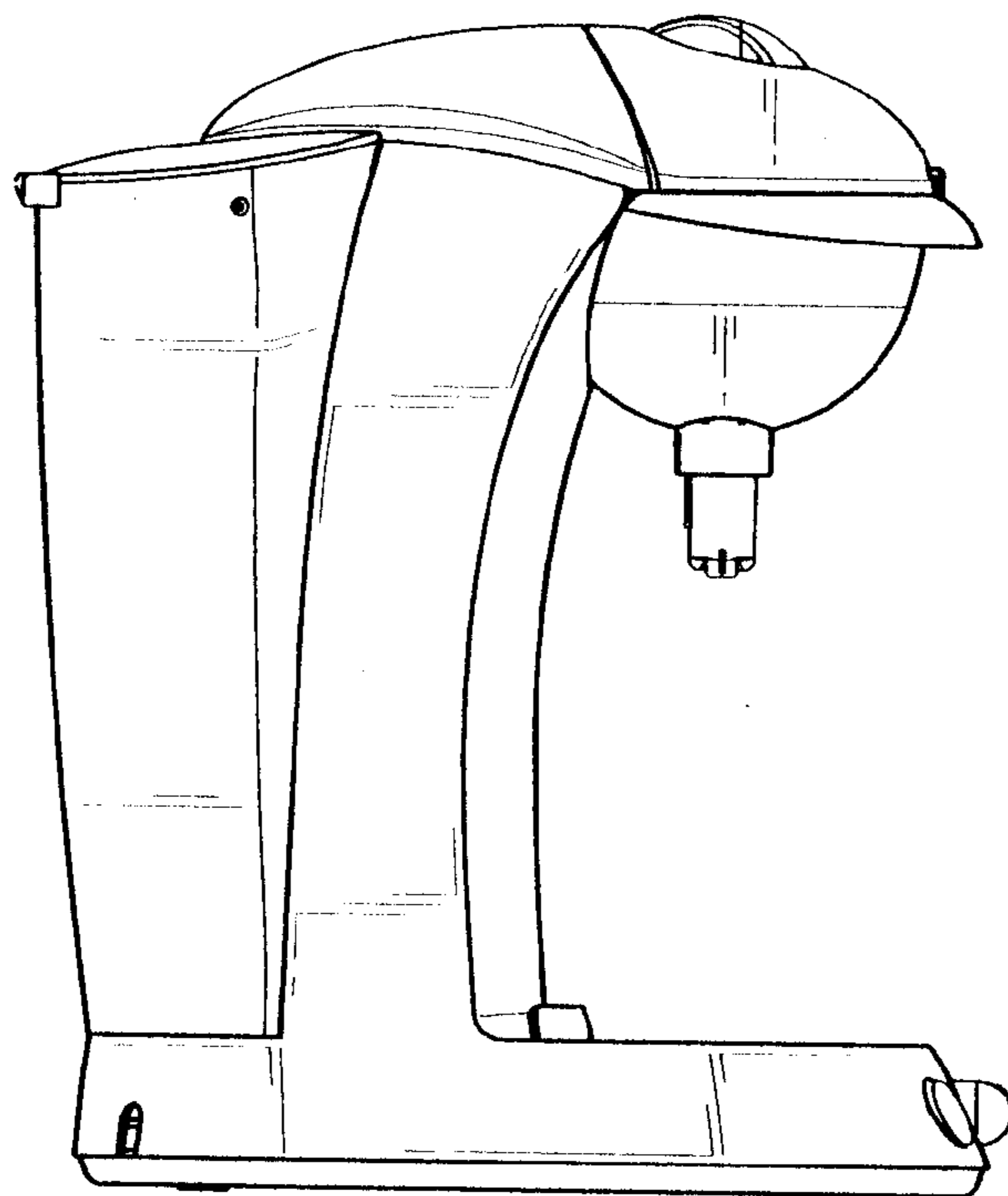


FIG. 4

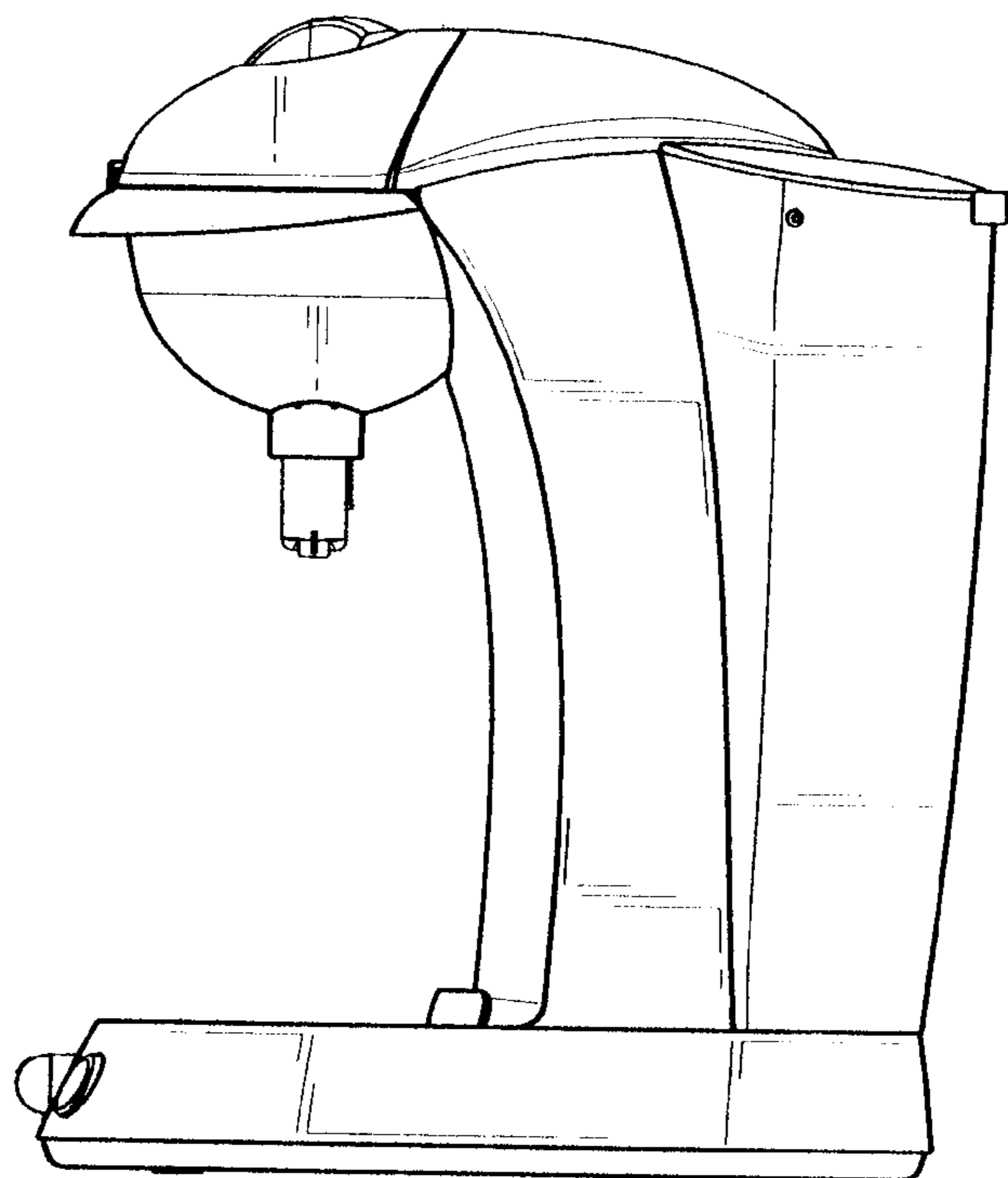


FIG. 5