



US00D530558S

(12) **United States Design Patent**
Damiano

(10) **Patent No.:** **US D530,558 S**

(45) **Date of Patent:** **** Oct. 24, 2006**

(54) **LADDER DRUM FOR A HORIZONTAL
BLIND ASSEMBLY**

(75) **Inventor:** **Anthony B. Damiano**, Pembroke Pines,
FL (US)

(73) **Assignee:** **RMG Industries, Inc.**, Miami, FL (US)

(**) **Term:** **14 Years**

(21) **Appl. No.:** **29/242,947**

(22) **Filed:** **Nov. 16, 2005**

(51) **LOC (8) Cl.** **06-10**

(52) **U.S. Cl.** **D6/580**

(58) **Field of Classification Search** D6/575-580;
160/176.1 R, 176.1 V, 168.1 R, 168.1 V,
160/173 R, 177, 349.1, 349.2; D8/354
See application file for complete search history.

(56) **References Cited**

U.S. PATENT DOCUMENTS

D357,380 S * 4/1995 Fraser D6/580
5,638,882 A * 6/1997 Morris 160/176.1 R

6,189,596 B1 * 2/2001 Chen 160/176.1 R
6,530,415 B1 * 3/2003 Wu 160/168.1 R
6,561,252 B1 * 5/2003 Anderson et al. 160/176.1 R
D486,987 S * 2/2004 Tyner D6/580

* cited by examiner

Primary Examiner—Holly Baynham

Assistant Examiner—Cynthia M. Chin

(74) *Attorney, Agent, or Firm*—Robert M. Downey, PA

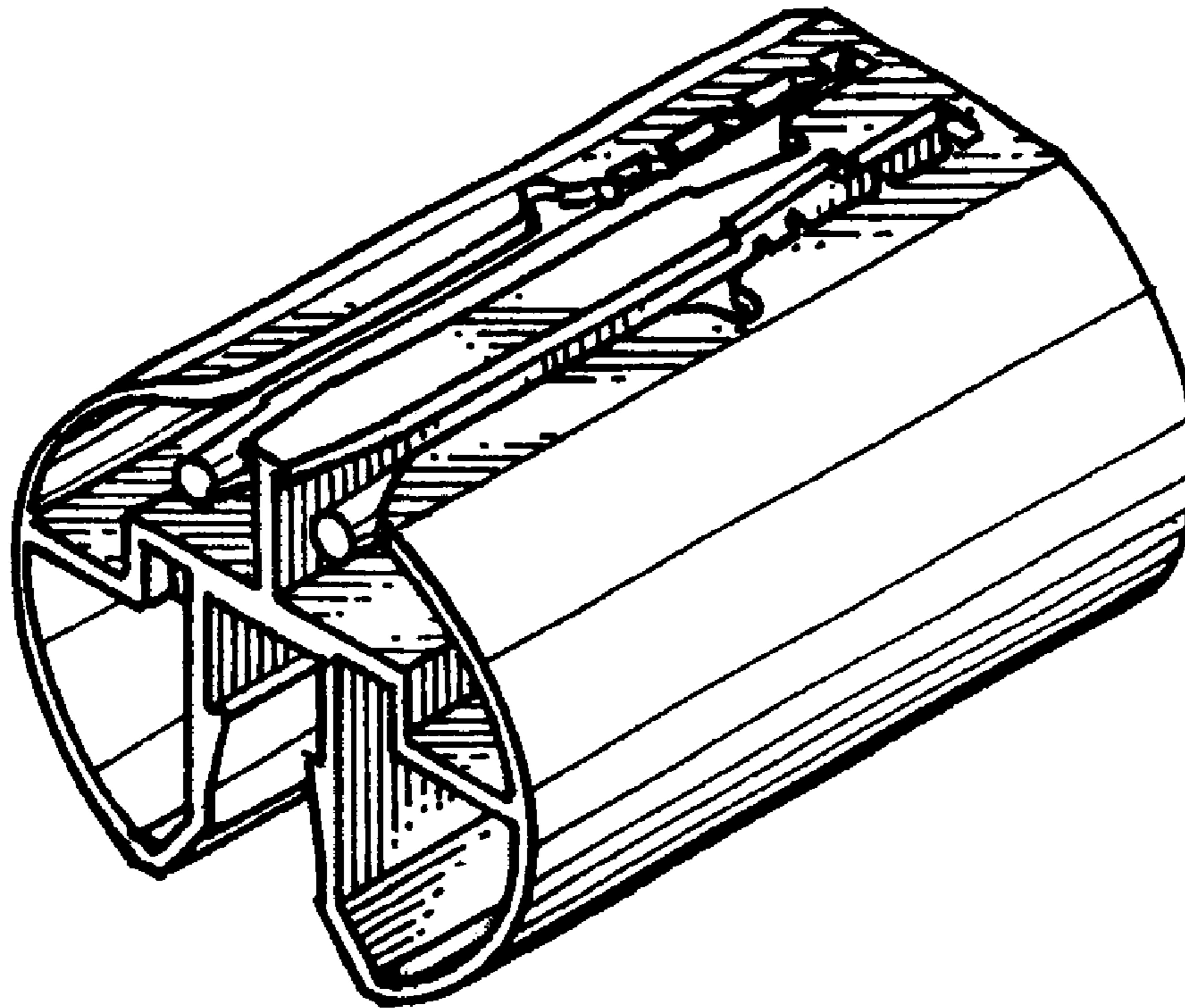
(57) **CLAIM**

The ornamental design for a ladder drum for a horizontal
blind assembly, as shown and described.

DESCRIPTION

FIG. 1 is a top perspective view of a ladder drum for a
horizontal blind assembly showing my new design;
FIG. 2 is a top plan view thereof;
FIG. 3 is a bottom plan view thereof;
FIG. 4 is a left side elevational view thereof;
FIG. 5 is a right side elevational view thereof; and,
FIG. 6 is a front elevational view thereof, the rear elevational
view being a mirror image thereof.

1 Claim, 1 Drawing Sheet



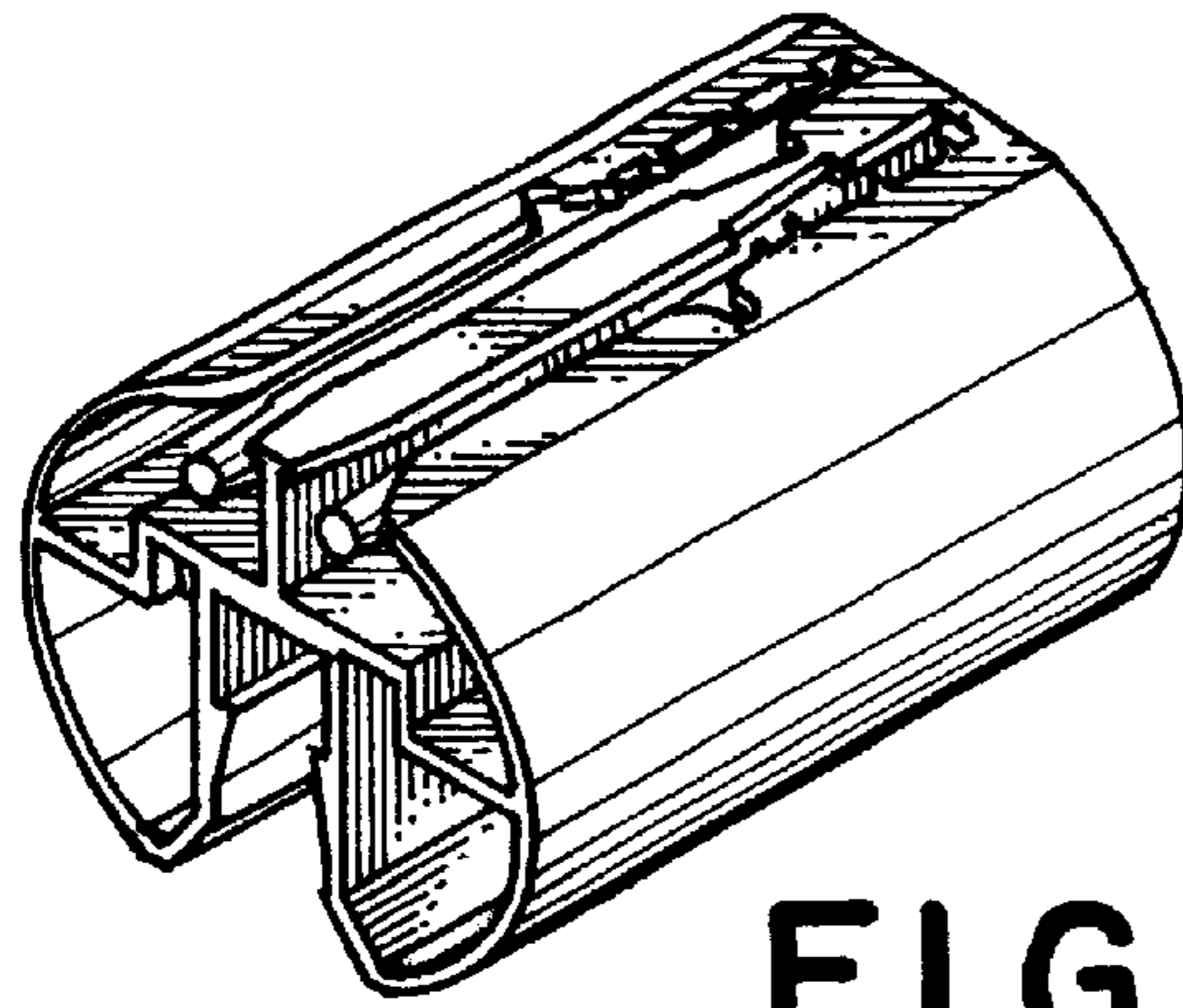


FIG. 1

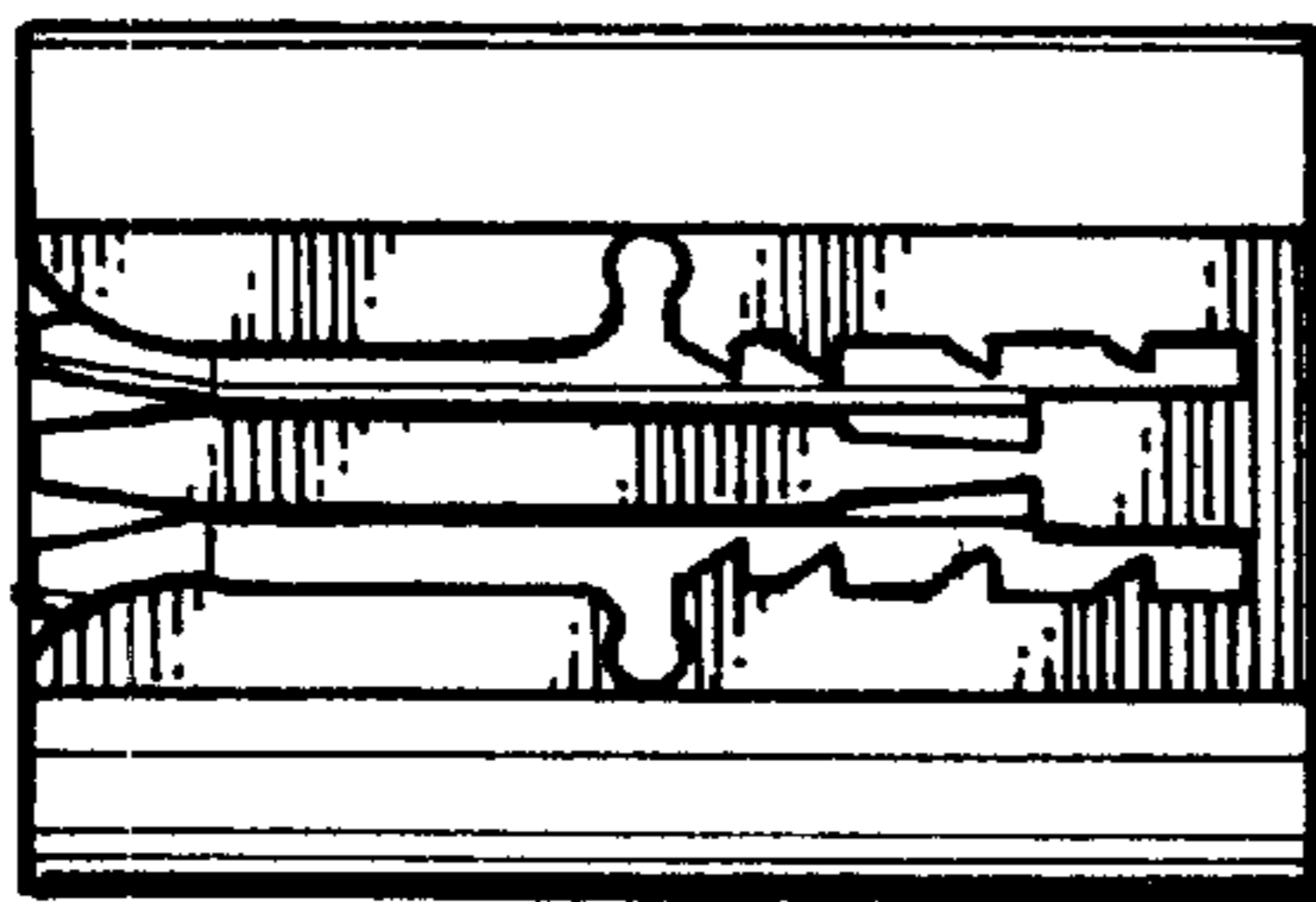


FIG. 2

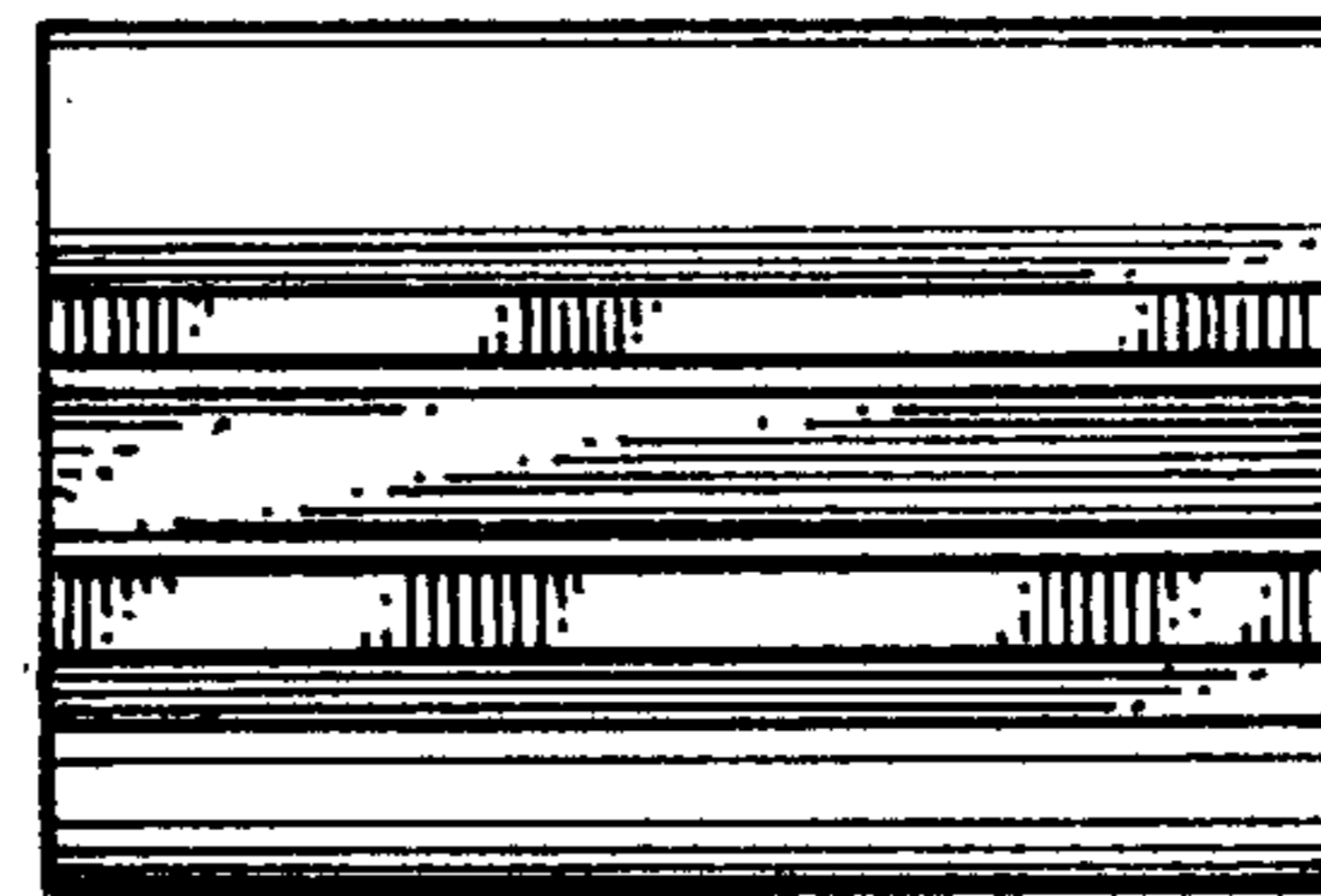


FIG. 3

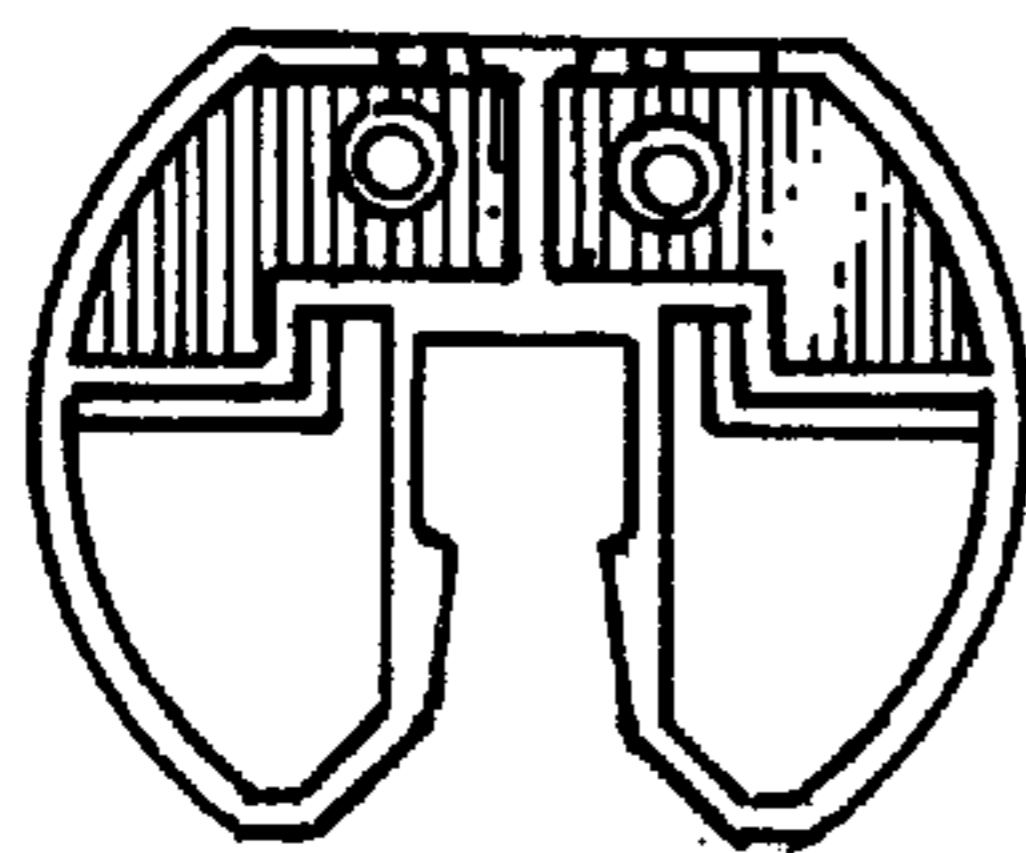


FIG. 4

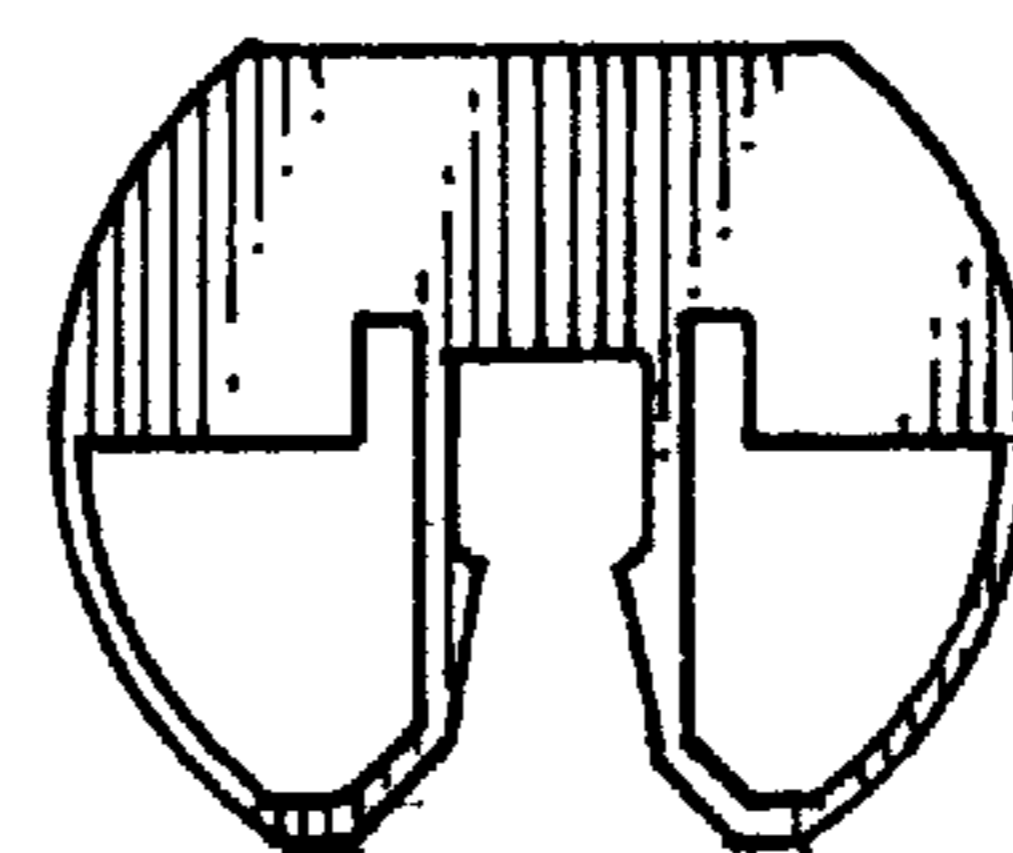


FIG. 5

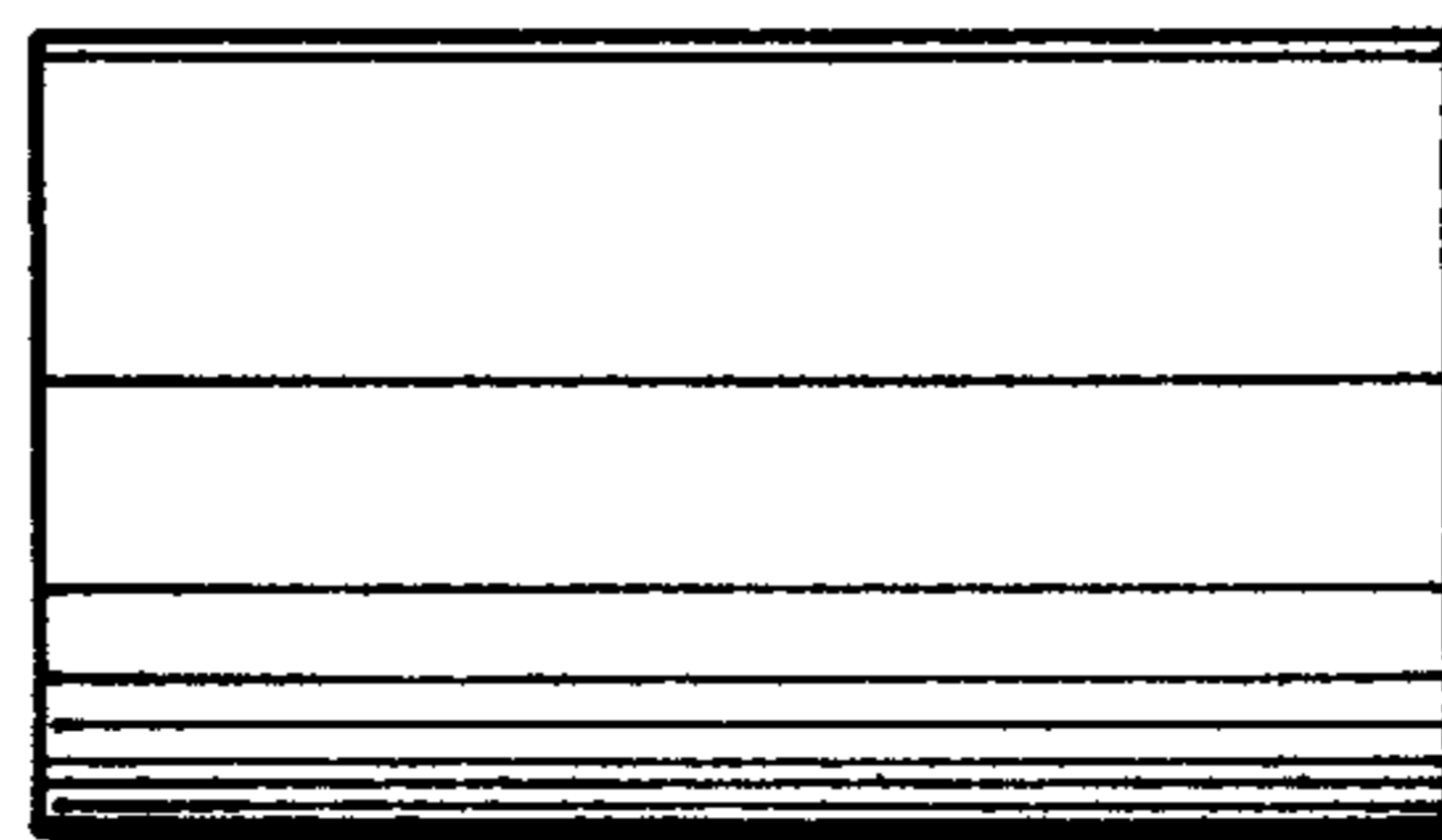


FIG. 6