



US00D530557S

(12) **United States Design Patent**
Gilbert

(10) **Patent No.:** **US D530,557 S**

(45) **Date of Patent:** **** Oct. 24, 2006**

(54) **POST**

(75) **Inventor:** **Christopher Jon Gilbert**, Moreland Hills, OH (US)

(73) **Assignee:** **Moen Incorporated**, North Olmsted, OH (US)

(**) **Term:** **14 Years**

(21) **Appl. No.:** **29/235,636**

(22) **Filed:** **Aug. 4, 2005**

(51) **LOC (8) Cl.** **23-02**

(52) **U.S. Cl.** **D6/550**

(58) **Field of Classification Search** D6/546-550,
D6/518-523; D8/300, 303, 315-321, 349,
D8/354, 363, 373, 380; 108/28-29; 211/13.1,
211/16, 60.1, 100, 86.01, 87.01, 88.01, 88.04,
211/105.1-105.2, 123, 182, 181.1; 248/175,
248/176.1, 251, 302, 309.1; 16/110.1, 412,
16/415; 242/570, 590, 595-598

See application file for complete search history.

(56) **References Cited**

U.S. PATENT DOCUMENTS

D96,878 S 9/1935 Williams
D329,346 S * 9/1992 McKeone et al. D6/549
D383,343 S 9/1997 Goodman
D395,567 S 6/1998 Hollinger

D409,028 S 5/1999 Goodman
D439,086 S 3/2001 Milrud et al.
D452,397 S 12/2001 Gilbert et al.
D459,929 S 7/2002 Snell
D460,650 S 7/2002 Snell
D465,366 S * 11/2002 Ouyoung D6/523
D467,456 S * 12/2002 Yen D6/549
D478,449 S * 8/2003 Hoernig D6/549
D501,748 S 2/2005 Wu

* cited by examiner

Primary Examiner—Brian N Vinson

(74) *Attorney, Agent, or Firm*—Calfee, Halter & Griswold LLP

(57) **CLAIM**

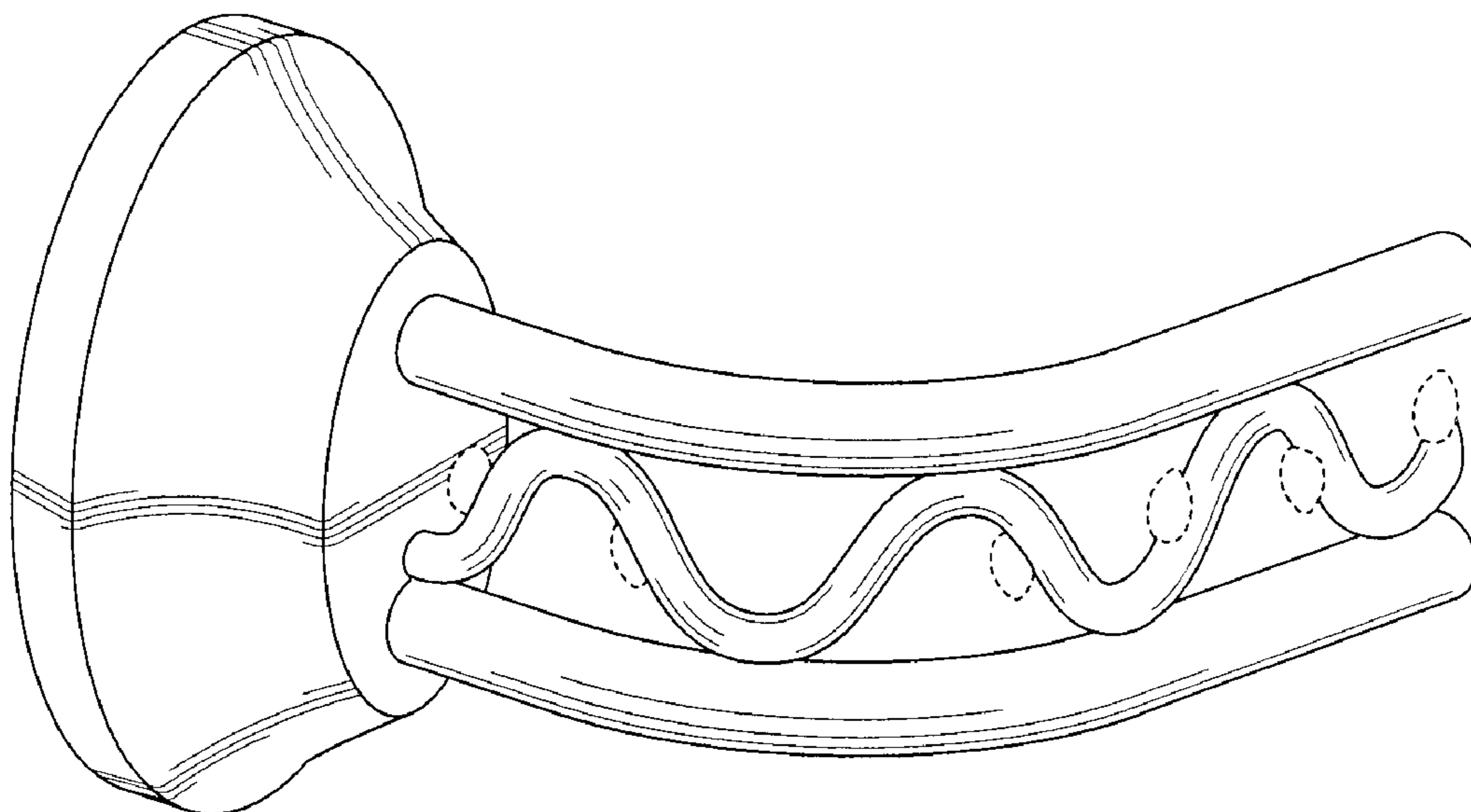
The ornamental design for a post, as shown and described.

DESCRIPTION

FIG. 1 is a perspective view of a post of the new design; FIG. 2 is a front elevational view of the post of FIG. 1; FIG. 3 is a rear elevational view of the post of FIG. 1; FIG. 4 is a left side elevational view of the post of FIG. 1; FIG. 5 is a right side elevational view of the post of FIG. 1; FIG. 6 is a top plan view of the post of FIG. 1; and, FIG. 7 is a bottom plan view of the post of FIG. 1.

The portions of the Figures shown in broken lines are not part of the claimed design but are for illustration only.

1 Claim, 3 Drawing Sheets



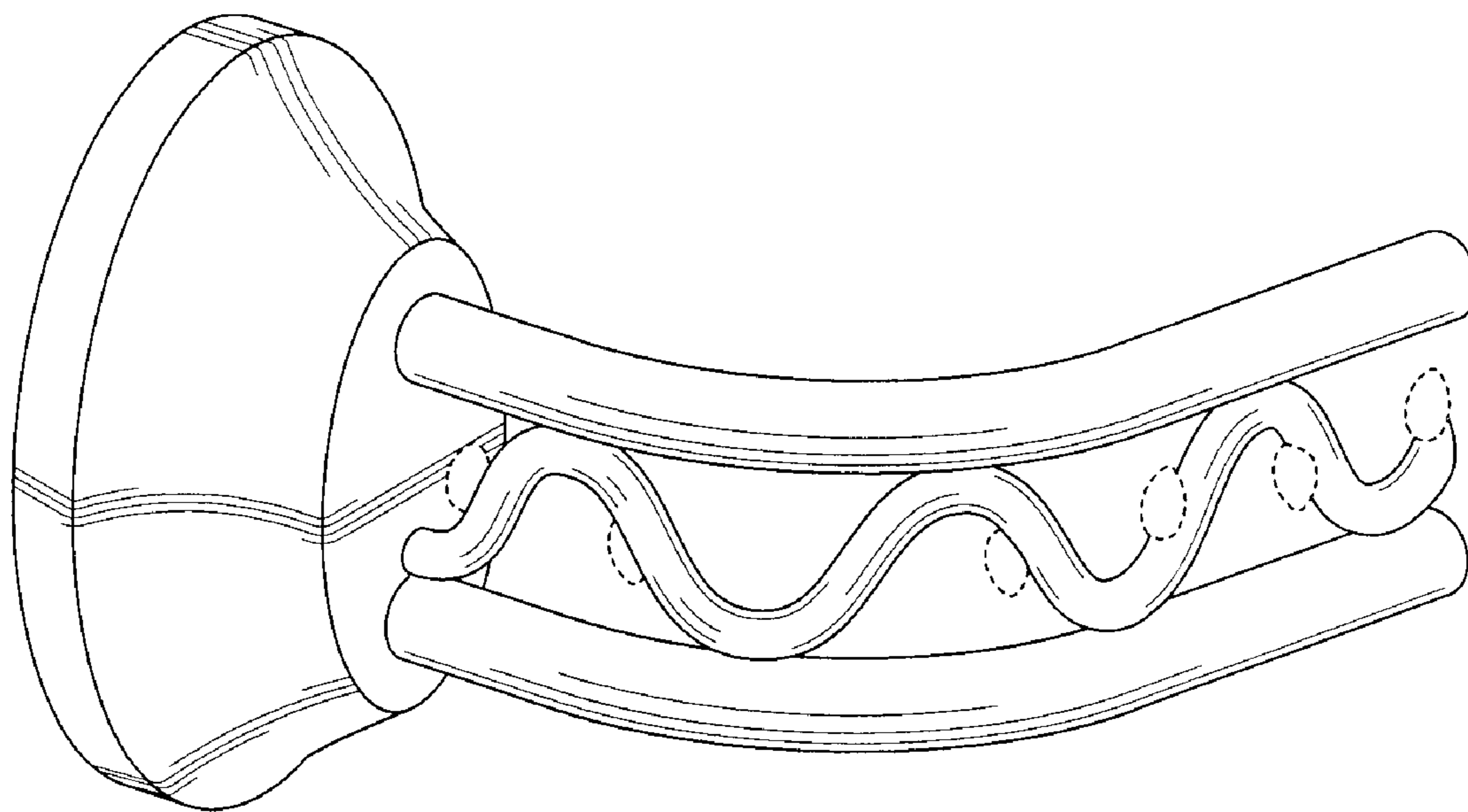


FIG. 1

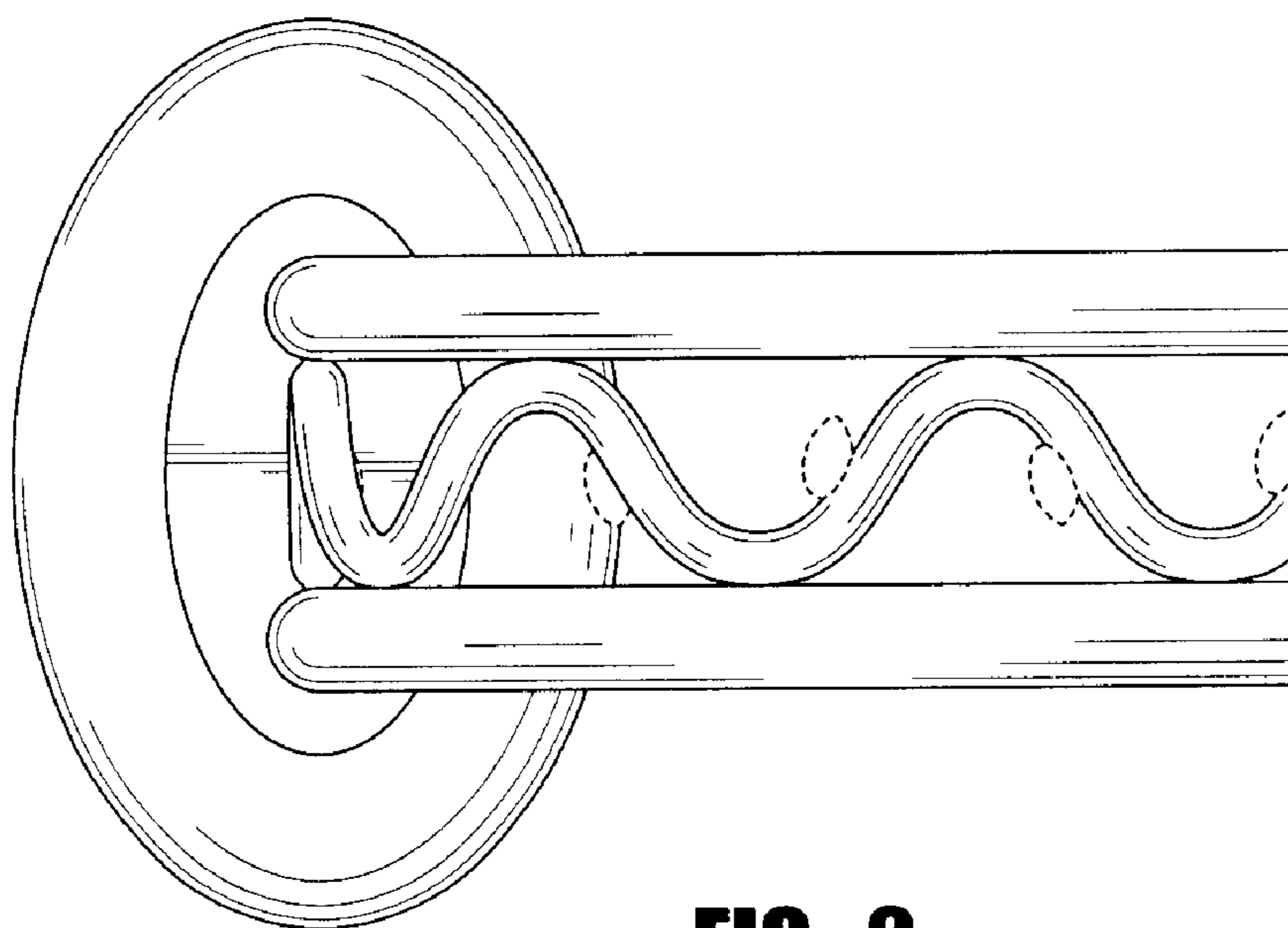


FIG. 2

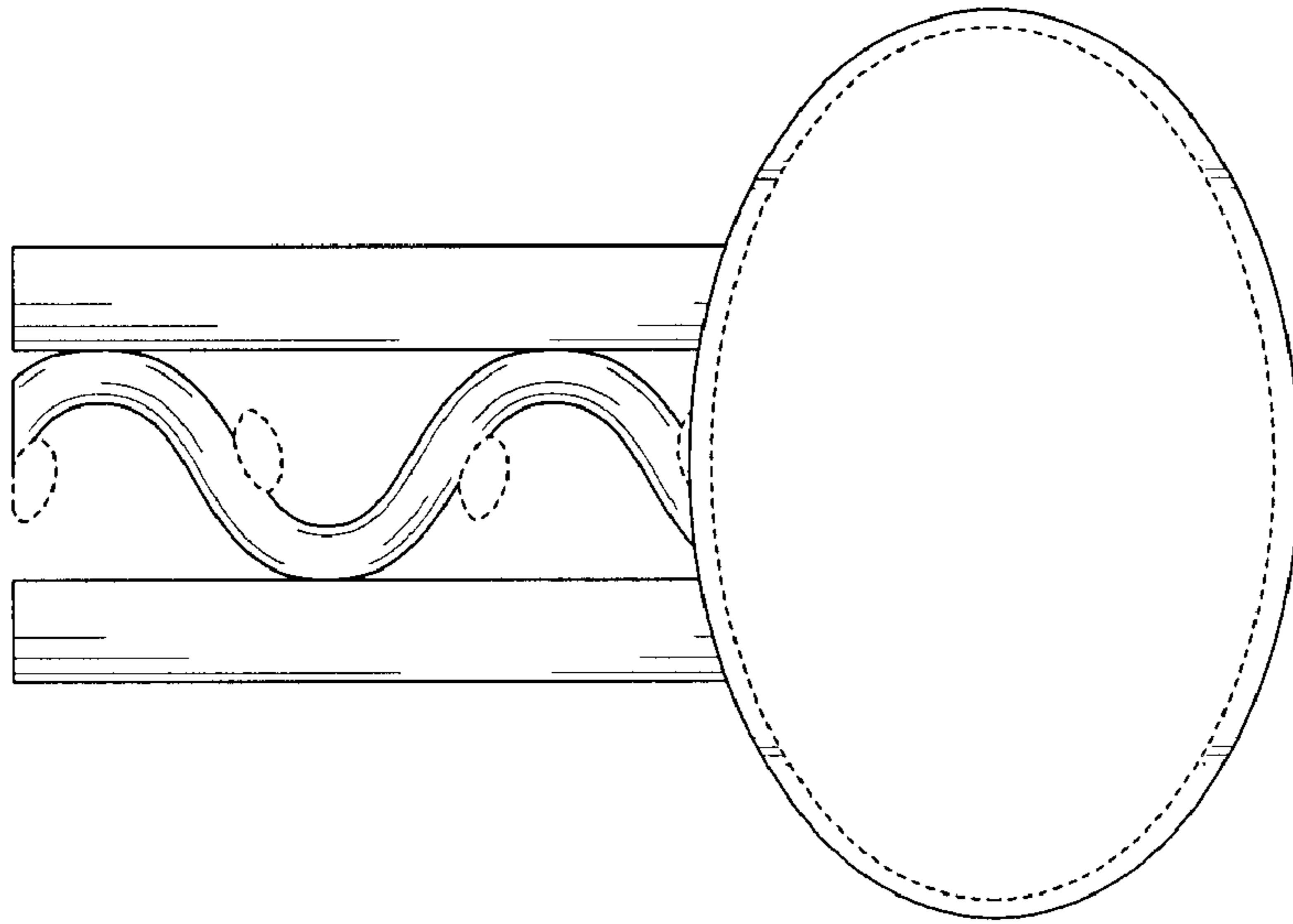


FIG. 3

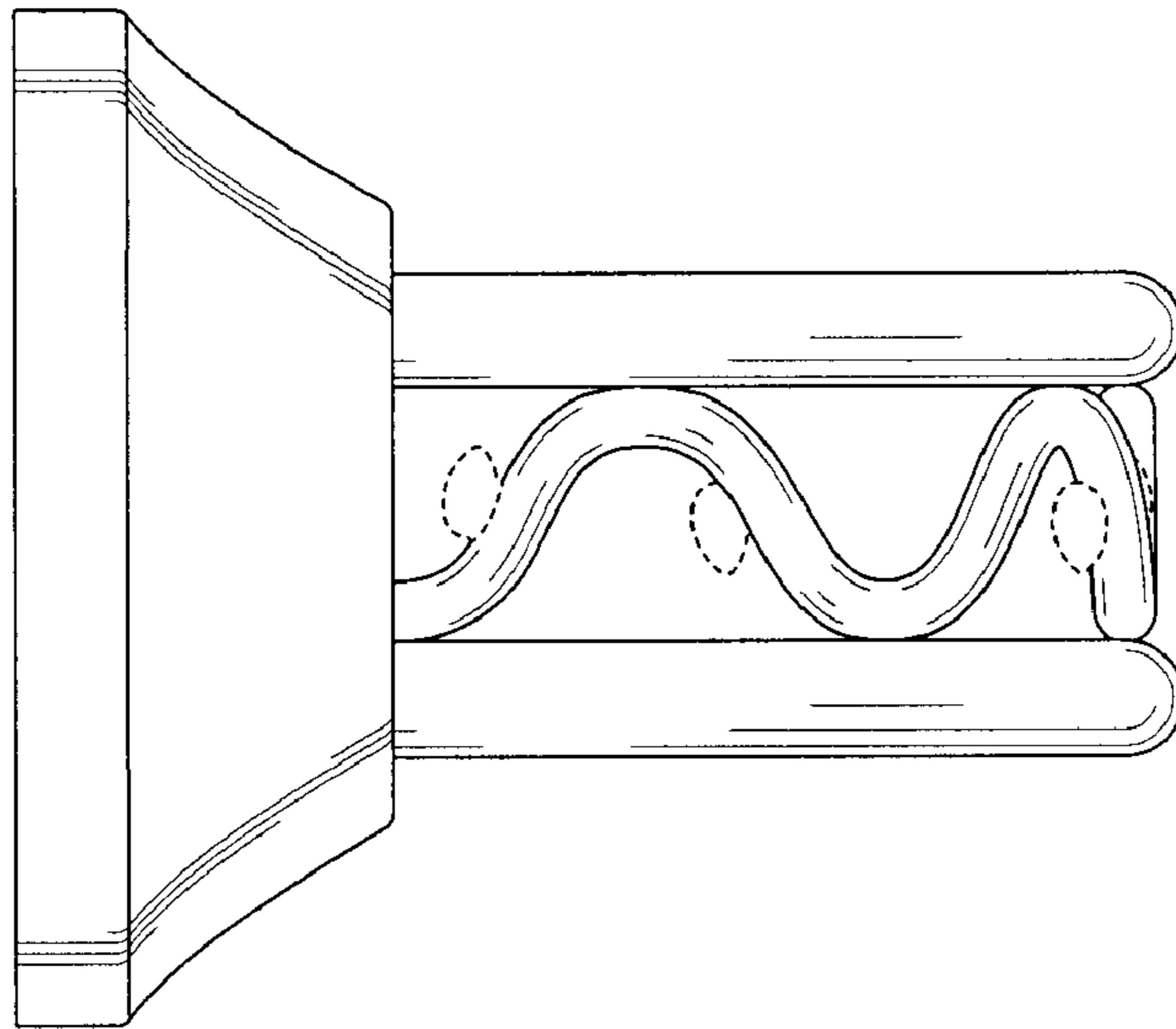


FIG. 4

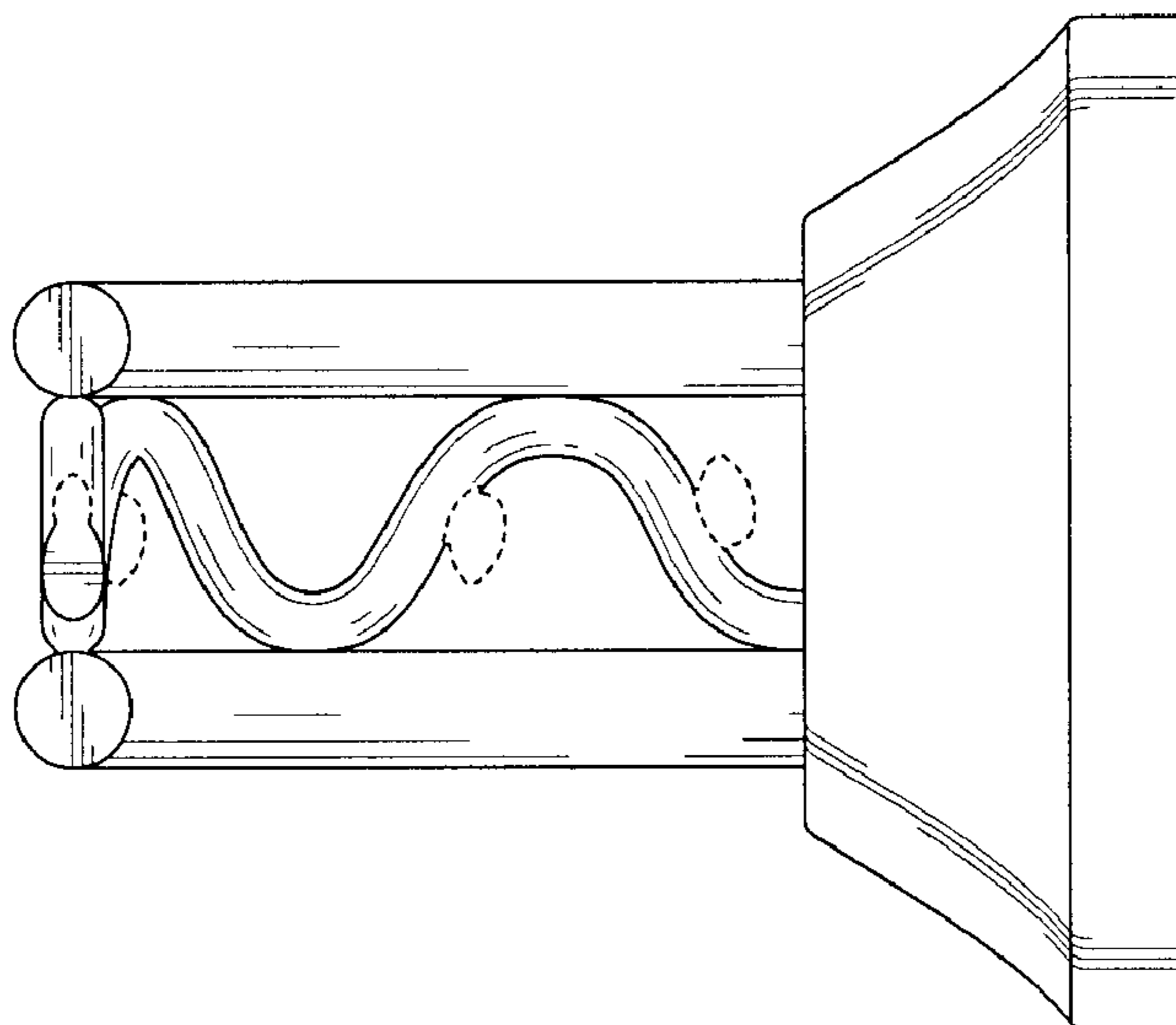


FIG. 5

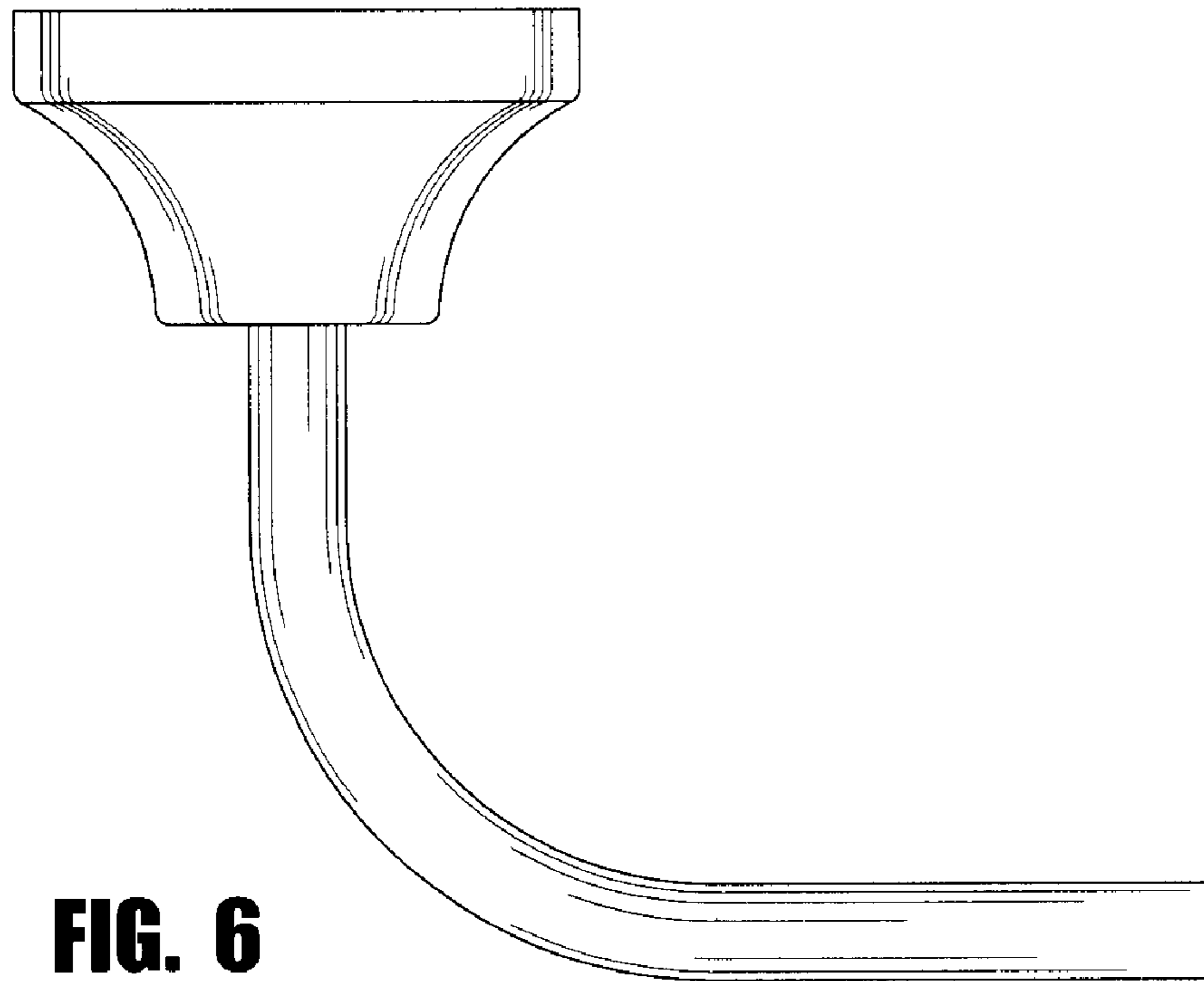


FIG. 6

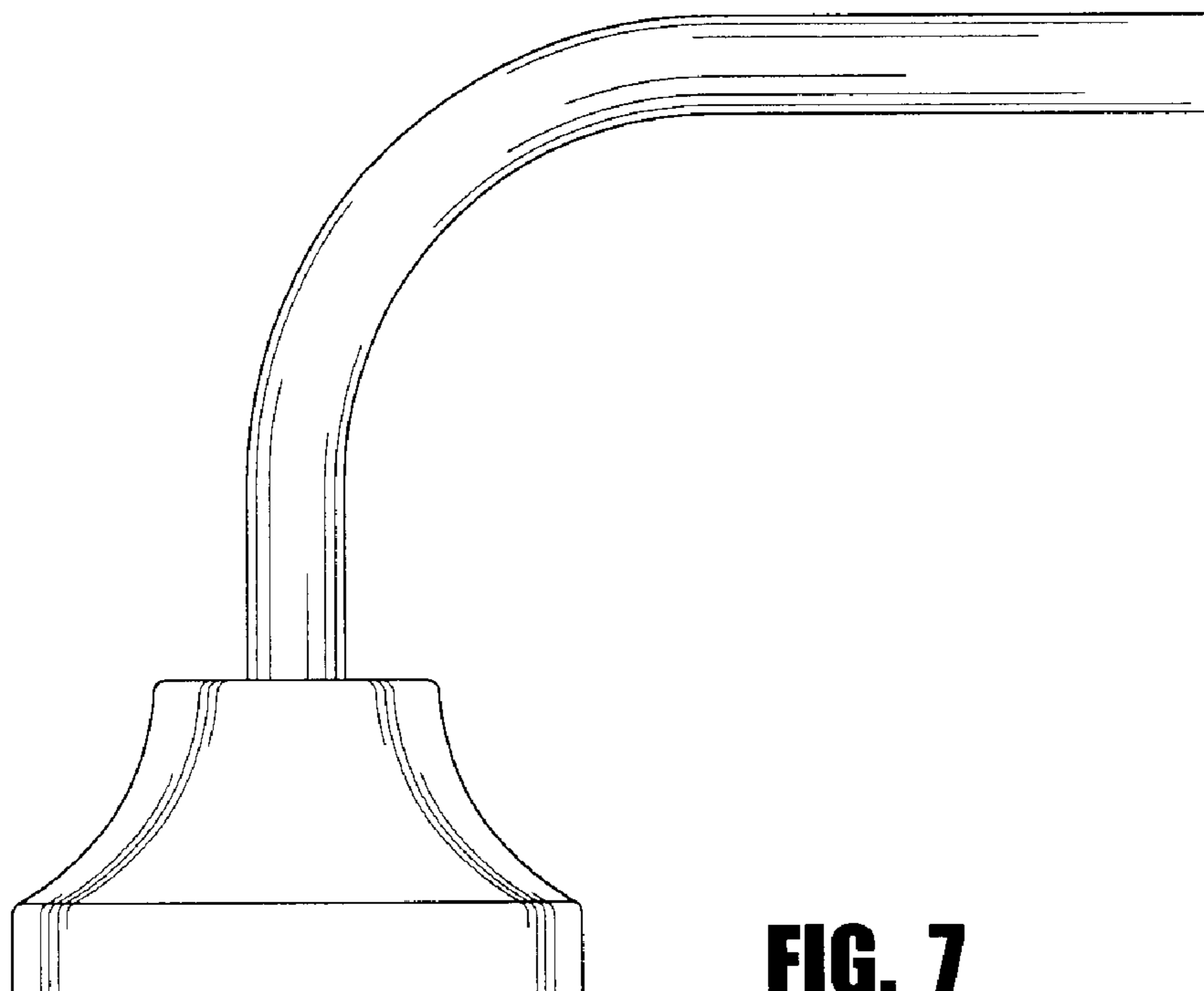


FIG. 7