

US00D530556S

(12) **United States Design Patent**
Berberet et al.

(10) **Patent No.:** **US D530,556 S**
(45) **Date of Patent:** **** Oct. 24, 2006**

(54) **WALL MOUNTABLE SUPPORT**

(74) *Attorney, Agent, or Firm*—Quarles & Brady LLP

(75) Inventors: **Suzanne M. Berberet**, Sheboygan, WI (US); **Stephen G. Murray**, Bethlehem, CT (US)

(57) **CLAIM**

The ornamental design for a wall mountable support, as shown and described.

(73) Assignee: **Kohler Co.**, Kohler, WI (US)

DESCRIPTION

(**) Term: **14 Years**

(21) Appl. No.: **29/226,332**

(22) Filed: **Mar. 28, 2005**

(51) **LOC (8) Cl.** **06-04**

(52) **U.S. Cl.** **D6/550**

(58) **Field of Classification Search** D6/546–550,
D6/518–523; D8/300, 303, 315–321, 349,
D8/354, 363, 373, 380; 108/28–29; 211/13.1,
211/16, 60.1, 100, 86.01, 87.01, 88.01, 88.04,
211/105.1–105.2, 123, 182, 181.1; 248/175,
248/176.1, 251, 302, 309.1; 16/110.1, 412,
16/415; 242/570, 590, 595–598

See application file for complete search history.

In a preferred embodiment, the nature of this product is a wall mountable support for a portion of a robe hook, a towel ring, a toilet paper holder, a single rung towel bar, or a double rung towel bar.

FIG. 1 is a left, top, front perspective view of a wall mountable support according to our new design;

FIG. 2 is a front elevational view thereof;

FIG. 3 is a left side elevational view thereof, the right side elevational view being a mirror image the left side shown;

FIG. 4 is a top plan view thereof;

FIG. 5 is a bottom plan view thereof;

FIG. 6 is a rear elevational view thereof;

FIG. 7 is a left, top, front perspective view of the wall mountable support of FIG. 1 with hook environment shown in phantom;

FIG. 8 is a left, top, front perspective view of the wall mountable support of FIG. 1 with bar environment shown in phantom;

FIG. 9 is a left, top, front perspective view of the wall mountable support of FIG. 1 with bar environment shown in phantom;

FIG. 10 is a left, top, front perspective view of the wall mountable support of FIG. 1 with bar environment shown in phantom; and,

FIG. 11 is a left, top, front perspective view of the wall mountable support of FIG. 1 with double bar environment shown in phantom.

The broken line representations of contoured surfaces in FIGS. 1–5, of a hole in FIG. 5, of rear structure in FIG. 6, of hook environment in FIG. 7, and of bar environment in FIGS. 8–11 are for purpose of illustration only, and form no part of the claimed design.

(56) **References Cited**

U.S. PATENT DOCUMENTS

D400,381 S	*	11/1998	Solowiej et al.	D6/550
D409,032 S	*	5/1999	Kuo	D6/550
D449,952 S	*	11/2001	Lyndon	D6/549
D451,739 S	*	12/2001	Yeh	D6/550
D454,742 S	*	3/2002	Meck et al.	D6/549
D459,128 S	*	6/2002	Meck et al.	D6/523
D463,935 S	*	10/2002	Zhao	D6/549
D476,181 S	*	6/2003	Yeh	D6/524
D492,530 S	*	7/2004	Chen	D6/549

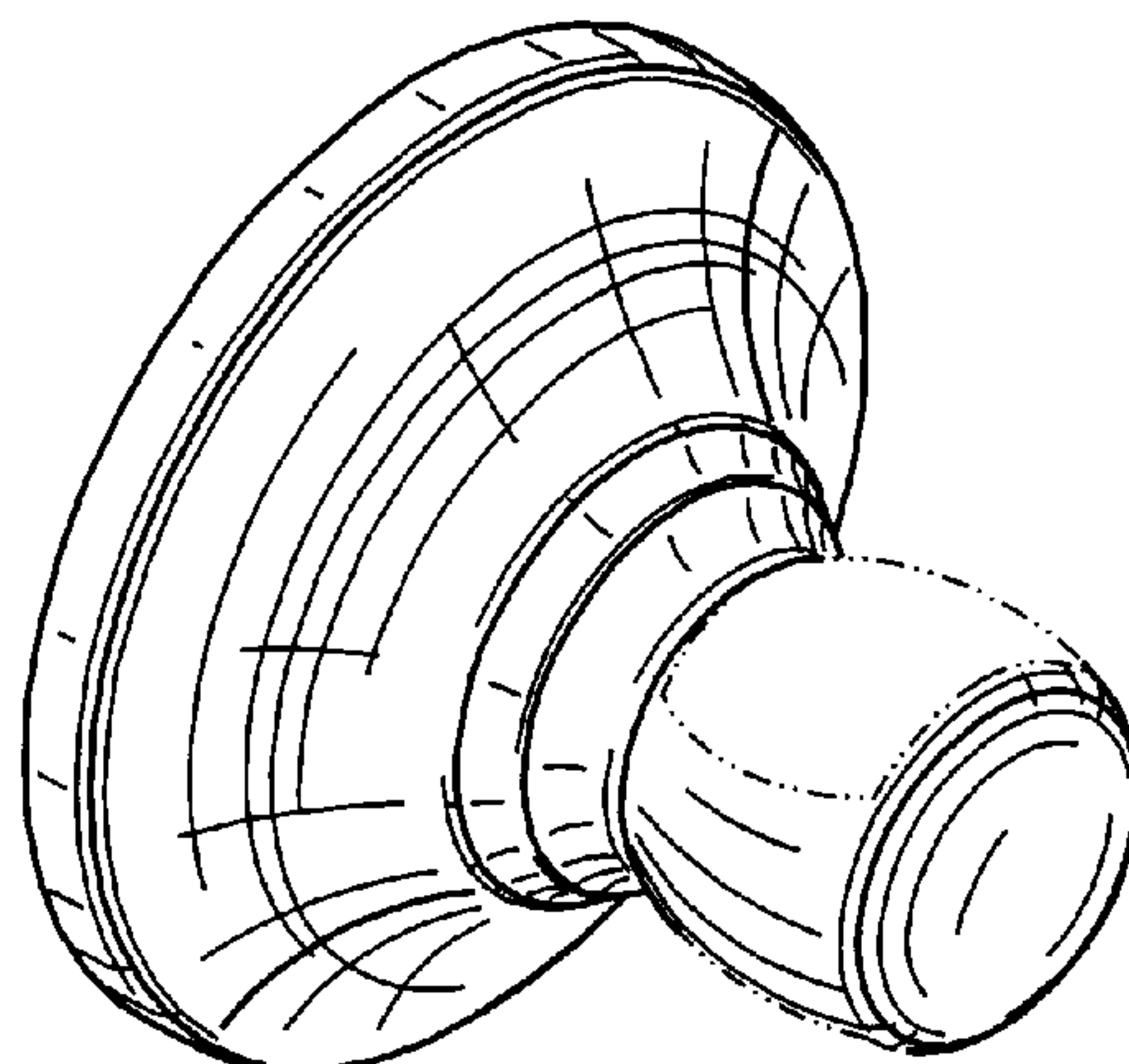
OTHER PUBLICATIONS

Website page showing Restoration Hardware, Eaton Towel Bars, dated Dec. 17, 2004.

(Continued)

Primary Examiner—Brian N Vinson

1 Claim, 7 Drawing Sheets



OTHER PUBLICATIONS

Website page showing Old World Hardware, dated Dec. 21, 2004.

Kohler website page showing K-361 Finial Traditional Toilet Tissue Holder, dated Dec. 6, 2004.

Kohler website page showing K-10553 Devonshire 24" Double Towel Bar, dated Dec. 9, 2004.

Website page showing Restoration Hardware Vintage Double Hook, dated Dec. 17, 2004.

Kohler website page showing a Kohler robe hook, dated Dec. 9, 2004.

Website page showing Grohe Geneva 8" Towel Ring, dated Dec. 17, 2004.

* cited by examiner

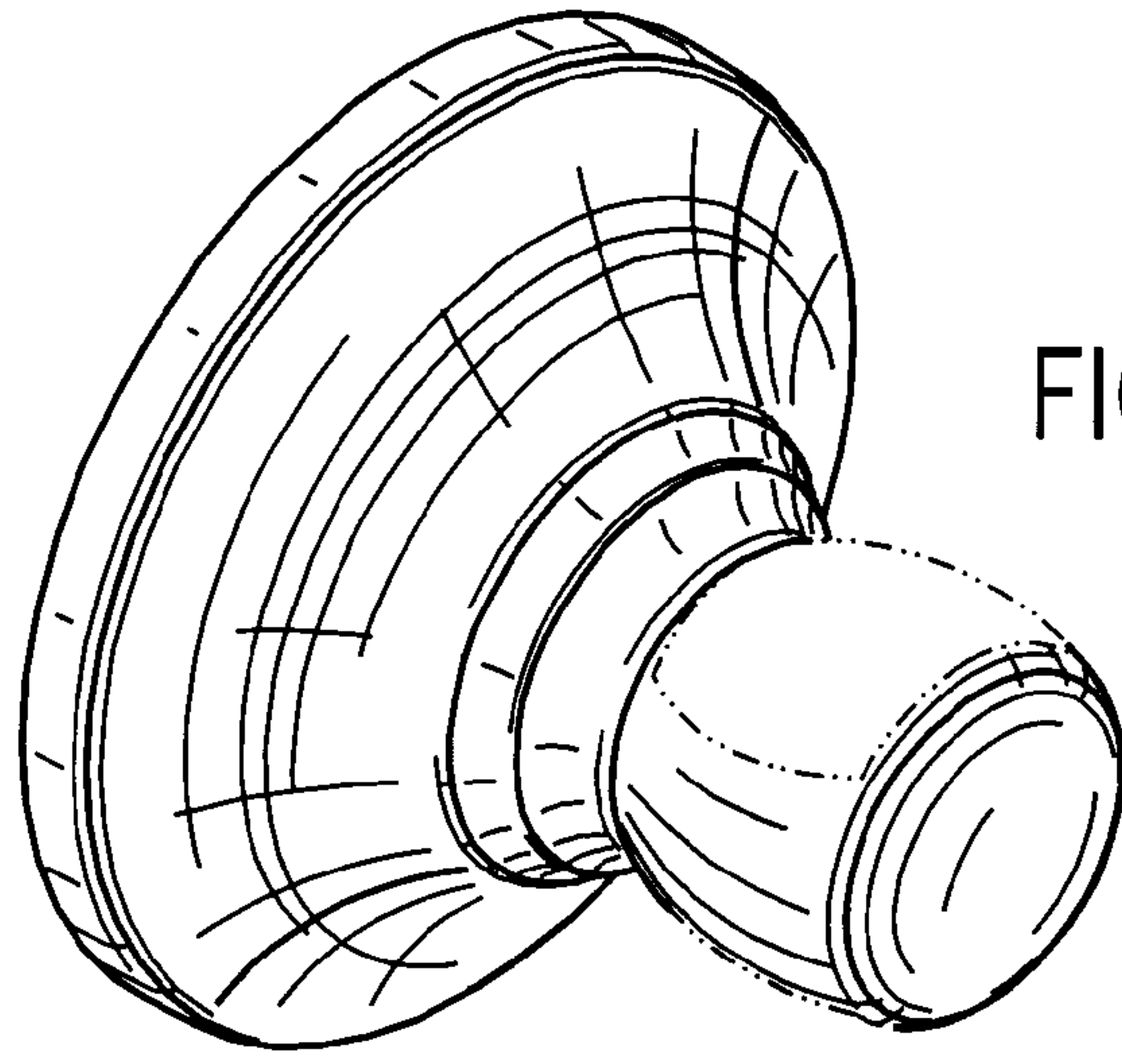


FIG. 1

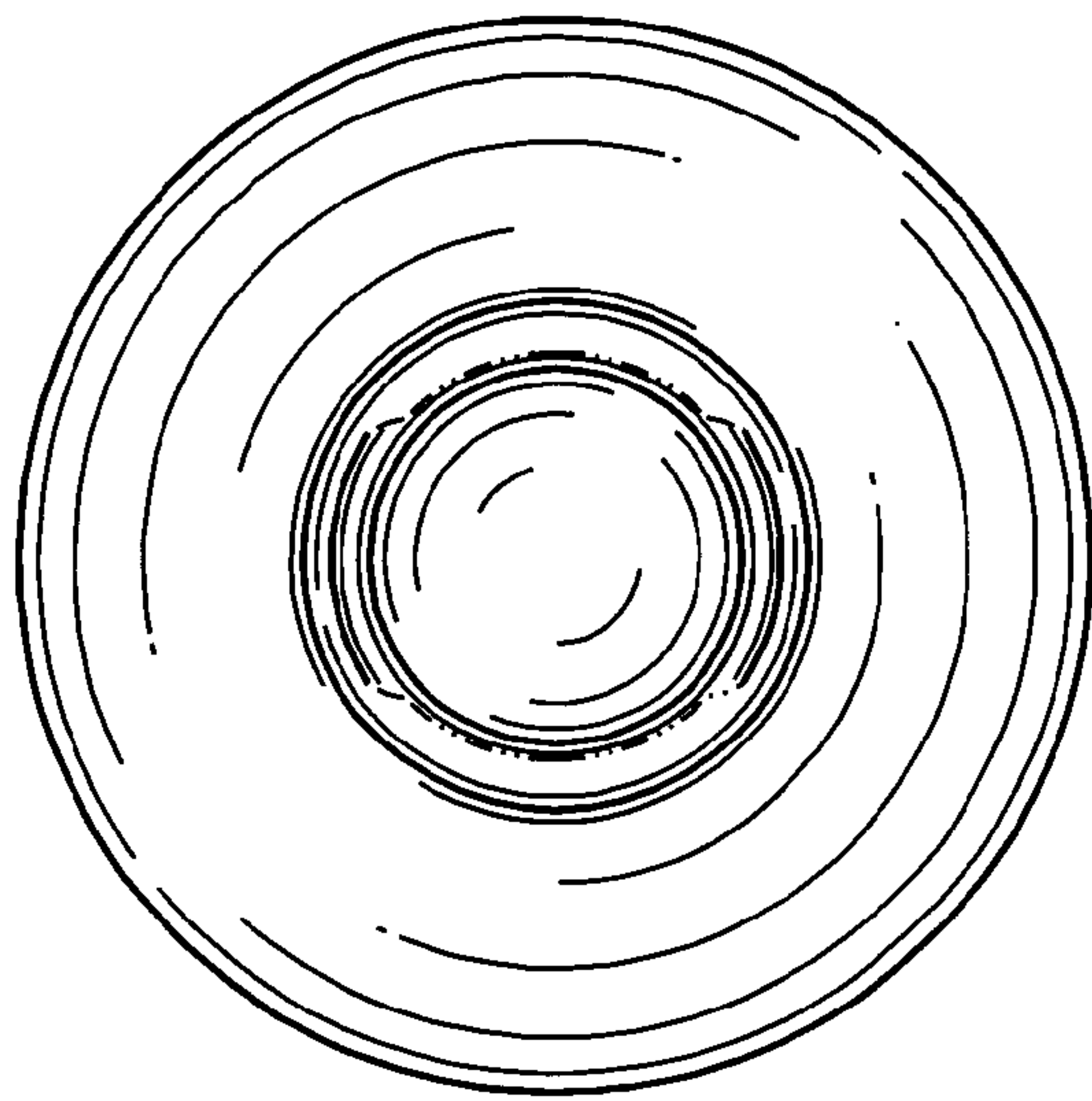


FIG. 2

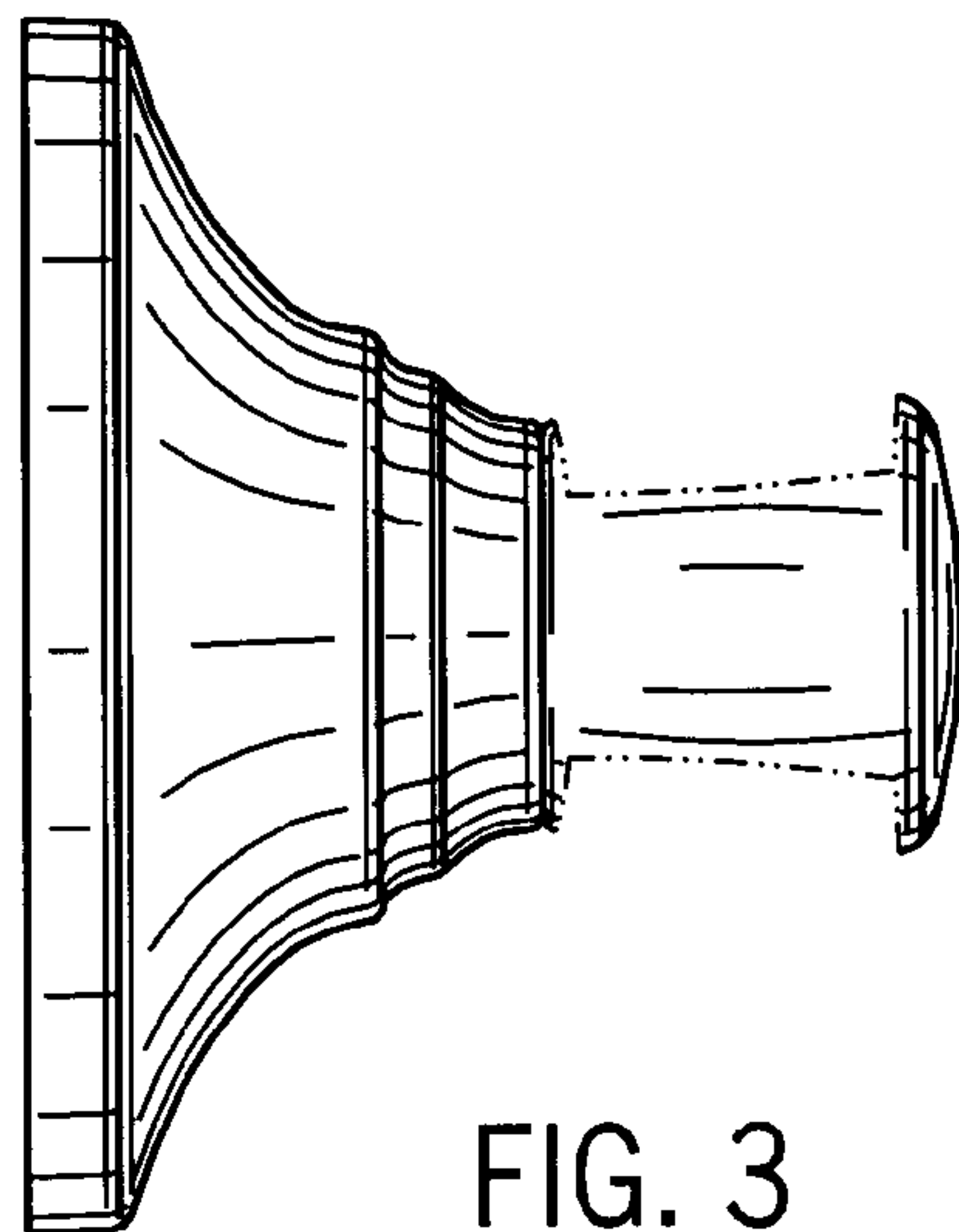


FIG. 3

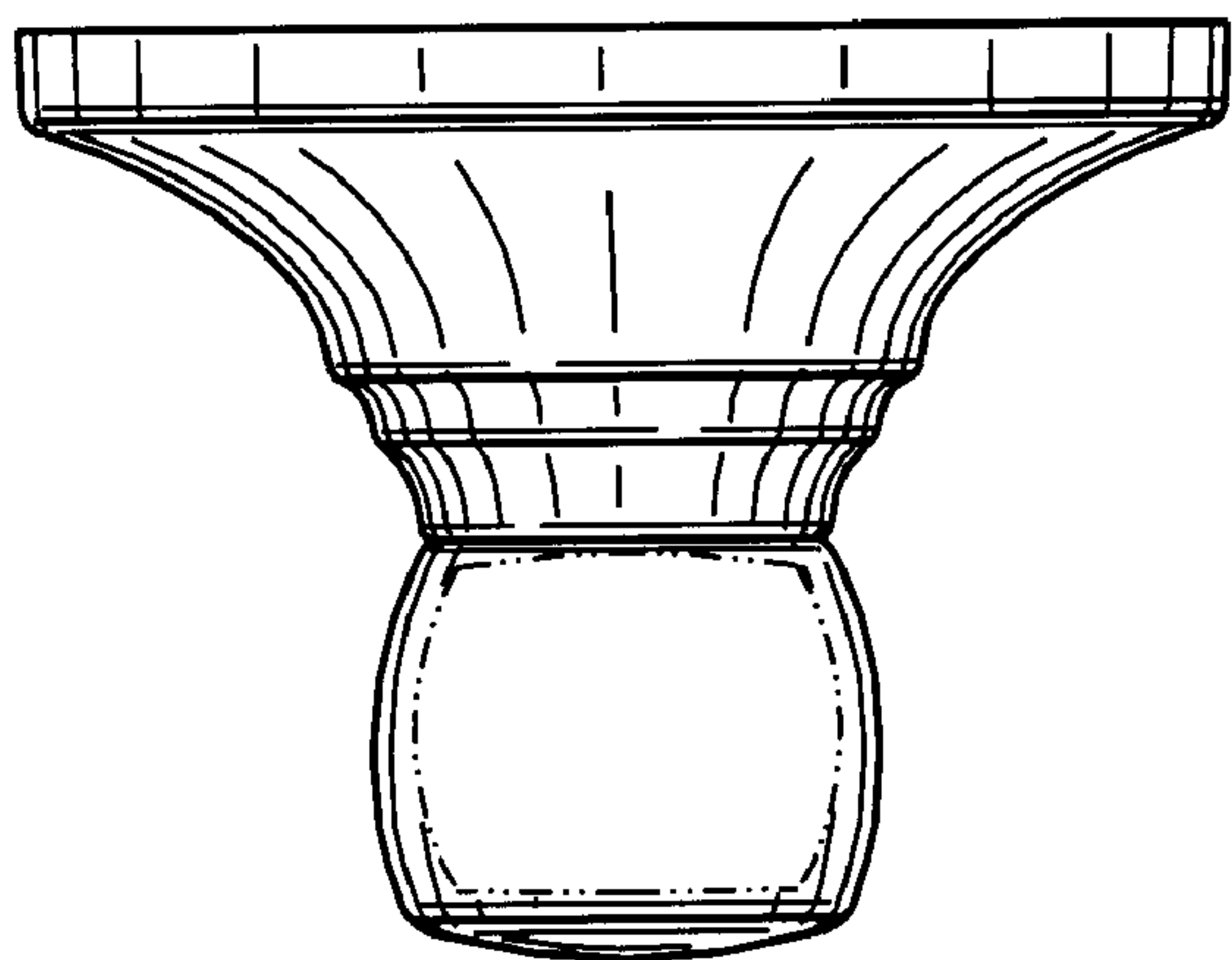


FIG. 4

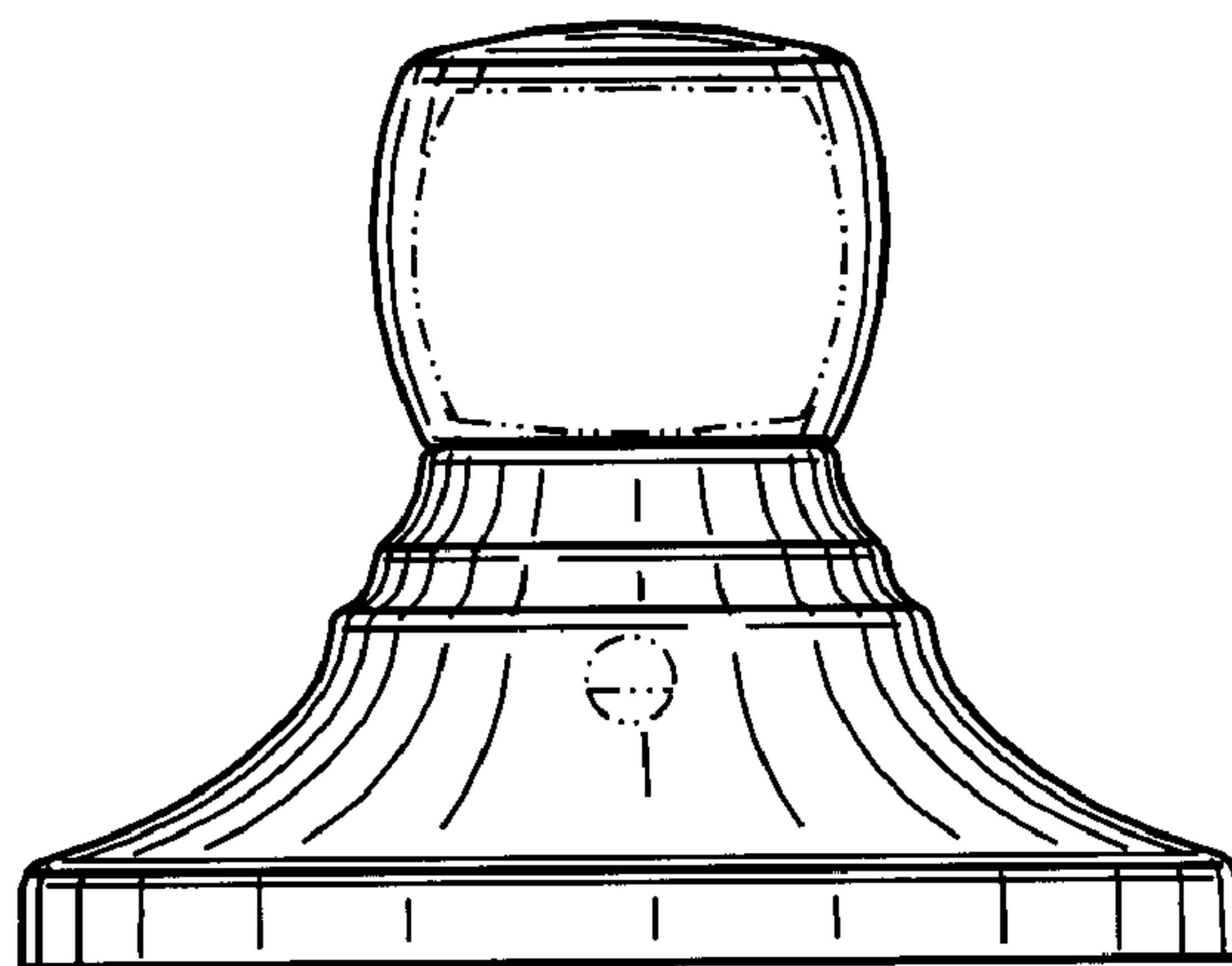


FIG. 5

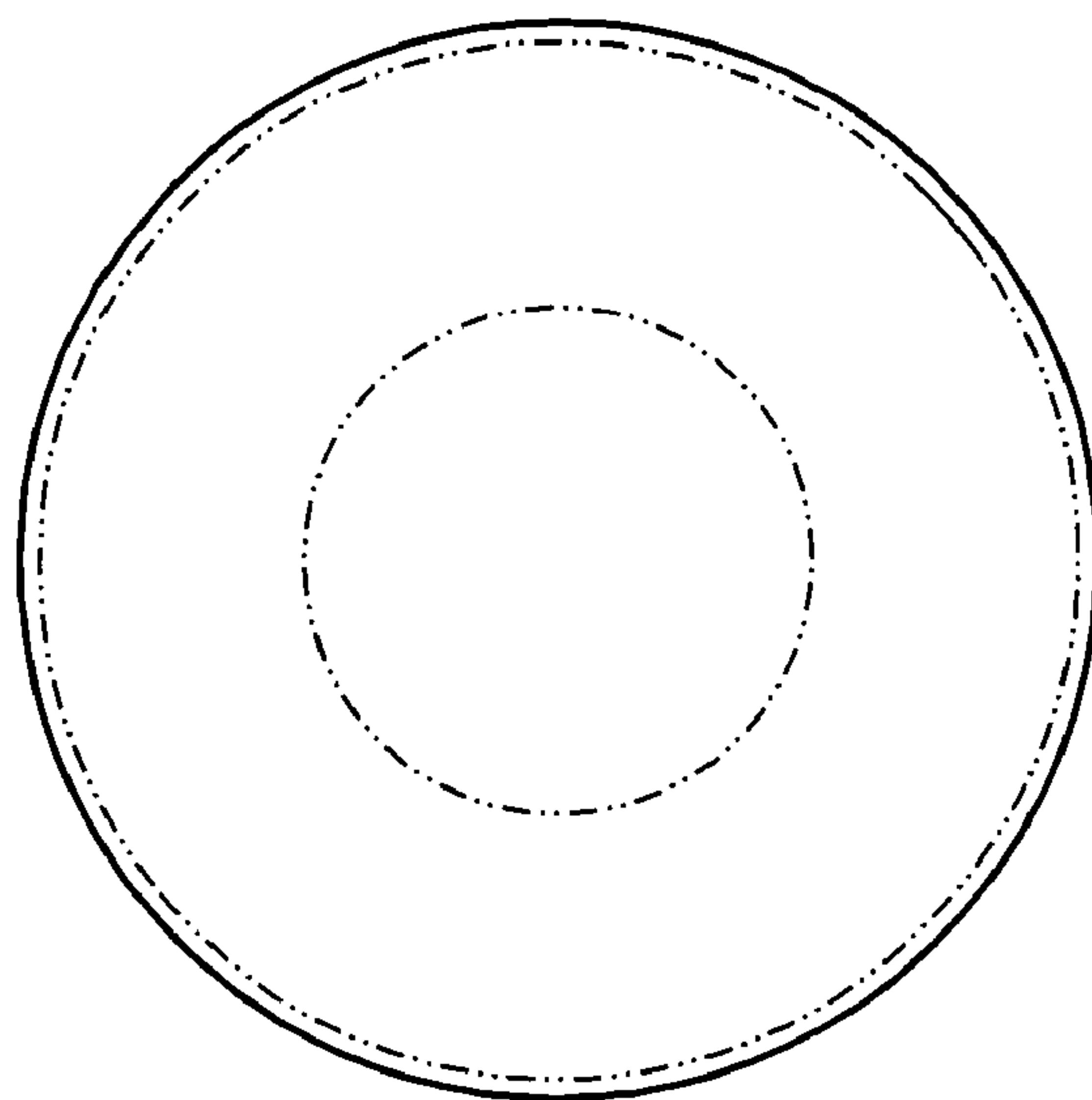


FIG. 6

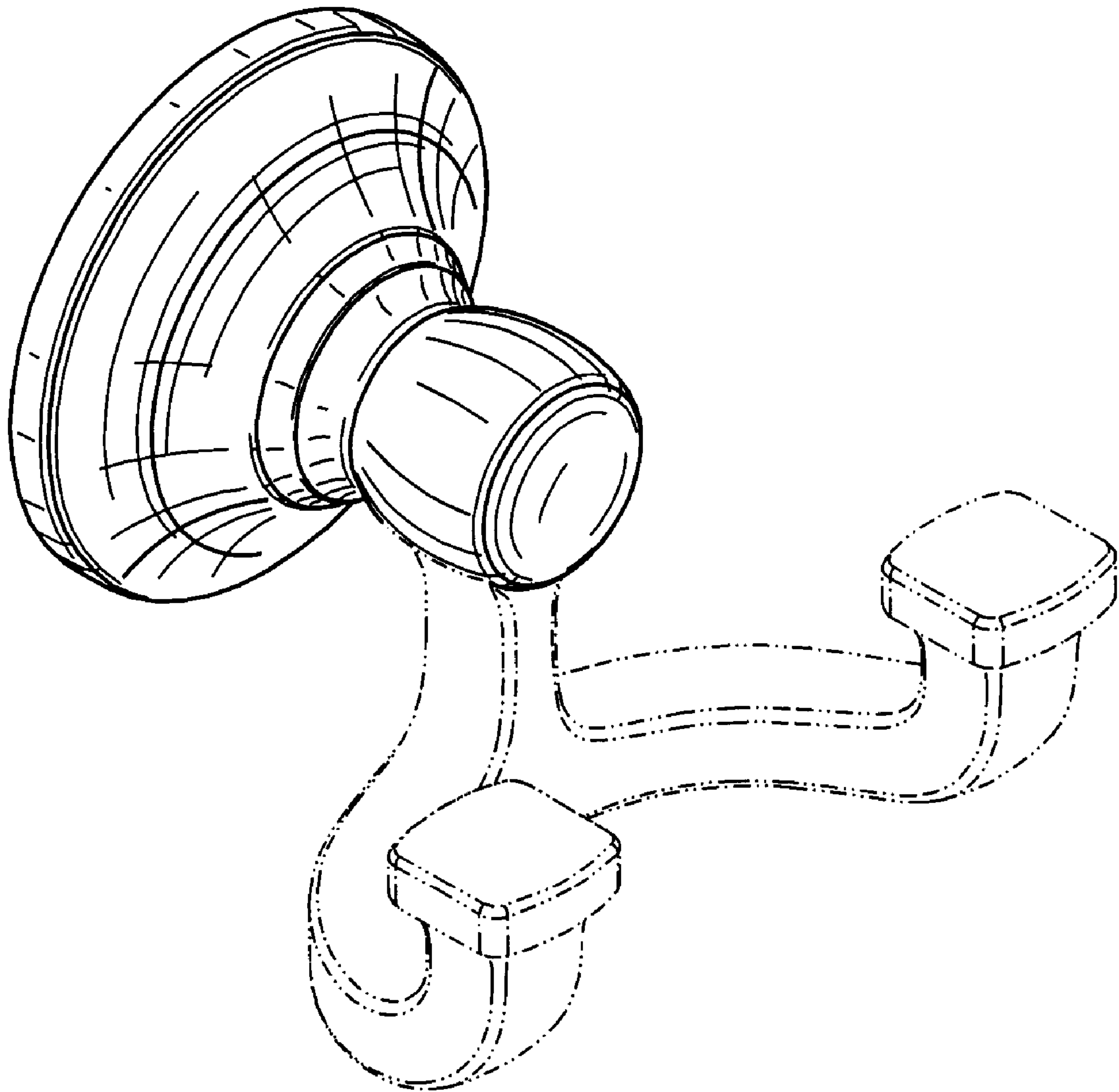


FIG. 7

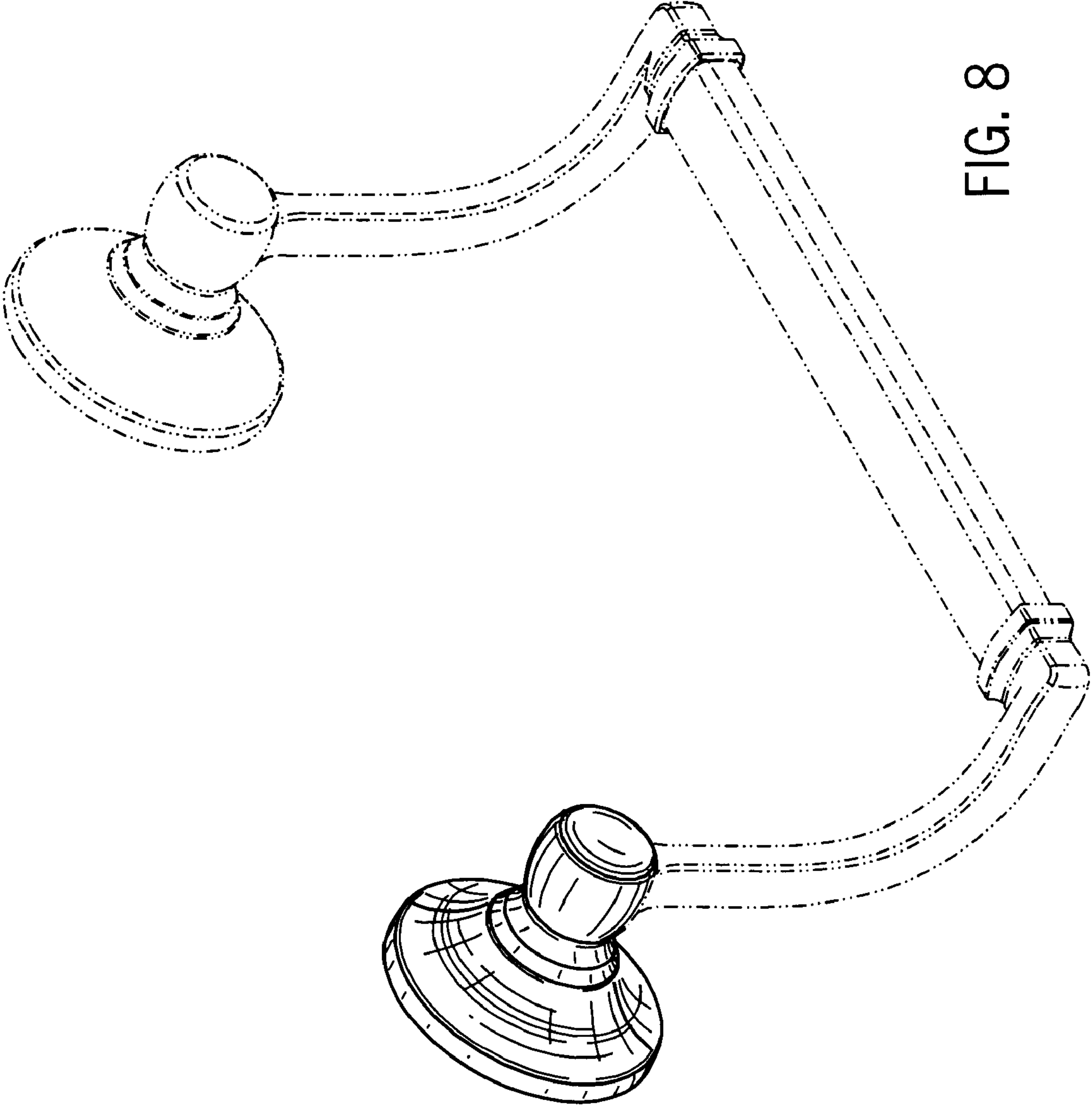


FIG. 8

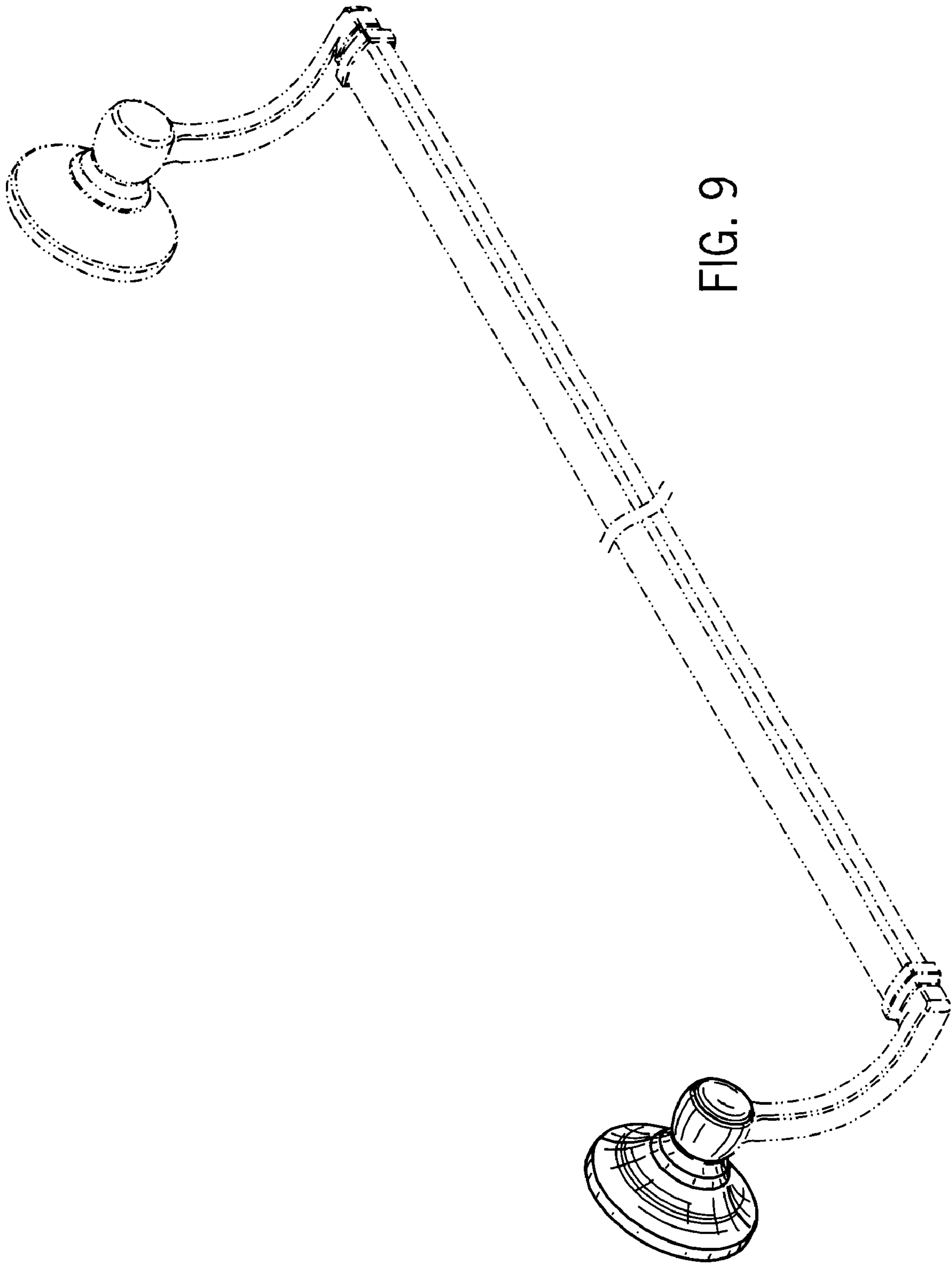


FIG. 9

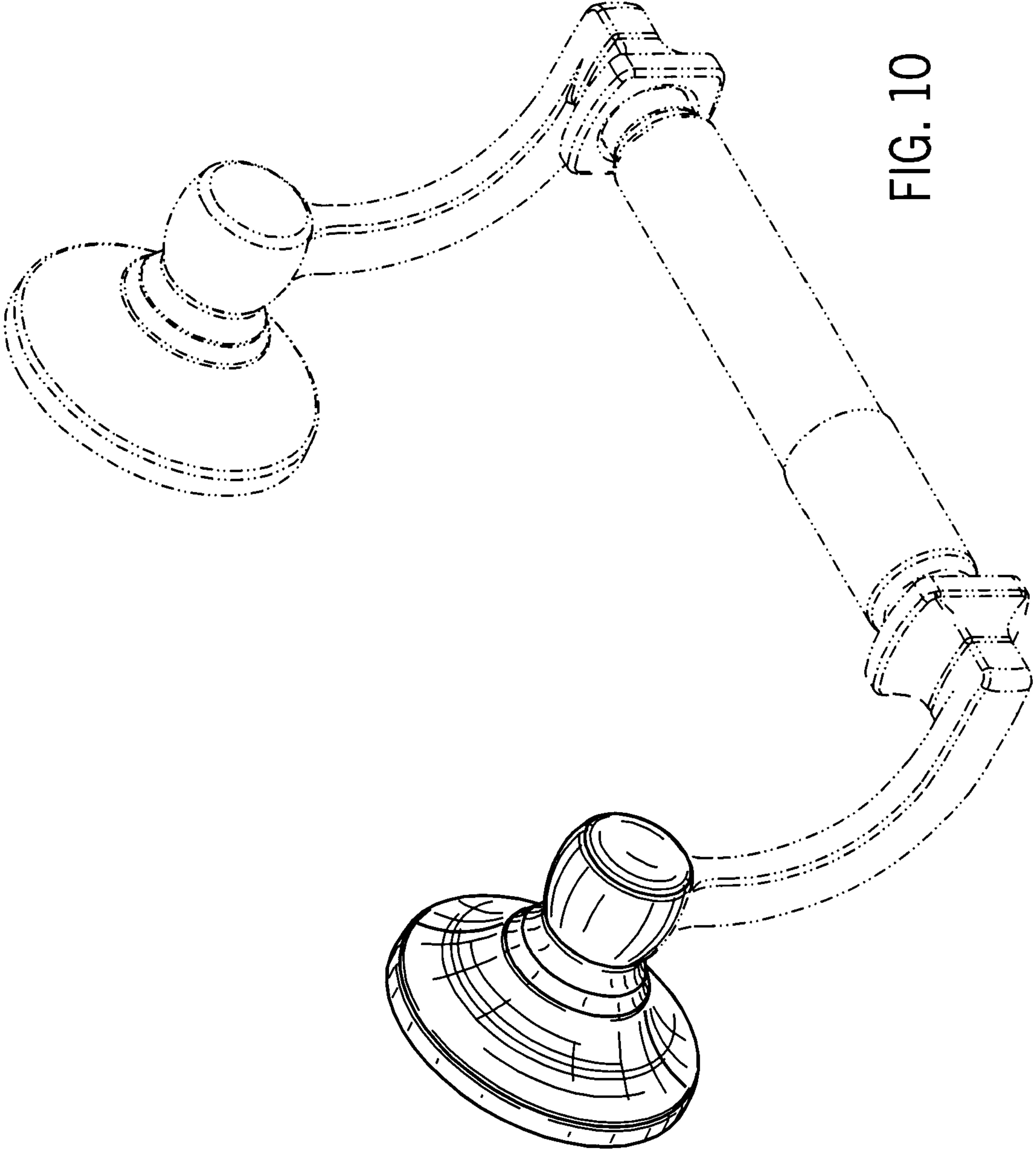


FIG. 10

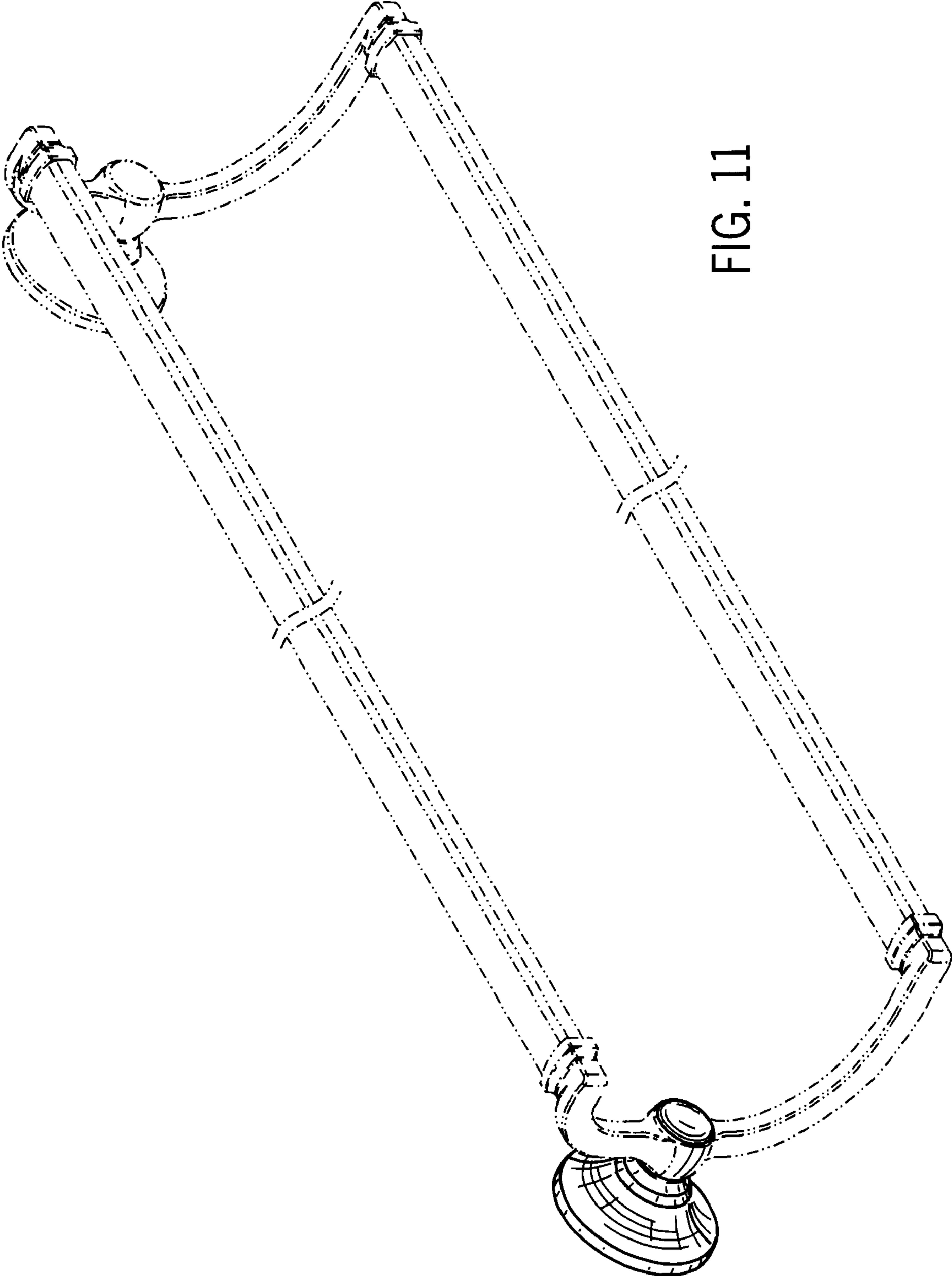


FIG. 11