



US00D530554S

(12) **United States Design Patent**
Yang et al.

(10) **Patent No.:** **US D530,554 S**

(45) **Date of Patent:** **** Oct. 24, 2006**

(54) **SOAP DISPENSER**

(75) Inventors: **Frank Yang**, Rancho Palos Verdes, CA (US); **Adam C. Wade**, Rancho Santa Margarita, CA (US); **Myk Wayne Lum**, Irvine, CA (US)

(73) Assignee: **Simplehuman LLC**, Los Angeles, CA (US)

(**) Term: **14 Years**

(21) Appl. No.: **29/251,678**

(22) Filed: **Jan. 11, 2006**

Related U.S. Application Data

(63) Continuation-in-part of application No. 29/234,089, filed on Jul. 13, 2005.

(51) **LOC (8) Cl.** **23-02**

(52) **U.S. Cl.** **D6/542**

(58) **Field of Classification Search** D6/542-545;
221/282; 222/14, 173, 146.3, 628, 251, 181.1,
222/181.3; D9/682, 688, 690, 691, 448, 449
See application file for complete search history.

(56) **References Cited**

U.S. PATENT DOCUMENTS

D106,053 S * 9/1937 Maguire D6/542

D332,739 S * 1/1993 Petschek D9/688
D375,643 S * 11/1996 Copeland et al. D6/542
D396,590 S * 8/1998 Warshawsky D6/542
D416,154 S * 11/1999 Diehl D6/542
D426,093 S * 6/2000 Cayouette D6/542
D438,041 S * 2/2001 Huang D6/542
D486,335 S * 2/2004 Sonneman D6/542

* cited by examiner

Primary Examiner—Brian N Vinson

(74) *Attorney, Agent, or Firm*—Raymond Sun

(57) **CLAIM**

The ornamental design for the soap dispenser, as shown and described.

DESCRIPTION

FIG. 1 is a perspective view of a soap dispenser according to the present invention;

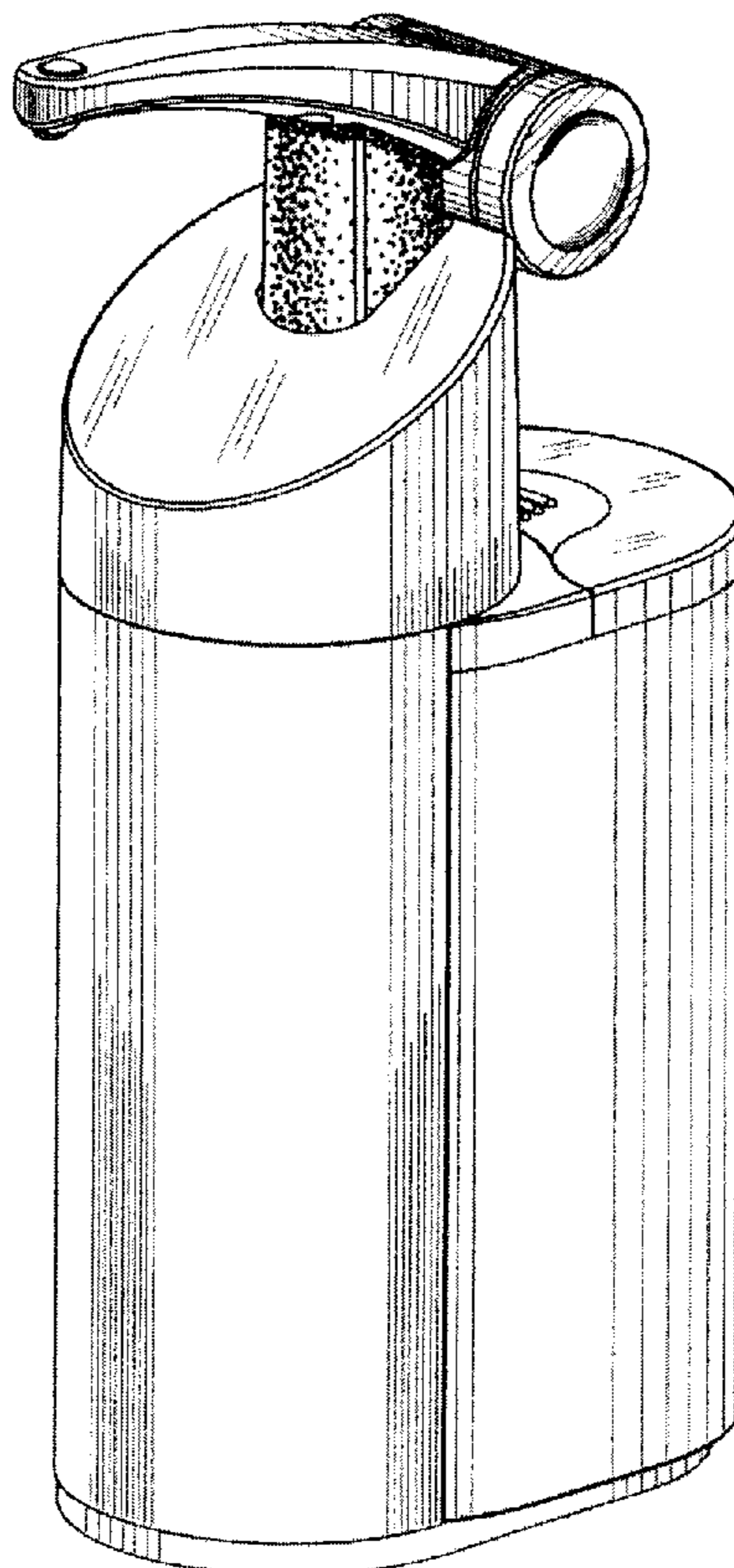
FIG. 2 is a front plan view of FIG. 1;

FIG. 3 is a rear plan view of FIG. 1.

FIG. 4 is a top plan view of FIG. 1; and,

FIG. 5 is a left plan view of FIG. 1; the right plan view being symmetrical thereto.

1 Claim, 5 Drawing Sheets



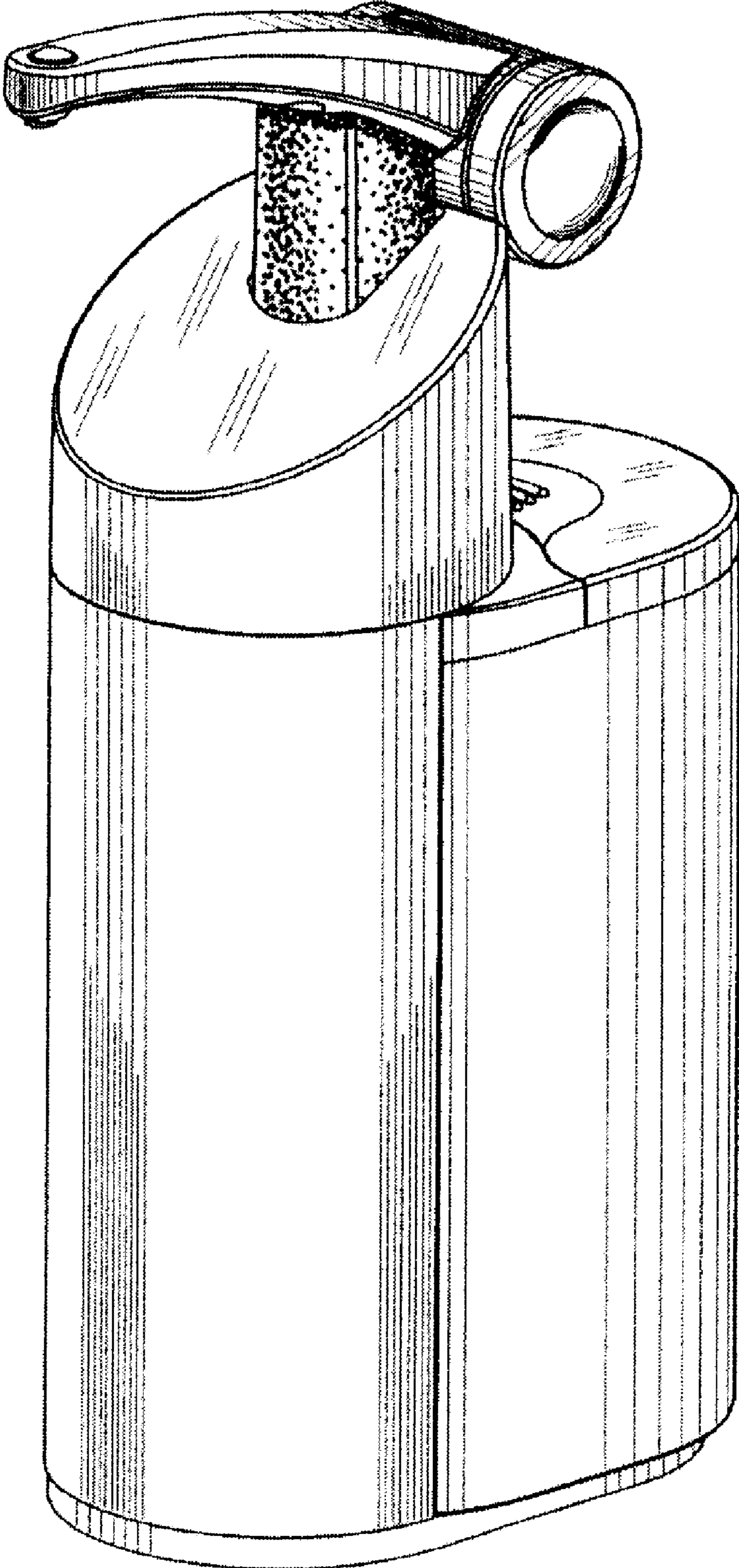


FIG. 1

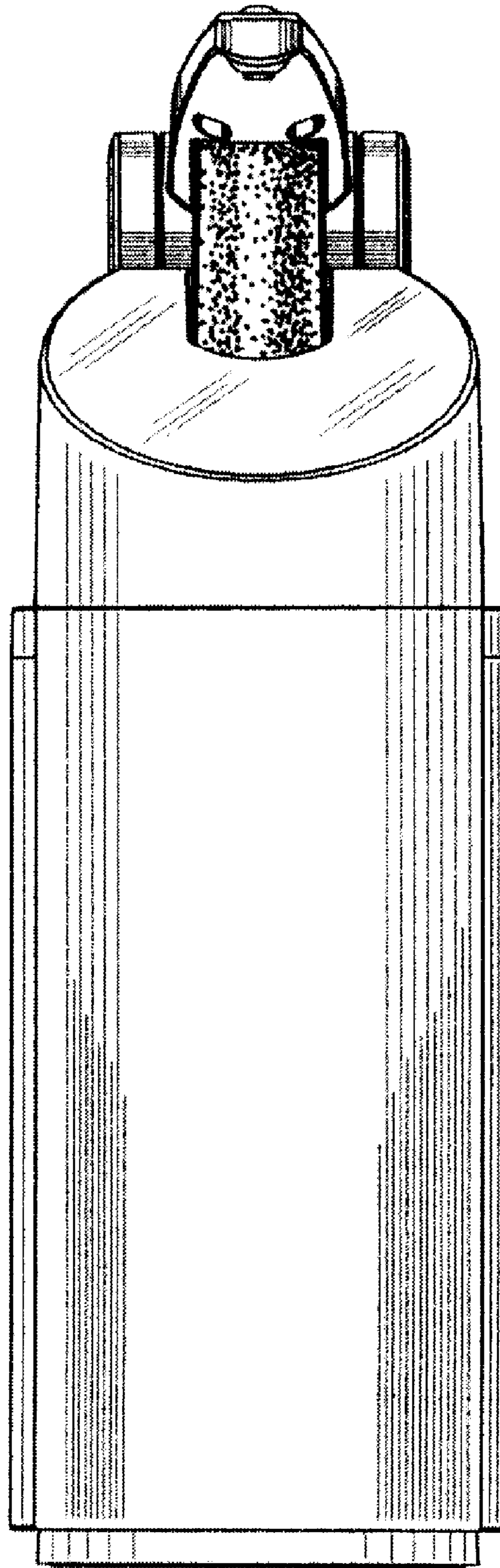


FIG. 2

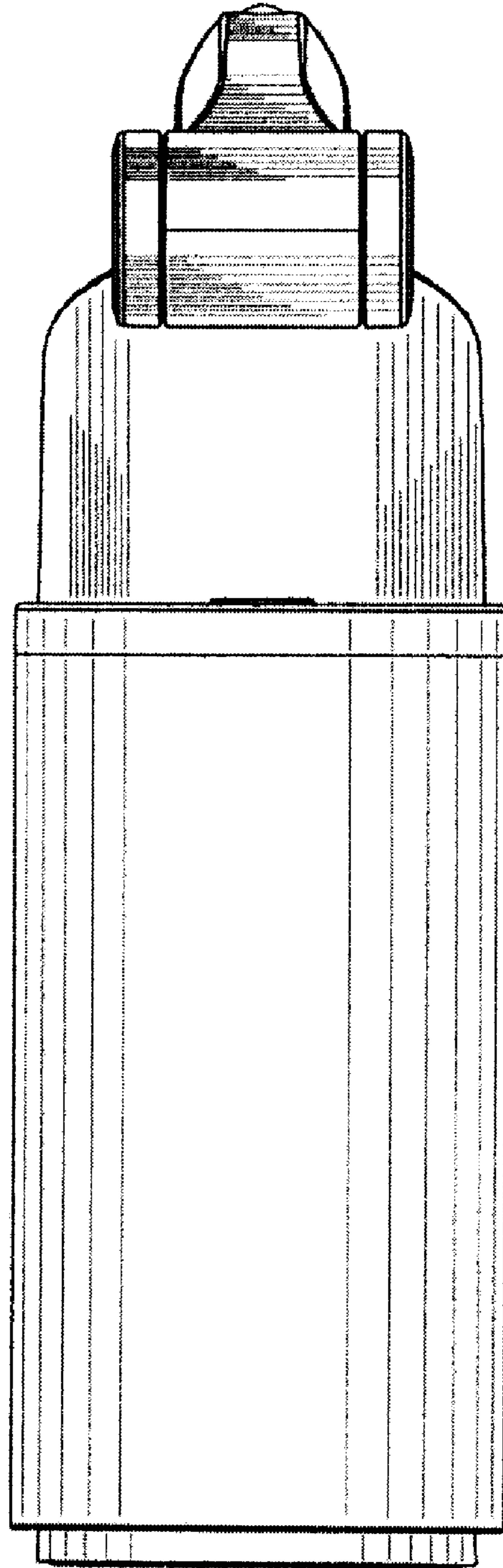


FIG. 3

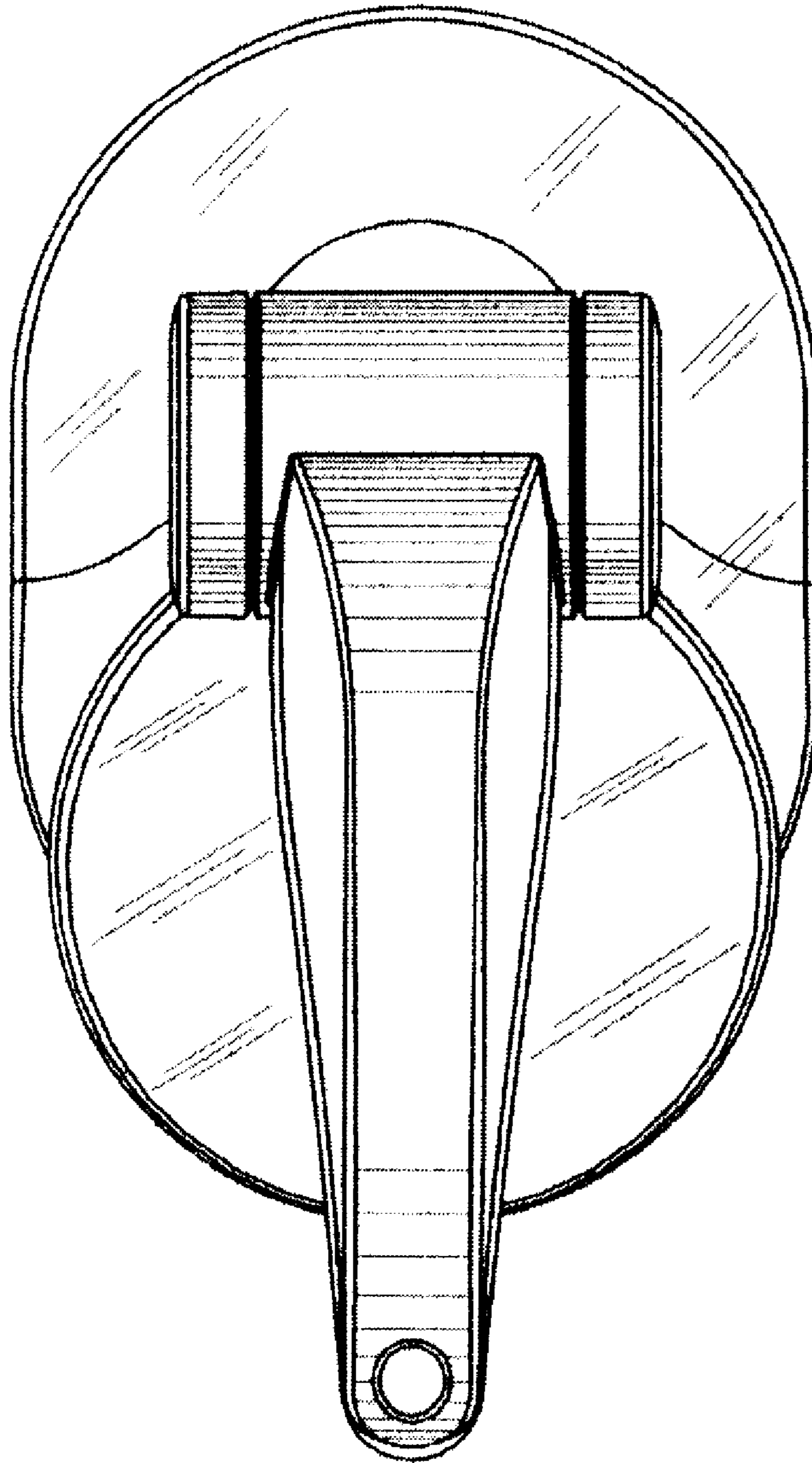


FIG. 4

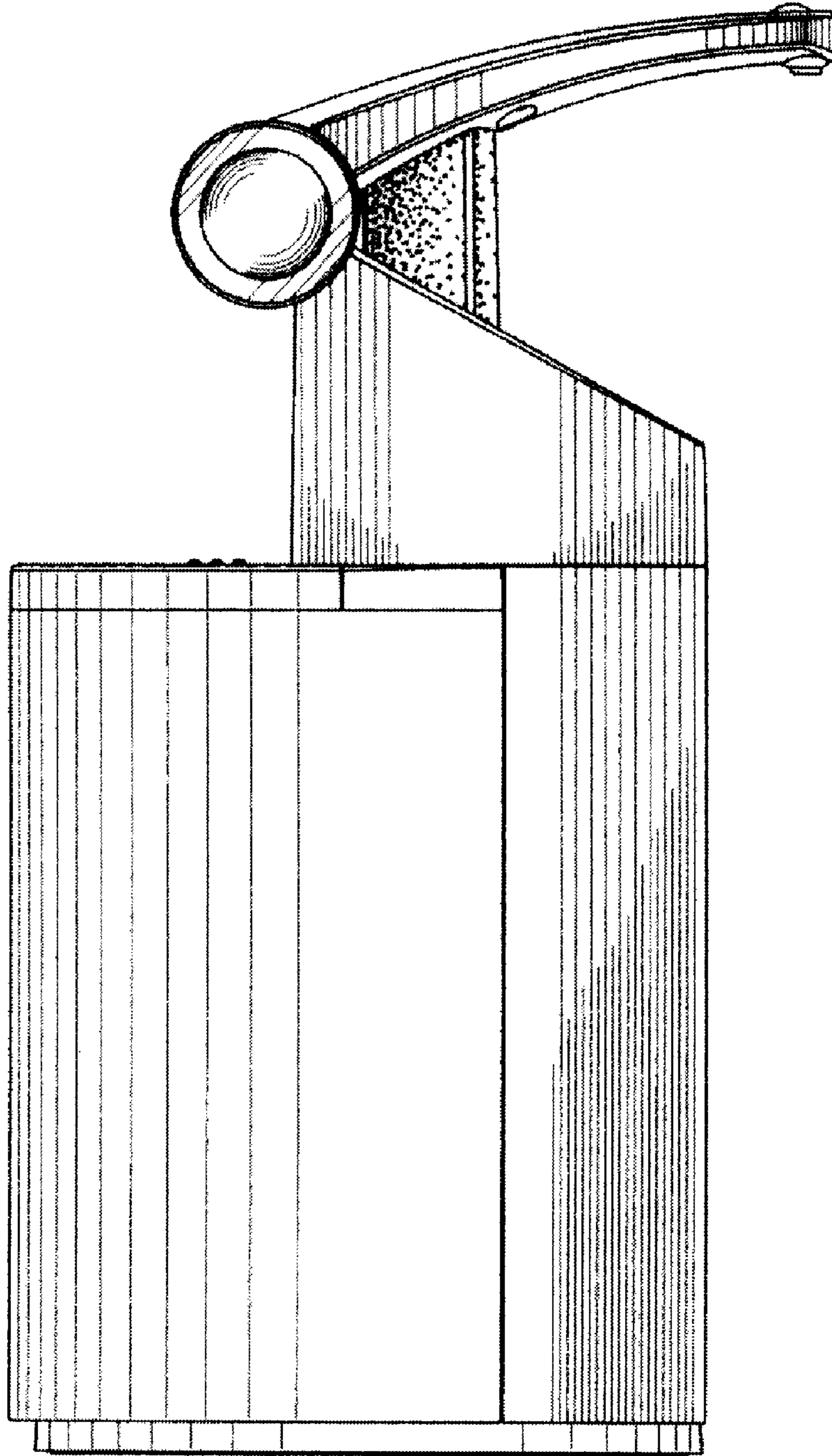


FIG. 5