

US00D530552S

(12) **United States Design Patent**  
**Snell**

(10) **Patent No.:** **US D530,552 S**

(45) **Date of Patent:** **\*\* Oct. 24, 2006**

(54) **TOOTHBRUSH STAND**

D482,222 S \* 11/2003 Dretzka ..... D6/534  
D499,918 S 12/2004 Snell

(75) Inventor: **Russell Benton Snell**, Bentleyville, OH  
(US)

**OTHER PUBLICATIONS**

(73) Assignee: **InterDesign, Inc.**, Solon, OH (US)

2004 InterDesign, Inc. product brochure, pp. 20, 24, 29, 31  
w/front and back cover.

(\*\*) Term: **14 Years**

\* cited by examiner

(21) Appl. No.: **29/254,359**

*Primary Examiner*—Brian N Vinson

(22) Filed: **Feb. 22, 2006**

(74) *Attorney, Agent, or Firm*—D. Peter Hochberg; Sean  
Mellino

(51) **LOC (8) Cl.** ..... **06-02**

(57) **CLAIM**

(52) **U.S. Cl.** ..... **D6/534**

The ornamental design for a toothbrush stand, as shown and  
described.

(58) **Field of Classification Search** ..... D6/524,  
D6/526, 527, 528, 534; 206/228, 208, 209,  
206/209.1, 361, 362, 362.1, 362.2, 362.3;  
211/13.1, 65, 66, 70.6, 86.01, 87.01

**DESCRIPTION**

See application file for complete search history.

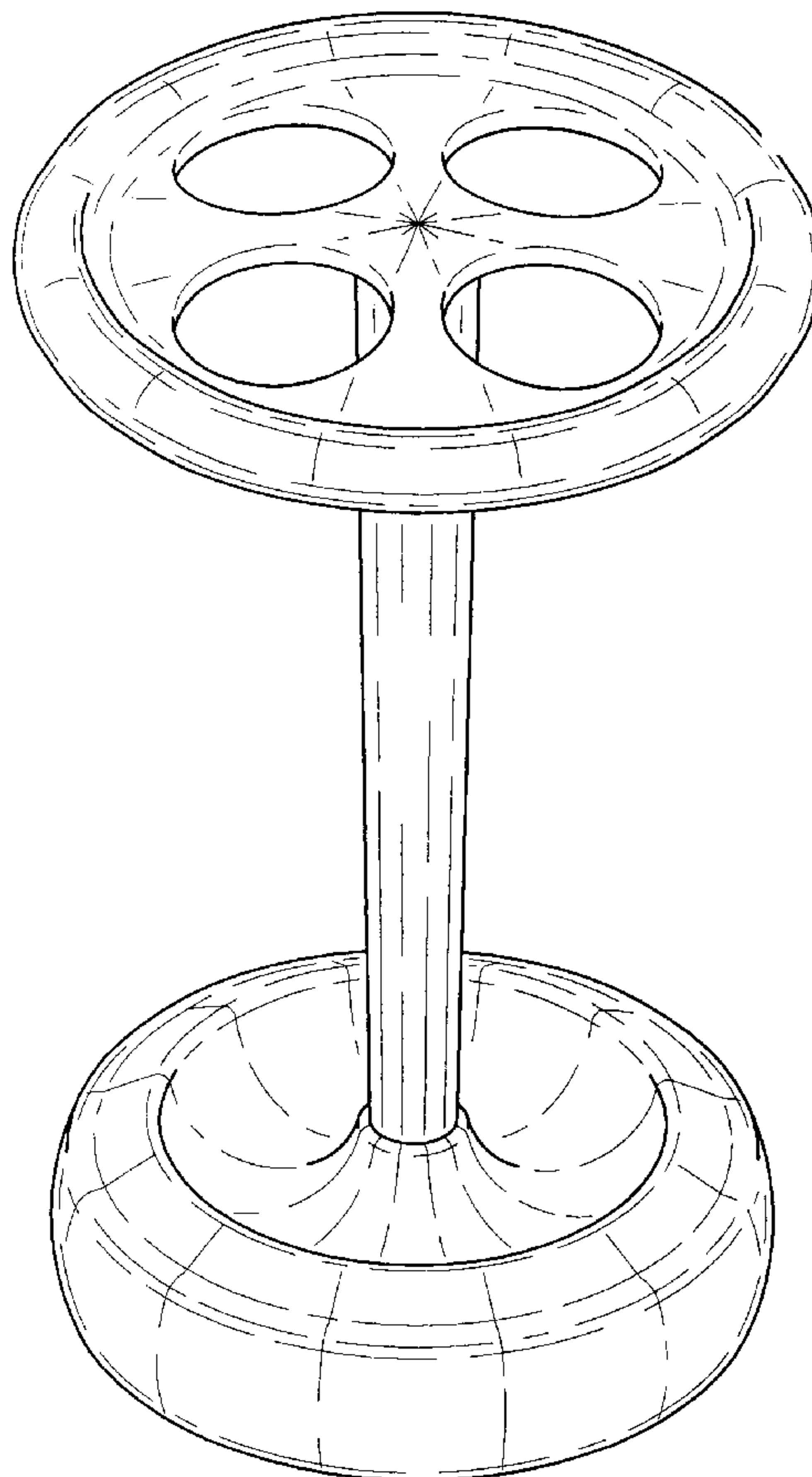
FIG. 1 is a perspective view of the toothbrush stand accord-  
ing to the invention;  
FIG. 2 is a side view of the toothbrush stand as shown in  
FIG. 1;  
FIG. 3 is a top view of the toothbrush stand as shown in FIG.  
1; and,  
FIG. 4 is a bottom view of the toothbrush stand as shown in  
FIG. 1.

(56) **References Cited**

**U.S. PATENT DOCUMENTS**

- D312,182 S \* 11/1990 Ritchie ..... D6/528
- D418,706 S \* 1/2000 Robshaw ..... D6/534
- D425,255 S \* 5/2000 Chen ..... D6/526
- D477,734 S \* 7/2003 Snell ..... D6/534
- D478,231 S \* 8/2003 Snell ..... D6/534

**1 Claim, 1 Drawing Sheet**



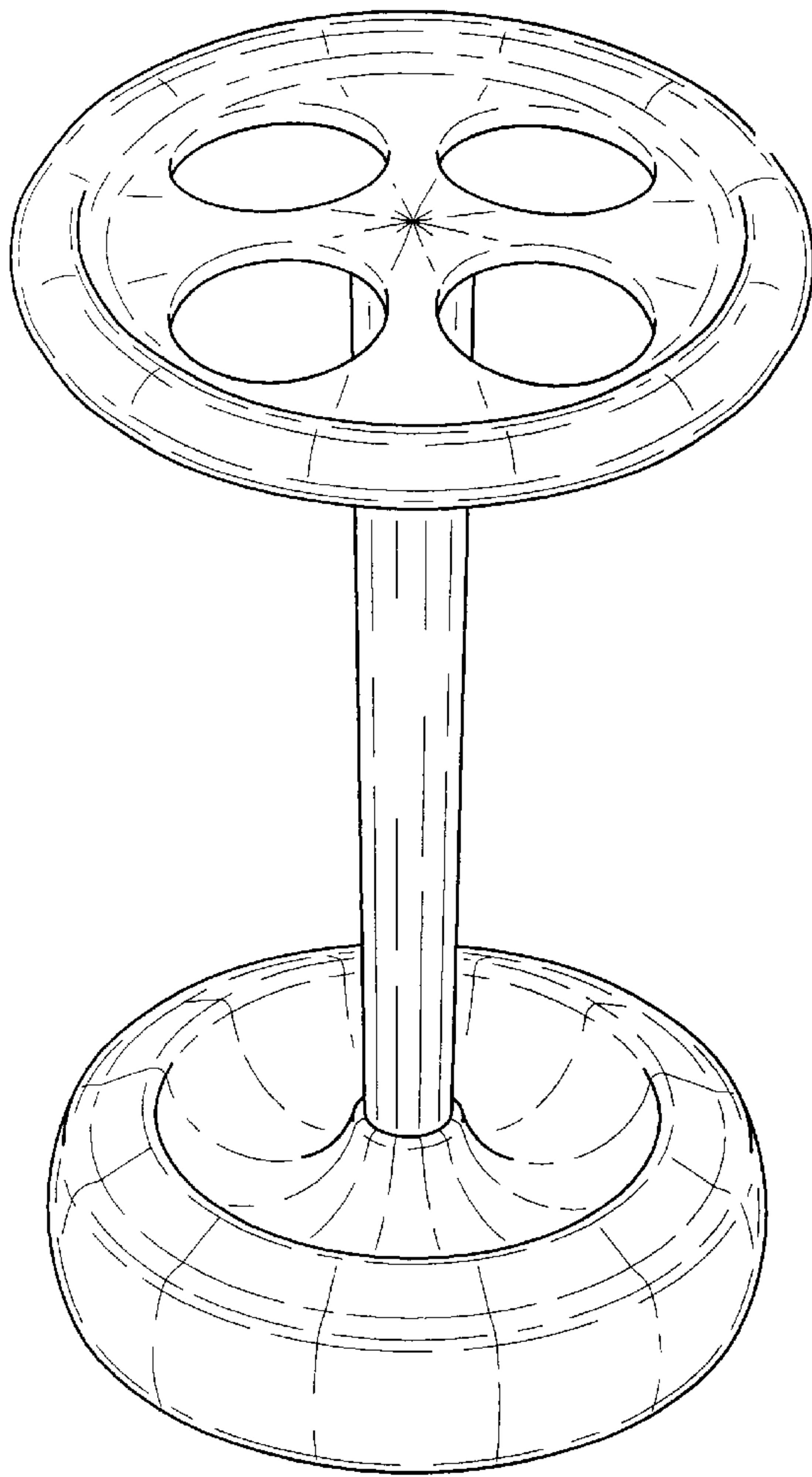


FIG-1

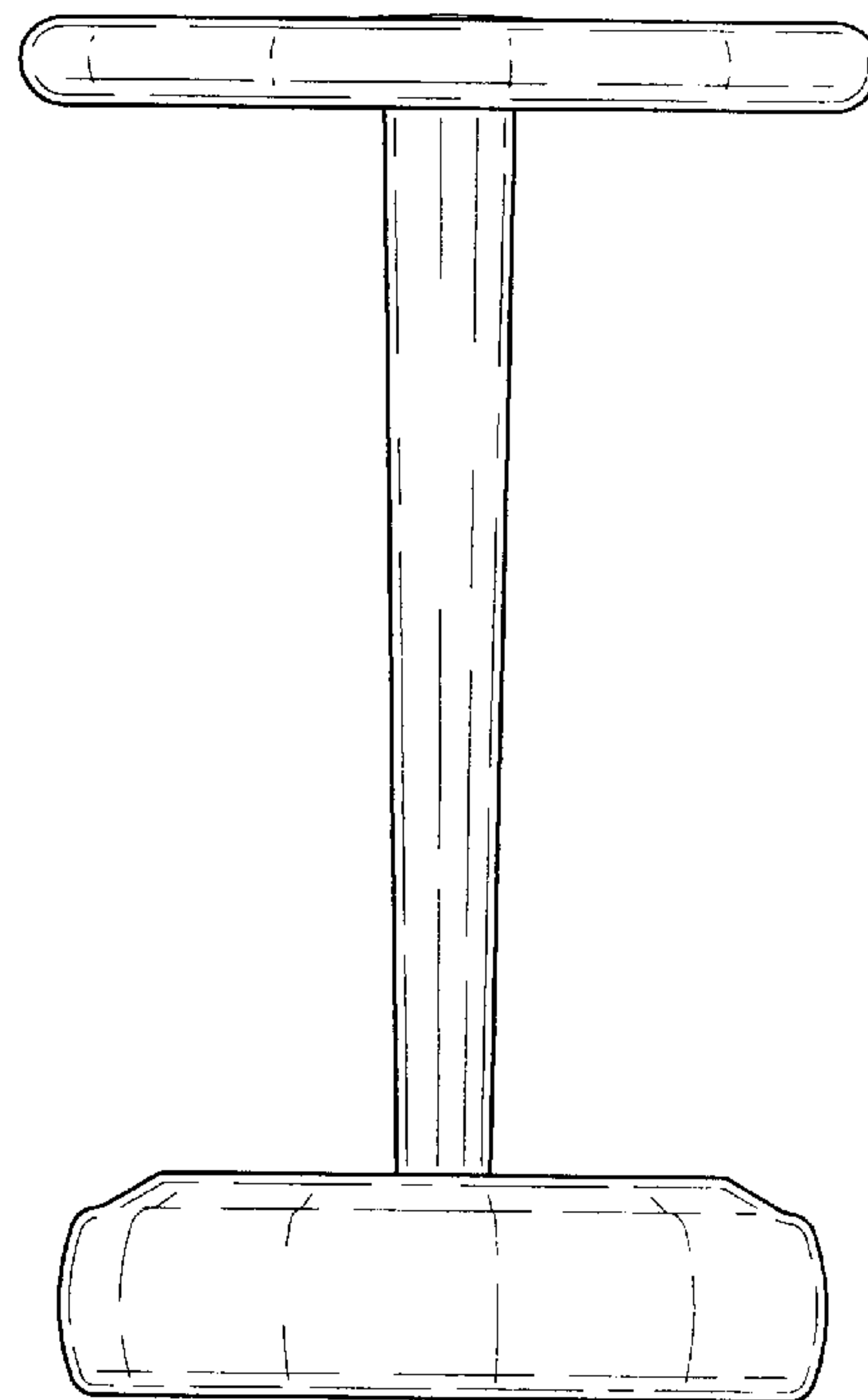


FIG-2

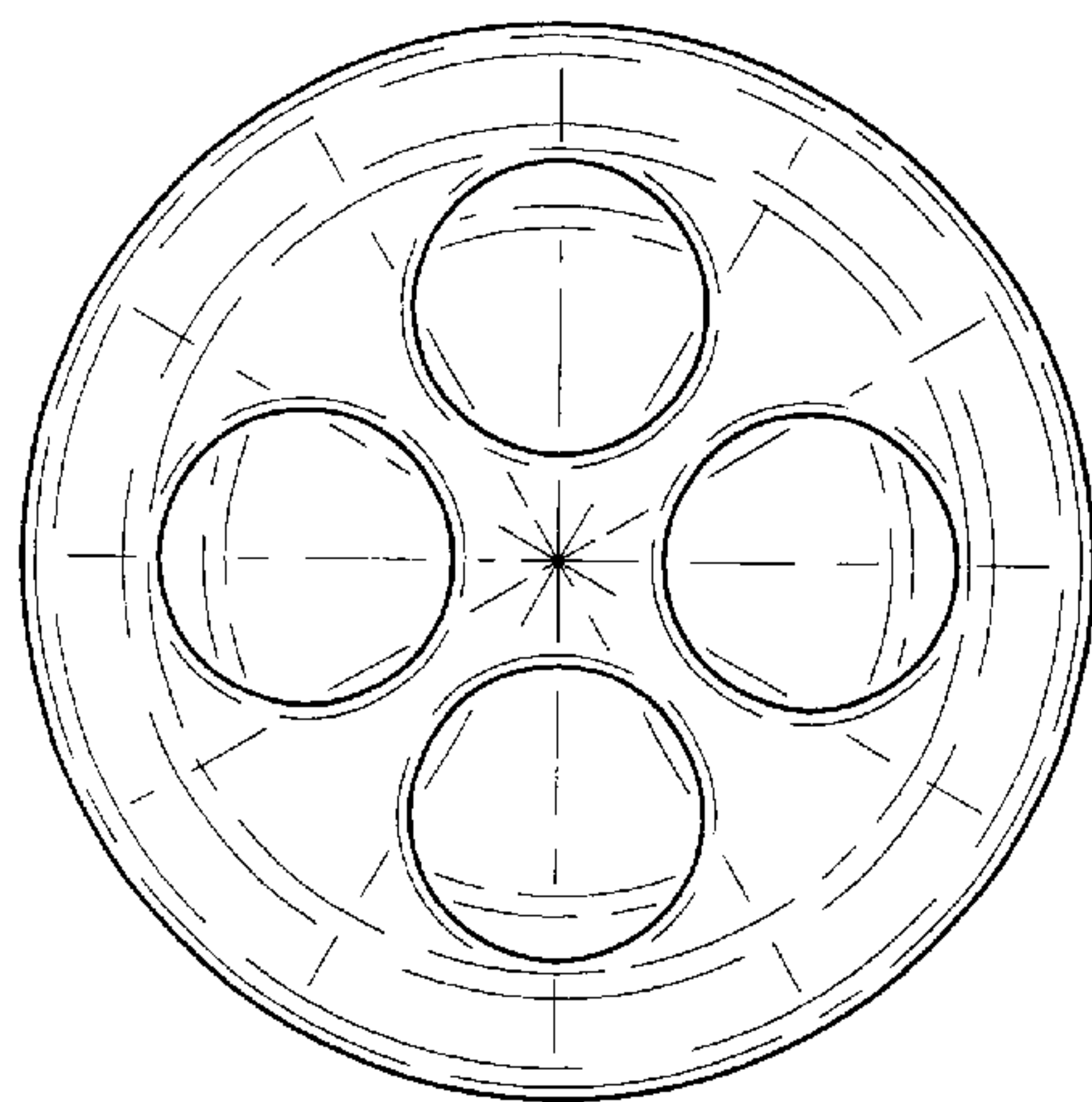


FIG-3

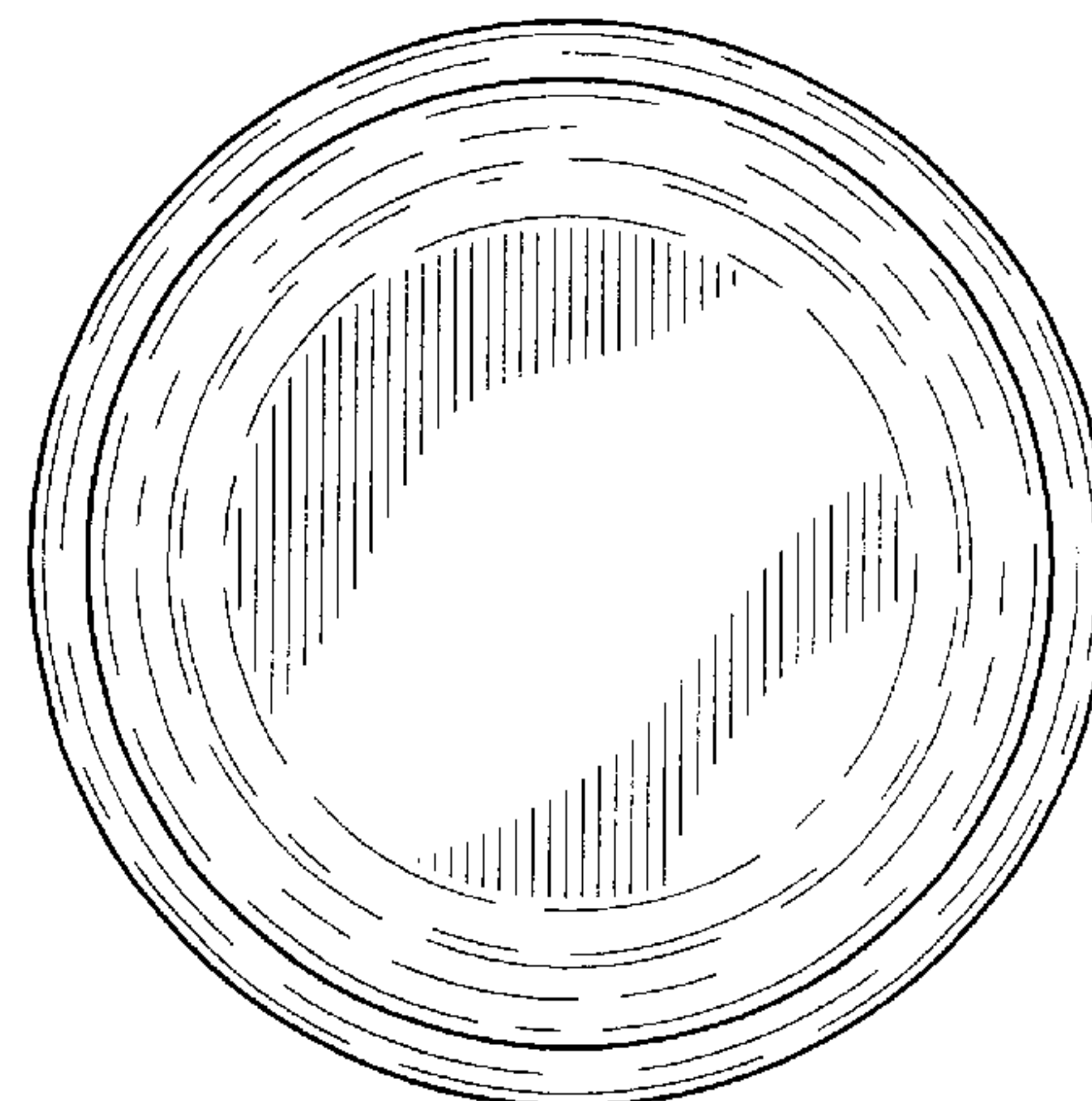


FIG-4