



US00D530551S

(12) **United States Design Patent** (10) **Patent No.:** **US D530,551 S**
Snell (45) **Date of Patent:** **** Oct. 24, 2006**

(54) **BATHROOM UTENSIL CADDY**

(75) Inventor: **Russell Benton Snell**, Bentleyville, OH (US)
(73) Assignee: **InterDesign, Inc.**, Solon, OH (US)
(**) Term: **14 Years**

(21) Appl. No.: **29/231,253**
(22) Filed: **Jun. 2, 2005**

(51) **LOC (8) Cl.** **07-07**
(52) **U.S. Cl.** **D6/525**
(58) **Field of Classification Search** D6/524,
D6/525, 566, 536, 540; 211/13.1, 74, 71.01,
211/86.01, 75, 88.01, 90.01, 90.03, 106, 119,
211/126.1, 133.5, 181.1, 134
See application file for complete search history.

(56) **References Cited**

U.S. PATENT DOCUMENTS

D446,670 S	*	8/2001	Emery et al.	D6/525
D477,947 S	*	8/2003	Snell	D6/525
D479,073 S		9/2003	Snell		
D479,074 S	*	9/2003	Snell	D6/525
D489,207 S	*	5/2004	Rosen	D6/525
D496,549 S		9/2004	Snell		
D498,102 S	*	11/2004	Snell	D6/525
D512,861 S	*	12/2005	Rosen	D6/525

OTHER PUBLICATIONS

InterDesign 2002 product catalog, 2002, p. 14 with front and rear cover pages.

* cited by examiner

Primary Examiner—Brian N Vinson

(74) *Attorney, Agent, or Firm*—D. Peter Hochberg; Sean Mellino

(57) **CLAIM**

The ornamental design for a bathroom utensil caddy, as shown and described.

DESCRIPTION

FIG. 1 is a perspective view of the bathroom utensil caddy according to the invention;

FIG. 2 is a top view of the bathroom utensil caddy as shown in FIG. 1;

FIG. 3 is a front view of the bathroom utensil caddy as shown in FIG. 1;

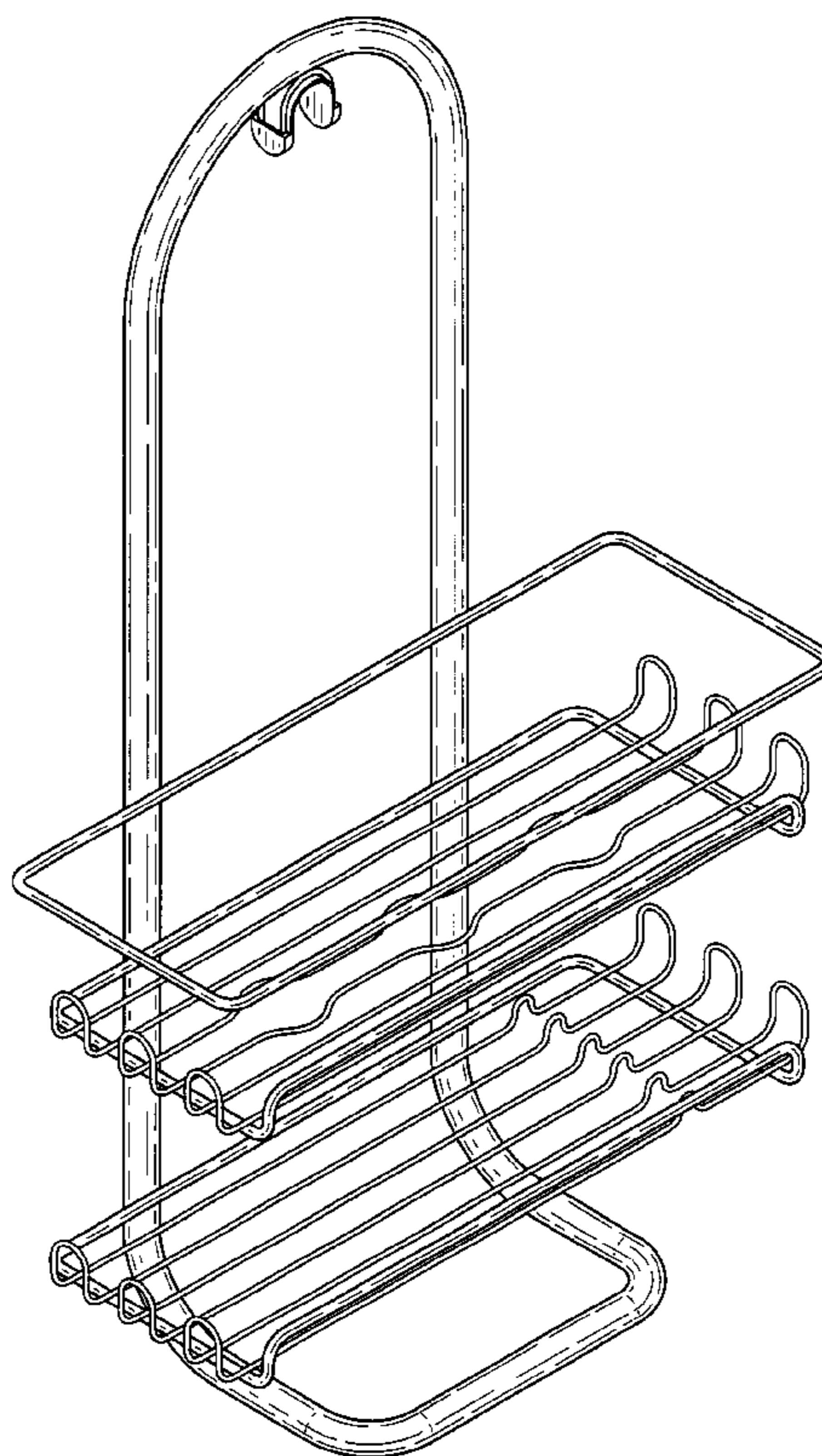
FIG. 4 is a side view of the bathroom utensil caddy as shown in FIG. 1;

FIG. 5 is a rear view of the bathroom utensil caddy as shown in FIG. 1;

FIG. 6 is a side view of the bathroom utensil caddy as shown in FIG. 1, viewed from the opposite side of that shown in FIG. 4; and,

FIG. 7 is a bottom view of the bathroom utensil caddy as shown in FIG. 1.

1 Claim, 3 Drawing Sheets



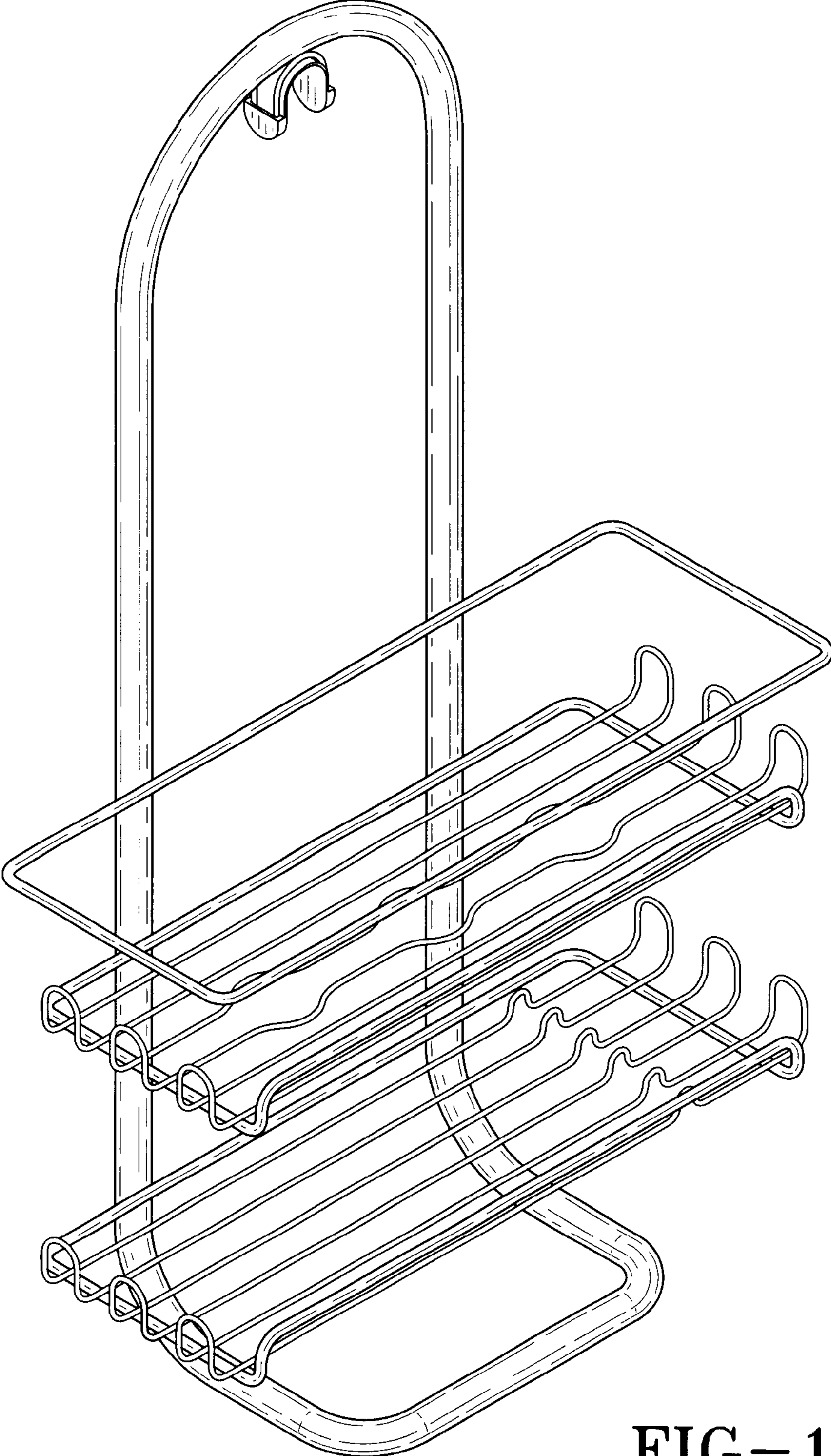


FIG-1

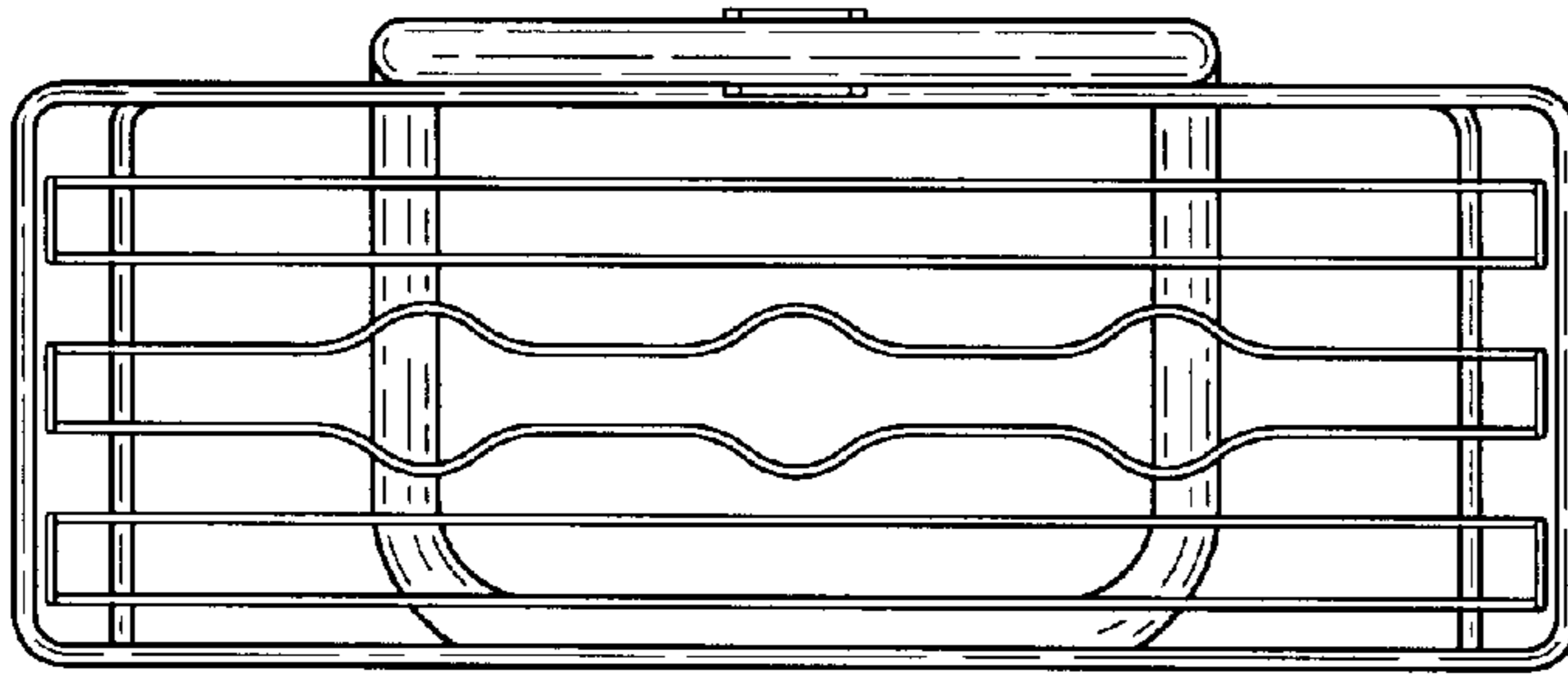


FIG-2

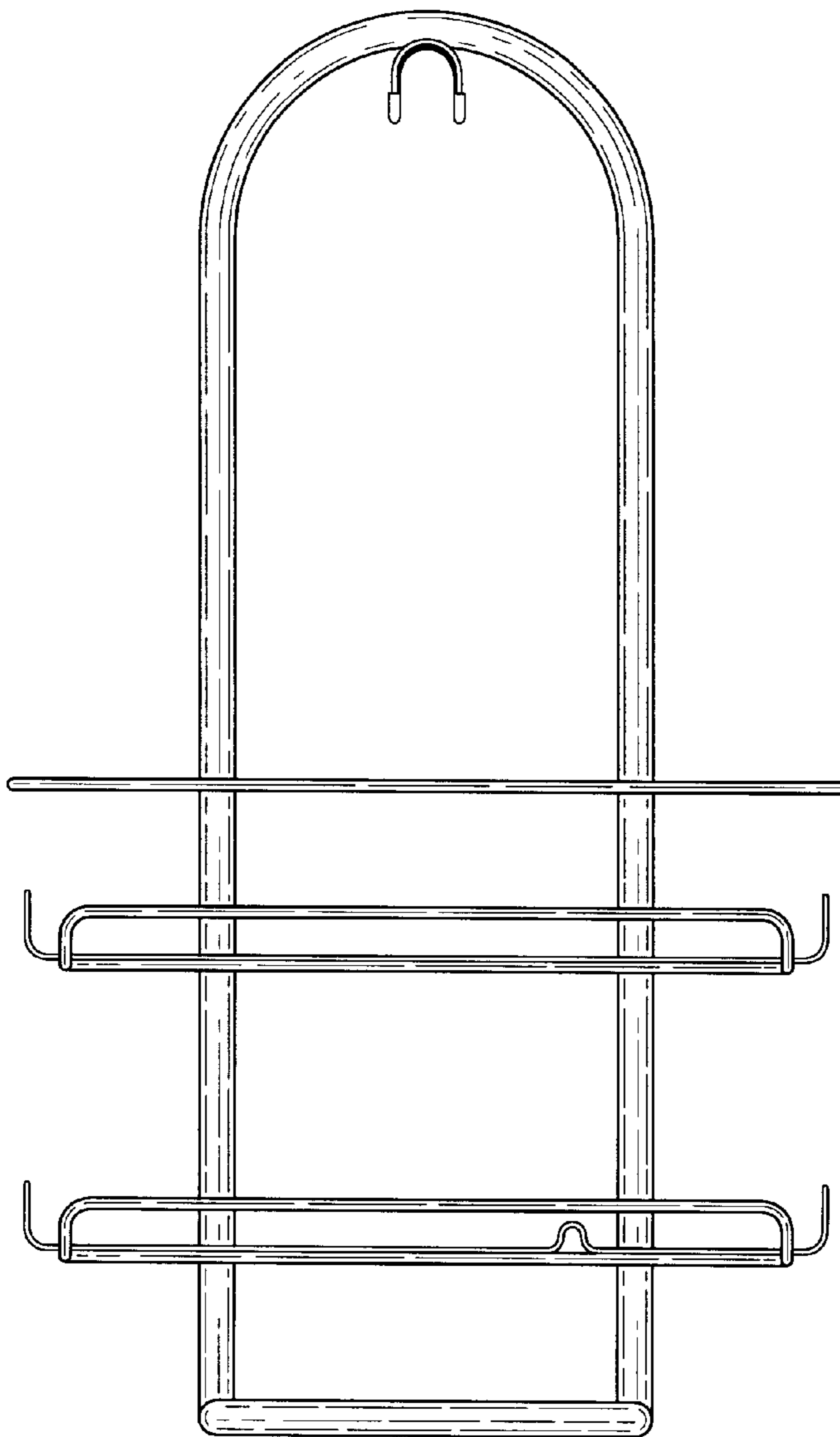


FIG-3

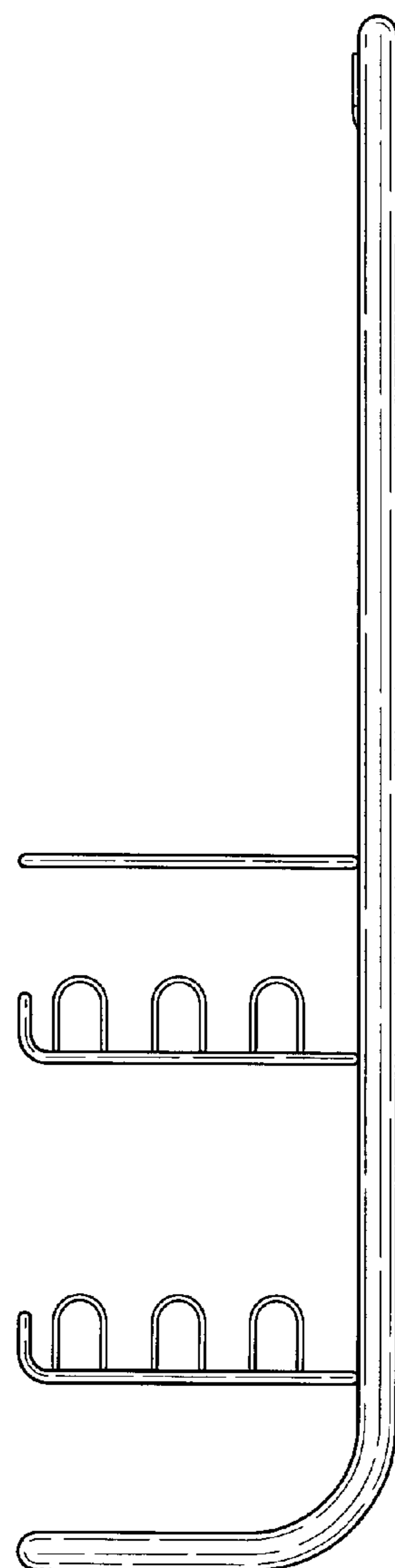


FIG-4

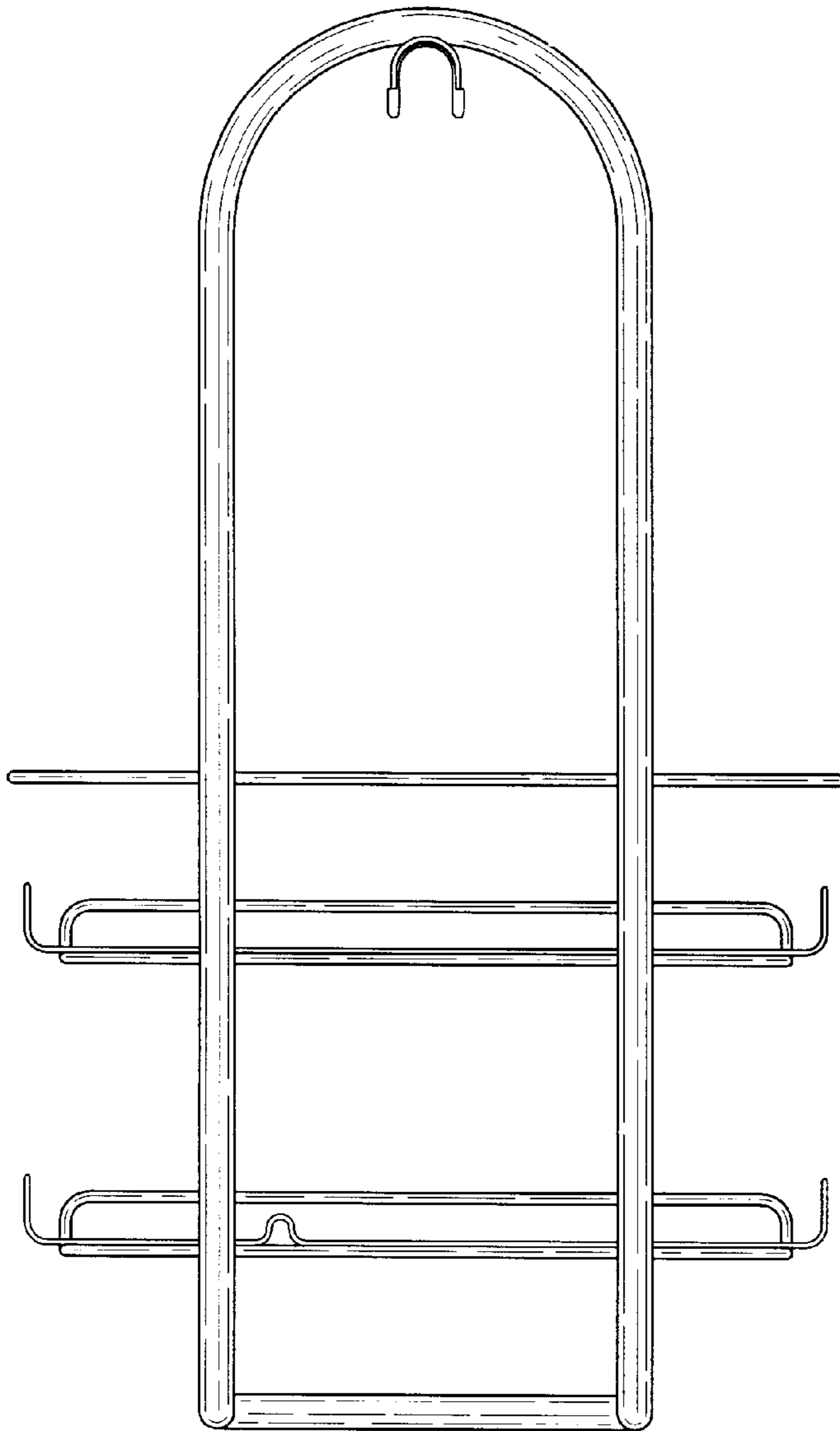


FIG-5

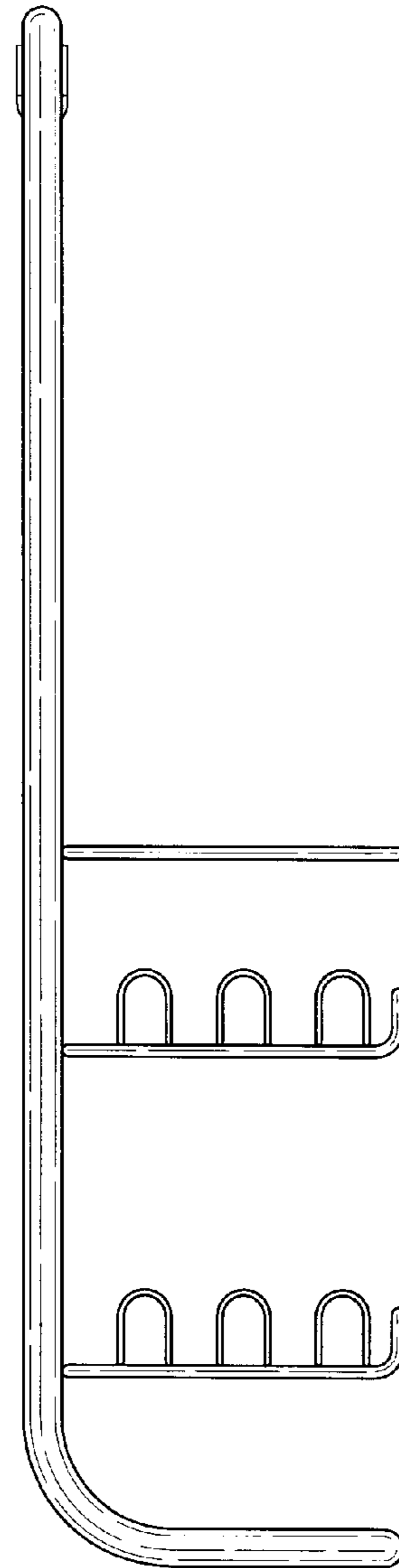


FIG-6

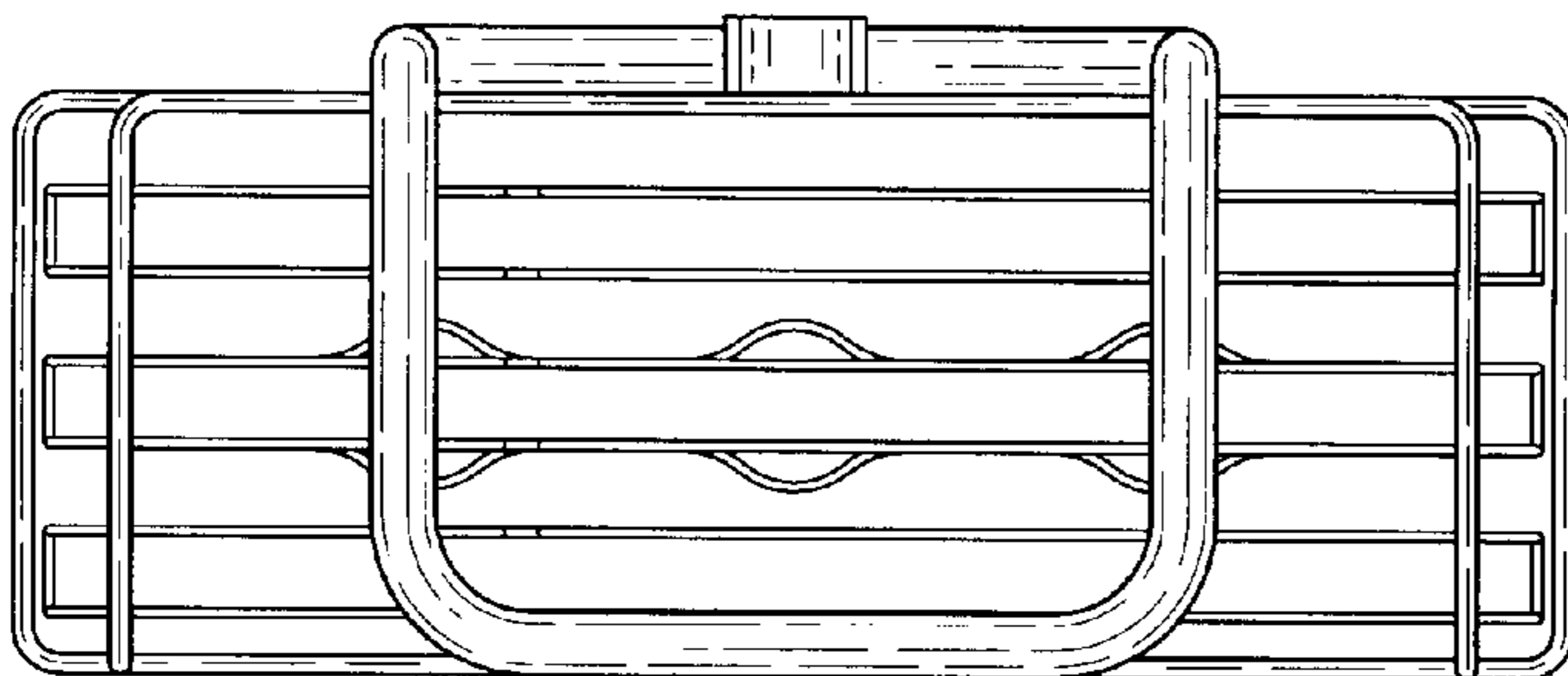


FIG-7