



US00D530549S

(12) **United States Design Patent**  
**Yang et al.**

(10) **Patent No.:** **US D530,549 S**  
(45) **Date of Patent:** **\*\* Oct. 24, 2006**

(54) **PAPER TOWEL HOLDER**  
(75) Inventors: **Frank Yang**, Rancho Palos Verdes, CA  
(US); **Myk Wayne Lum**, Irvine, CA  
(US); **Tzu-Hao Wei**, Hacienda Heights,  
CA (US)  
(73) Assignee: **Simplehuman LLC**, Los Angeles, CA  
(US)  
(\*\*) Term: **14 Years**

D432,828 S \* 10/2000 Snell ..... D6/522  
D474,360 S \* 5/2003 Yip ..... D6/521  
D479,072 S \* 9/2003 Duncan et al. .... D6/521  
D489,558 S \* 5/2004 Snell ..... D6/521  
D499,916 S \* 12/2004 Yang et al. .... D6/521  
D507,716 S \* 7/2005 Snow et al. .... D6/521  
2004/0104300 A1 6/2004 Friesen  
2004/0140389 A1 7/2004 Moratto  
2004/0159738 A1 8/2004 Duncan et al.  
2004/0195429 A1 10/2004 Demers et al.

\* cited by examiner

(21) Appl. No.: **29/243,783**  
(22) Filed: **Nov. 29, 2005**

*Primary Examiner*—Brian N Vinson  
(74) *Attorney, Agent, or Firm*—Raymond Sun

**Related U.S. Application Data**

(63) Continuation-in-part of application No. 29/235,363, filed on  
Aug. 1, 2005.  
(51) **LOC (8) Cl.** ..... **20-02**  
(52) **U.S. Cl.** ..... **D6/521**  
(58) **Field of Classification Search** ..... D6/518–523;  
206/389, 391; 211/13.1, 59.1, 45, 89.01;  
242/570, 590, 597, 597.7, 130.2; 248/309.1,  
248/309.2  
See application file for complete search history.

(57) **CLAIM**

The ornamental design for a paper towel holder, as shown  
and described.

**DESCRIPTION**

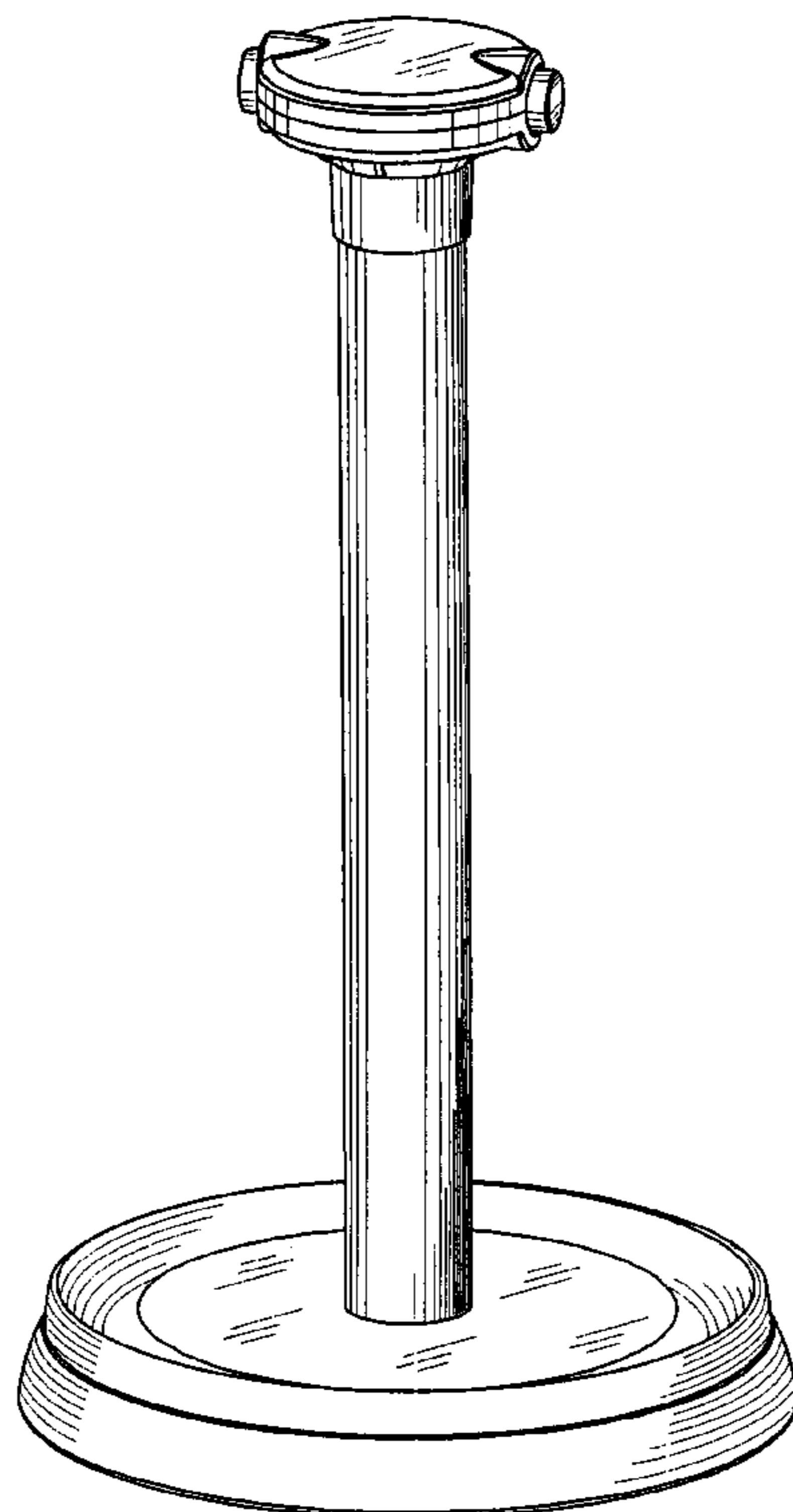
FIG. 1 is a perspective view of a paper towel holder showing  
my new design.  
FIG. 2 is a top plan view of the paper towel holder of FIG.  
1.  
FIG. 3 is a side plan view of the paper towel holder of FIG.  
1; the other side view being symmetrical; and,  
FIG. 4 is a front plan view of the paper towel holder of FIG.  
1; the rear view being symmetrical.

(56) **References Cited**

**U.S. PATENT DOCUMENTS**

D298,597 S \* 11/1988 Bell ..... D6/521

**1 Claim, 4 Drawing Sheets**



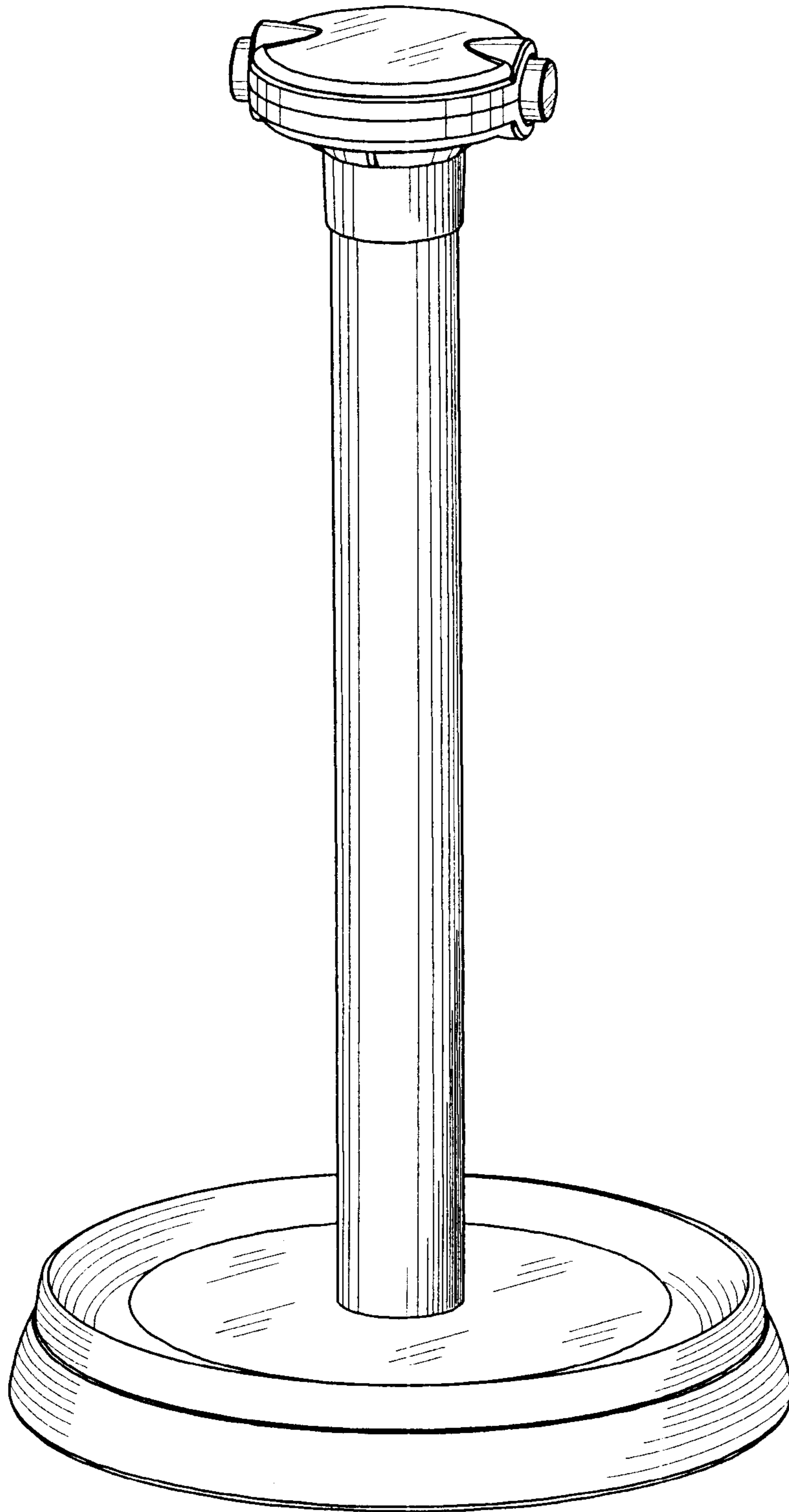


FIG. 1

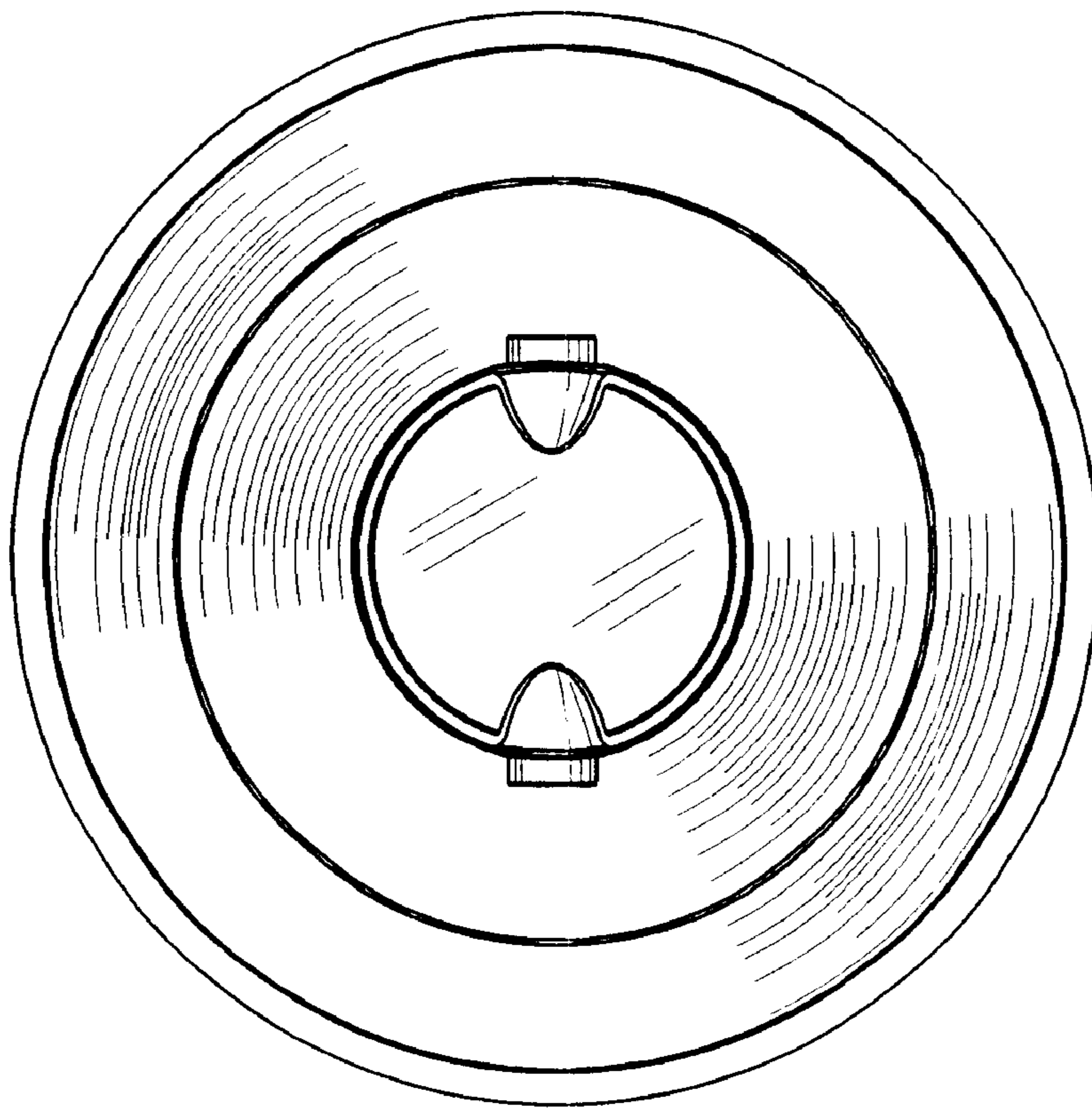


FIG. 2

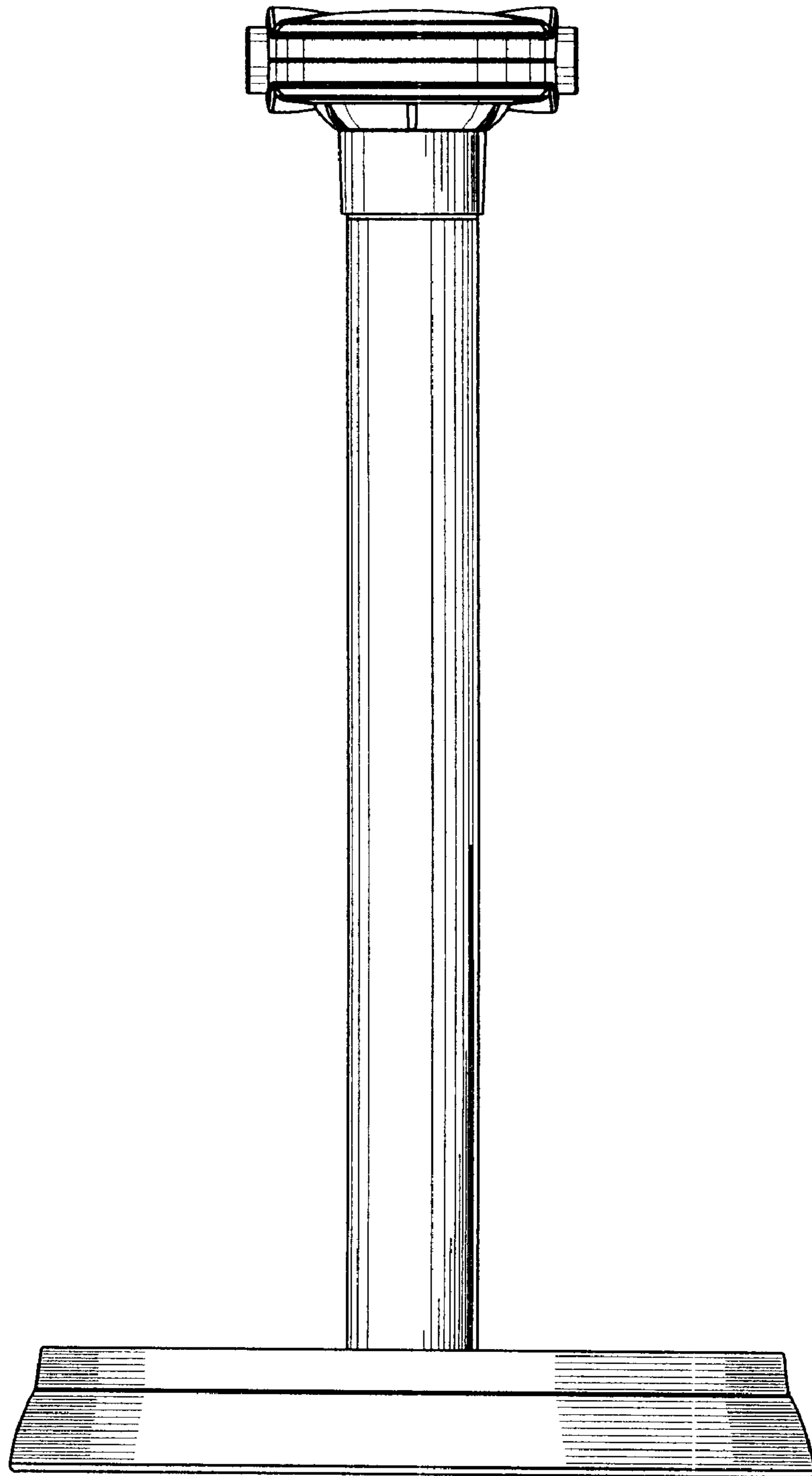


FIG. 3

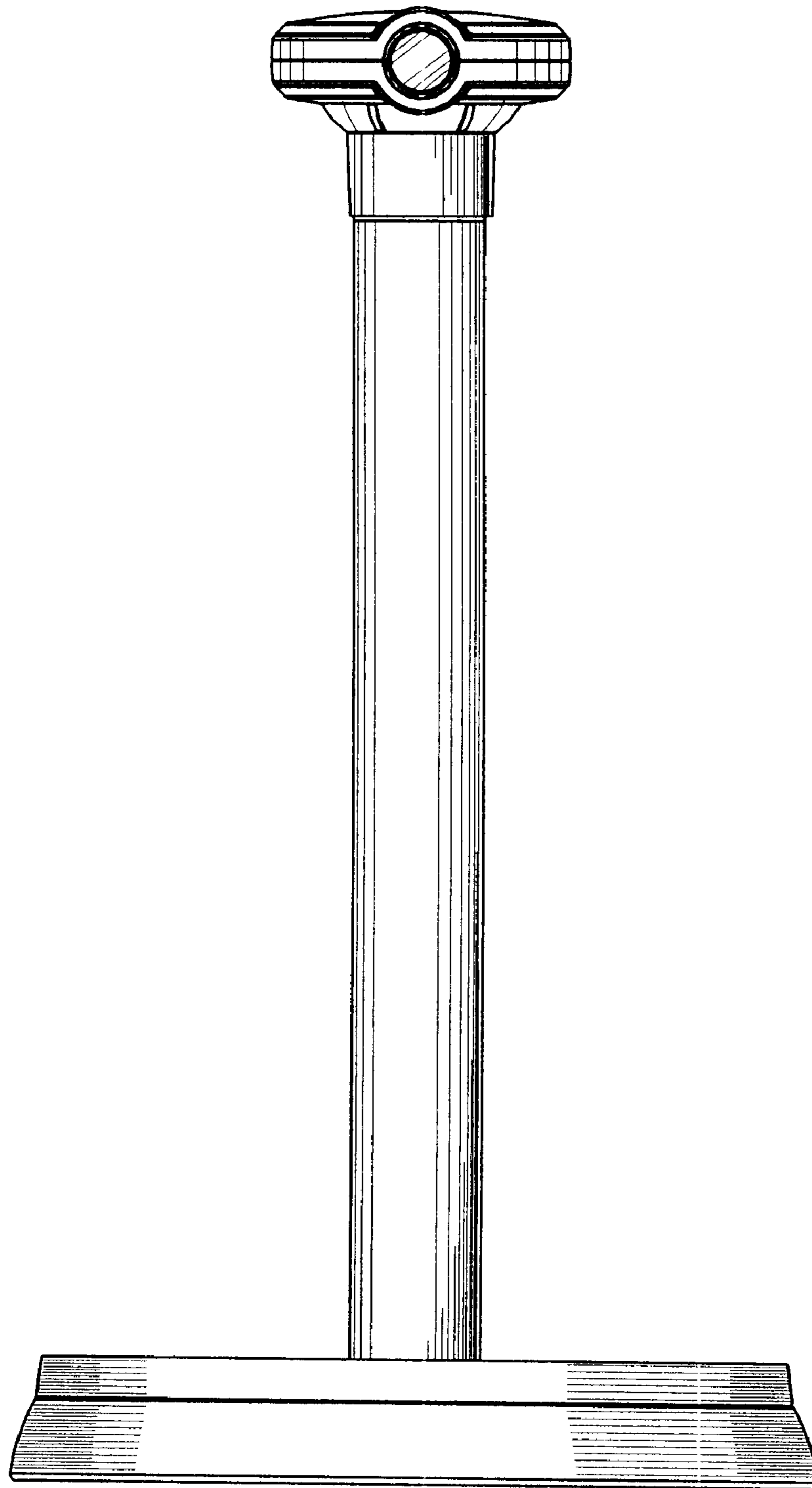


FIG. 4