



US00D530547S

(12) **United States Design Patent**
Henriott et al.

(10) **Patent No.:** **US D530,547 S**

(45) **Date of Patent:** **** Oct. 24, 2006**

(54) **FURNITURE CABLE GROMMET EDGE**

(75) Inventors: **Jay M Henriott**, Jasper, IN (US);
Kevin R Rauscher, Celestine, IN (US);
Airen R Springer, Jasper, IN (US)

(73) Assignee: **Kimball International, Inc.**, Jasper, IN (US)

(**) Term: **14 Years**

(21) Appl. No.: **29/221,543**

(22) Filed: **Jan. 18, 2005**

(51) **LOC (8) Cl.** **06-03**

(52) **U.S. Cl.** **D6/491; D6/509**

(58) **Field of Classification Search** D6/422-426,
D6/429, 480, 509, 474, 491, 492; 108/50.01,
108/50.02, 147.19; 312/194-196, 203, 239,
312/223.1, 223.6; D13/155

See application file for complete search history.

D294,544 S	3/1988	Kyle	D6/428
D296,165 S	6/1988	Ferguson et al.	D6/422
4,884,513 A	12/1989	Newhouse et al.	108/50
D321,103 S	* 10/1991	Duffey	D6/491
D324,789 S	3/1992	White	D6/445
D324,963 S	3/1992	LaCour	D6/422
D325,309 S	4/1992	Worrell	D6/509
5,272,988 A	12/1993	Kelley et al.	108/50
D348,578 S	* 7/1994	Keller	D6/484
D353,063 S	12/1994	Brinkmann	D6/428
D358,069 S	5/1995	Brinkmann	D6/491
5,690,403 A	11/1997	Ellison et al.	312/223.6
D412,490 S	* 8/1999	Henry	D13/155
6,457,422 B1	10/2002	Saul	108/50.02
D473,728 S	4/2003	Chang	D6/422
6,578,498 B1	6/2003	Draudt et al.	108/50.02
D477,161 S	7/2003	de Blois	D6/491
6,629,615 B1	* 10/2003	Kim	211/85.13
2003/0106702 A1	* 6/2003	Seamans et al.	174/48

* cited by examiner

Primary Examiner—Janice E. Seeger

(74) *Attorney, Agent, or Firm*—Baker & Daniels

(56) **References Cited**

U.S. PATENT DOCUMENTS

D4,212 S	7/1870	Seymour	
D165,243 S	11/1951	Porter	
D179,290 S	11/1956	Herrmann D33/19
D196,833 S	11/1963	Smith, Jr. D10/8
D208,019 S	7/1967	Dottinger D10/8
3,635,174 A	1/1972	Ball et al. 108/150
D223,372 S	4/1972	Allen D6/4
3,787,605 A	1/1974	Van Gessel et al. 174/48
D234,559 S	3/1975	Waitzman D6/3
4,163,867 A	8/1979	Breidenbach 174/48

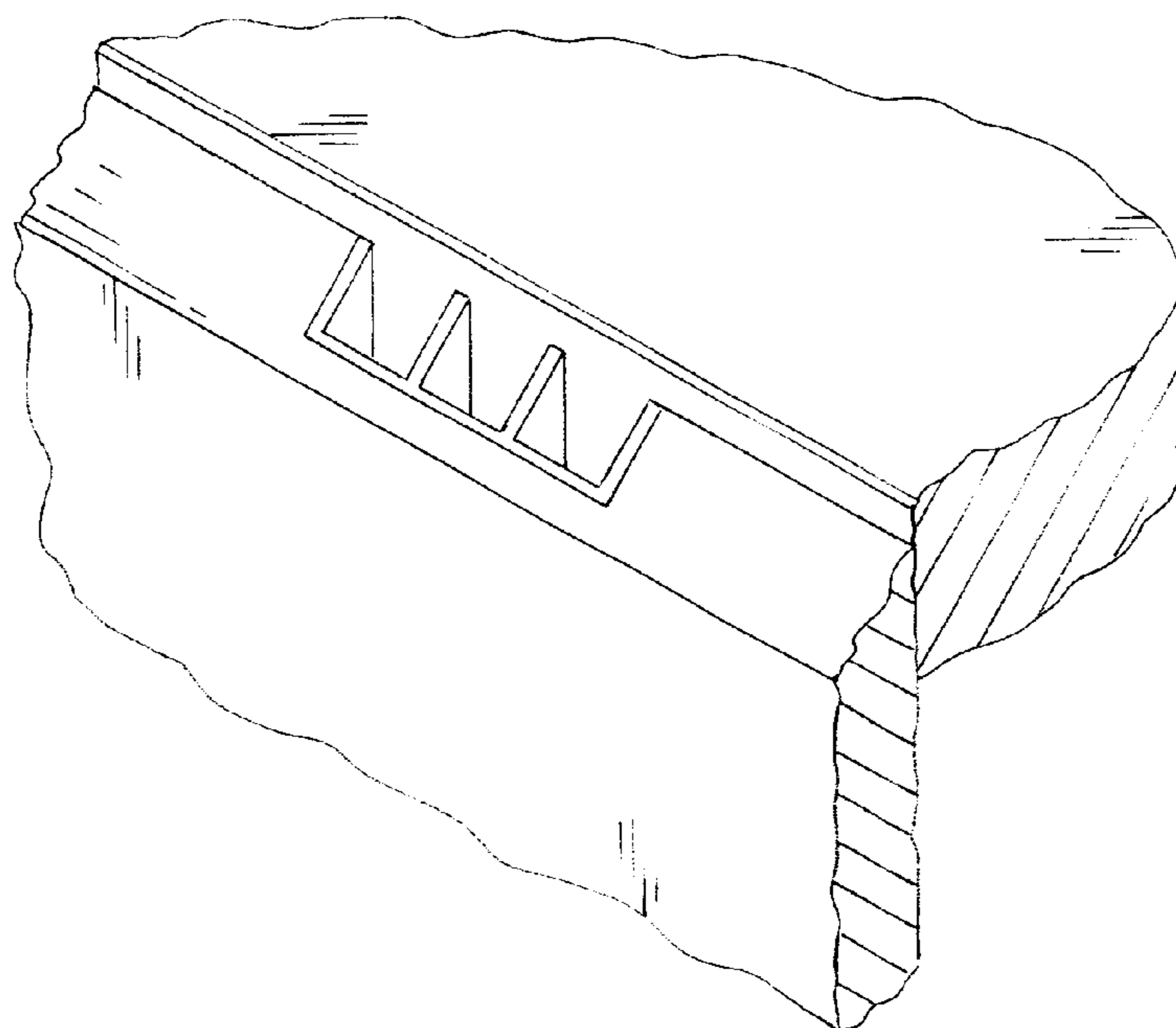
(57) **CLAIM**

The ornamental design of a furniture cable grommet edge, as shown and described.

DESCRIPTION

FIG. 1 is a perspective view of a furniture cable grommet edge, showing our new design; FIG. 2 is a front view thereof; and, FIG. 3 is a top view thereof.

1 Claim, 1 Drawing Sheet



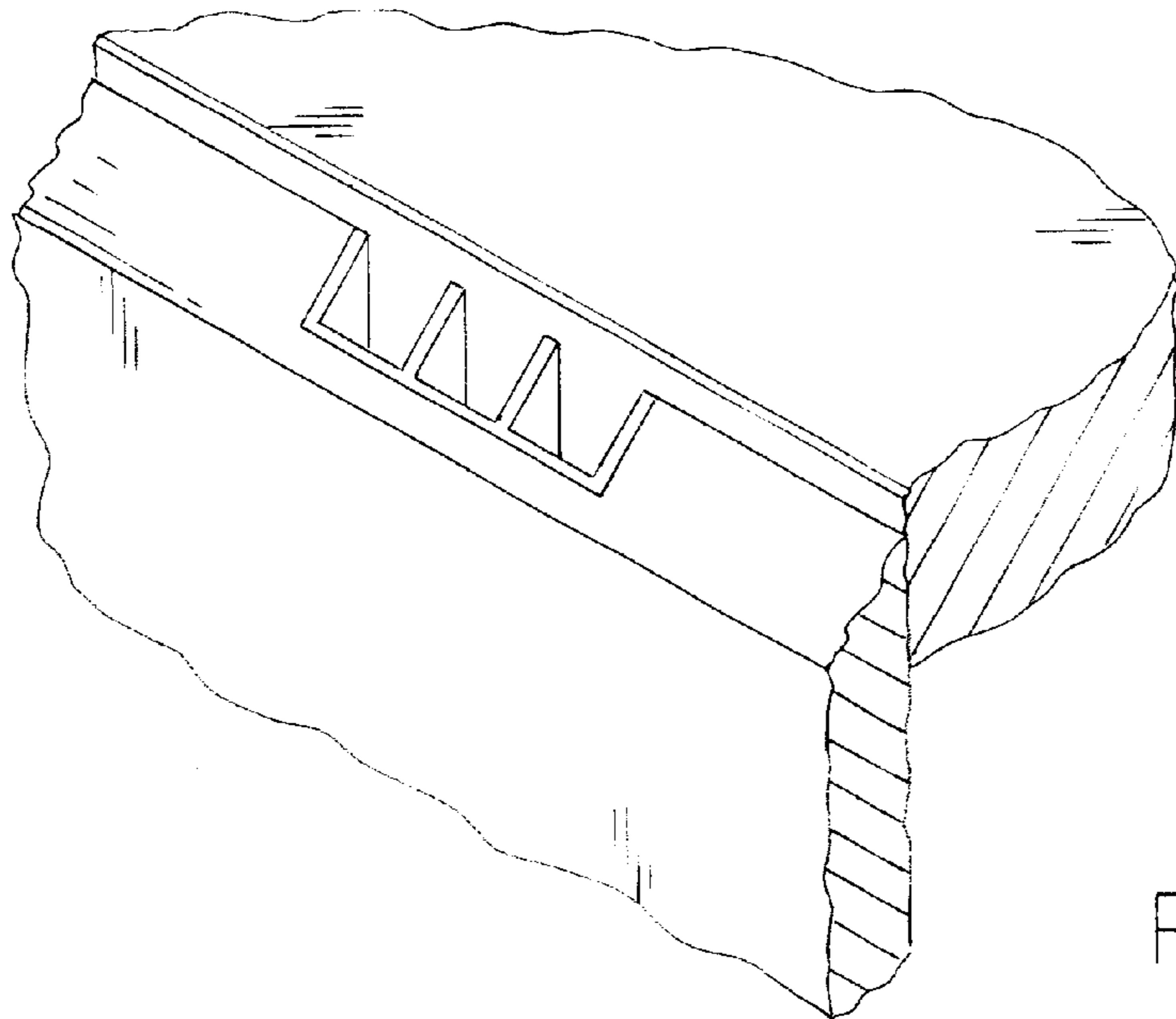


FIG. 1

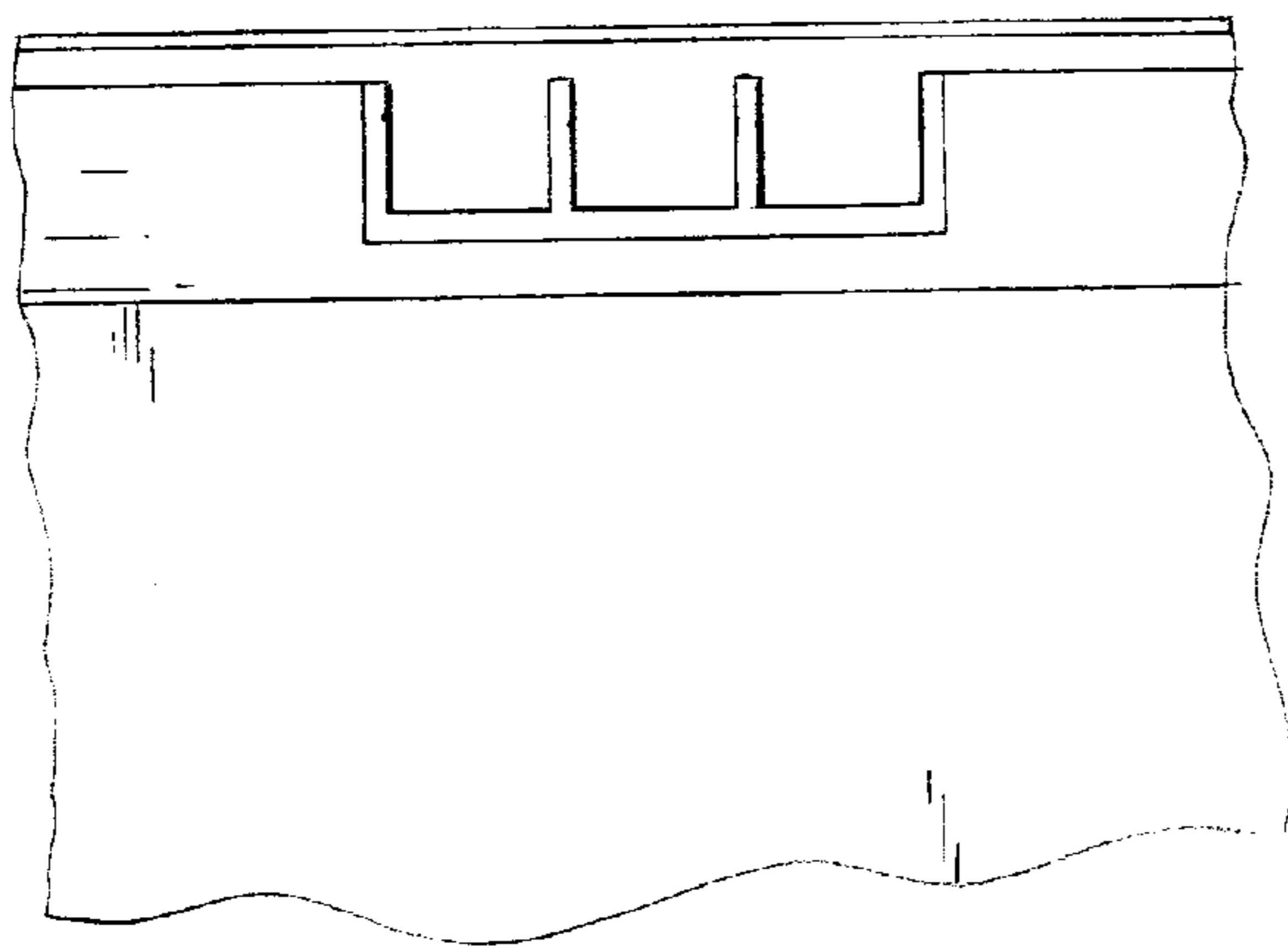


FIG. 2

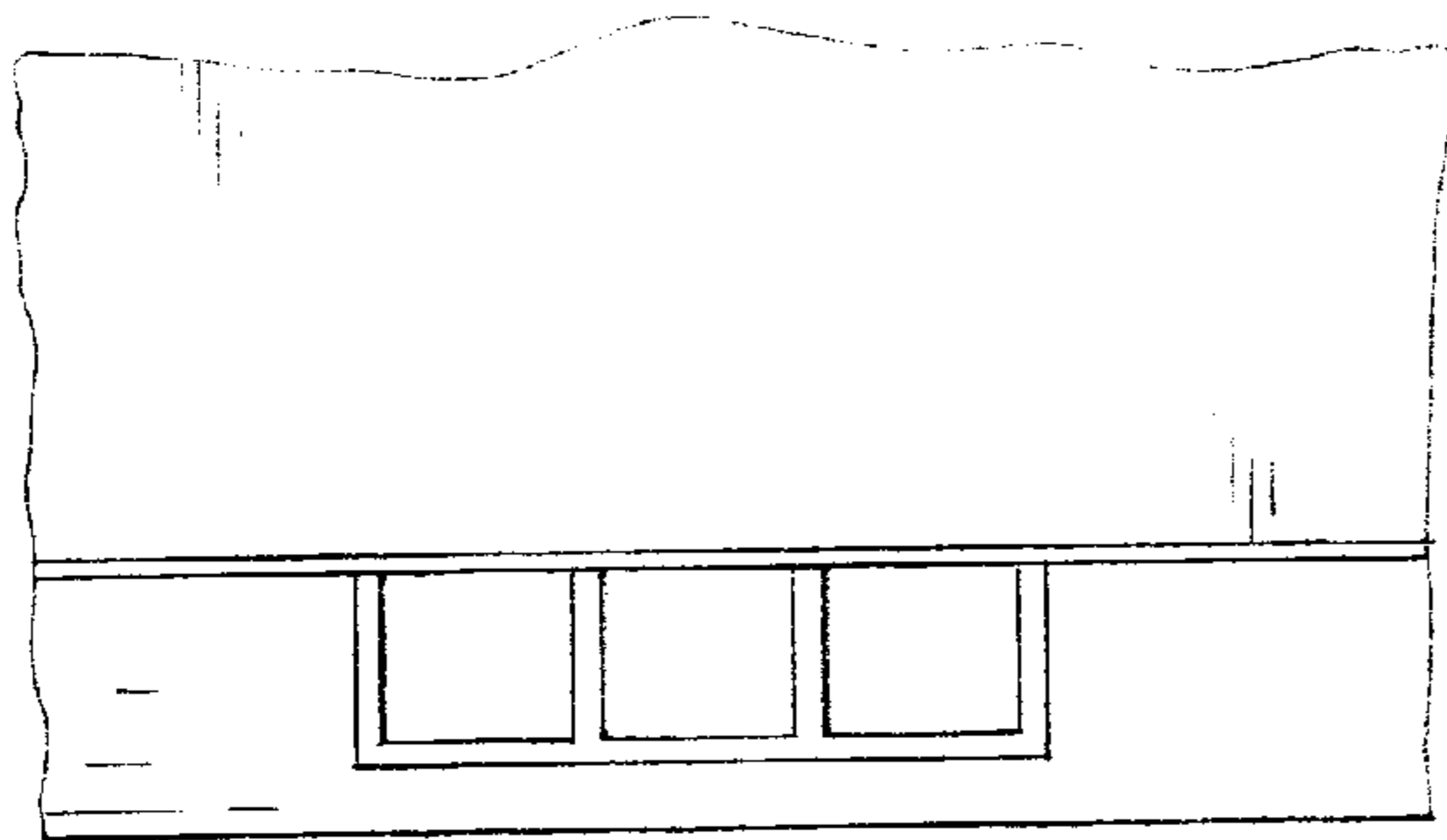


FIG. 3

UNITED STATES PATENT AND TRADEMARK OFFICE
CERTIFICATE OF CORRECTION

PATENT NO. : Des. 530,547 S
APPLICATION NO. : 29/221543
DATED : October 24, 2006
INVENTOR(S) : Jay M. Henriott et al.

Page 1 of 3

It is certified that error appears in the above-identified patent and that said Letters Patent is hereby corrected as shown below:

Title page should be deleted and substitute therefor the attached title page.

Inventors: Title page, item [75] should read -- Kevin [R.] T. Rauscher --

Drawings:

Replace Sheet 1 showing Figs. 1 through 3, with attached sheet showing Figs. 1 through 3 as shown on the attached page.

Signed and Sealed this

Fourth Day of March, 2008

A handwritten signature in black ink that reads "Jon W. Dudas". The signature is written in a cursive style with a large, looped initial "J".

JON W. DUDAS

Director of the United States Patent and Trademark Office

(12) **United States Design Patent** (10) Patent No.: **US D530,547 S**
 Henriott et al. (45) Date of Patent: **** Oct. 24, 2006**

(54) **FURNITURE CABLE GROMMET EDGE**

(75) Inventors: Jay M Henriott, Jasper, IN (US);
 Kevin R Rauscher, Celestine, IN (US);
 Alren R Springer, Jasper, IN (US)

(73) Assignee: Kimball International, Inc., Jasper, IN (US)

(**) Term: 14 Years

(21) Appl. No.: 29/221,543

(22) Filed: Jan. 18, 2005

(51) LOC (8) Cl. 06-03

(52) U.S. Cl. D6/491; D6/509

(58) Field of Classification Search D6/422-426,
 D6/429, 480, 509, 474, 491, 492; 108/50.01,
 108/50.02, 147.19; 312/194-196, 203, 239,
 312/223.1, 223.6; D13/155
 See application file for complete search history.

D294,544 S 3/1988 Kyio D6/428
 D296,165 S 6/1988 Ferguson et al. D6/422
 4,884,513 A 12/1969 Newhouse et al. 108/50
 D321,103 S * 10/1991 Duffey D6/491
 D324,789 S 3/1992 White D6/445
 D324,963 S 3/1992 LaCour D6/422
 D325,309 S 4/1992 Worrell D6/509
 5,272,988 A 12/1993 Kelley et al. 108/50
 D348,578 S * 7/1994 Keller D6/484
 D353,063 S 12/1994 Brinkmann D6/428
 D358,069 S 5/1995 Brinkmann D6/491
 5,690,403 A 11/1997 Ellison et al. 312/223.6
 D412,490 S * 8/1999 Henry D13/155
 6,457,422 B1 10/2002 Sui 108/50.02
 D473,728 S 4/2003 Chang D6/422
 6,578,498 B1 6/2003 Draudt et al. 108/50.02
 D477,161 S 7/2003 de Blois D6/491
 6,629,615 B1 * 10/2003 Kim 211/85.13
 2003/0106702 A1 * 6/2003 Seamans et al. 174/48

* cited by examiner

Primary Examiner—Janice E. Seeger
 (74) Attorney, Agent, or Firm—Baker & Daniels

(56) **References Cited**

U.S. PATENT DOCUMENTS

D4,212 S 7/1870 Seymour
 D165,243 S 11/1951 Foster
 D179,290 S 11/1956 Herrmann D33/19
 D196,833 S 11/1963 Smith, Jr. D10/8
 D208,019 S 7/1967 Dottinger D10/8
 3,635,174 A 1/1972 Ball et al. 108/150
 D223,372 S 4/1972 Allen D6/4
 3,787,605 A 1/1974 Van Gessel et al. 174/48
 D234,559 S 3/1975 Waitzman D6/3
 4,163,867 A 8/1979 Brendenbach 174/48

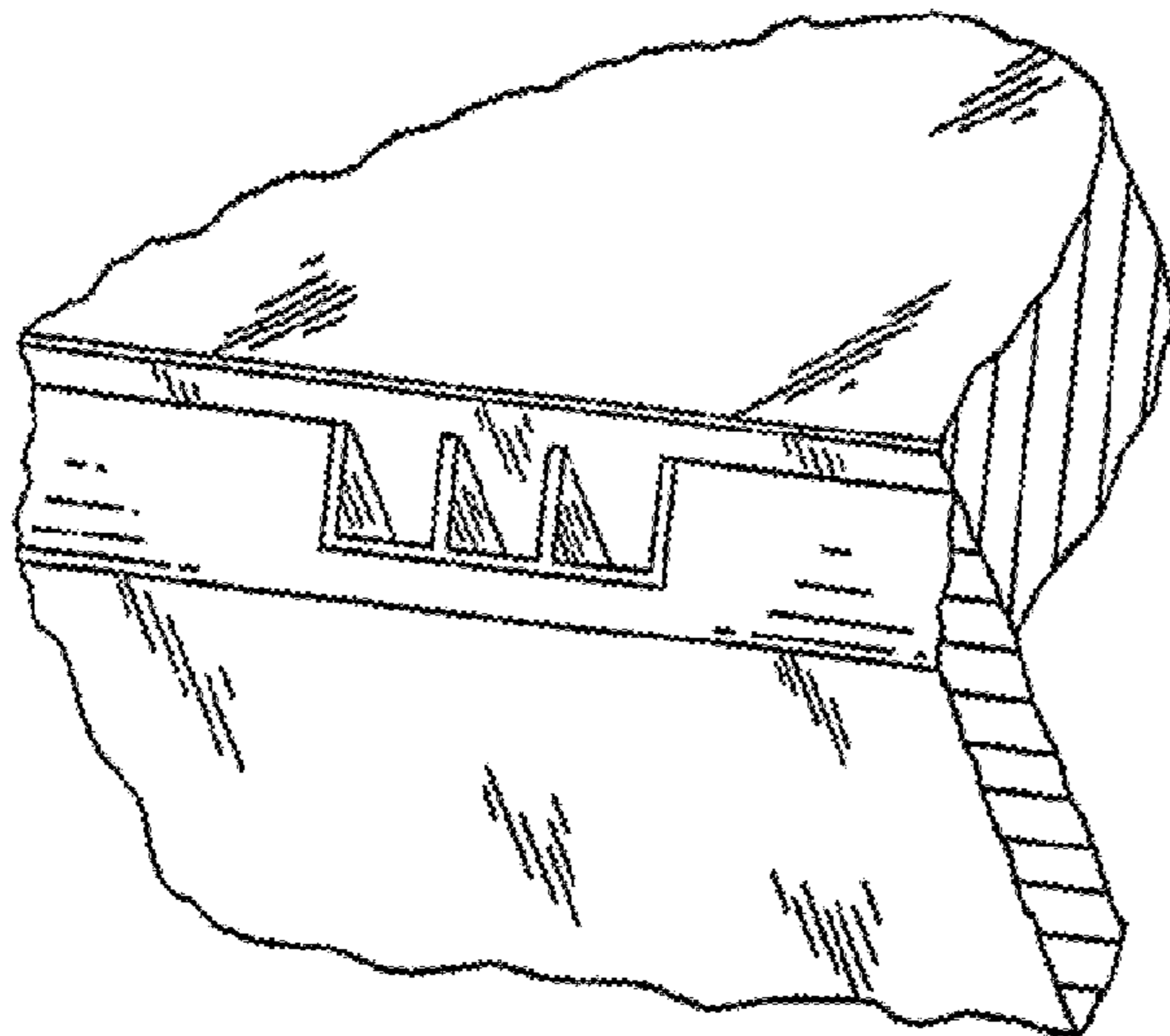
(57) **CLAIM**

The ornamental design of a furniture cable grommet edge, as shown and described.

DESCRIPTION

FIG. 1 is a perspective view of a furniture cable grommet edge, showing our new design; FIG. 2 is a front view thereof; and, FIG. 3 is a top view thereof.

1 Claim, 1 Drawing Sheet



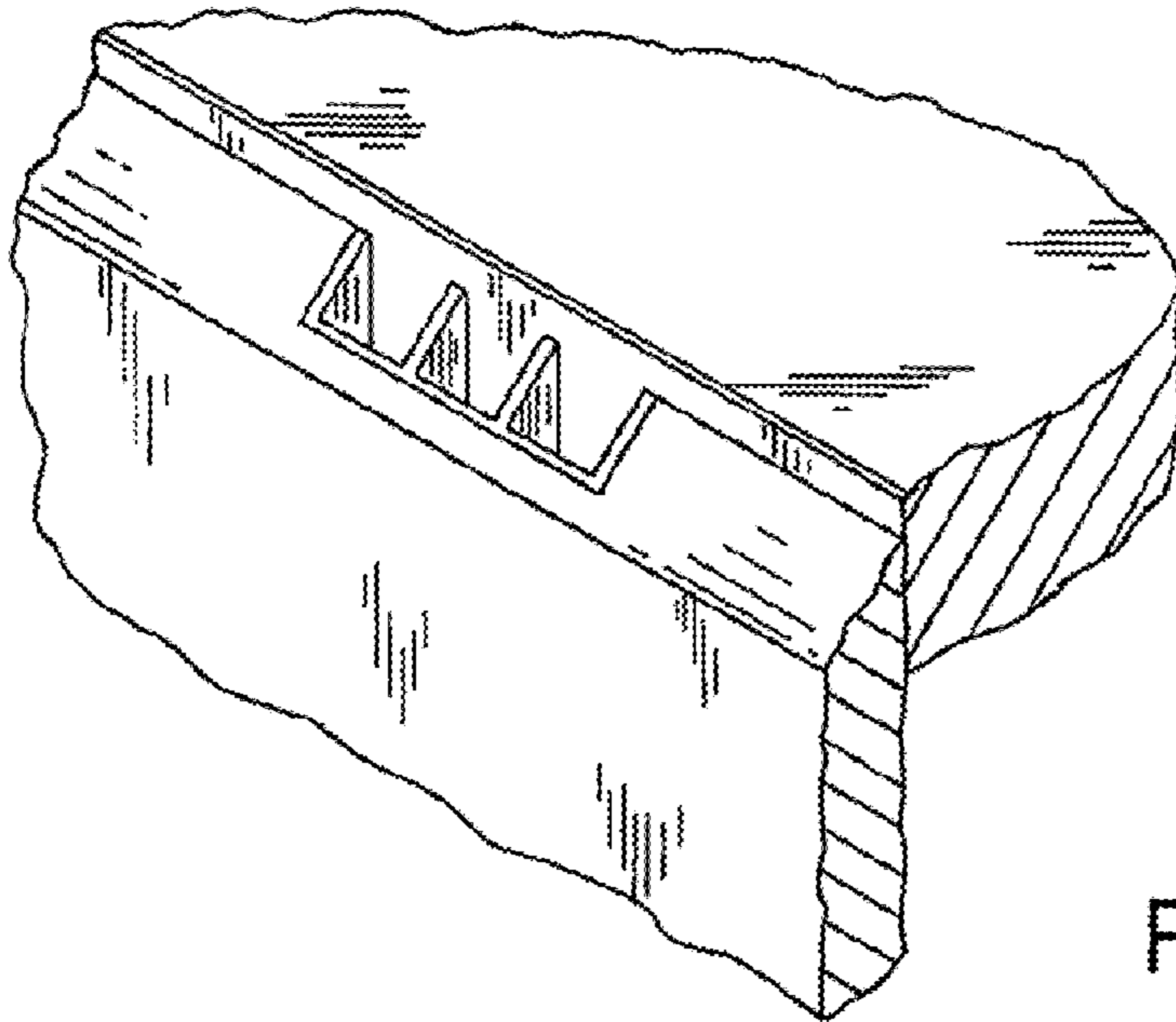


FIG. 1

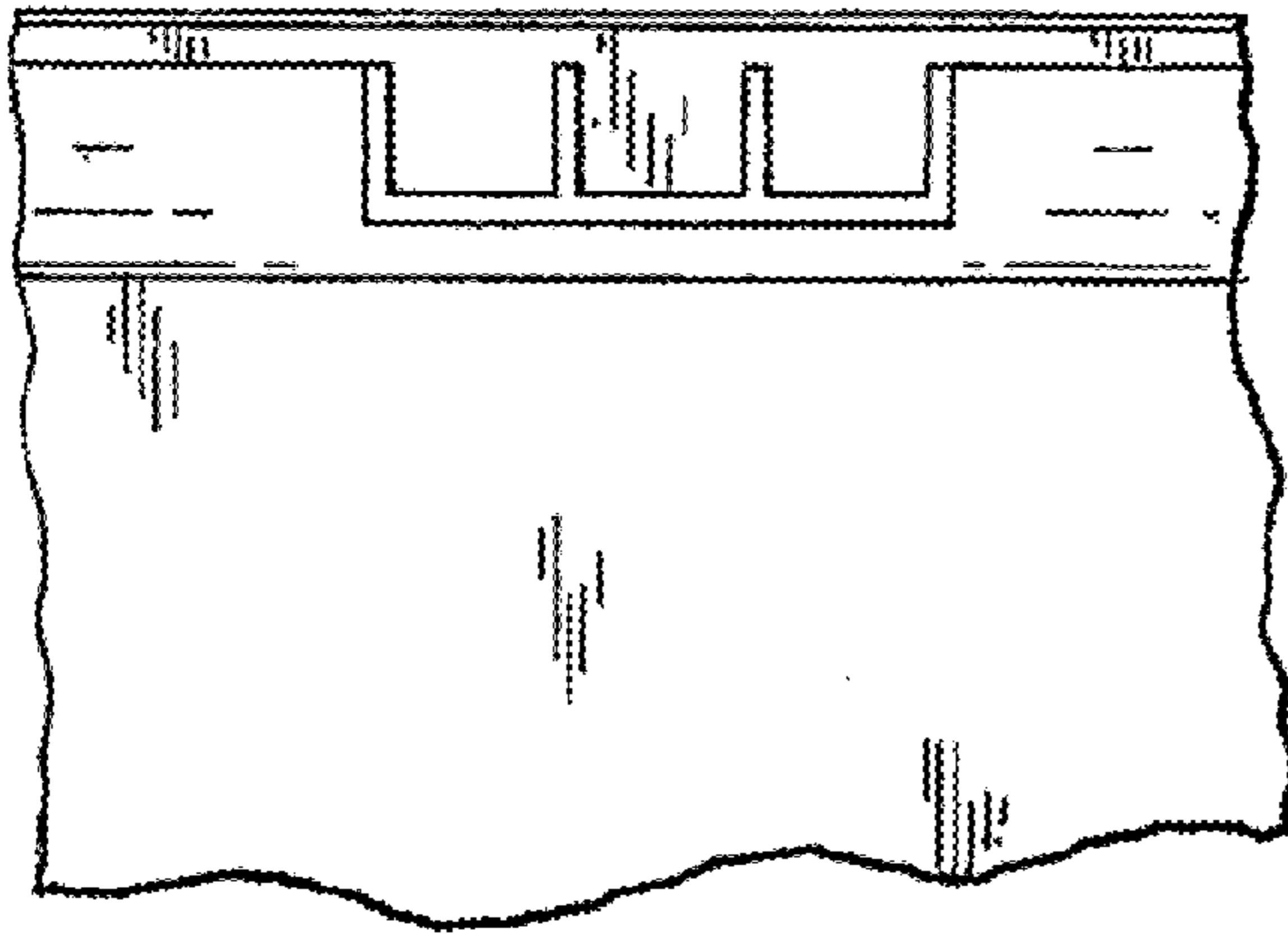


FIG. 2

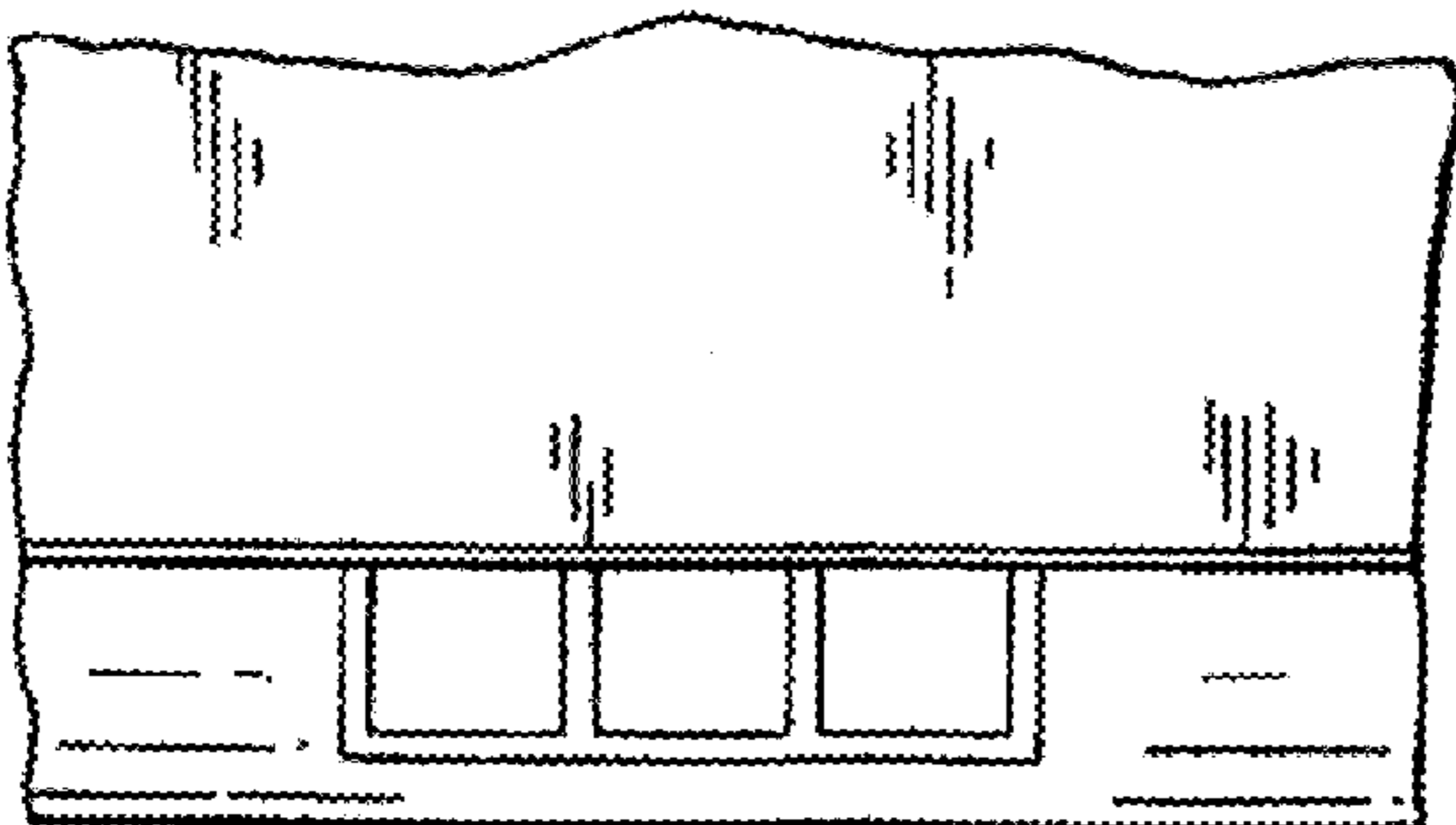


FIG. 3