



US00D530546S

(12) **United States Design Patent**
Muller

(10) **Patent No.:** **US D530,546 S**

(45) **Date of Patent:** **** Oct. 24, 2006**

(54) **TABLE**

(75) **Inventor:** **Carl A. Muller**, Huntington Beach, CA (US)

(73) **Assignee:** **Elite Manufacturing Corporation**, Santa Fe Springs, CA (US)

(**) **Term:** **14 Years**

(21) **Appl. No.:** **29/225,327**

(22) **Filed:** **Mar. 15, 2005**

(51) **LOC (8) Cl.** **06-03**

(52) **U.S. Cl.** **D6/482**

(58) **Field of Classification Search** D6/480-489,
D6/495, 450, 451, 474, 477, 479, 470; 108/91,
108/92, 153.1, 155, 156, 161, 155.7; 248/188,
248/188.1, 188.8

See application file for complete search history.

(56) **References Cited**

U.S. PATENT DOCUMENTS

D175,651 S * 9/1955 Schwartz D6/474

D290,203 S * 6/1987 Berry, Jr. D6/479
D355,799 S * 2/1995 D'Urbino et al. D6/482
D366,787 S * 2/1996 Konecny D6/474

* cited by examiner

Primary Examiner—Janice E. Seeger

(74) *Attorney, Agent, or Firm*—Heslin Rothenberg Farley & Mesiti P.C.

(57) **CLAIM**

The ornamental design for a table, as shown and described.

DESCRIPTION

FIG. 1 is a perspective view of a table in accordance with the new design;

FIG. 2 is a front elevational view thereof;

FIG. 3 is a right side elevational view thereof;

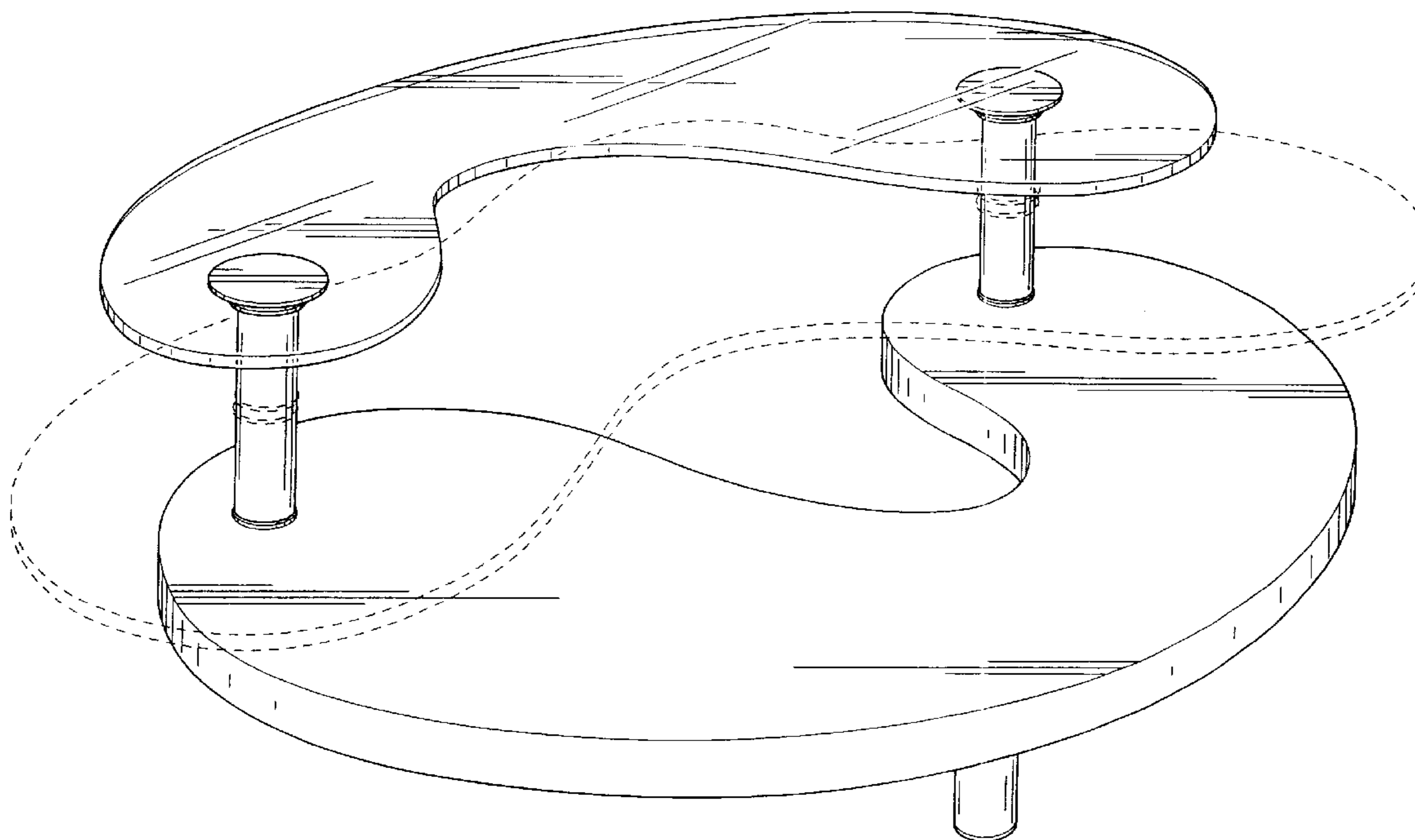
FIG. 4 is a left side elevational view thereof;

FIG. 5 is a top view thereof; and,

FIG. 6 is a rear elevational view thereof.

The broken lines in the figures are for illustrative purposes only and form no part of the claimed invention.

1 Claim, 4 Drawing Sheets



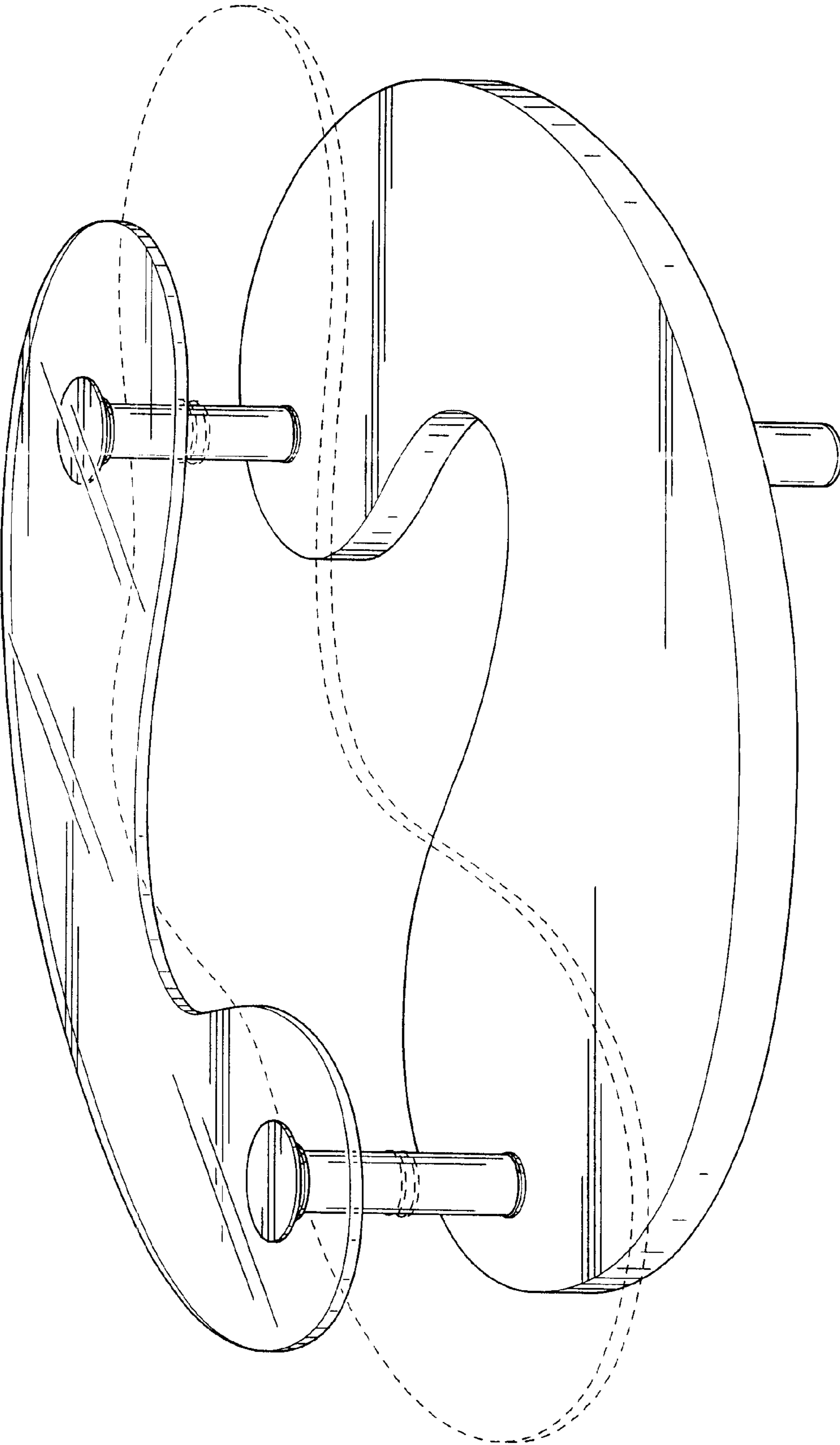


FIG. 1

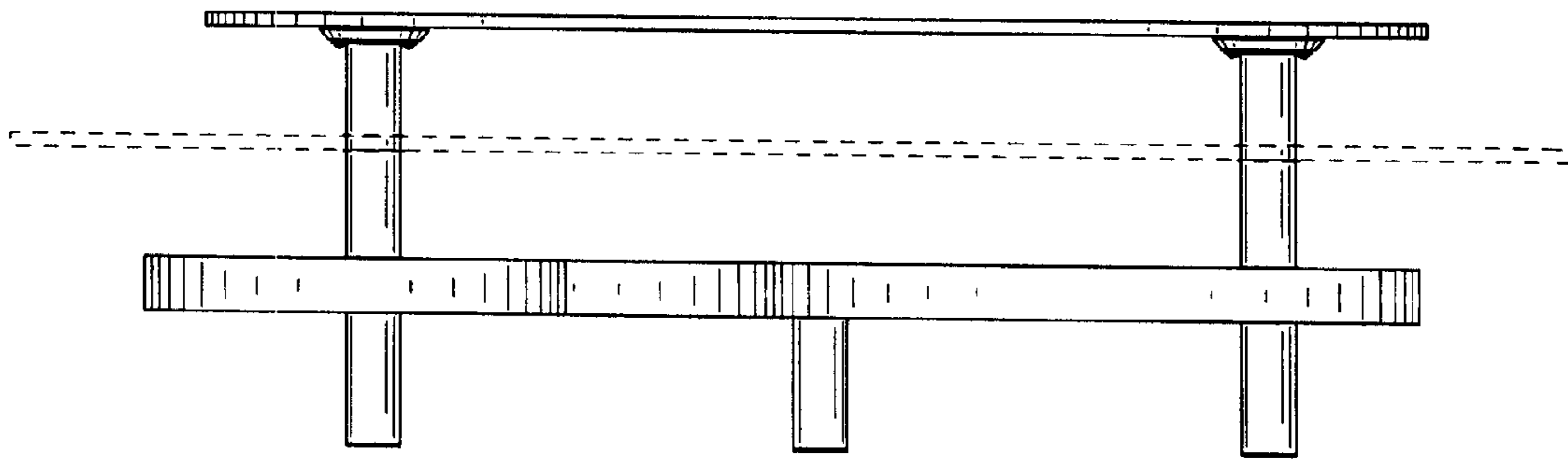


FIG. 2

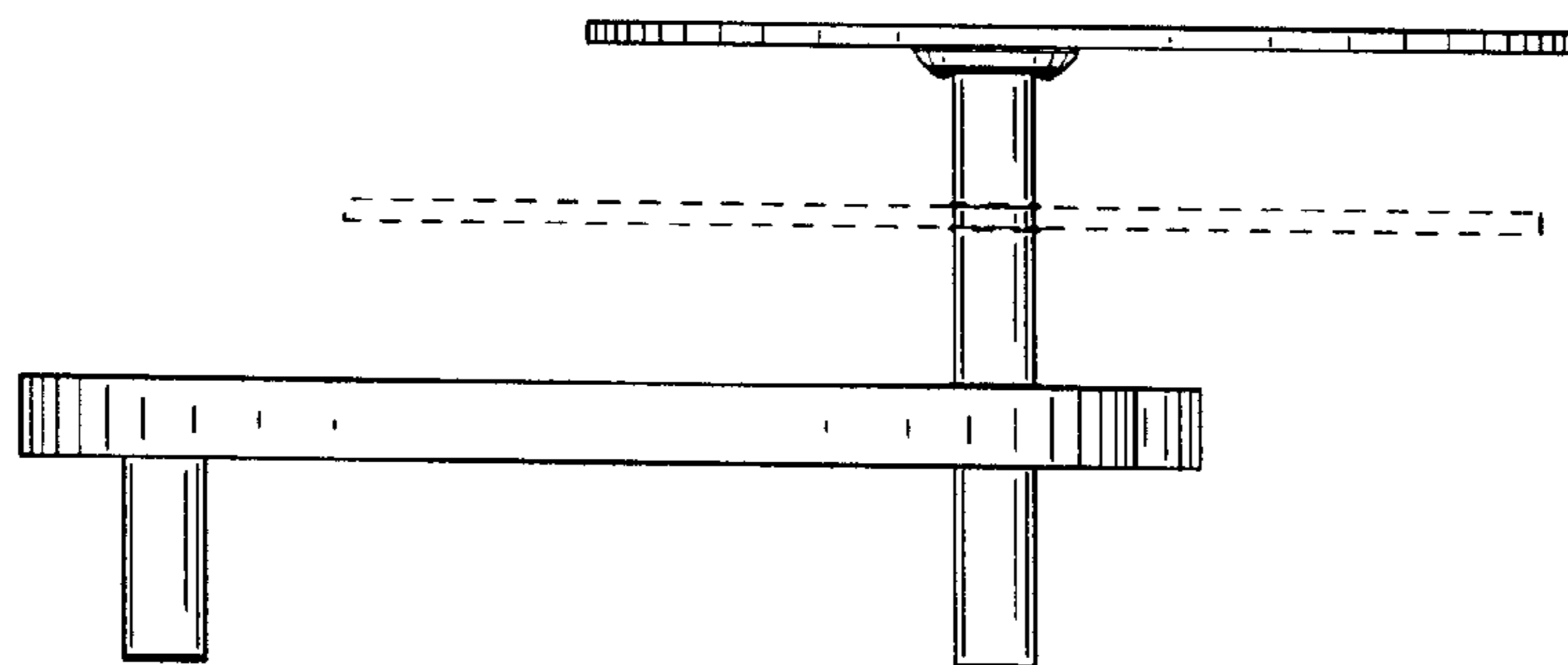


FIG. 3

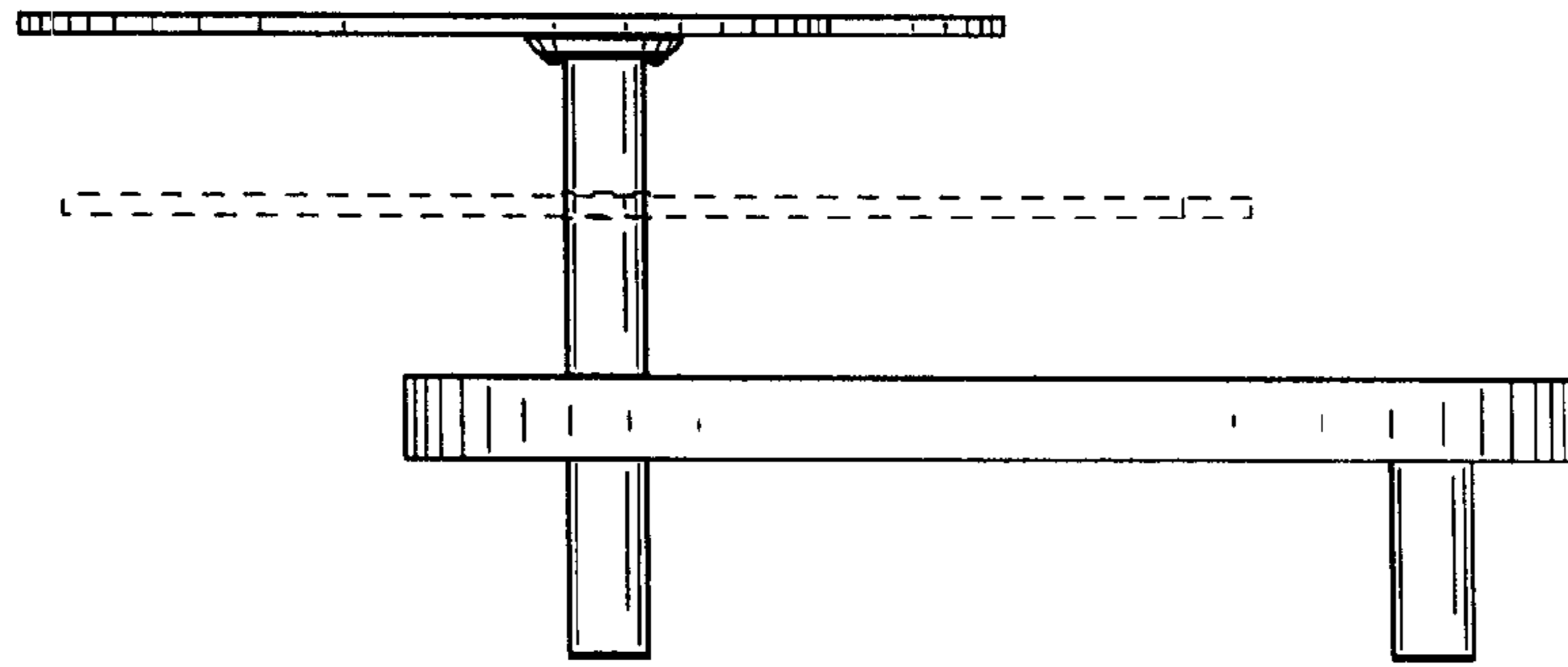


FIG. 4

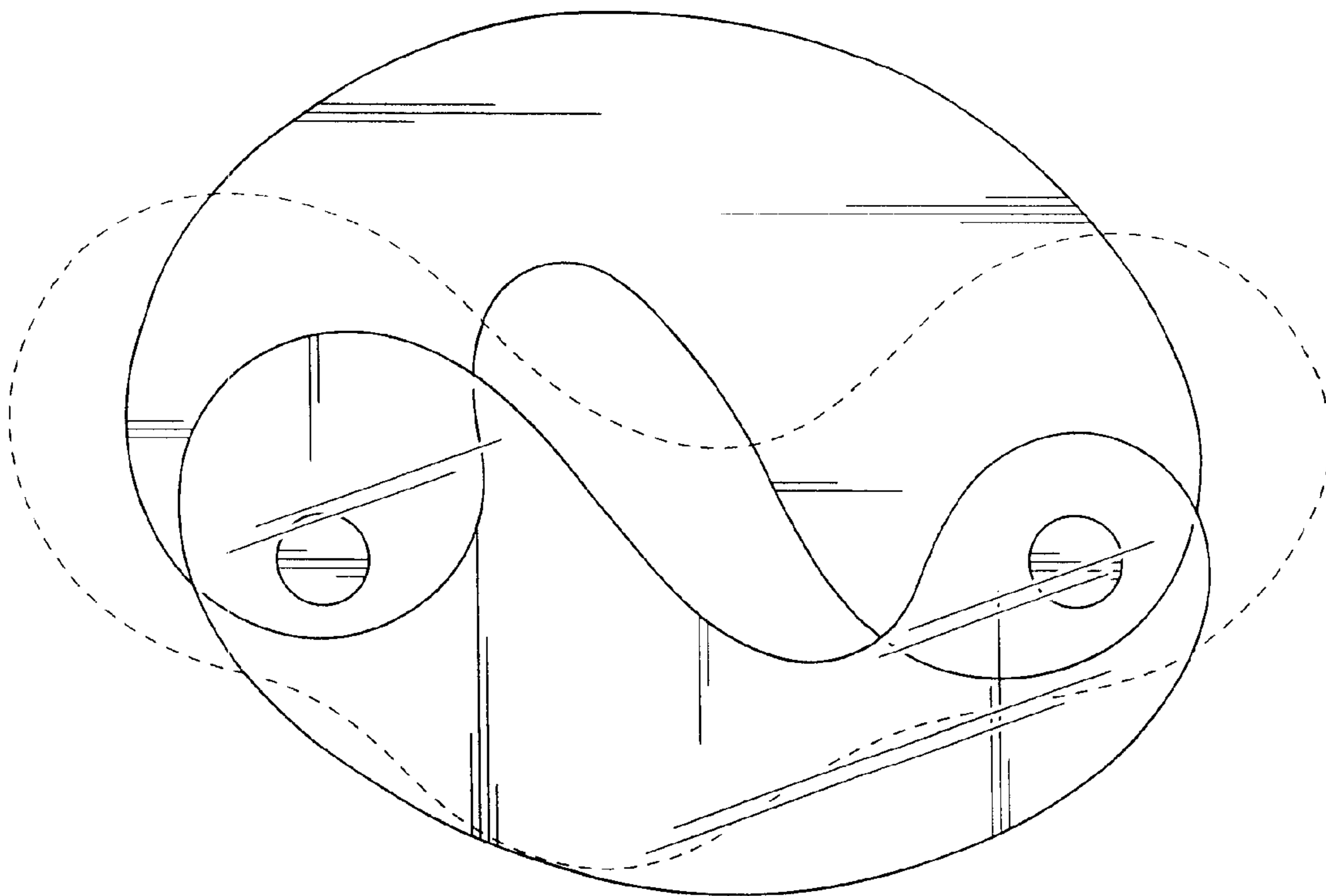


FIG. 5

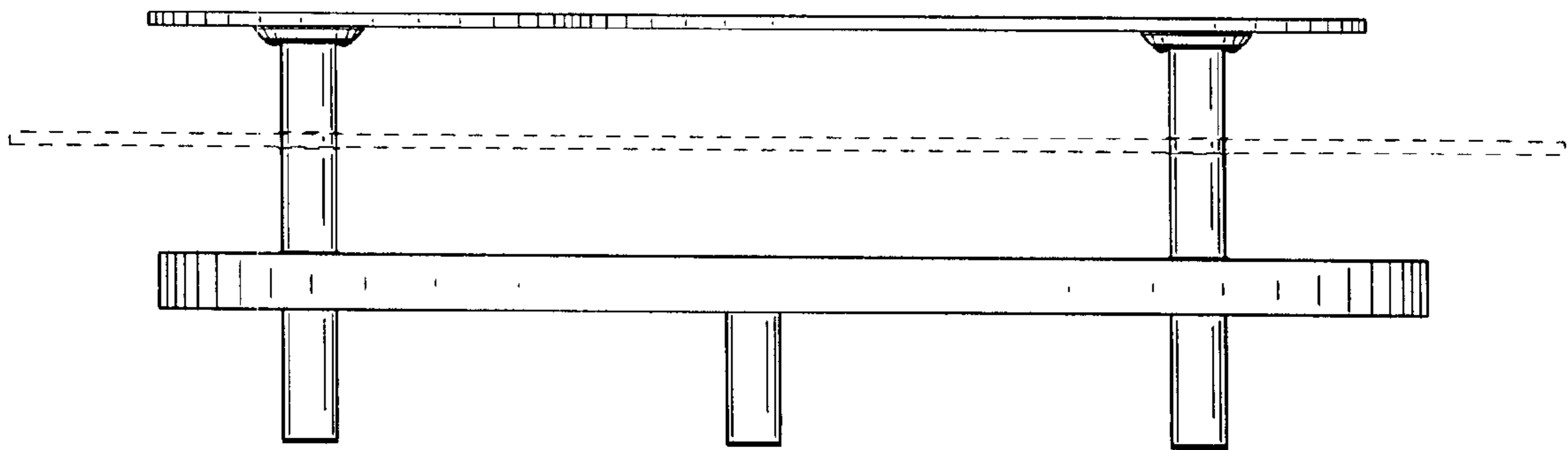


FIG. 6