



US00D530544S

(12) **United States Design Patent** (10) **Patent No.:** **US D530,544 S**
Domack et al. (45) **Date of Patent:** **** Oct. 24, 2006**

(54) **COCKTAIL TABLE**

(75) Inventors: **Randy D. Domack**, Trempealeau, WI (US); **Terry A. Everson**, Blair, WI (US)

(73) Assignee: **Ashley Furniture Industries, Inc.**, Arcadia, WI (US)

(**) Term: **14 Years**

(21) Appl. No.: **29/225,717**

(22) Filed: **Mar. 18, 2005**

(51) **LOC (8) Cl.** **06-03**

(52) **U.S. Cl.** **D6/480**

(58) **Field of Classification Search** D6/480-489, D6/495, 511, 429, 430, 436, 432; 108/153.1, 108/155, 156, 157.1, 161; 248/188, 188.1, 248/188.8

See application file for complete search history.

Ashley Furniture, "Ashley Softgoods T318-1-2-4 Gilmore" p. 188.

Picture, Fall 2003.

Broyhill Furniture, "Villa Marche: Cabriole Rectangular Cocktail Table", www.broyhillfurn.com/Index.asp?Action=ProductCatalogItemDetails&CollectionID.

Ashley Catalog Photograph, Pheasant Run, T852-1-2-4, (2003), p. 382.

Picture, Renilmorth, Hyundai, Date Unknown.

* cited by examiner

Primary Examiner—Janice E. Seeger

(74) *Attorney, Agent, or Firm*—Patterson, Thuente, Skaar & Christensen, P.A.

(57) **CLAIM**

We claim the ornamental design for a cocktail table, as shown and described.

(56) **References Cited**

U.S. PATENT DOCUMENTS

D154,413 S	7/1949	Meucci	
D341,732 S	11/1993	Ferguson	
D343,969 S	2/1994	Ball	
D344,421 S	* 2/1994	Keller D6/484
D386,021 S	11/1997	Pratt	
D414,057 S	9/1999	Walters, III et al.	
D431,738 S	10/2000	Wistehuff, Sr.	
D438,032 S	* 2/2001	Cain D6/484
D462,546 S	9/2002	Vaaler	
D466,336 S	12/2002	Stanton	
D472,076 S	3/2003	Stanton	
D486,326 S	2/2004	Wanek et al.	

OTHER PUBLICATIONS

Thomasville,Collector;s Cherry, p. 5, cocktail table at bot-
ton.*

Drexel, Accents Francais, May 2003, #309-107 cocktail
table.*

DESCRIPTION

FIG. 1 is a perspective view of a cocktail table according to an embodiment of the invention.

FIG. 2 is a front elevational view of a cocktail table according to an embodiment of the invention.

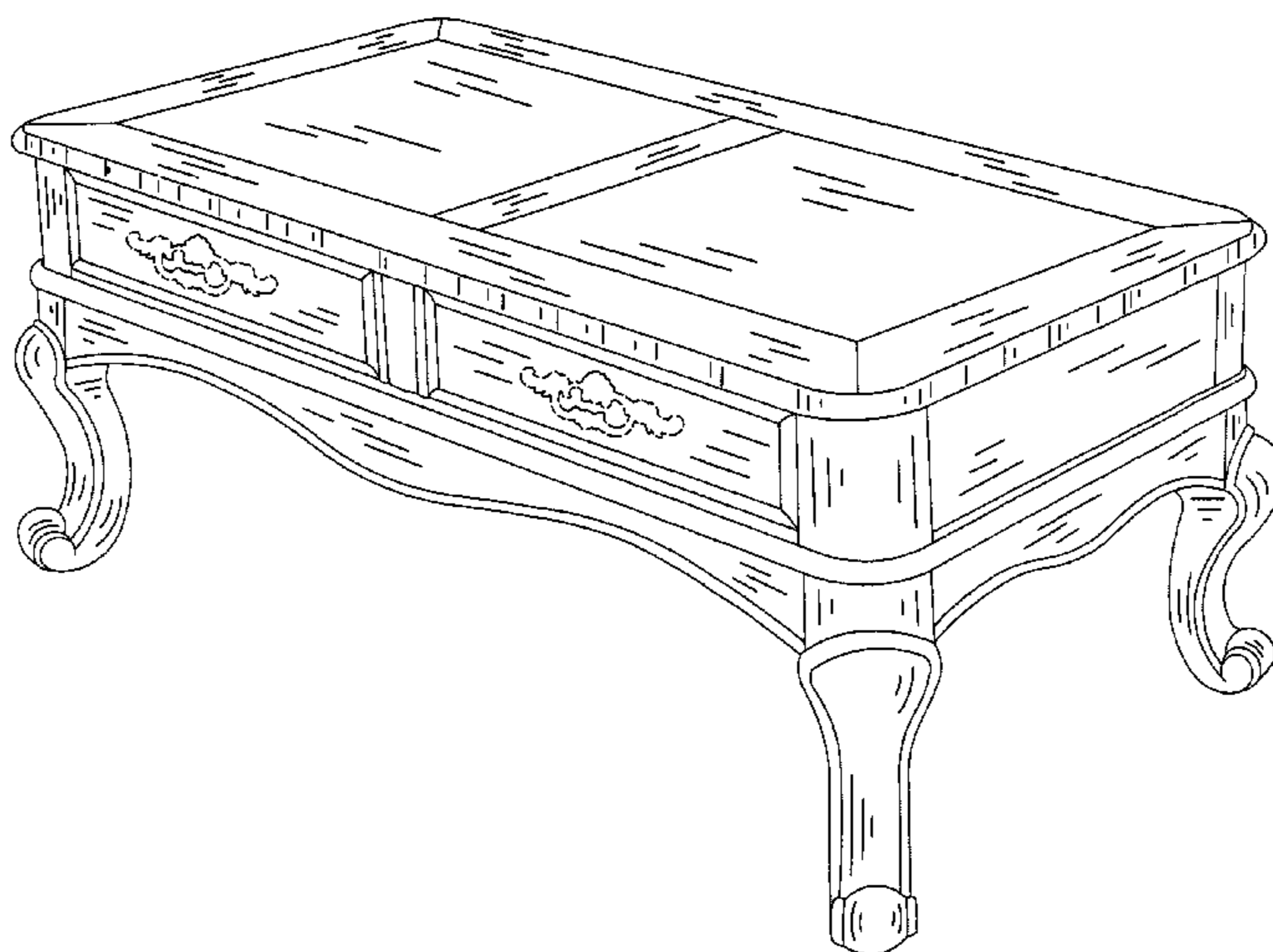
FIG. 3 is a side elevational view of a cocktail table according to an embodiment of the invention. The elevational view of the opposite side being a mirror image thereof.

FIG. 4 is a top plan view of a cocktail table according to an embodiment of the invention; and,

FIG. 5 is a back elevational view of a cocktail table according to an embodiment of the invention.

The dashed lines represent environmental elements only and form no part of the claimed design.

1 Claim, 5 Drawing Sheets



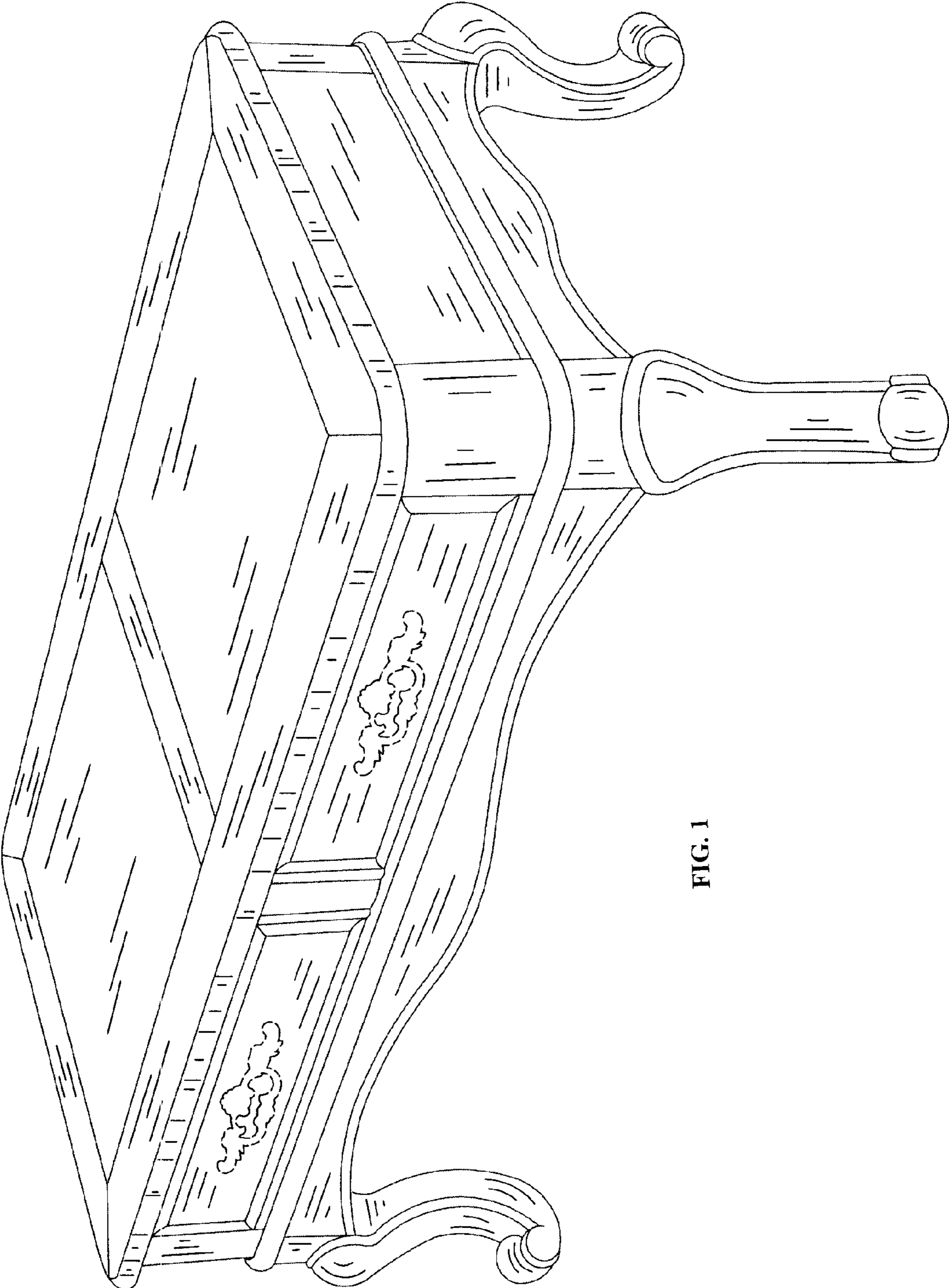


FIG. 1

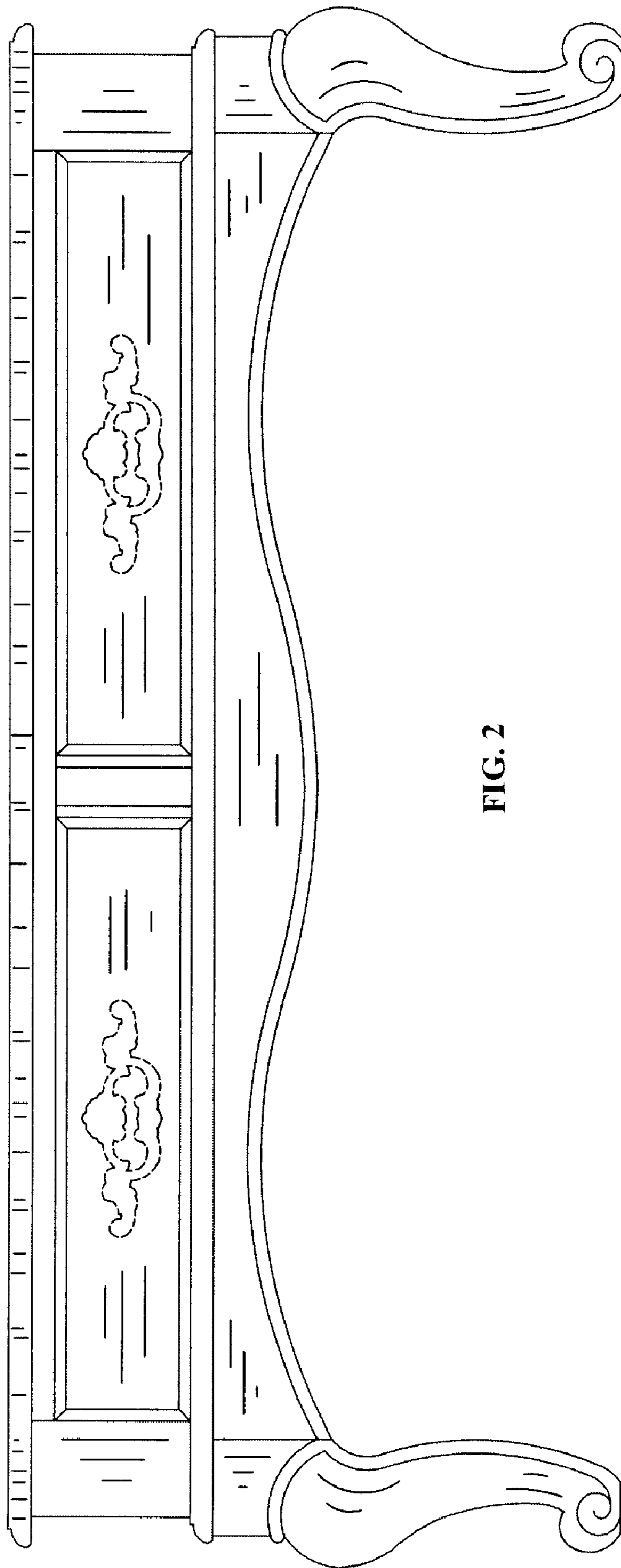


FIG. 2

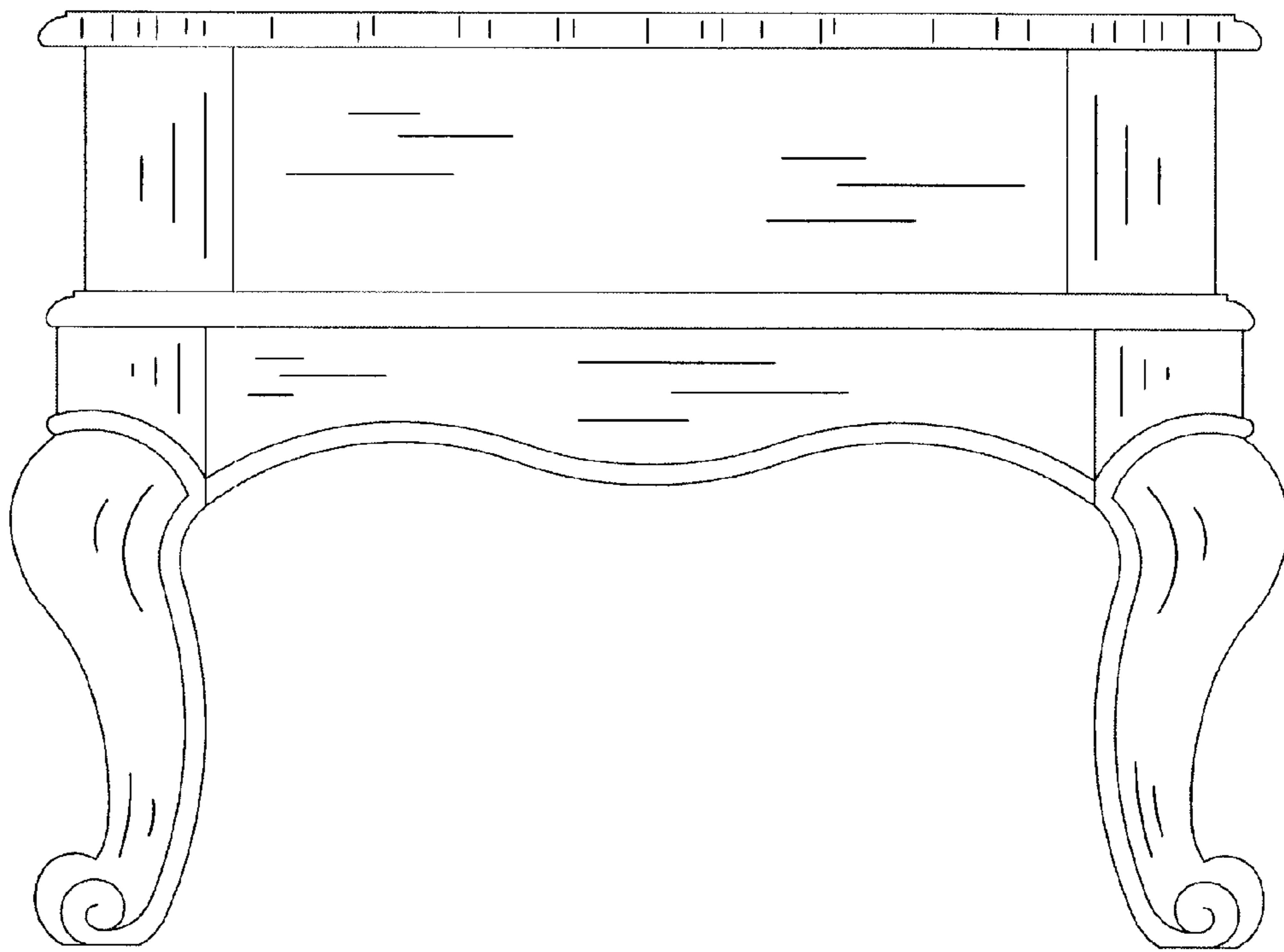


FIG. 3

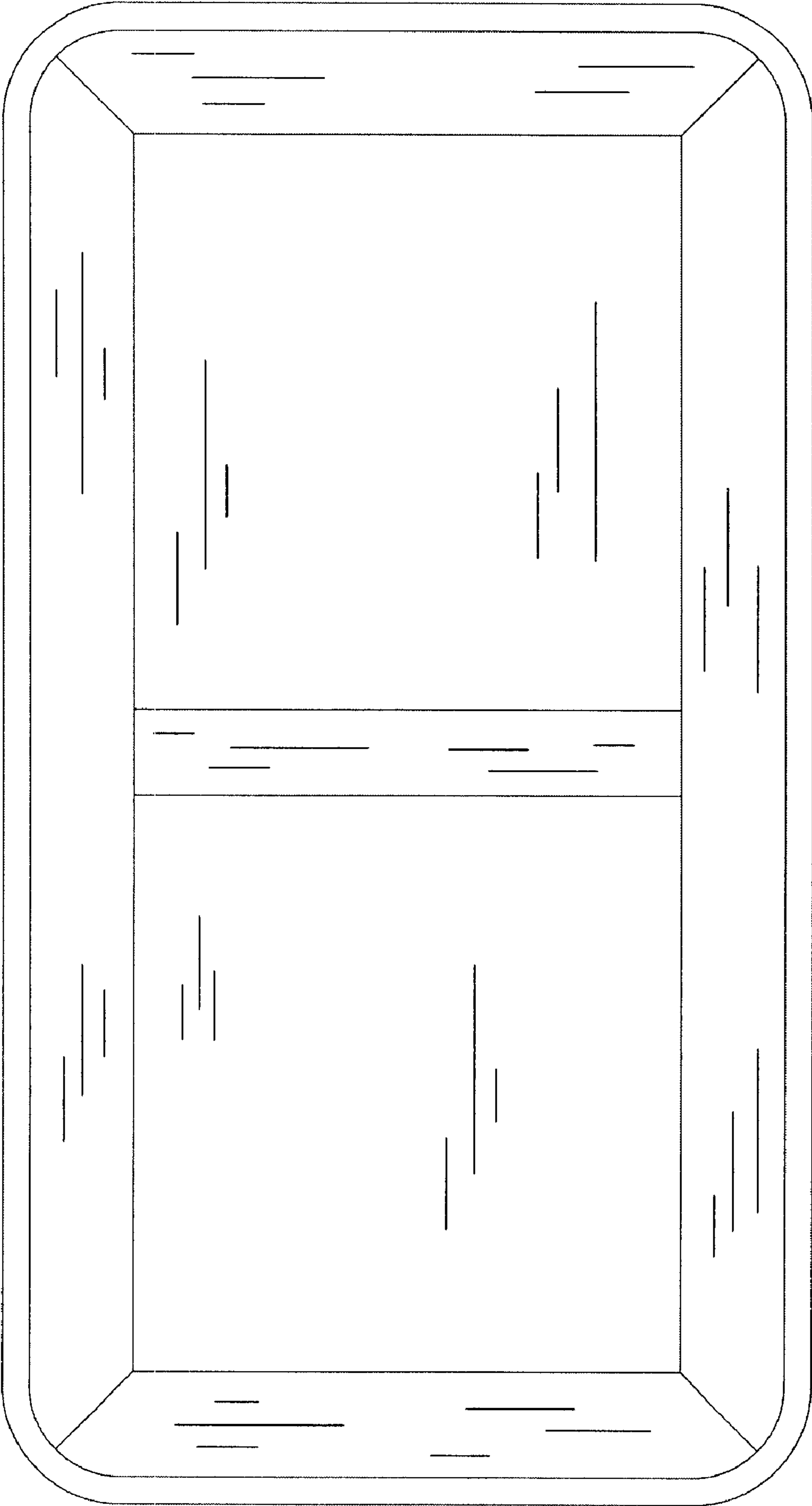


FIG. 4

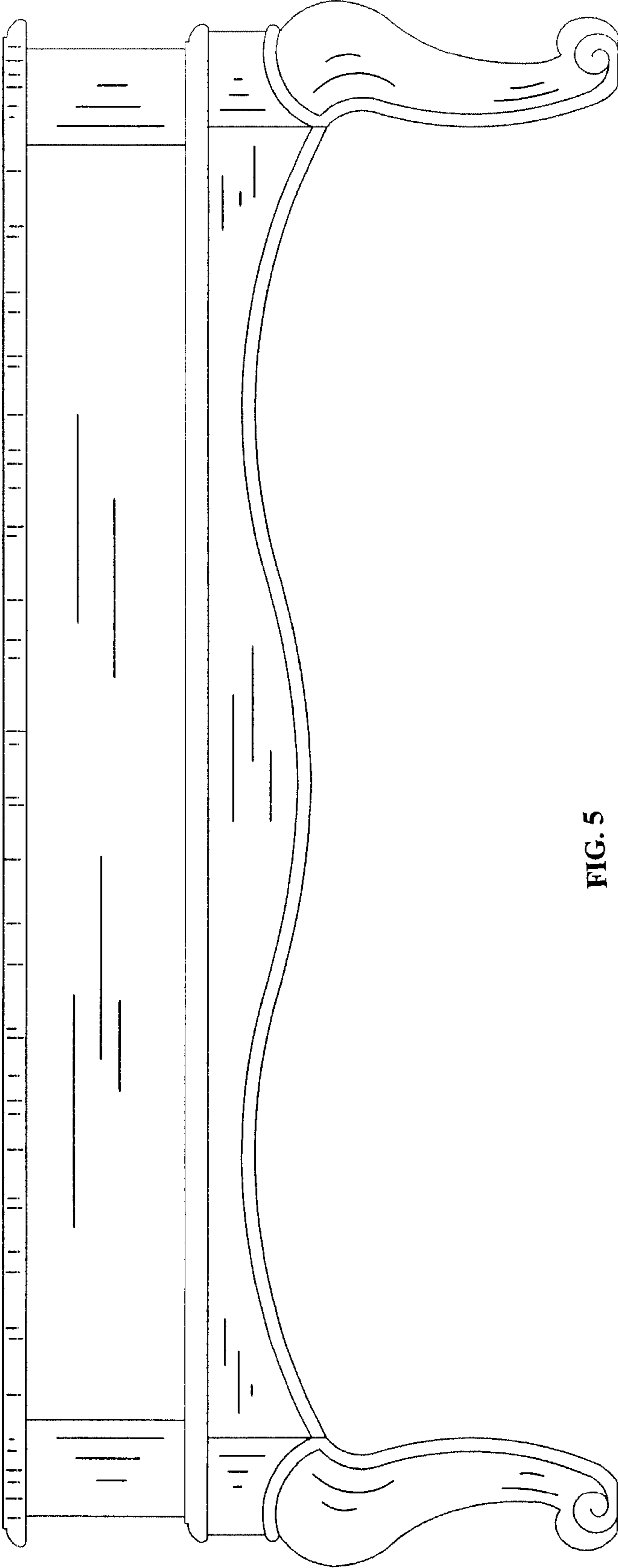


FIG. 5