



US00D530543S

(12) **United States Design Patent**
High

(10) **Patent No.:** **US D530,543 S**

(45) **Date of Patent:** **** Oct. 24, 2006**

(54) **TABLE**

(75) **Inventor:** **Bruce High**, Clitheroe (GB)

(73) **Assignee:** **Senator International Limited**,
Lancashire (GB)

(**) **Term:** **14 Years**

(21) **Appl. No.:** **29/217,451**

(22) **Filed:** **Nov. 16, 2004**

(30) **Foreign Application Priority Data**

May 17, 2004 (EM) 000180294-0009

(51) **LOC (8) Cl.** **06-03**

(52) **U.S. Cl.** **D6/480**

(58) **Field of Classification Search** D6/480-489,
D6/495-499, 429, 430, 511, 491, 477; 108/150,
108/153.1, 155, 156, 161, 124, 117, 50.01,
108/50.02; 248/188, 188.1, 188.7, 188.8

See application file for complete search history.

(56) **References Cited**

U.S. PATENT DOCUMENTS

D220,938 S * 6/1971 Harlang D8/375

5,205,223 A * 4/1993 Ball et al. 108/124
D445,606 S * 7/2001 Mourgue D6/480
D489,551 S * 5/2004 Cesaroni et al. D6/480
D492,505 S * 7/2004 Newhouse D6/429

* cited by examiner

Primary Examiner—Janice E. Seeger

(74) *Attorney, Agent, or Firm*—Salter & Michaelson

(57) **CLAIM**

The ornamental design for a table, as shown and described.

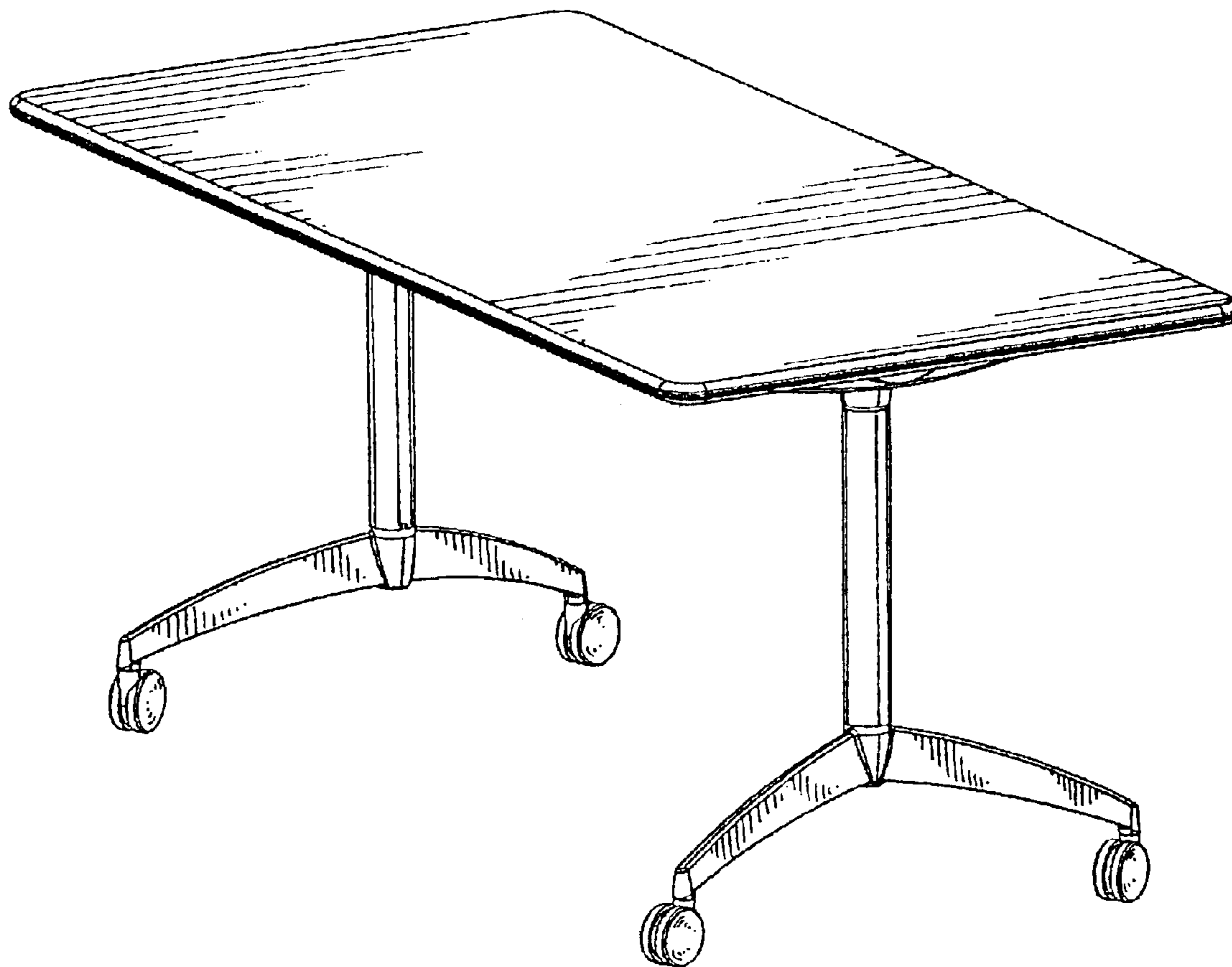
DESCRIPTION

FIG. 1 is a front perspective view showing a chair showing my new design;

FIG. 2 is a rear perspective view thereof with the table top tilted forwardly; and,

FIG. 3 is a rear perspective view thereof with the table top in its vertical position.

1 Claim, 3 Drawing Sheets



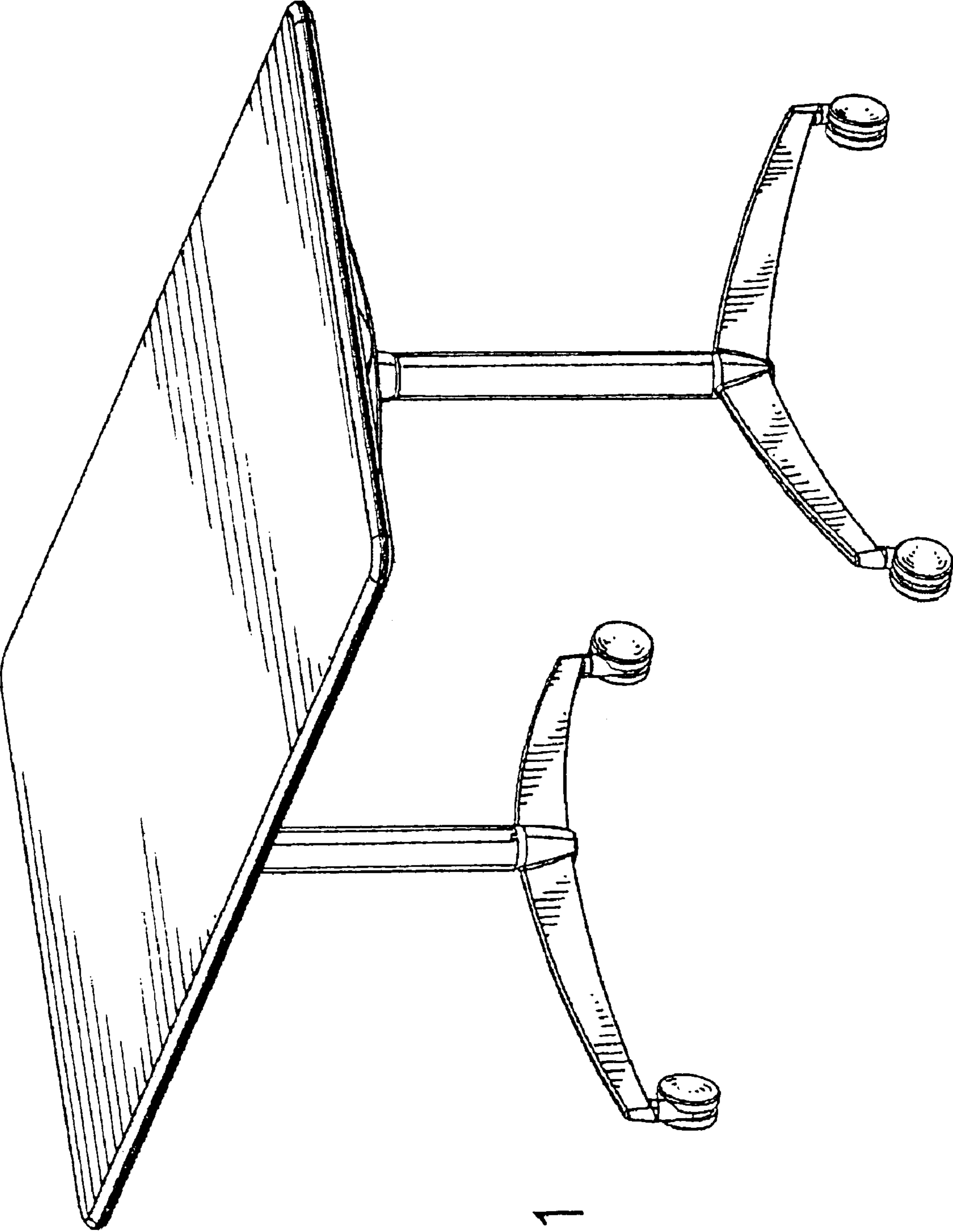


FIG. 1

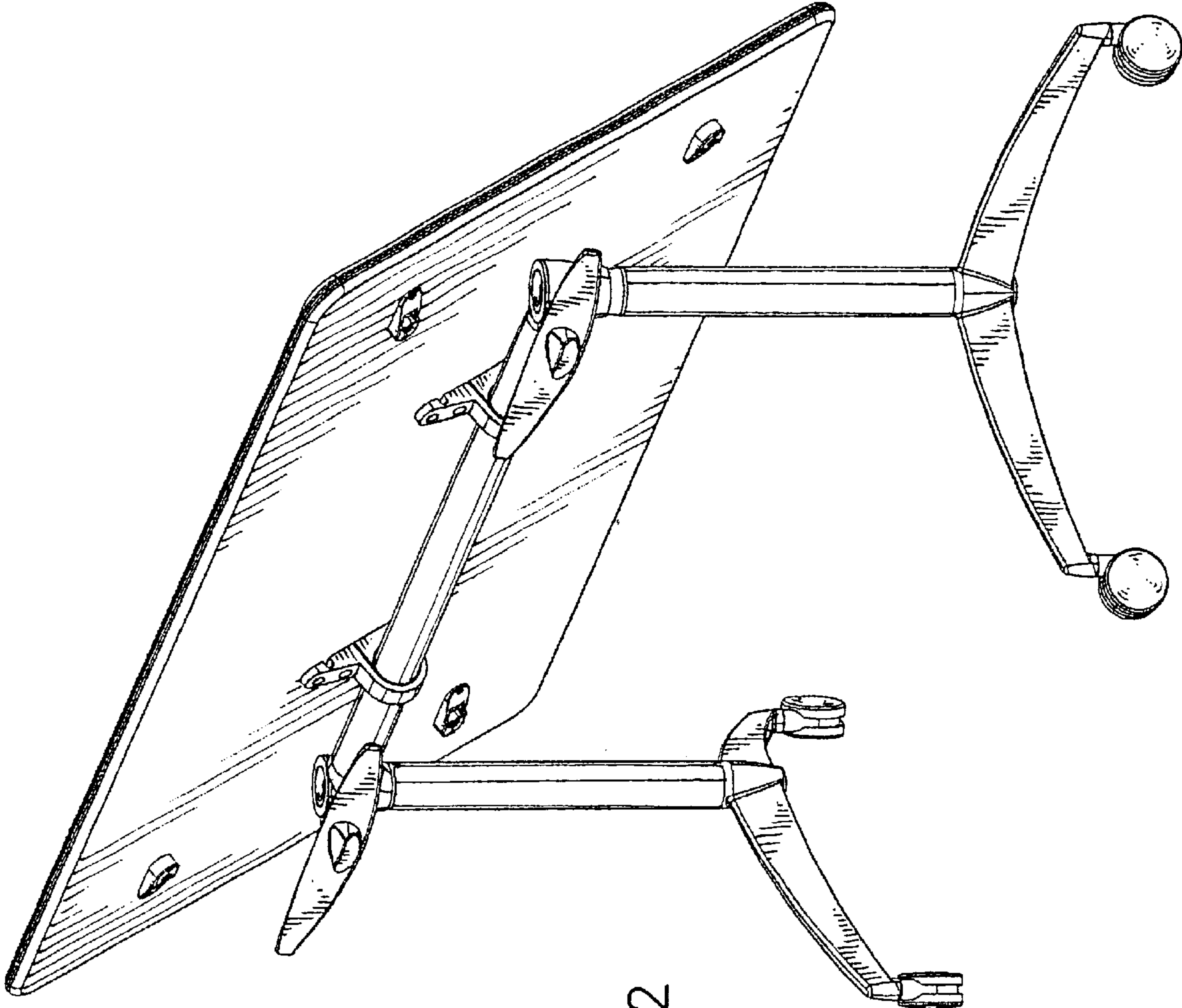


FIG. 2

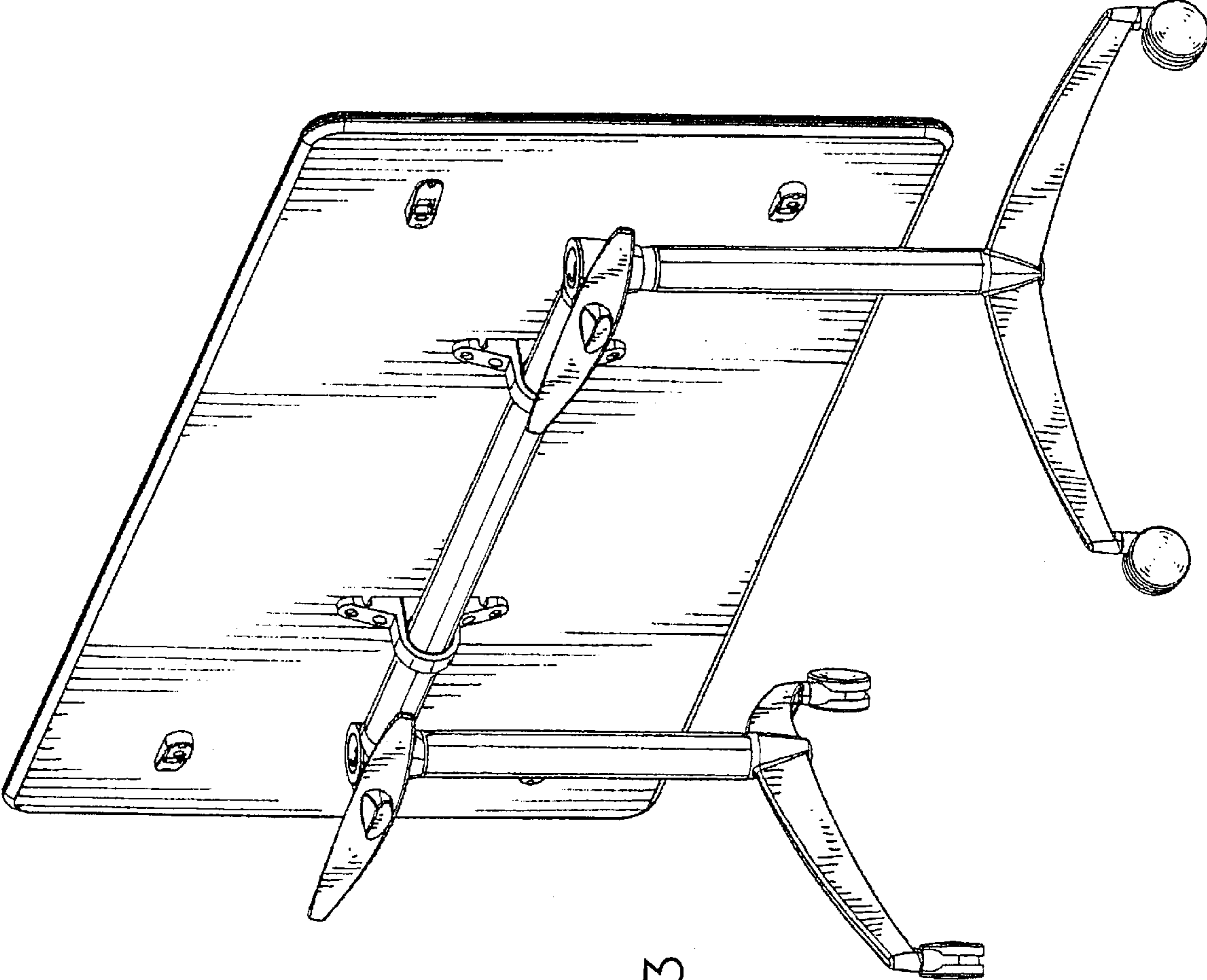


FIG. 3