



US00D530542S

(12) **United States Design Patent**
Rehmert et al.

(10) **Patent No.:** **US D530,542 S**
(45) **Date of Patent:** **** Oct. 24, 2006**

(54) **TILE TOP TABLE**

D448,211 S * 9/2001 Schulte et al. D6/480
D475,869 S * 6/2003 Jackson D6/480
D499,584 S * 12/2004 Domack et al. D6/480

(75) Inventors: **Rory S. Rehmert**, Birmingham, AL
(US); **Timothy M. Le Roy**,
Birmingham, AL (US); **Jerry C. Camp,**
Jr., Birmingham, AL (US); **Jackie**
Hogan, Warrior, AL (US)

* cited by examiner

Primary Examiner—Janice E. Seeger

(73) Assignee: **Meadowcraft, Inc.**, Birmingham, AL
(US)

(57) **CLAIM**

The ornamental design for a tile top table, as shown and described.

(**) Term: **14 Years**

(21) Appl. No.: **29/210,997**

DESCRIPTION

(22) Filed: **Aug. 9, 2004**

(51) **LOC (8) Cl.** **06-03**

(52) **U.S. Cl.** **D6/480**

(58) **Field of Classification Search** D6/480–489,
D6/495–499, 511, 429–431; 108/150, 153.1,
108/155, 156, 157.1, 161; 248/188, 188.1,
248/188.8

FIG. 1 is an isometric view of an assembled tile top table thereof;

FIG. 2 is a partially exploded isometric view;

FIG. 3 is a front view whereas rear view if a mirror image thereof;

FIG. 4 is a left side view whereas rear view thereof;

FIG. 5 is a top view thereof; and,

FIG. 6 is a bottom thereof.

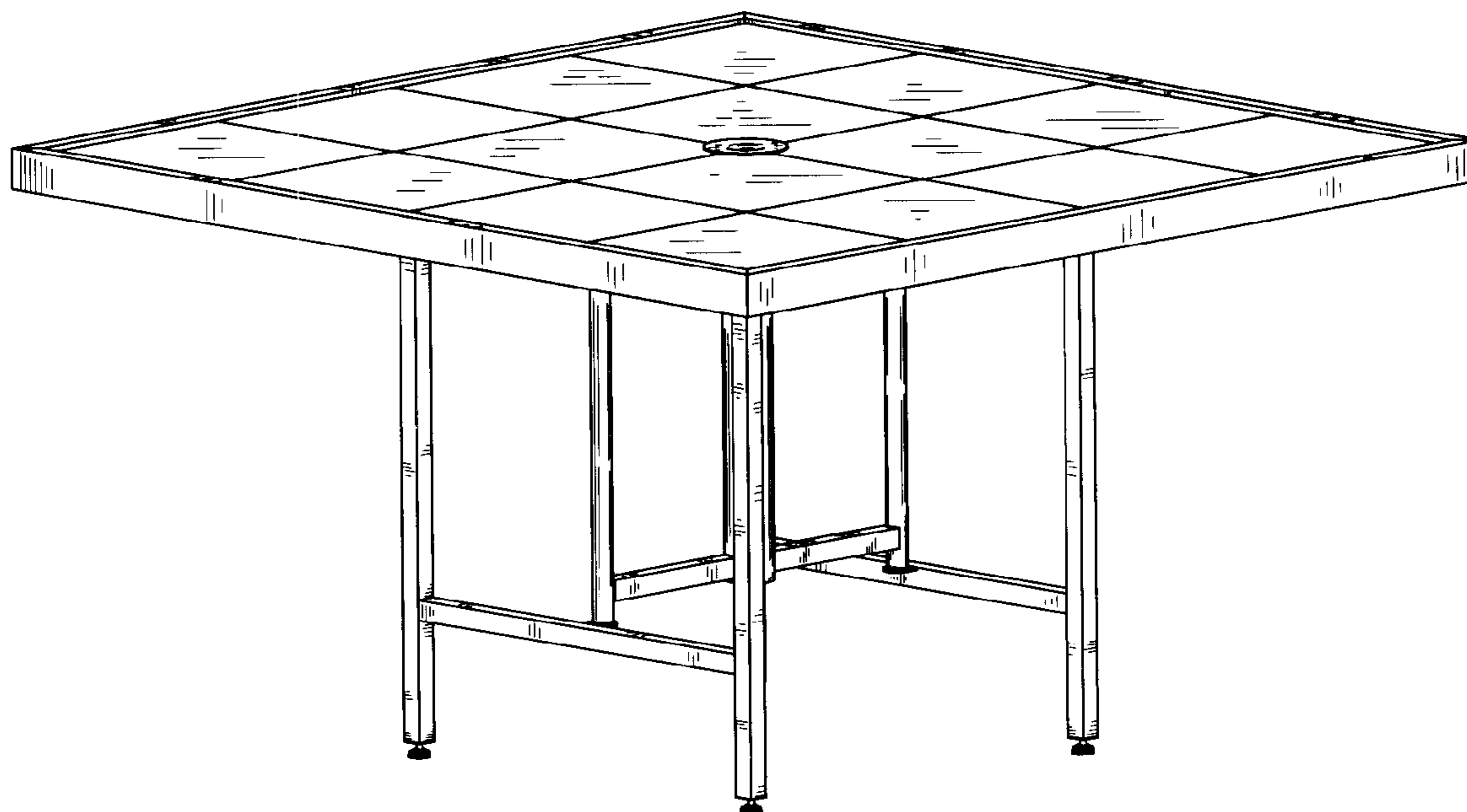
See application file for complete search history.

(56) **References Cited**

U.S. PATENT DOCUMENTS

D293,862 S * 1/1988 Hubert D6/430

1 Claim, 6 Drawing Sheets



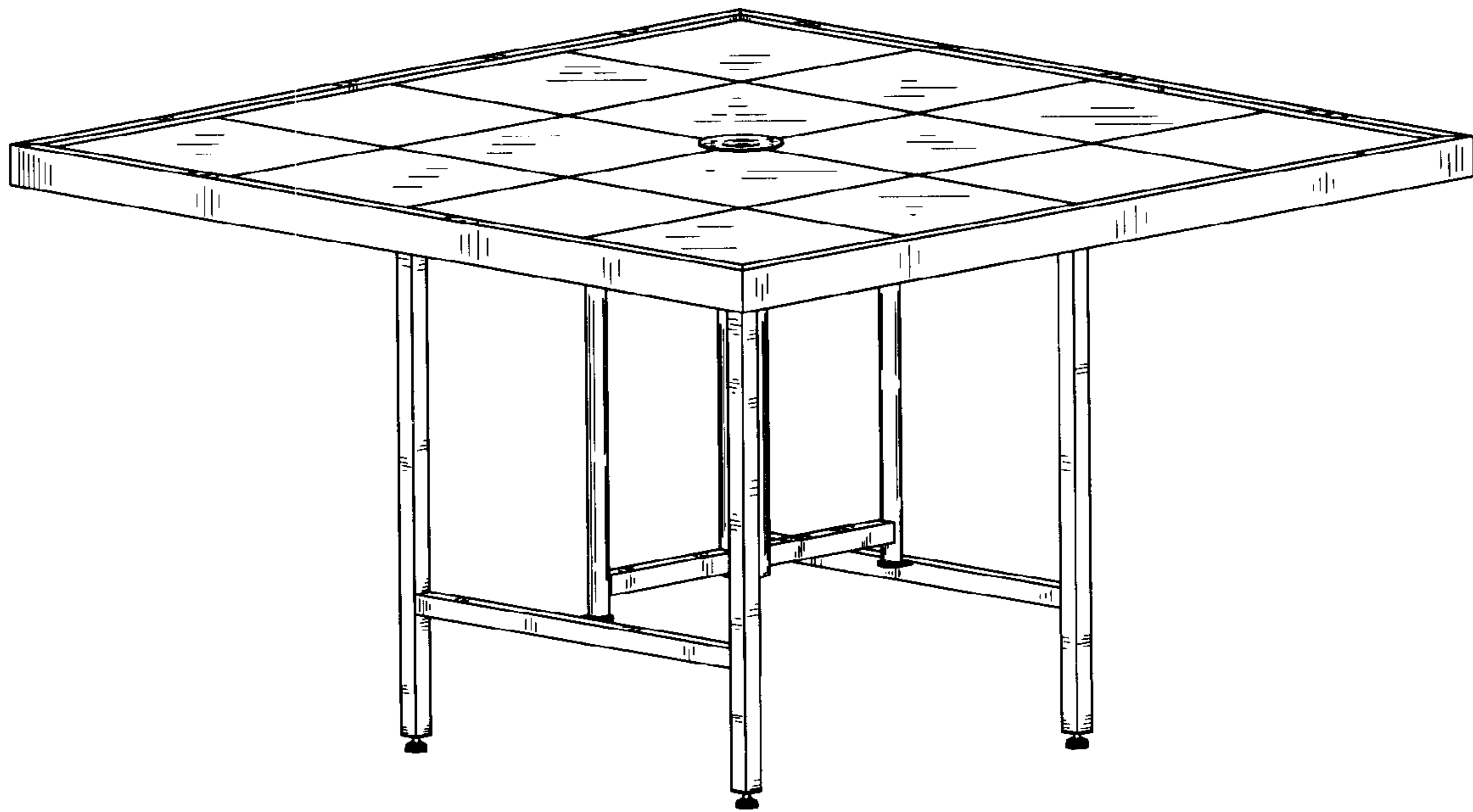


Fig. 1

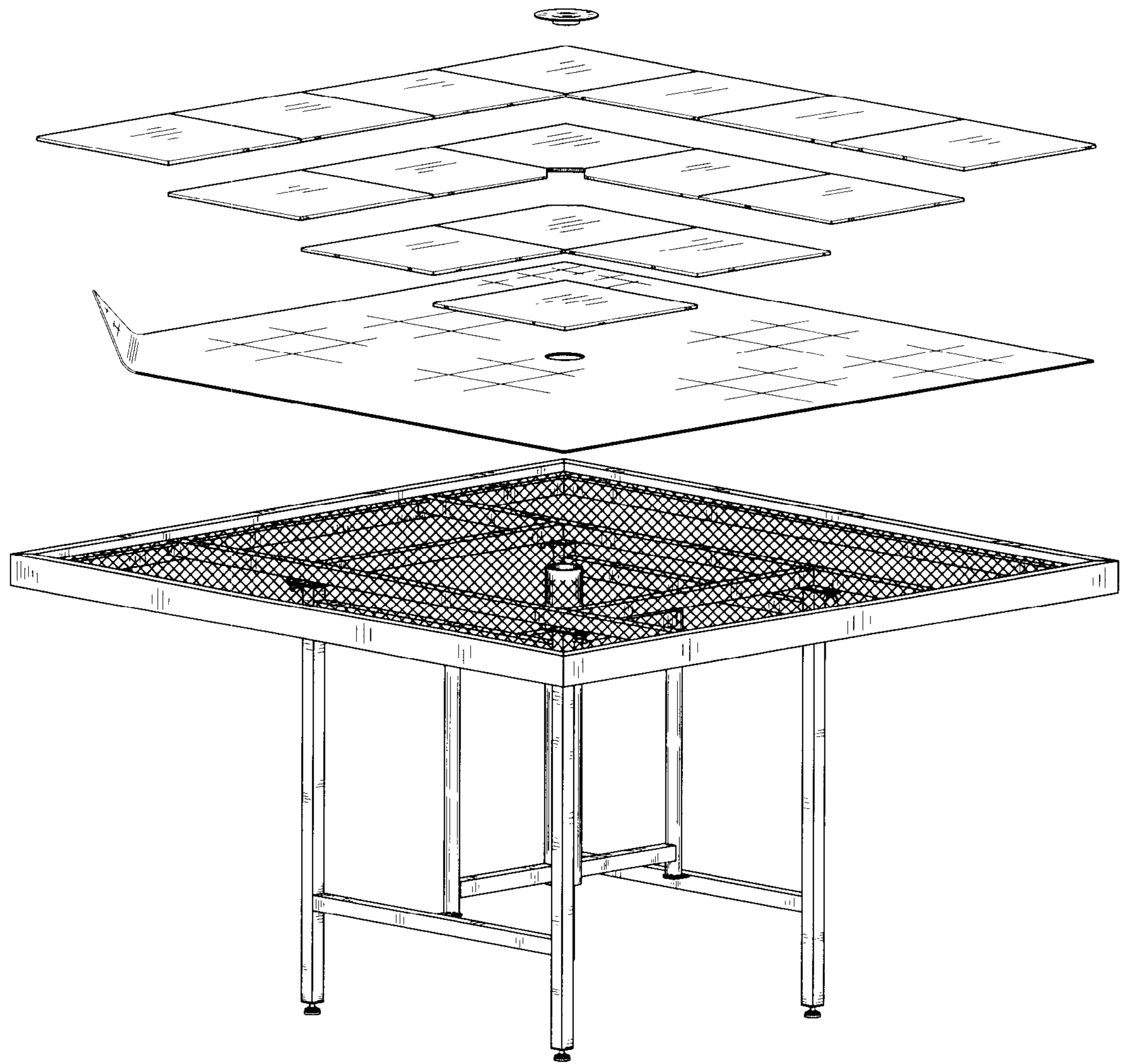


Fig. 2

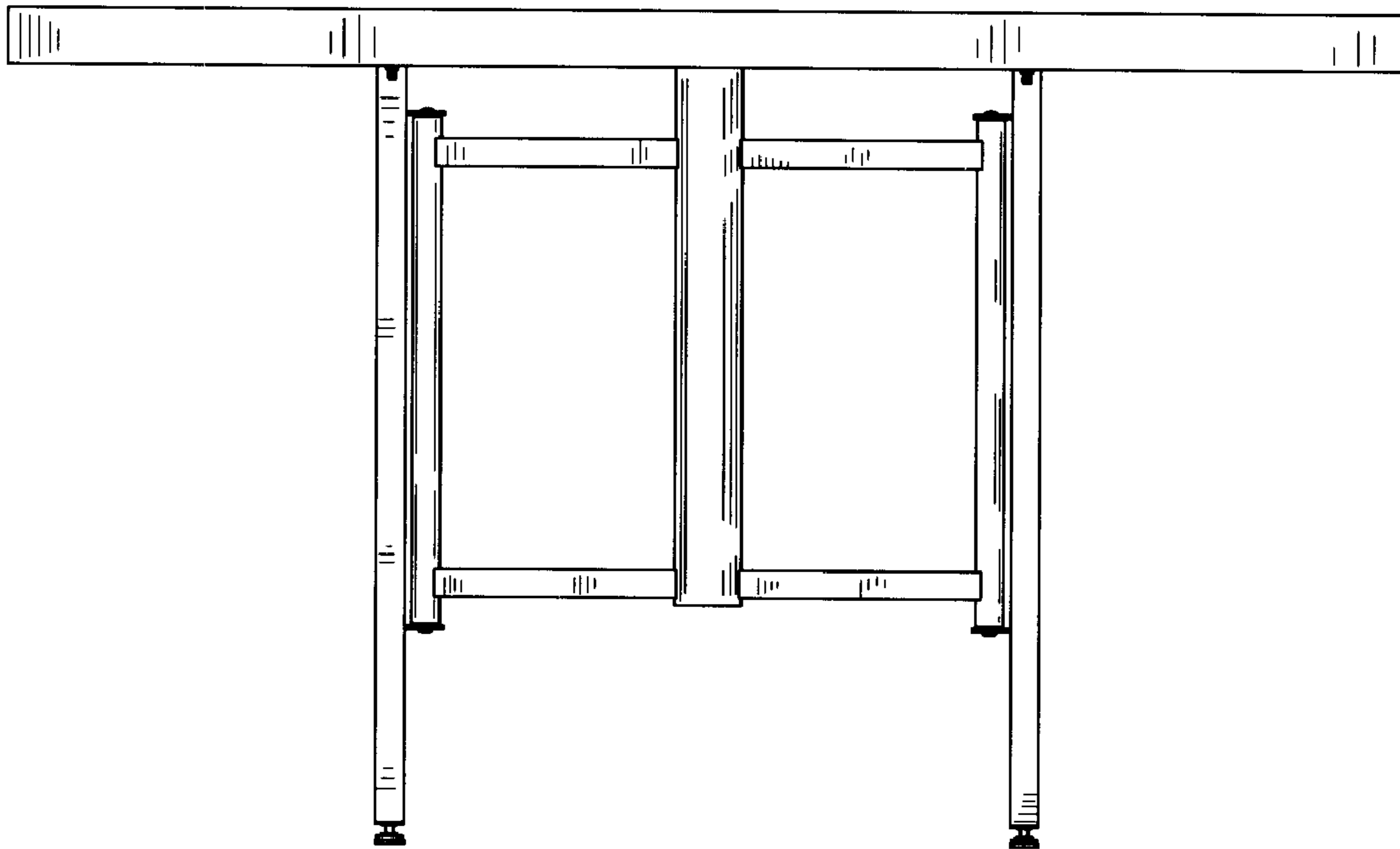


Fig. 3

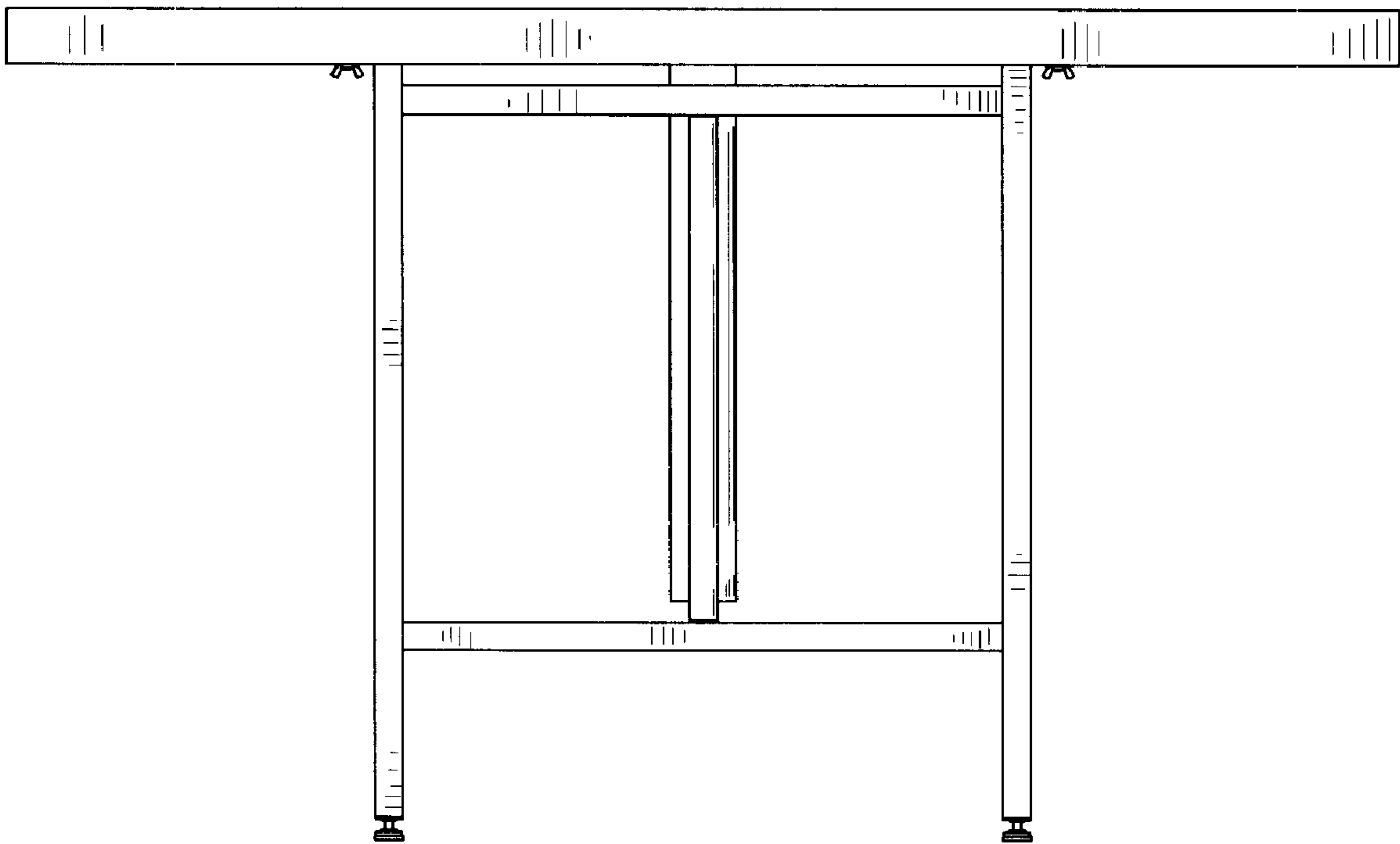


Fig. 4

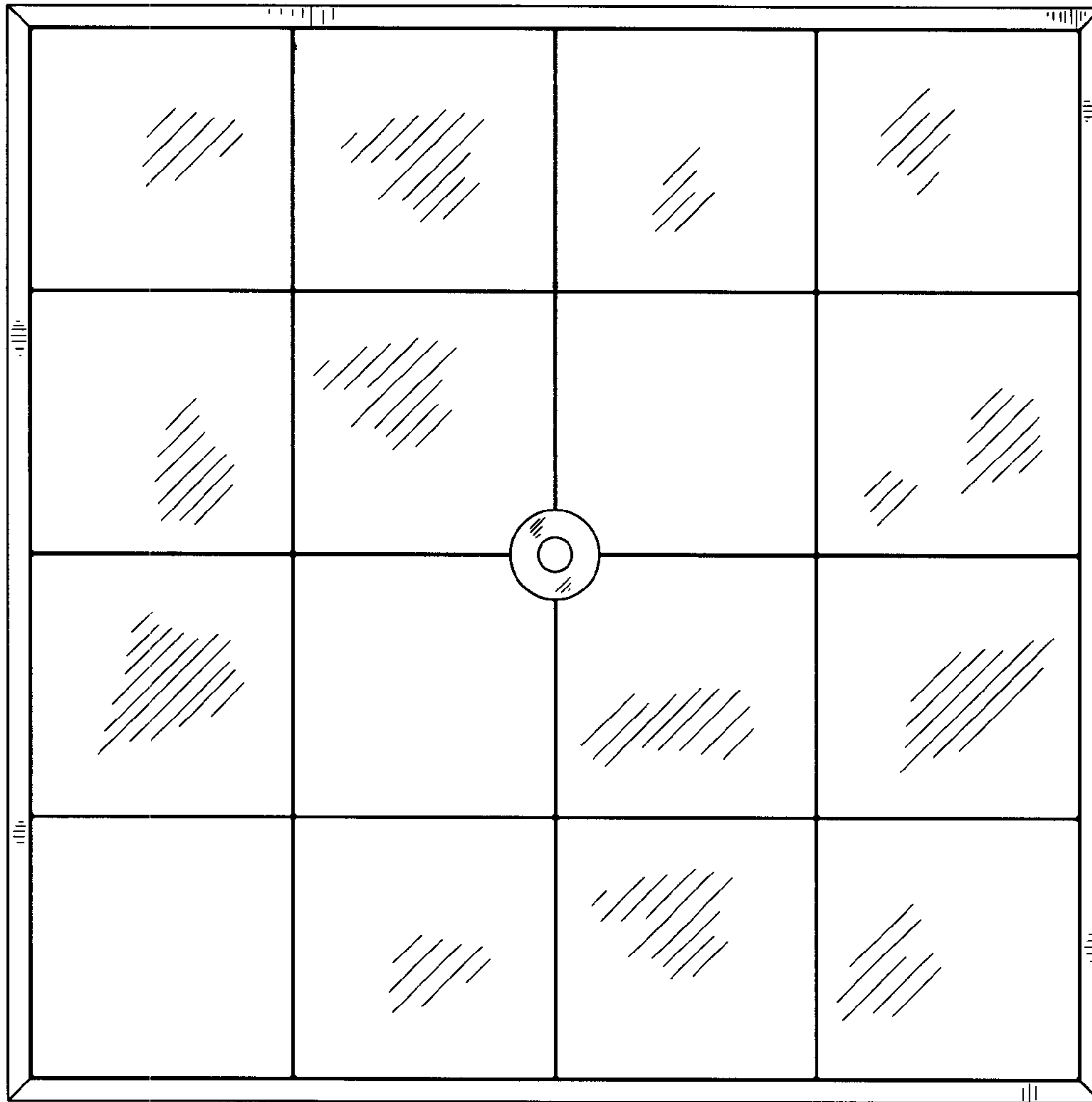


Fig. 5

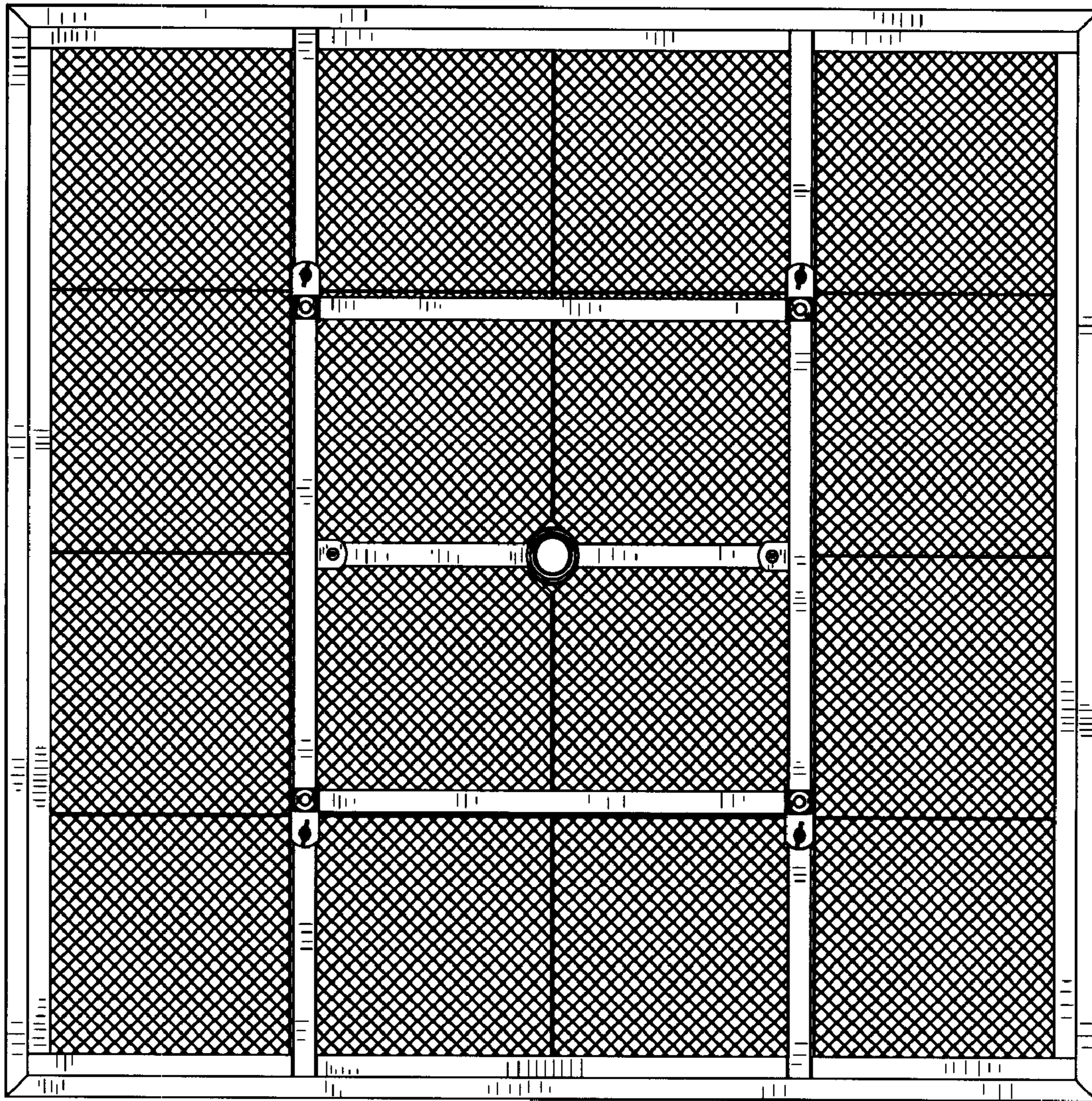


Fig. 6