



US00D530540S

(12) **United States Design Patent**  
**Stravitz**

(10) **Patent No.:** **US D530,540 S**

(45) **Date of Patent:** **\*\* Oct. 24, 2006**

(54) **STACKABLE SHOE RACK**

D428,277 S \* 7/2000 White ..... D6/407  
D431,954 S \* 10/2000 White ..... D6/630

(76) **Inventor:** **David M. Stravitz**, 16 Park Ave., New York, NY (US) 10016

\* cited by examiner

*Primary Examiner*—Cathron C. Brooks

(74) *Attorney, Agent, or Firm*—Brian Roffe

(\*\*) **Term:** **14 Years**

(57) **CLAIM**

(21) **Appl. No.:** **29/242,937**

The ornamental design for a stackable shoe rack, as shown and described.

(22) **Filed:** **Nov. 16, 2005**

**DESCRIPTION**

(51) **LOC (8) Cl.** ..... **06-04**

(52) **U.S. Cl.** ..... **D6/473; D6/463**

(58) **Field of Classification Search** ..... D6/407,  
D6/629, 462–465, 473, 474; 211/34, 36,  
211/37, 182, 189; 206/504

See application file for complete search history.

FIG. 1 is a front, left side perspective view of a stackable shoe rack showing my new design with parts of adjacent, identical shoe racks in a stack of such shoe racks being shown in phantom lines for the purpose of showing the stackability of the shoe racks and forming no part of the claimed design, shoes being placed on the elongate members extending between the end parts;

FIG. 2 is a front elevational view thereof;

FIG. 3 is a right side elevational view thereof with parts of adjacent, identical shoe racks in a stack of such shoe racks being shown in phantom lines for the purpose of showing the stackability of the shoe racks, and forming no part of the claimed design;

FIG. 4 is a left side elevational view thereof with parts of adjacent, identical shoe racks in a stack of such shoe racks being shown in phantom lines for the purpose of showing the stackability of the shoe racks, and forming no part of the claimed design;

FIG. 5 is a rear elevational view thereof;

FIG. 6 is a top plan view thereof; and,

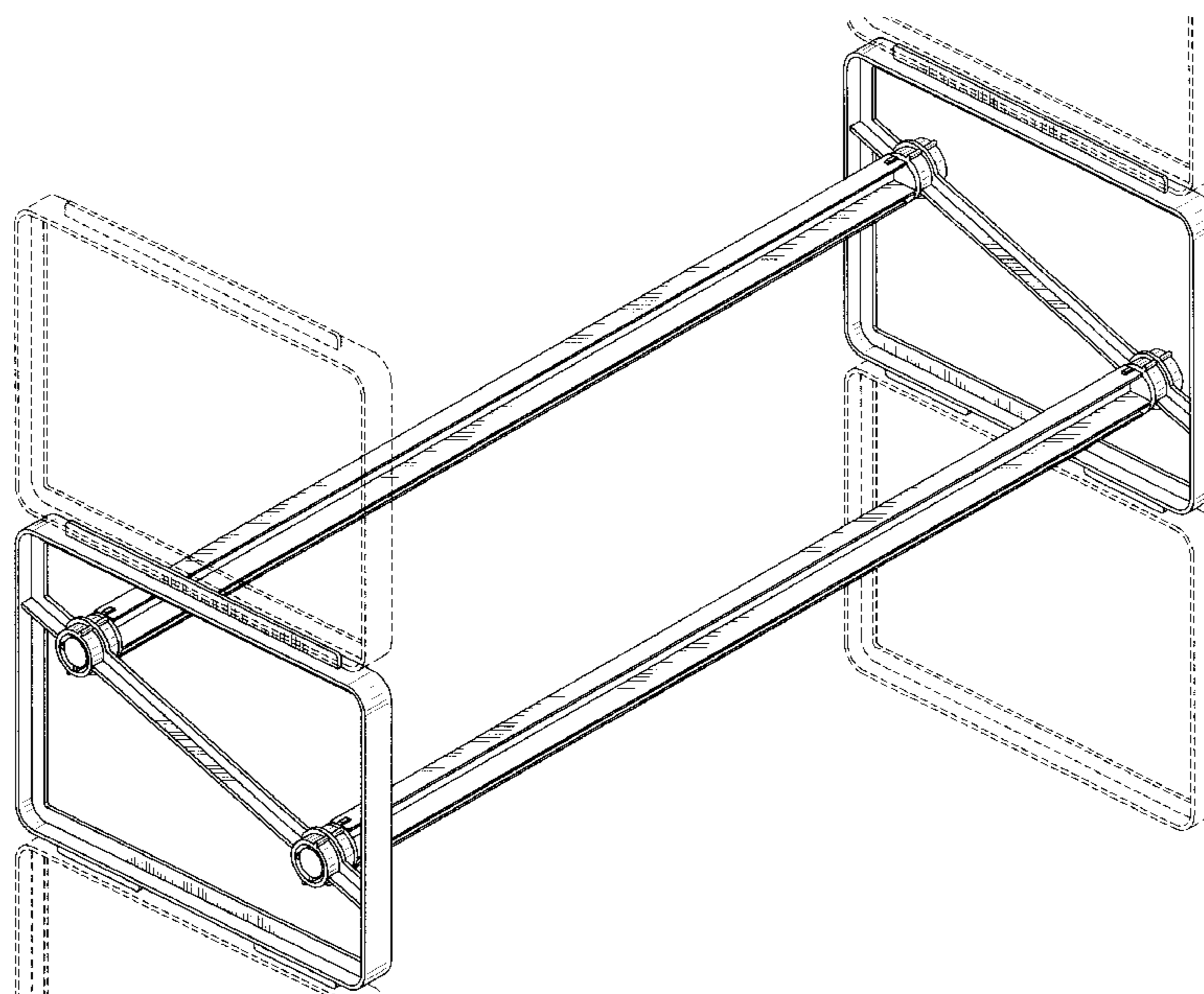
FIG. 7 is a bottom plan view thereof.

(56) **References Cited**

**U.S. PATENT DOCUMENTS**

2,322,748	A	*	6/1943	Shaw et al.	.....	211/85.17
D237,231	S	*	10/1975	Wells	.....	D6/464
D240,421	S	*	7/1976	Rose	.....	D6/462
D283,472	S	*	4/1986	Wattles	.....	D6/463
D322,724	S	*	12/1991	Stravitz	.....	D6/407
D325,133	S	*	4/1992	Stravitz	.....	D6/407
5,172,816	A	*	12/1992	Kline et al.	.....	211/37
D341,500	S	*	11/1993	Klein et al.	.....	D6/411
D348,366	S	*	7/1994	Stravitz	.....	D6/476
D352,965	S	*	11/1994	Stravitz	.....	D19/90
5,415,297	A	*	5/1995	Klein et al.	.....	211/40
D381,225	S	*	7/1997	Malik	.....	D6/513
D398,787	S	*	9/1998	Malik	.....	D6/411
D403,880	S	*	1/1999	Malik	.....	D6/411

**1 Claim, 4 Drawing Sheets**



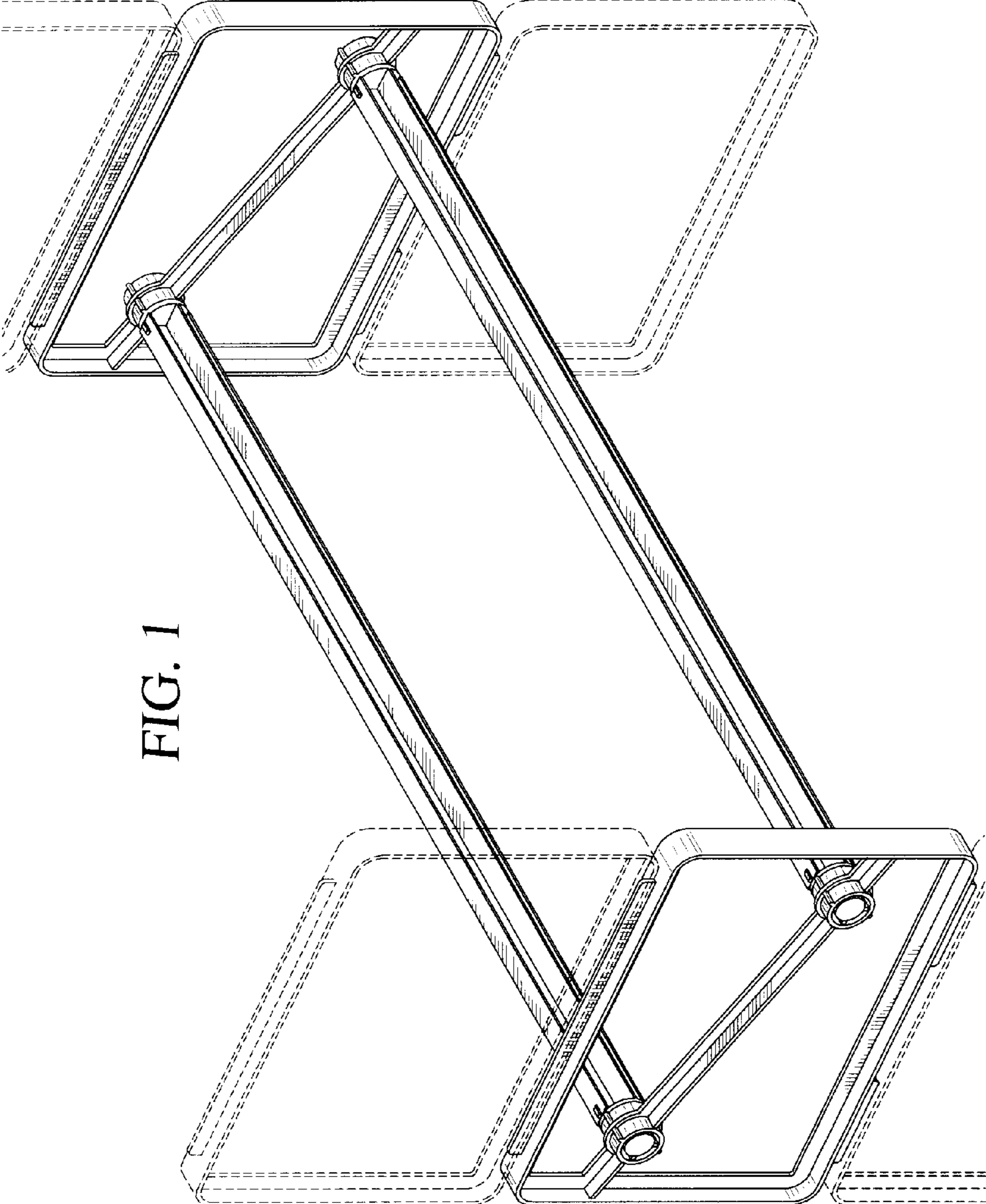
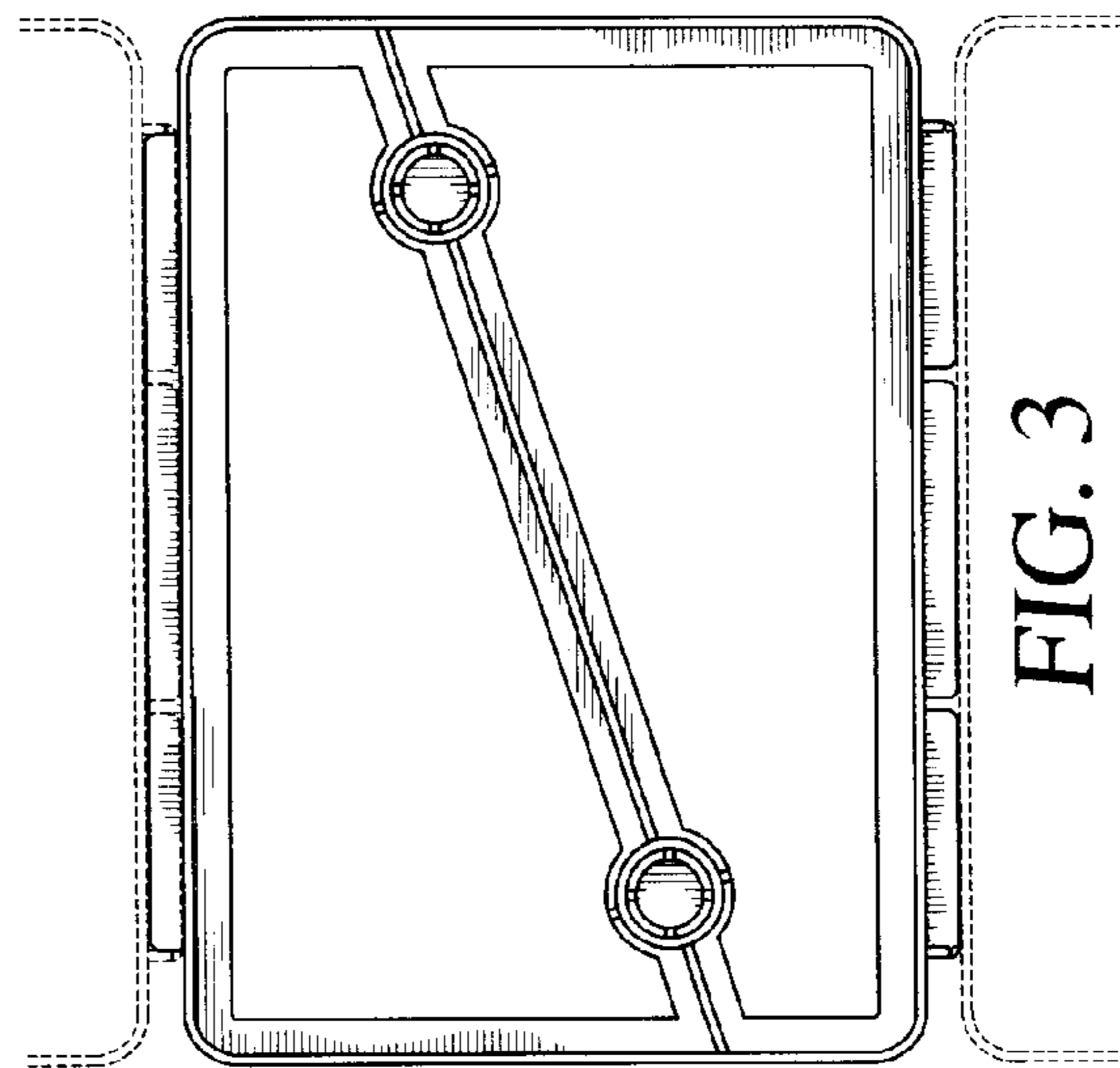
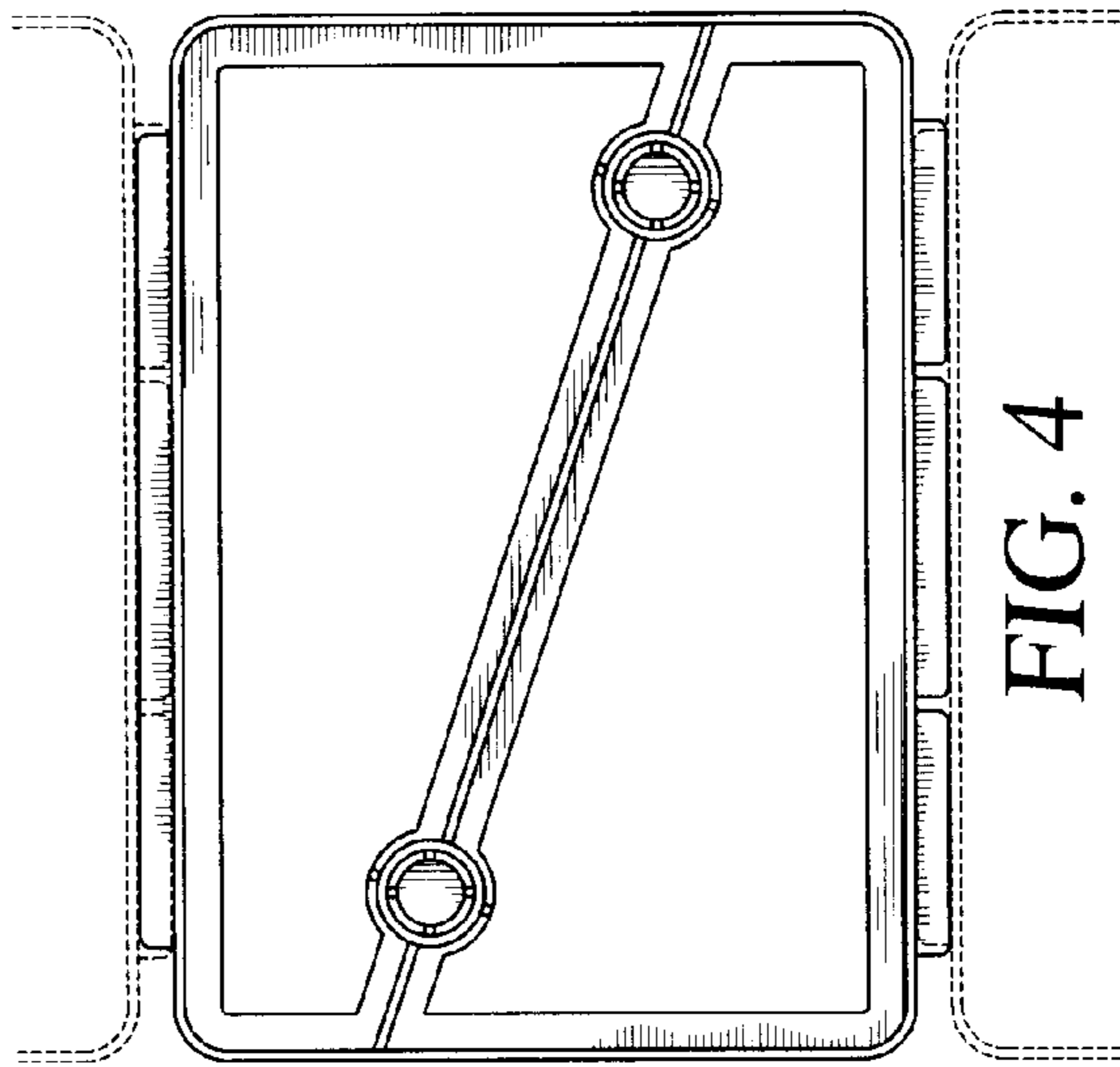
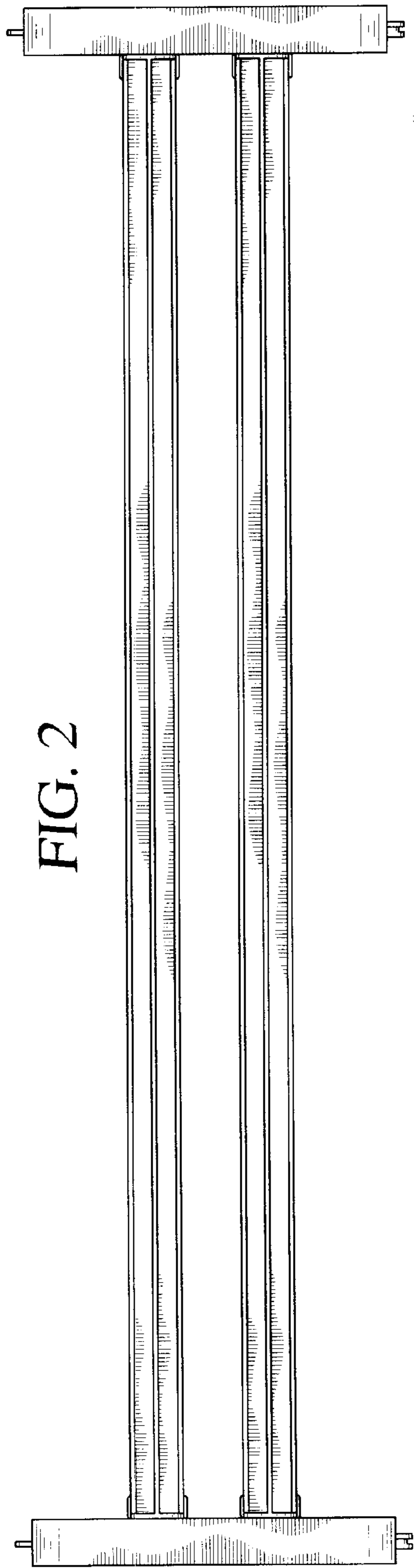


FIG. 1





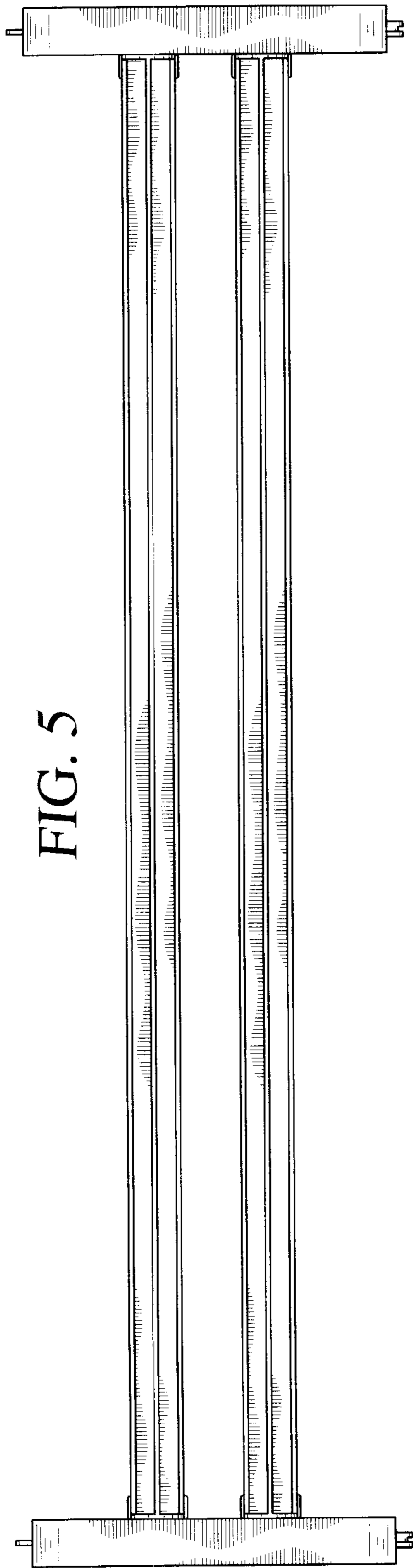


FIG. 5

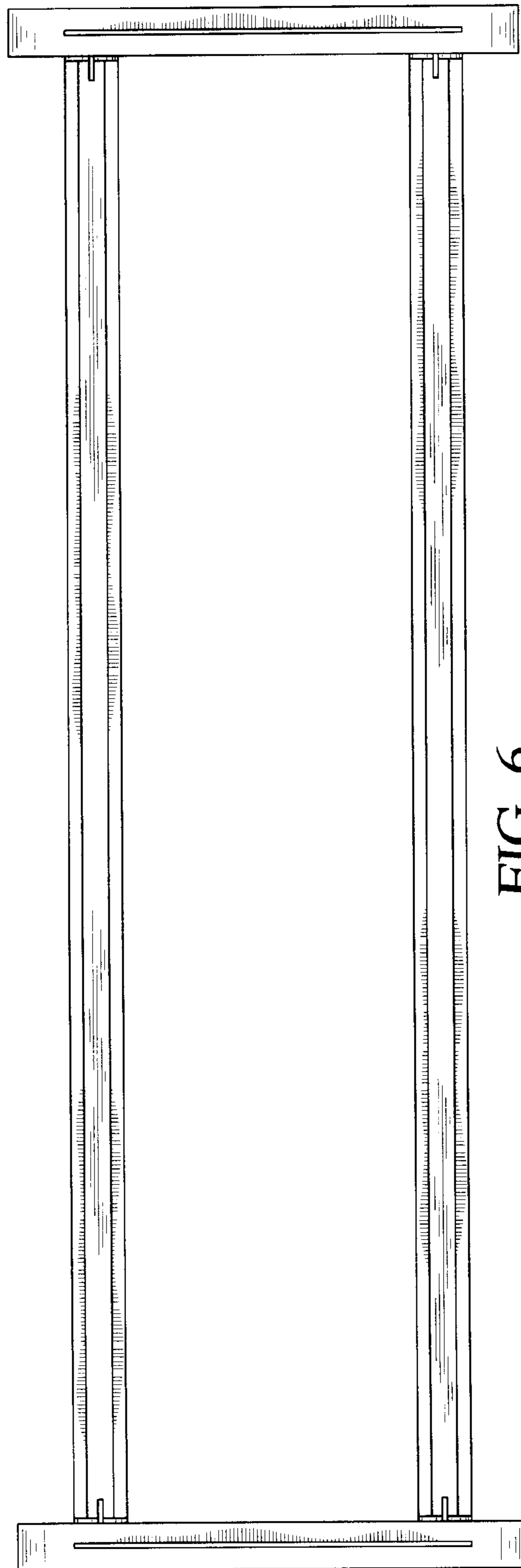


FIG. 6

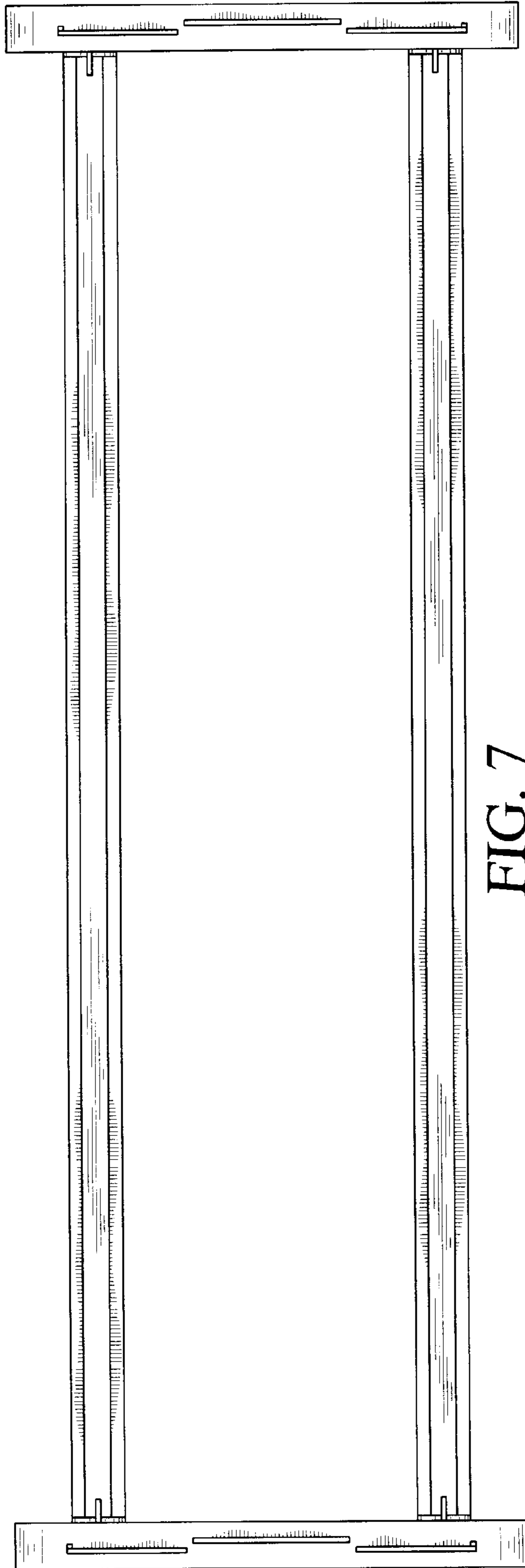


FIG. 7