



US00D530534S

(12) **United States Design Patent**
Skalka

(10) **Patent No.:** **US D530,534 S**

(45) **Date of Patent:** **** Oct. 24, 2006**

(54) **BENCH**

(75) Inventor: **Gerald P. Skalka**, Potomac, MD (US)

(73) Assignee: **Victor Stanley, Inc.**, Dunkirk, MD (US)

(**) Term: **14 Years**

(21) Appl. No.: **29/255,833**

(22) Filed: **Mar. 14, 2006**

D386,012 S	*	11/1997	Skalka	D6/370
D396,358 S	*	7/1998	Geier	D6/349
D396,963 S		8/1998	Jeng		
D399,662 S		10/1998	Jeng		
D401,770 S		12/1998	Jeng		
D406,700 S		3/1999	Slear		
D408,660 S		4/1999	Donnelly		
D409,011 S		5/1999	Jeng		
D409,401 S		5/1999	Jeng		
D409,402 S		5/1999	Jeng		
D409,410 S		5/1999	Jeng		
D409,850 S		5/1999	Jeng		
D413,738 S		9/1999	Hornyak		

Related U.S. Application Data

(62) Division of application No. 29/204,597, filed on May 3, 2004.

(51) **LOC (8) Cl.** **06-01**

(52) **U.S. Cl.** **D6/366**

(58) **Field of Classification Search** D6/332,
D6/335-337, 340, 349, 355, 352-353, 369-370,
D6/381, 495, 499-502; 5/12.1; 108/118,
108/119, 137; 297/16.1-16.2, 451.9, 452.11,
297/452.63, 217.1, 31, 175, 423.1, 423.16,
297/461, 232

See application file for complete search history.

(56) **References Cited**

U.S. PATENT DOCUMENTS

359,790 A	*	3/1887	Knott	297/55
D216,115 S		11/1969	Suzuki		
D263,353 S		3/1982	Beals		
D314,677 S		2/1991	Hanna		
D336,796 S		6/1993	Chang		
D360,538 S		7/1995	Skalka		
D361,901 S		9/1995	Szekely		
D365,937 S	*	1/1996	Skalka	D6/370
D366,773 S	*	2/1996	Yurk	D6/369
D370,570 S		6/1996	Green et al.		
D372,133 S		7/1996	Slear		
D376,271 S		12/1996	Skalka		
D378,965 S	*	4/1997	Yurk	D6/500
D380,313 S		7/1997	Slear		
D383,615 S		9/1997	Skalka		
D384,512 S	*	10/1997	Skalka	D6/370

(Continued)

OTHER PUBLICATIONS

Product Nos. P2587, P3373, A6631, CR 8675, and CR8681, "Wabash Valley 2002 'Plastisol' Coated Furniture Catalog," pp. 47, 50, 64, and 93 (2000).

Product Models CR-14, CR-16, CR-138, CR-140, CR-144, and CR-296, Victor Stanley, Inc., www.victorstanelly.com/products, Jul. 29, 2004.

Primary Examiner—Sandra S. Snapp

(74) *Attorney, Agent, or Firm*—Jacobson Holman PLLC

(57) **CLAIM**

The ornamental design for a bench, as shown and described.

DESCRIPTION

FIG. 1 is a perspective view of a bench showing my new design.

FIG. 2 is a right side elevational view of the bench of FIG. 1, the left side elevational view being the mirror image thereof.

FIG. 3 is a front elevational view of the bench of FIG. 1.

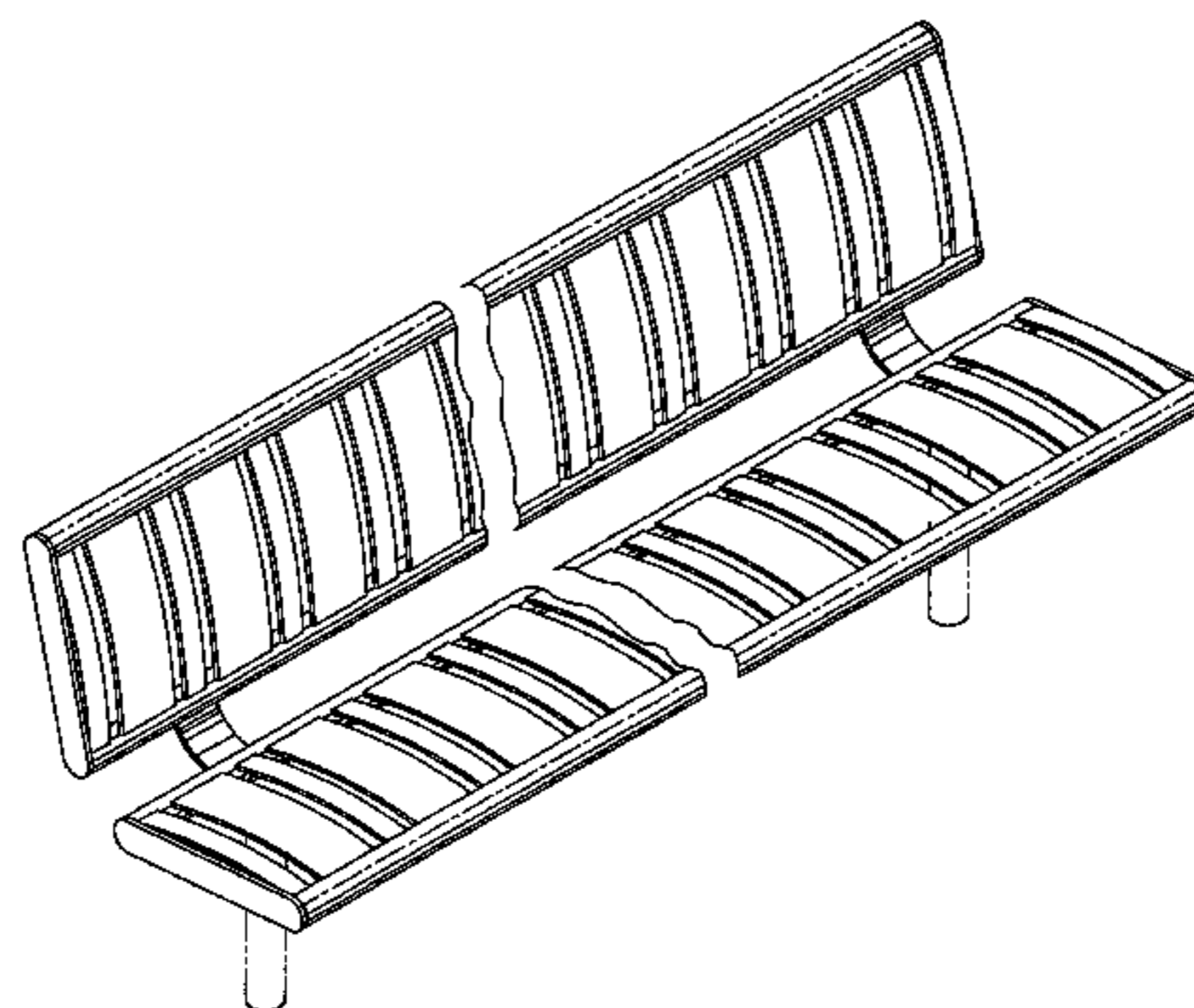
FIG. 4 is a back elevational view of the bench of FIG. 1.

FIG. 5 is a top plan view of the bench of FIG. 1; and,

FIG. 6 is a bottom plan view of the bench of FIG. 1.

The broken line showing of legs in FIGS. 1-6 is environmental only and forms no part of the claimed design.

1 Claim, 2 Drawing Sheets



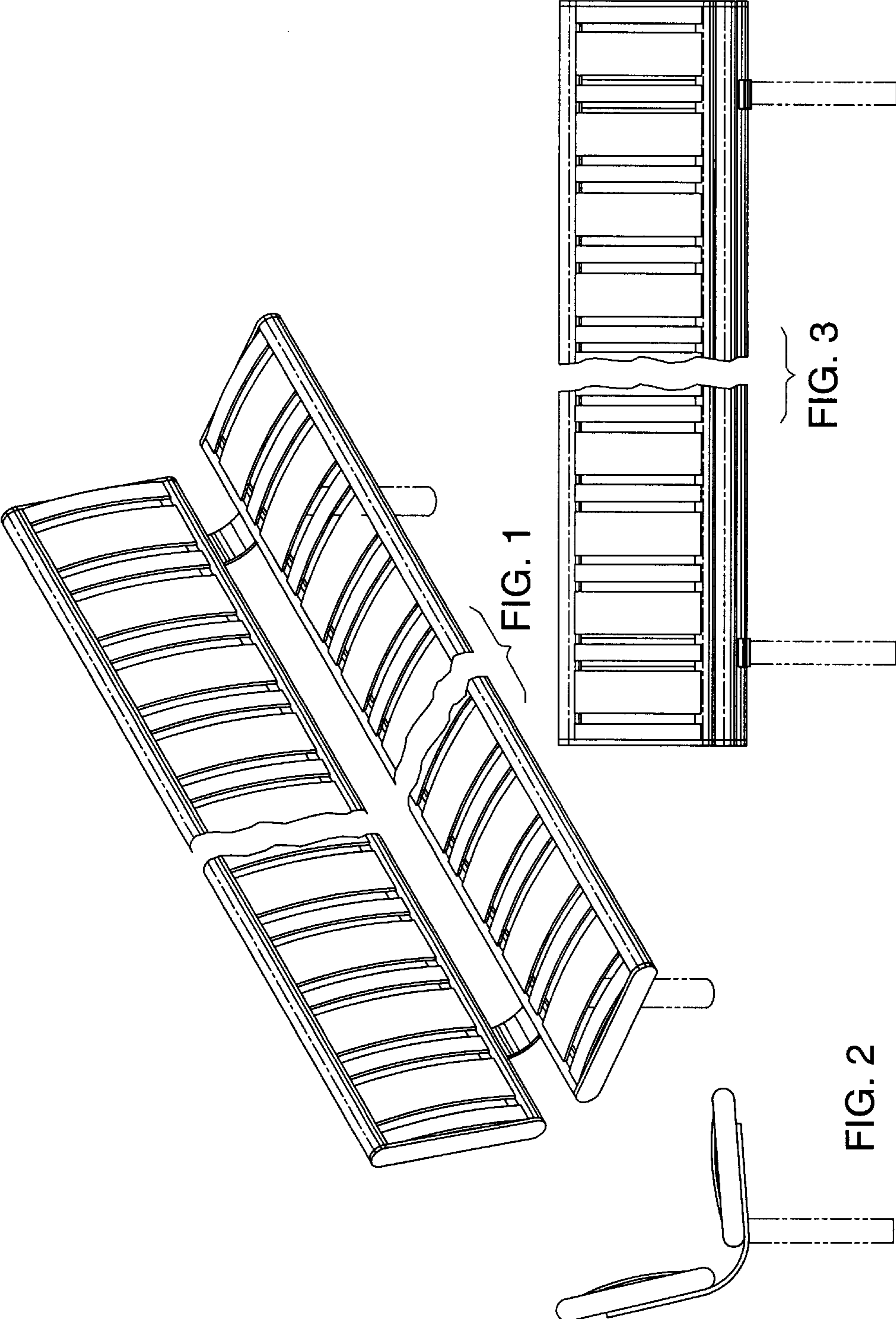
US D530,534 S

Page 2

U.S. PATENT DOCUMENTS

D419,341 S	1/2000	Chipman	D473,063 S	4/2003	Pappas	
D446,399 S	8/2001	Slear	D473,391 S	4/2003	Haney et al.	
D457,742 S	5/2002	Arnold	D482,885 S	* 12/2003	Chipman	D6/370
D458,044 S	6/2002	Slear et al.	D486,004 S	2/2004	Haney et al.	
D466,318 S	12/2002	Arnold	D486,664 S	2/2004	Pappas	
D467,101 S	12/2002	Hughes	D488,934 S	4/2004	Milinov	
D468,126 S	1/2003	Pappas	D498,079 S	11/2004	Messier	
D468,550 S	1/2003	Pappas				

* cited by examiner



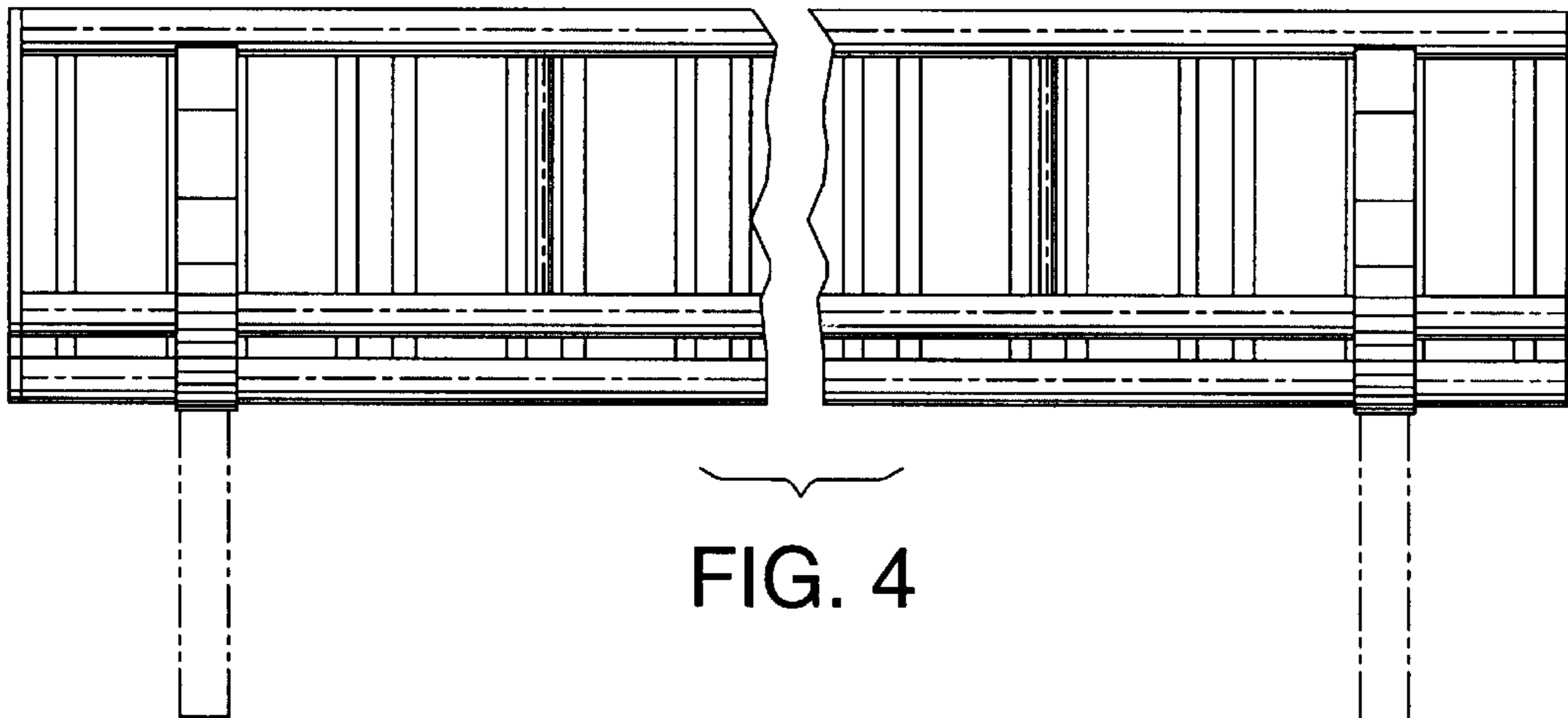


FIG. 4

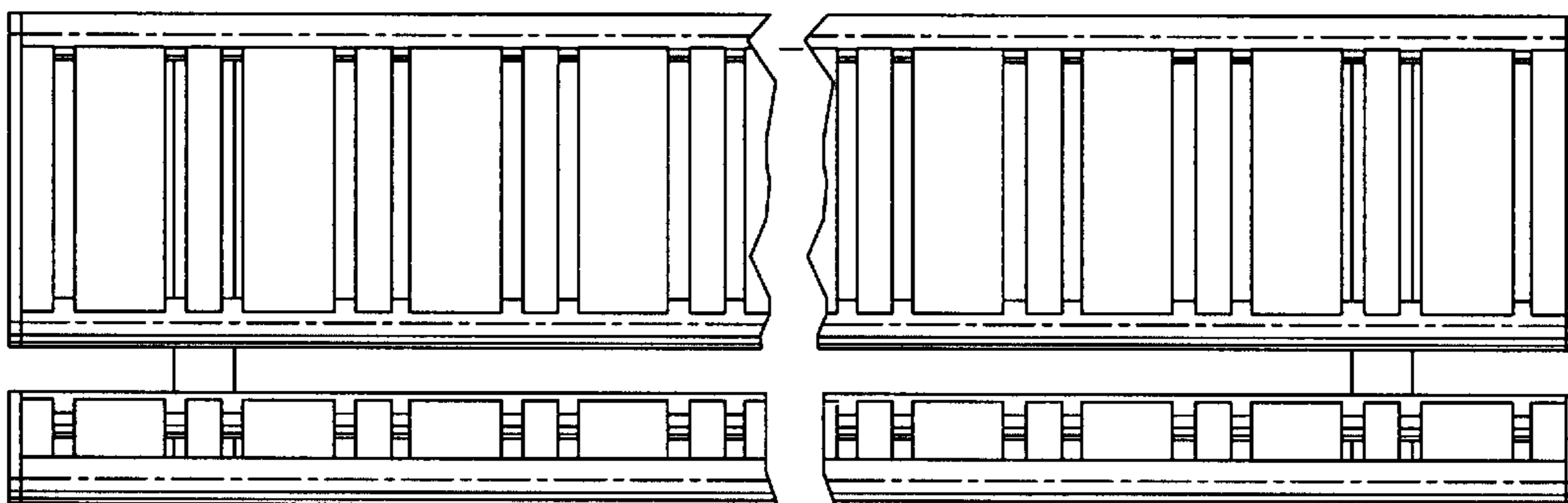


FIG. 5

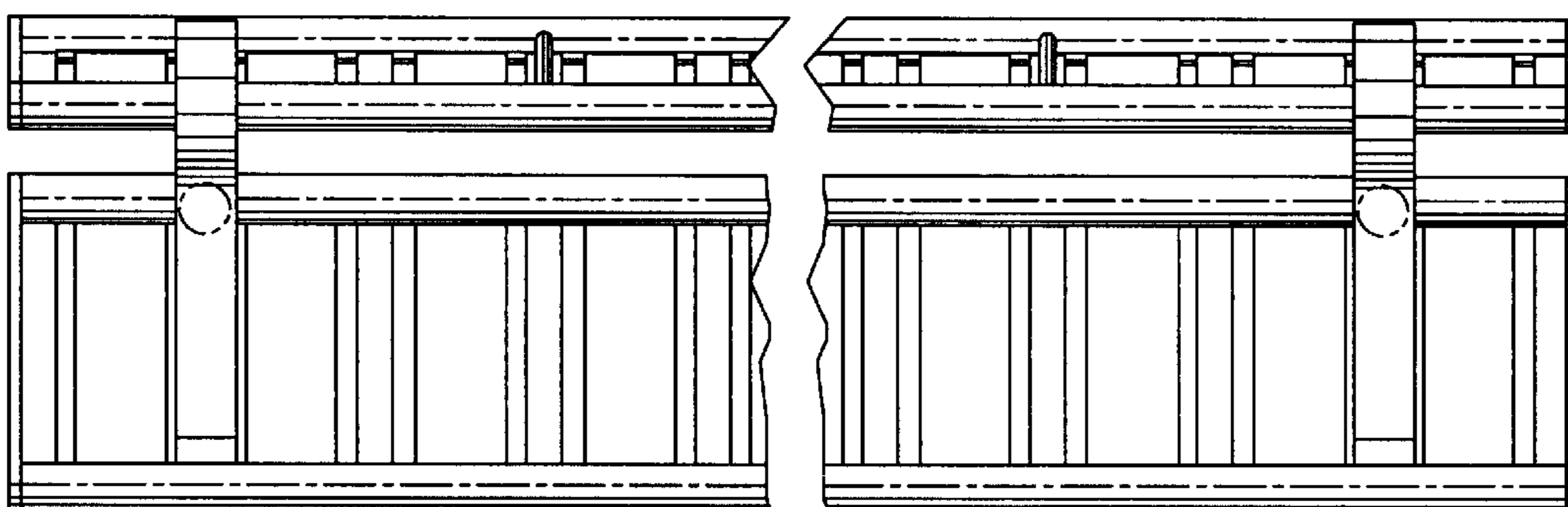


FIG. 6