



US00D530531S

(12) **United States Design Patent**
Kita

(10) **Patent No.:** **US D530,531 S**

(45) **Date of Patent:** **** Oct. 24, 2006**

(54) **FOOTREST**

5,897,122 A * 4/1999 Borner 280/32.6

(76) Inventor: **Toshiyuki Kita**, TS Bldg 2F 3-1-2
Tenma, Kita-ku, Osaka (JP), 530-0043

* cited by examiner

(**) Term: **14 Years**

Primary Examiner—Sandra S. Snapp
(74) *Attorney, Agent, or Firm*—Schneck & Schneck;
Thomas Schneck

(21) Appl. No.: **29/240,350**

(22) Filed: **Oct. 11, 2005**

(57) **CLAIM**

(30) **Foreign Application Priority Data**

I claim the ornamental design for a footrest, as shown.

Apr. 12, 2005 (NO) 20050186

DESCRIPTION

(51) **LOC (8) Cl.** **06-01**

(52) **U.S. Cl.** **D6/349**

(58) **Field of Classification Search** D6/332,
D6/335–337, 340, 349, 355, 352–353, 369–370,
D6/381, 495, 499–502; 5/12.1; 108/118,
108/119, 137; 297/16.1–16.2, 451.9, 452.11,
297/452.63, 217.1, 31, 175, 423.1, 423.16,
297/461, 232

FIG. 1 is a perspective view of my new design.

FIG. 2 is a front view thereof.

FIG. 3 is a rear view thereof.

FIG. 4 is a right side view thereof.

FIG. 5 is a left side view thereof.

FIG. 6 is a top view thereof; and,

FIG. 7 is a bottom view thereof.

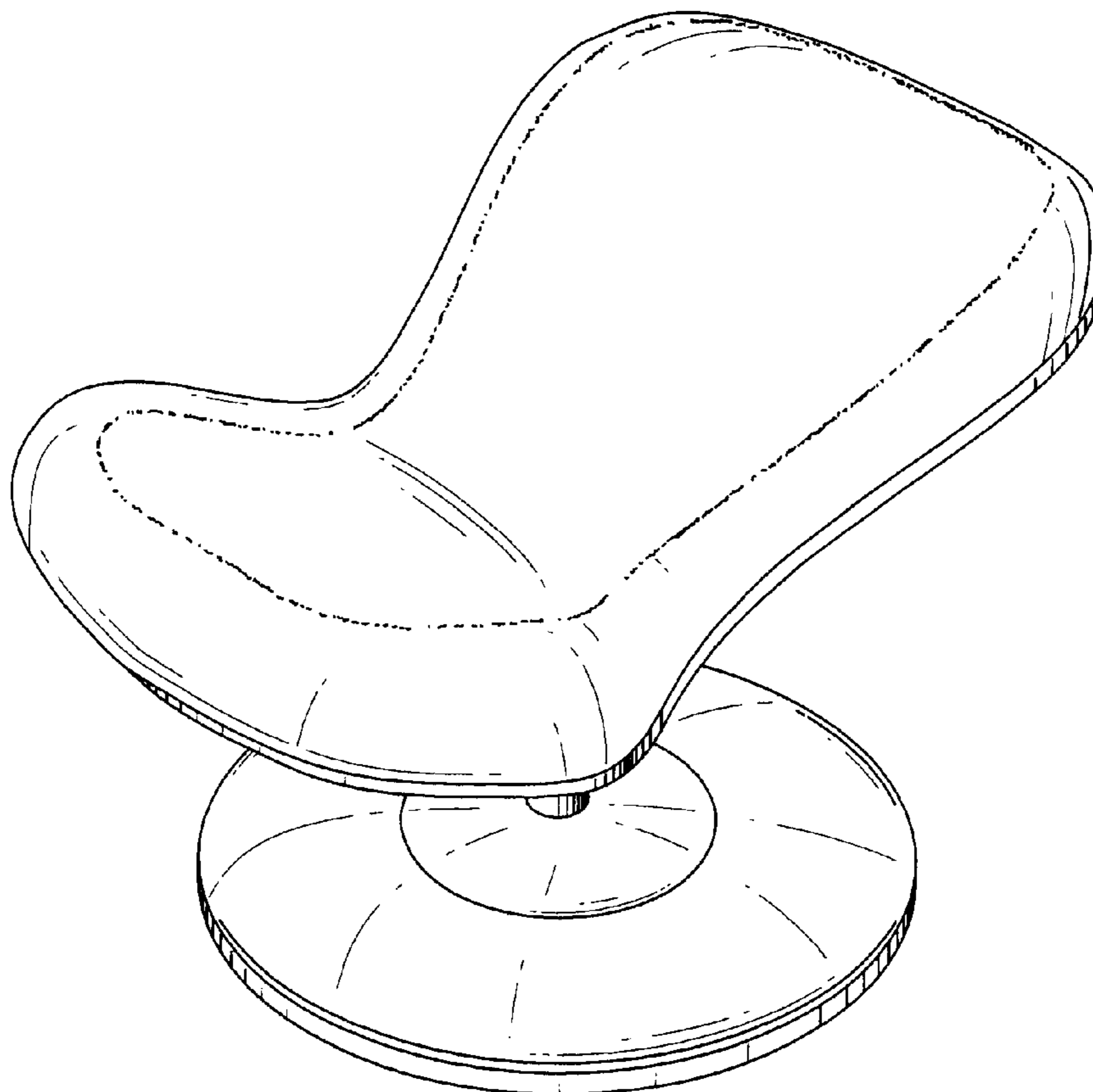
See application file for complete search history.

(56) **References Cited**

U.S. PATENT DOCUMENTS

D400,677 S * 11/1998 Borner et al. D34/23

1 Claim, 4 Drawing Sheets



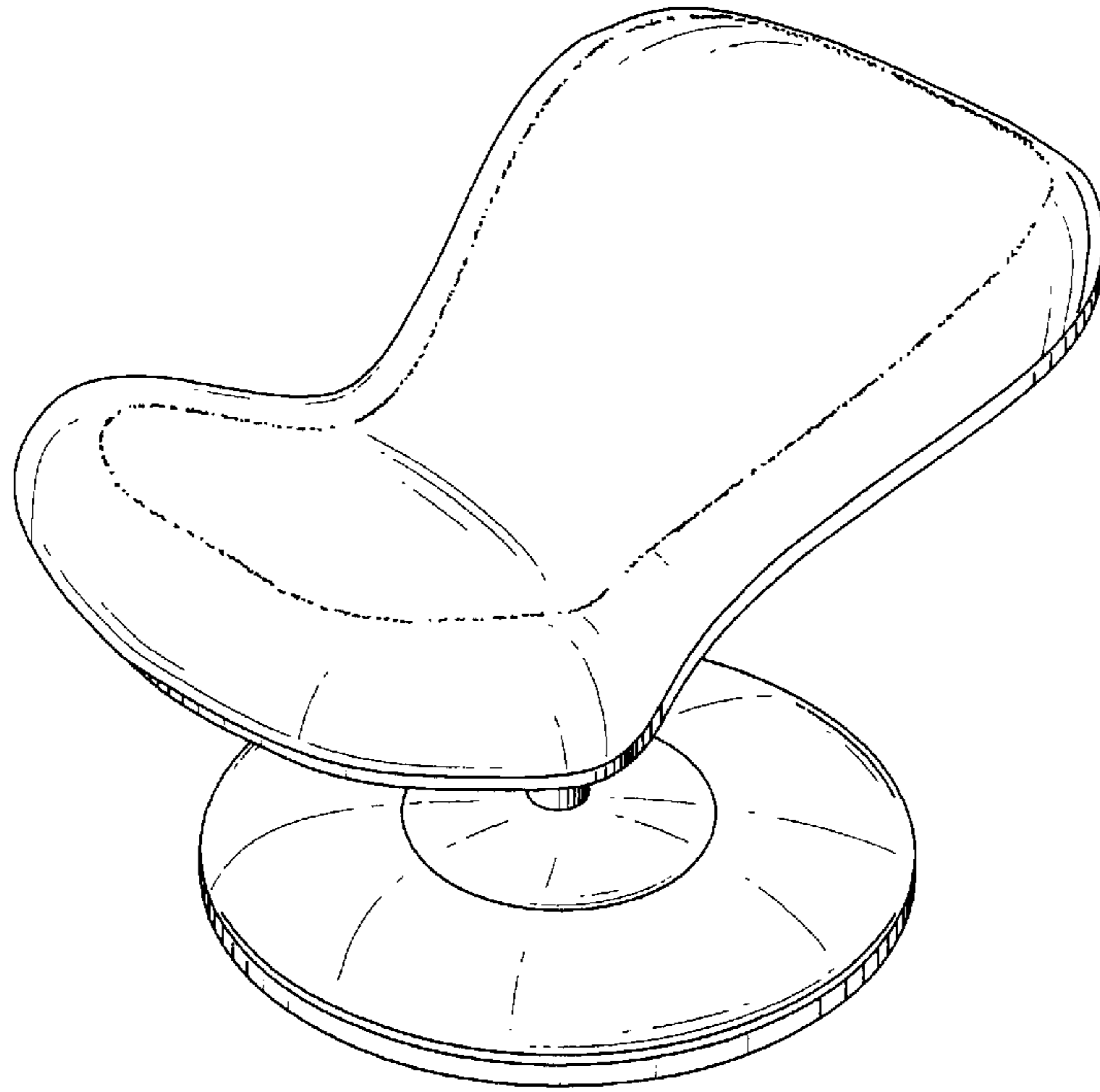


Fig. 1

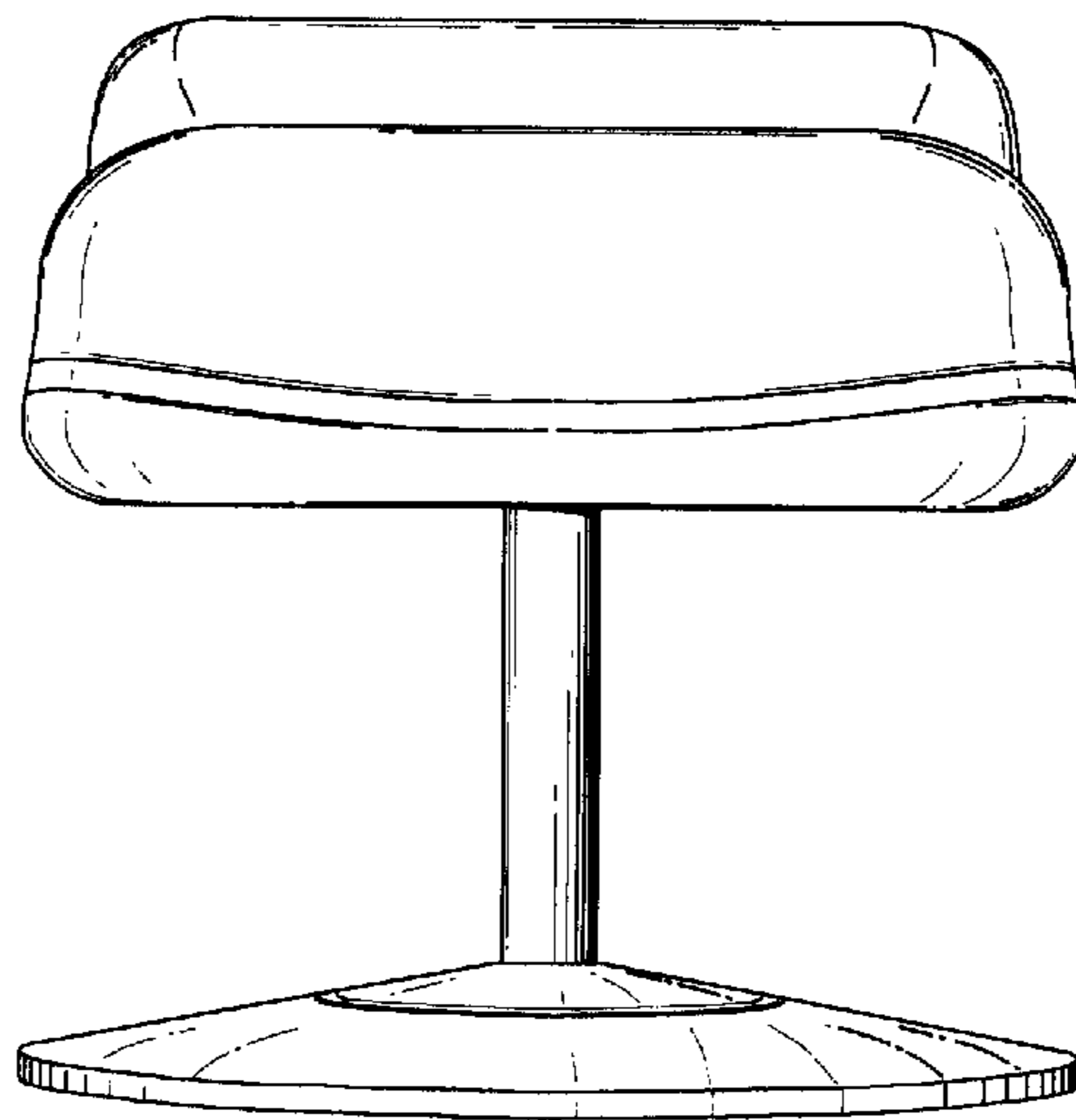


Fig. 2

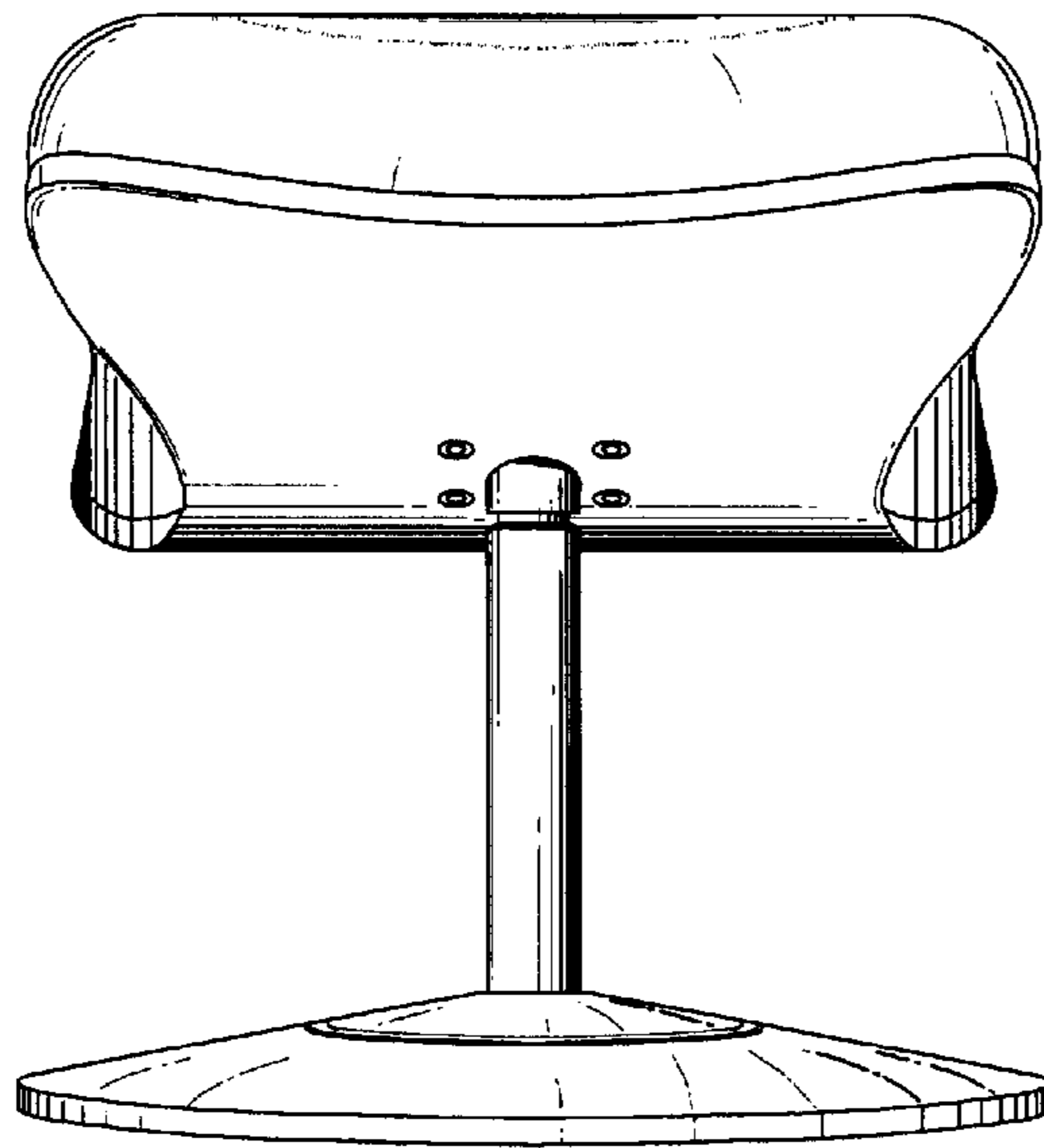


Fig. 3

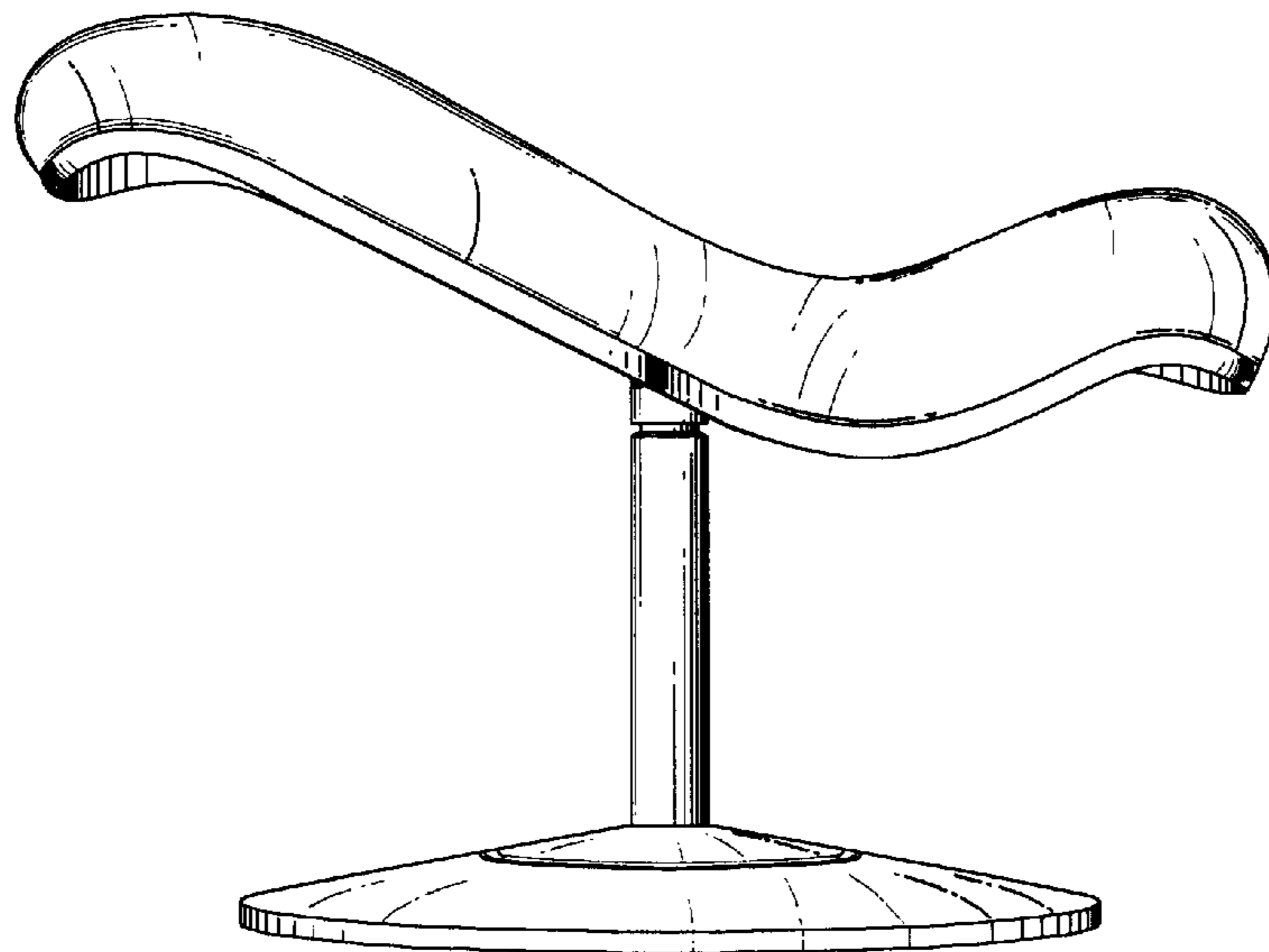


Fig. 4

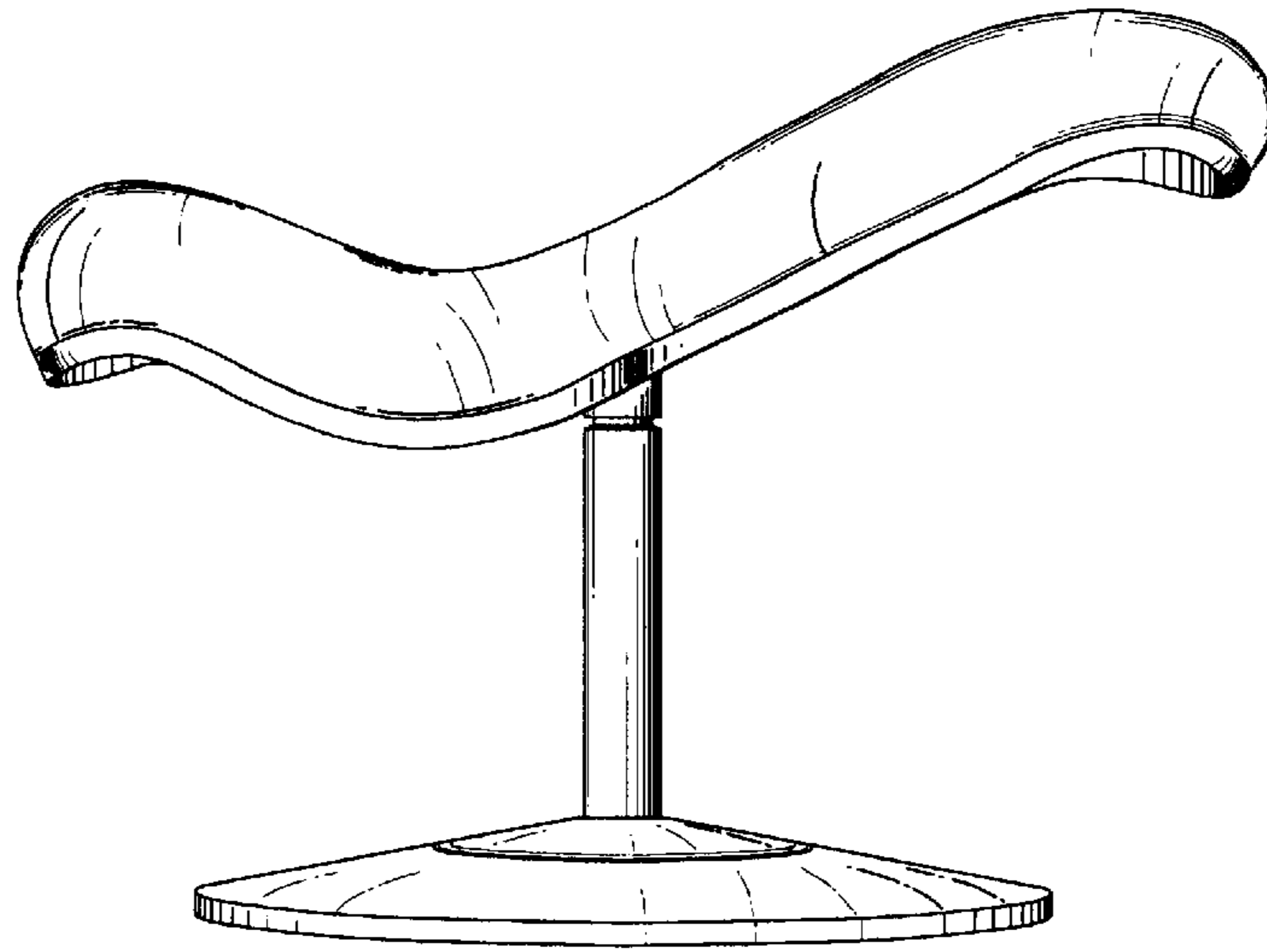


Fig. 5

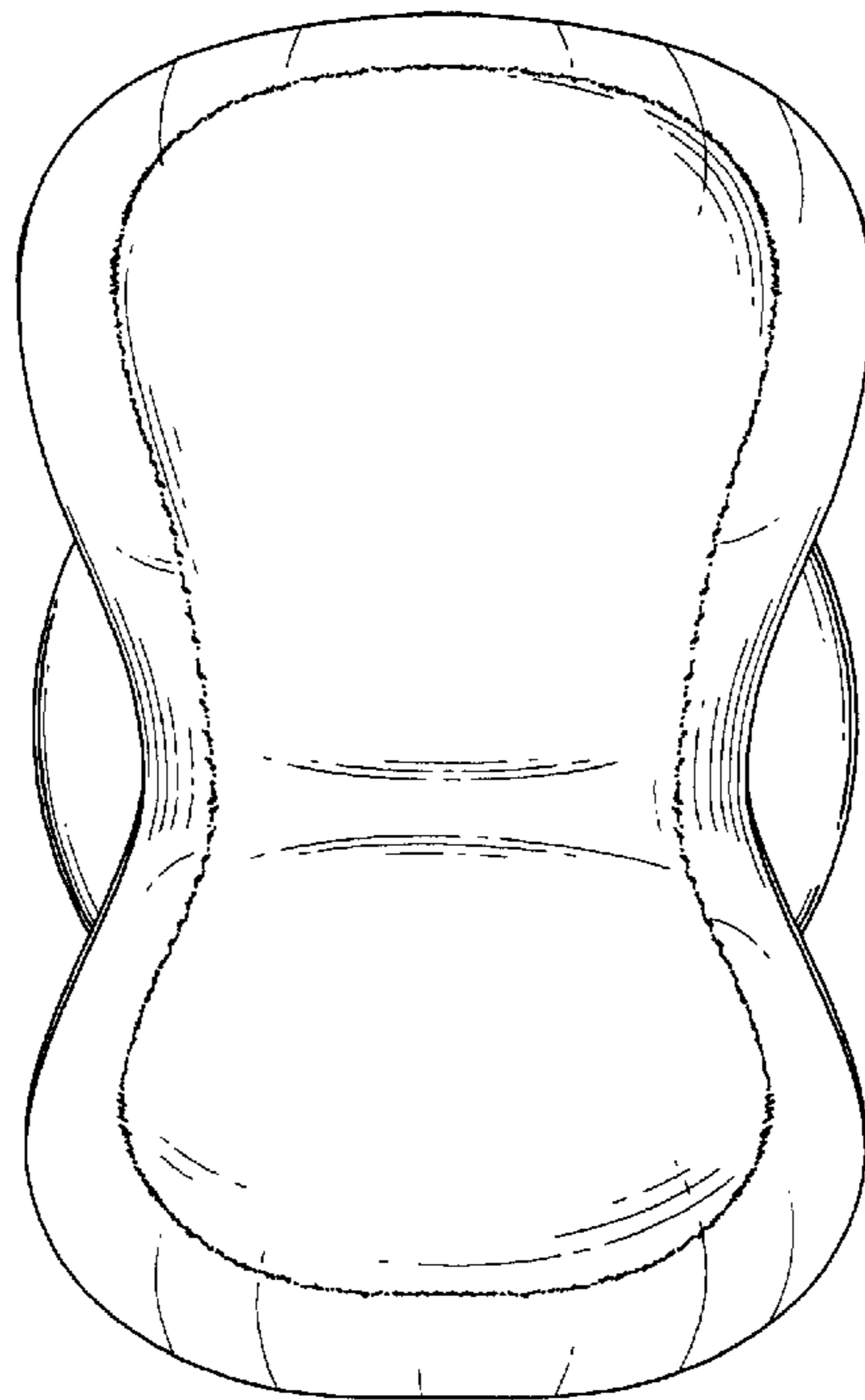


Fig. 6

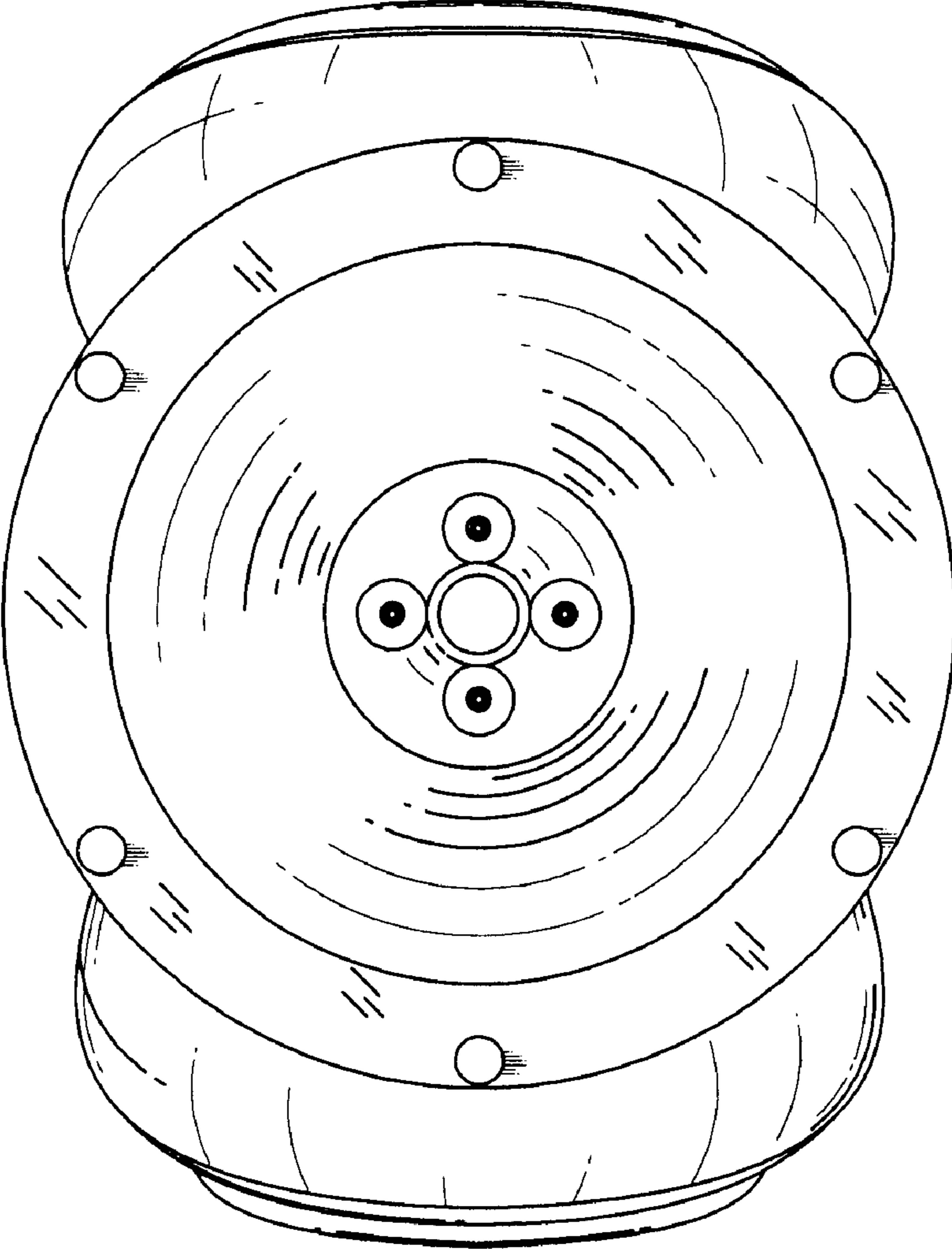


Fig. 7