



US00D530530S

(12) **United States Design Patent**  
**Gehry**

(10) **Patent No.:** **US D530,530 S**  
(45) **Date of Patent:** **\*\* Oct. 24, 2006**

(54) **LEFT TWIST STOOL**

D431,379 S \* 10/2000 Lewis ..... D6/334  
D439,447 S \* 3/2001 Diekman ..... D6/486  
D471,888 S \* 3/2003 Solland ..... D14/204

(75) Inventor: **Frank O. Gehry**, Los Angeles, CA  
(US)

**OTHER PUBLICATIONS**

(73) Assignee: **Gehry Design, LLC**, Los Angeles, CA  
(US)

Modern Plastics Corp. ad, series 200– Radius Cube, 1 pg.\*  
Interior Design Article, Feb. 1989, 1 pg., Ke–zu arm chair  
with ottomon.\*  
In–Stock monofom cube tables ad, pp. 4 & 5, Intrex Inc.  
1983 catalog.\*

(\*\*) Term: **14 Years**

\* cited by examiner

(21) Appl. No.: **29/203,407**

(22) Filed: **Apr. 13, 2004**

(51) **LOC (8) Cl.** ..... **06-01**

*Primary Examiner*—Sandra S. Snapp

(52) **U.S. Cl.** ..... **D6/349**

(74) *Attorney, Agent, or Firm*—Gottlieb, Rackman &  
Reisman, P.C.

(58) **Field of Classification Search** ..... D6/334–339,  
D6/349, 352, 364–366, 353, 369, 370, 495,  
D6/500–502; 5/12.1; 297/445.1, 232, 446.1,  
297/447.3, 448.1, 452.1

(57) **CLAIM**

See application file for complete search history.

The ornamental design for a left twist stool, as shown and  
described.

(56) **References Cited**

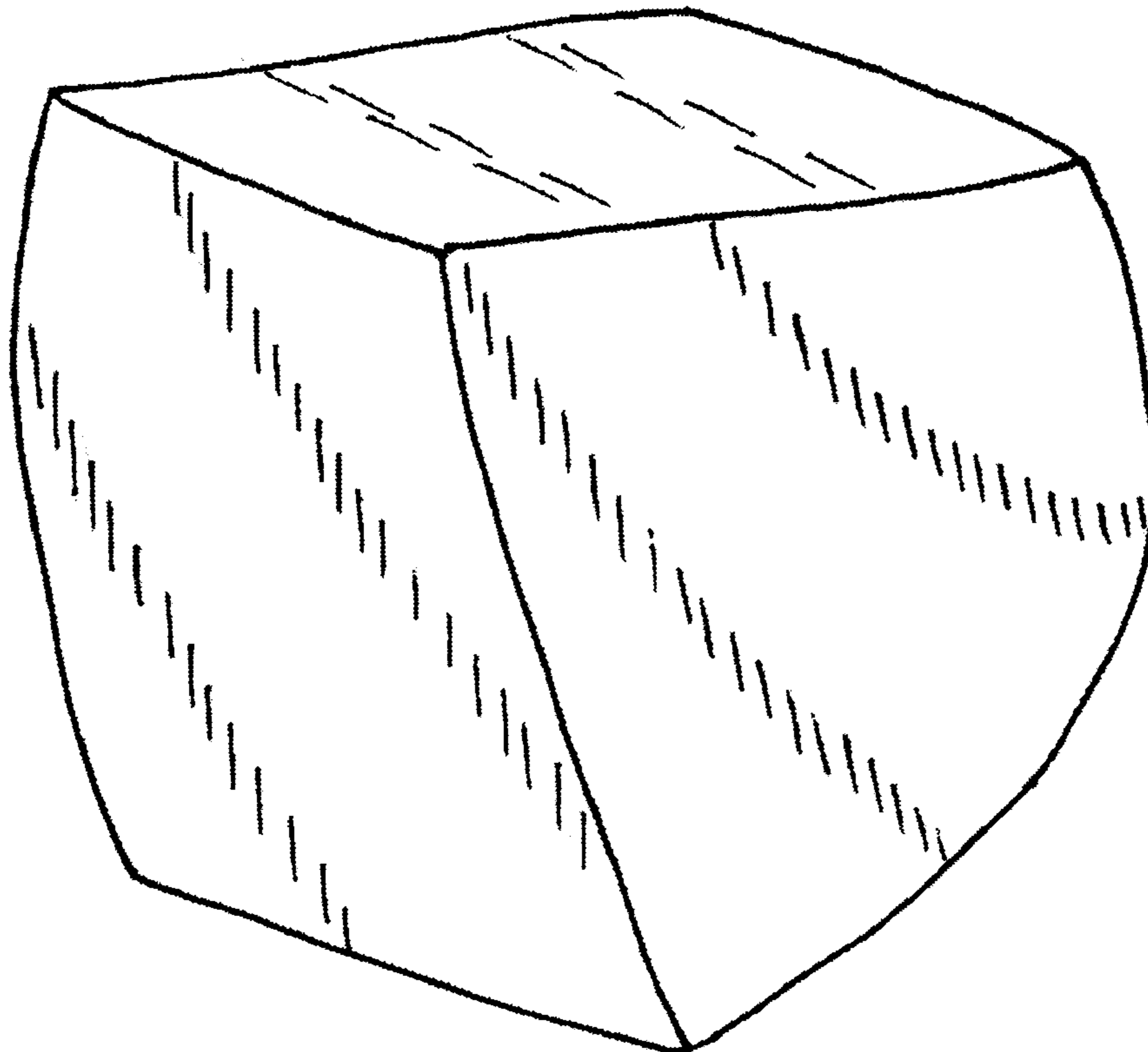
**DESCRIPTION**

**U.S. PATENT DOCUMENTS**

2,805,430 A \* 9/1957 Philbrick ..... 114/363  
4,185,125 A \* 1/1980 Sakakibara et al. .... 426/439  
4,618,924 A \* 10/1986 Hinds ..... 700/86  
4,666,162 A \* 5/1987 Campbell ..... 273/249  
D430,412 S \* 9/2000 Lewis ..... D6/334

FIG. 1 is a perspective view of a design for a left twist stool;  
FIG. 2 is another perspective view of said design;  
FIG. 3 is another perspective view of said design; and,  
FIG. 4 is another perspective view of said design.

**1 Claim, 4 Drawing Sheets**



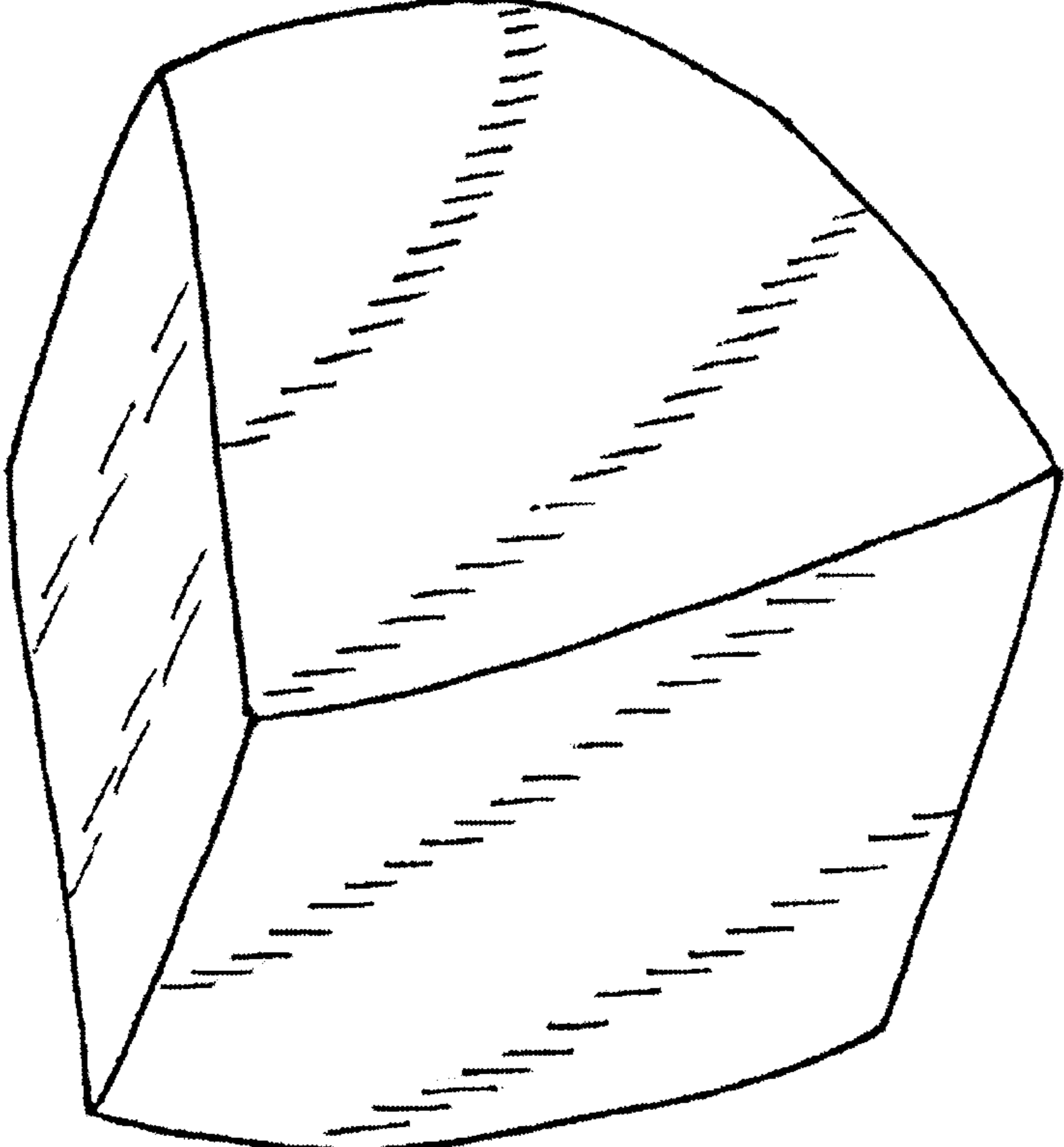


FIG. 1

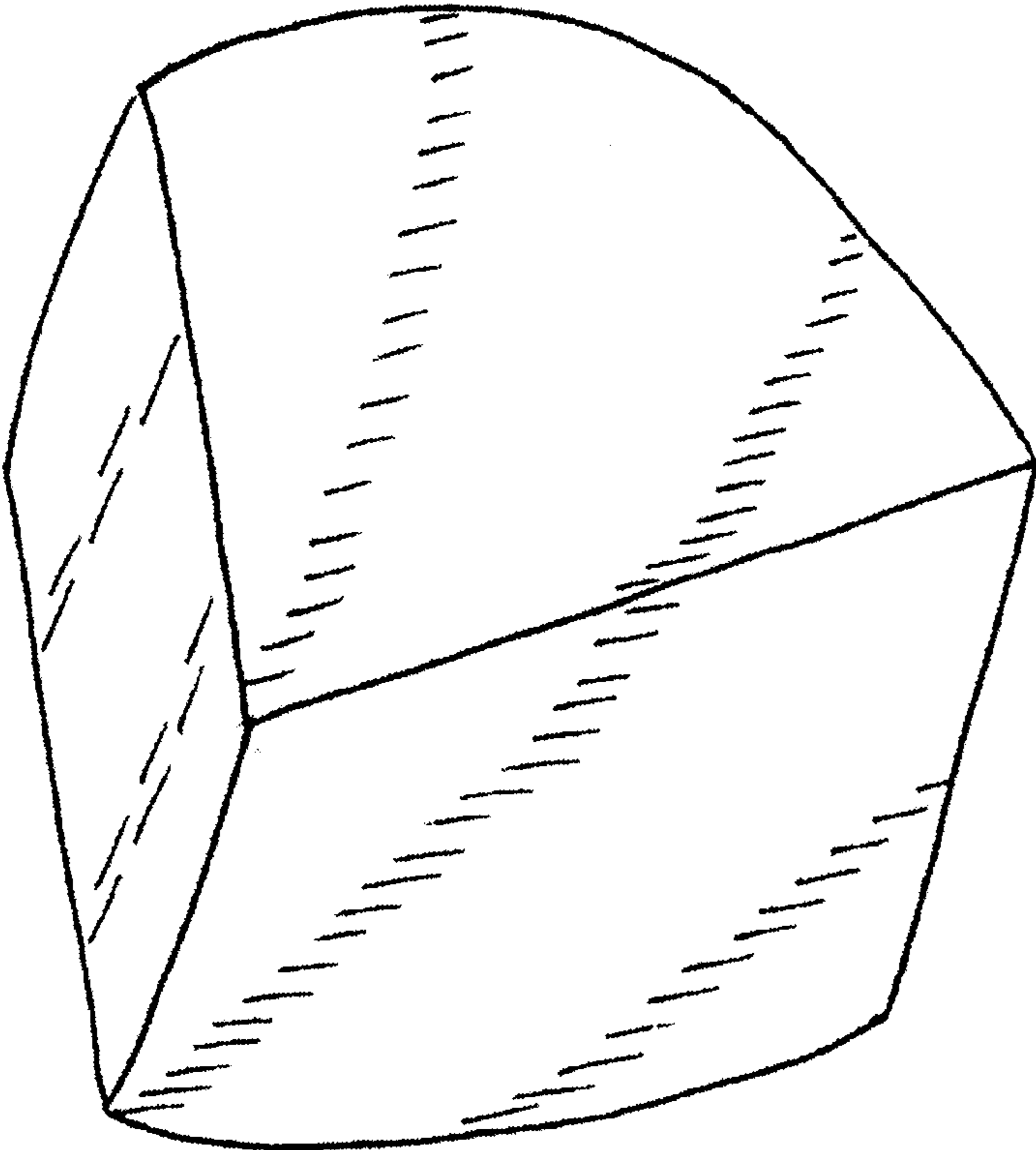


FIG. 2

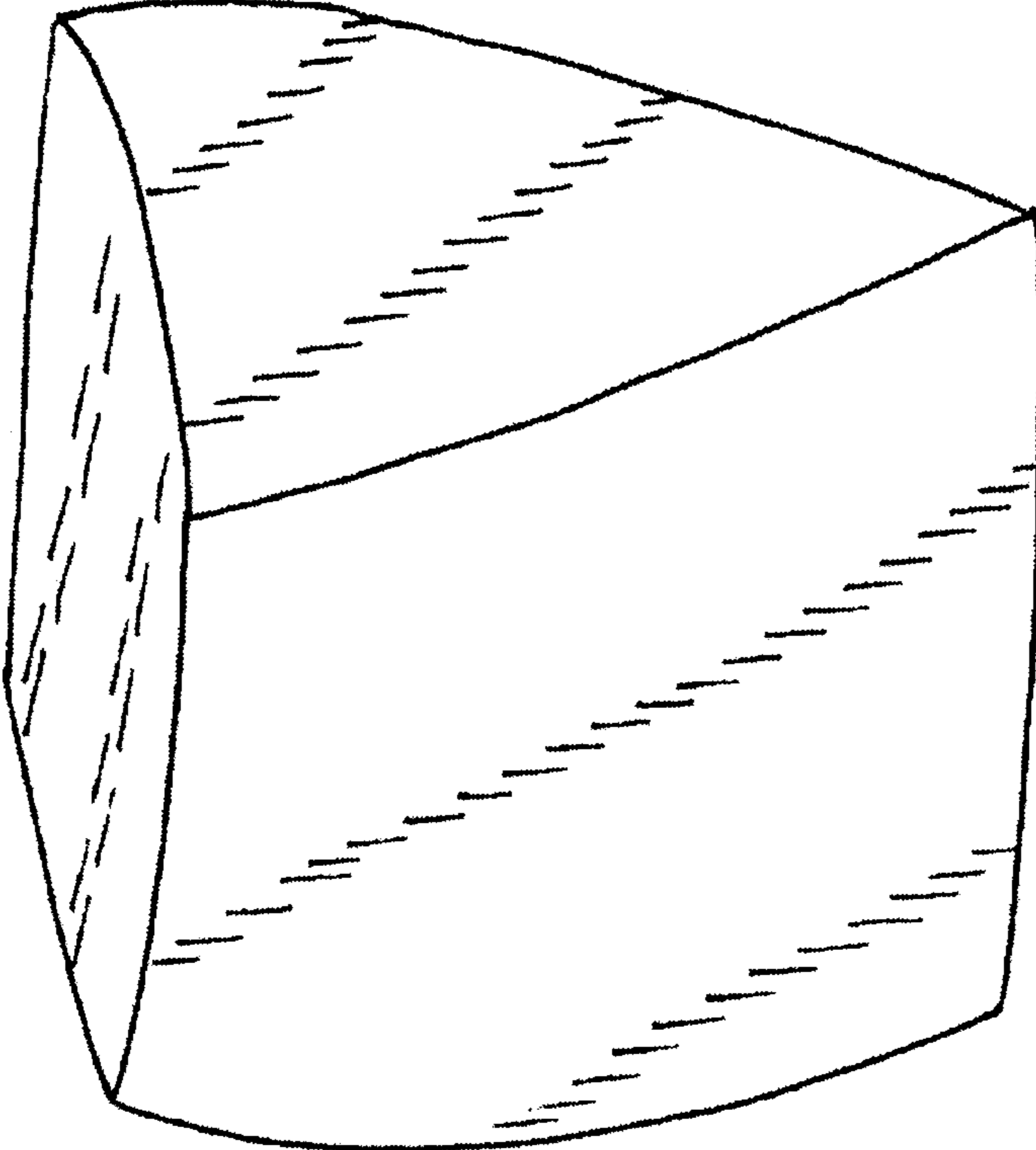


FIG. 3

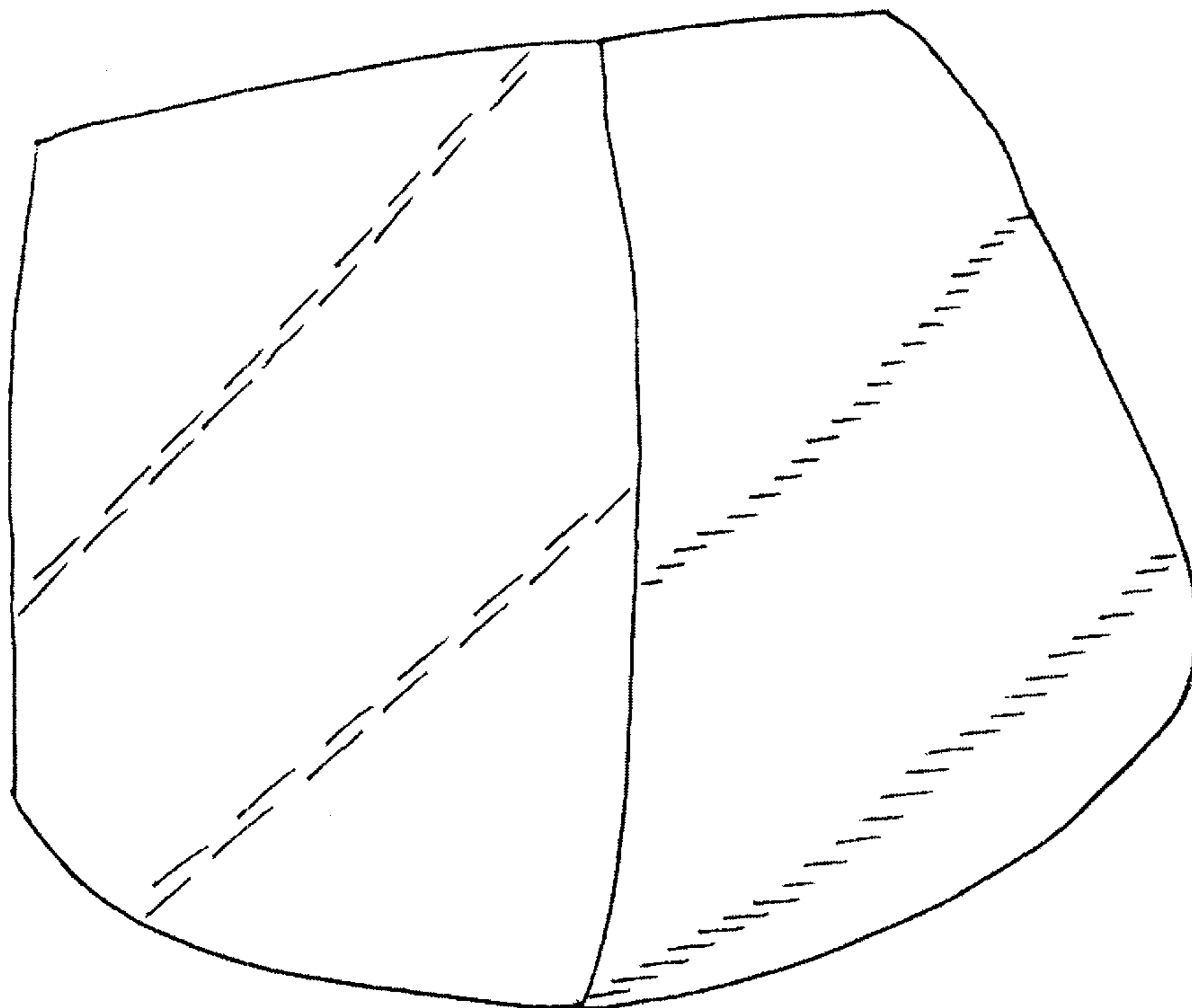


FIG. 4