



US00D530529S

(12) **United States Design Patent**
Gehry

(10) **Patent No.:** **US D530,529 S**

(45) **Date of Patent:** **** Oct. 24, 2006**

(54) **RIGHT TWIST STOOL**

D431,379 S * 10/2000 Lewis D6/334
D439,447 S * 3/2001 Diekman D6/486
D471,888 S * 3/2003 Solland D14/204

(75) Inventor: **Frank O. Gehry**, Los Angeles, CA
(US)

(73) Assignee: **Gehry Design, LLC**, Los Angeles, CA
(US)

(**) Term: **14 Years**

(21) Appl. No.: **29/203,403**

(22) Filed: **Apr. 13, 2004**

(51) **LOC (8) Cl.** **06-01**

(52) **U.S. Cl.** **D6/349**

(58) **Field of Classification Search** D6/334-339,
D6/349, 352, 364-366, 353, 369, 370, 495,
D6/500-502; 5/12.1; 297/445.1, 232, 446.1,
297/447.3, 448.1, 452.1

See application file for complete search history.

(56) **References Cited**

U.S. PATENT DOCUMENTS

2,805,430 A * 9/1957 Philbrick 114/363
4,185,125 A * 1/1980 Sakakibara et al. 426/439
4,618,924 A * 10/1986 Hinds 700/86
4,666,162 A * 5/1987 Campbell 273/249
D430,412 S * 9/2000 Lewis D6/334

OTHER PUBLICATIONS

Modern Plastics Corp. ad, series 200—Radius Cube, 1 pg.*
Interior Design Article, Feb. 1989, 1 pg., Ke-zu arm chair
with ottoman.*

In-Stock monoform cube tables ad, pp. 4 & 5, Intrex Inc.
1983 catalog.*

* cited by examiner

Primary Examiner—Sandra S. Snapp

(74) *Attorney, Agent, or Firm*—Gottlieb, Rackman &
Reisman, P.C.

(57) **CLAIM**

The ornamental design for a right twist stool, as shown and
described.

DESCRIPTION

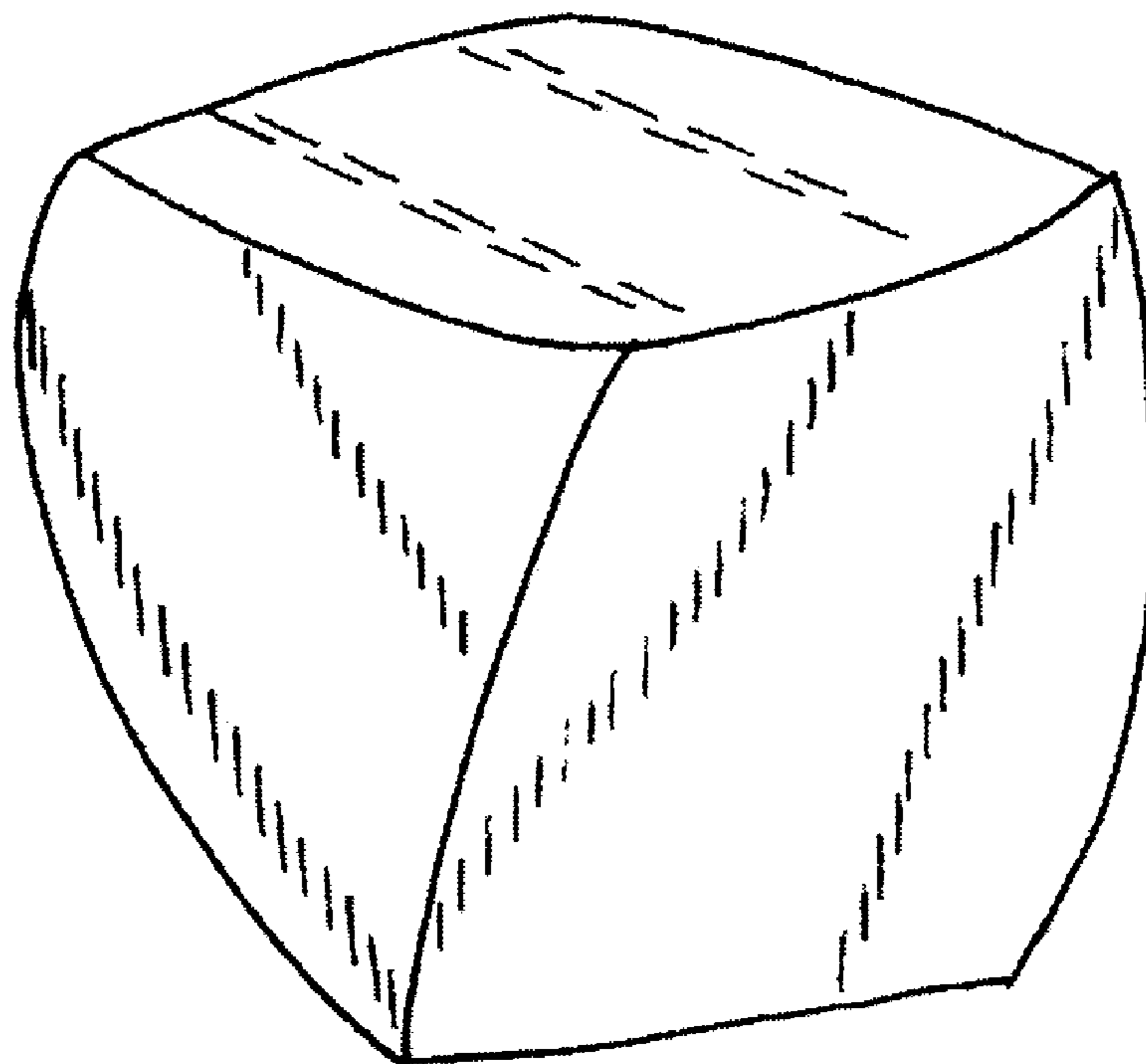
FIG. 1 is a perspective view of a design for a right twist
stool;

FIG. 2 is another perspective view of said design;

FIG. 3 is another perspective view of said design; and,

FIG. 4 is another perspective view of said design.

1 Claim, 4 Drawing Sheets



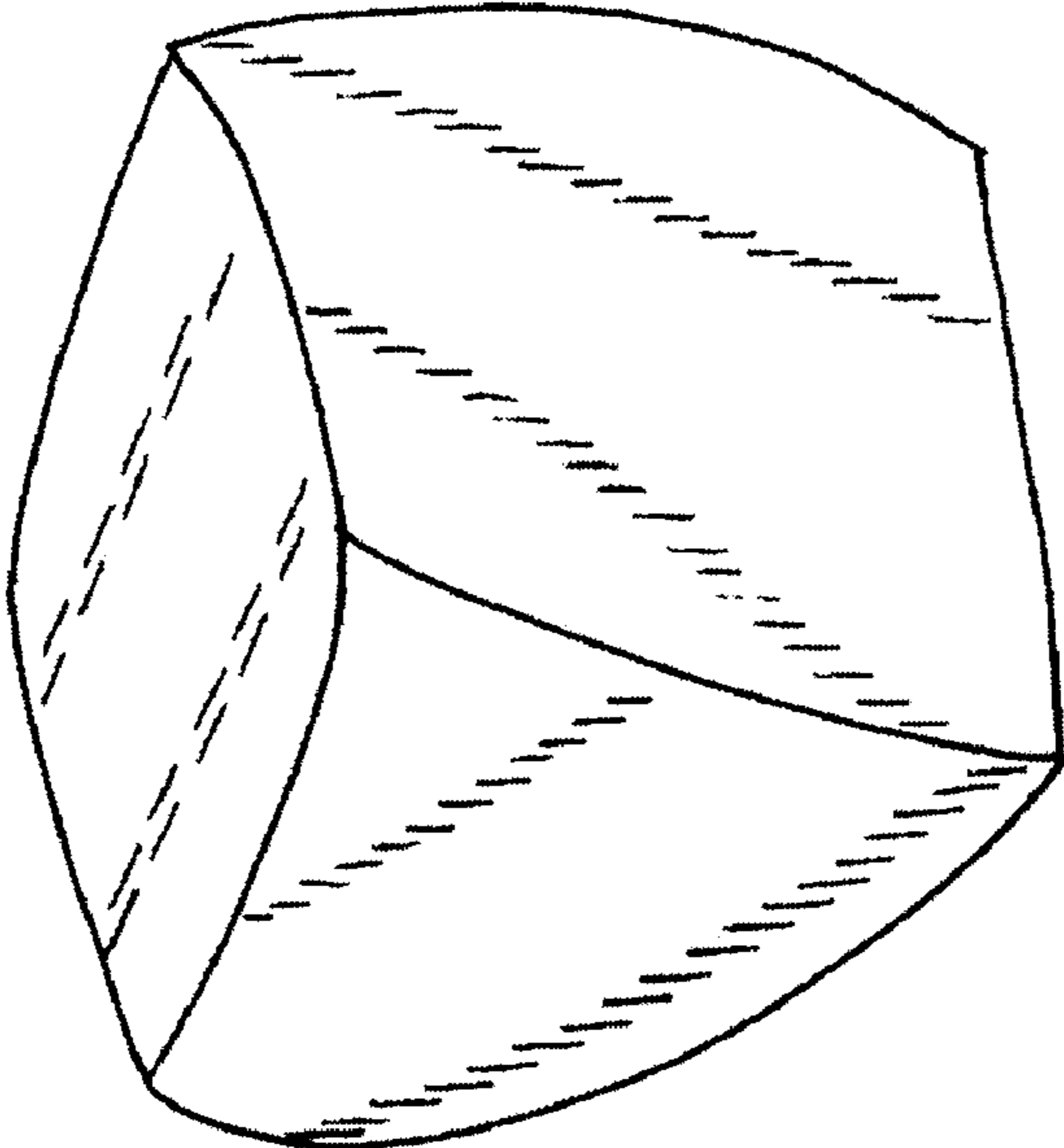


Fig. 1

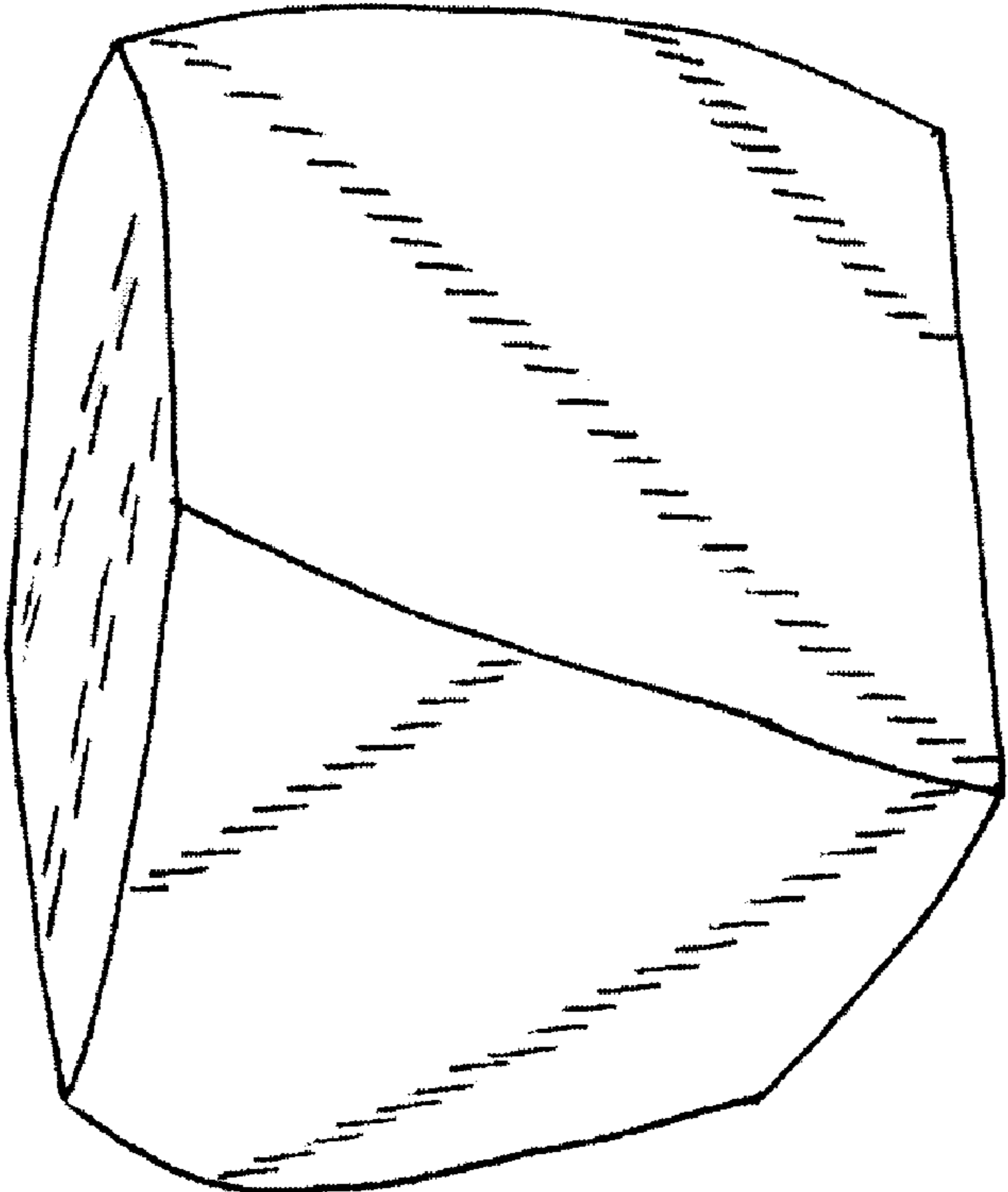


FIG. 2

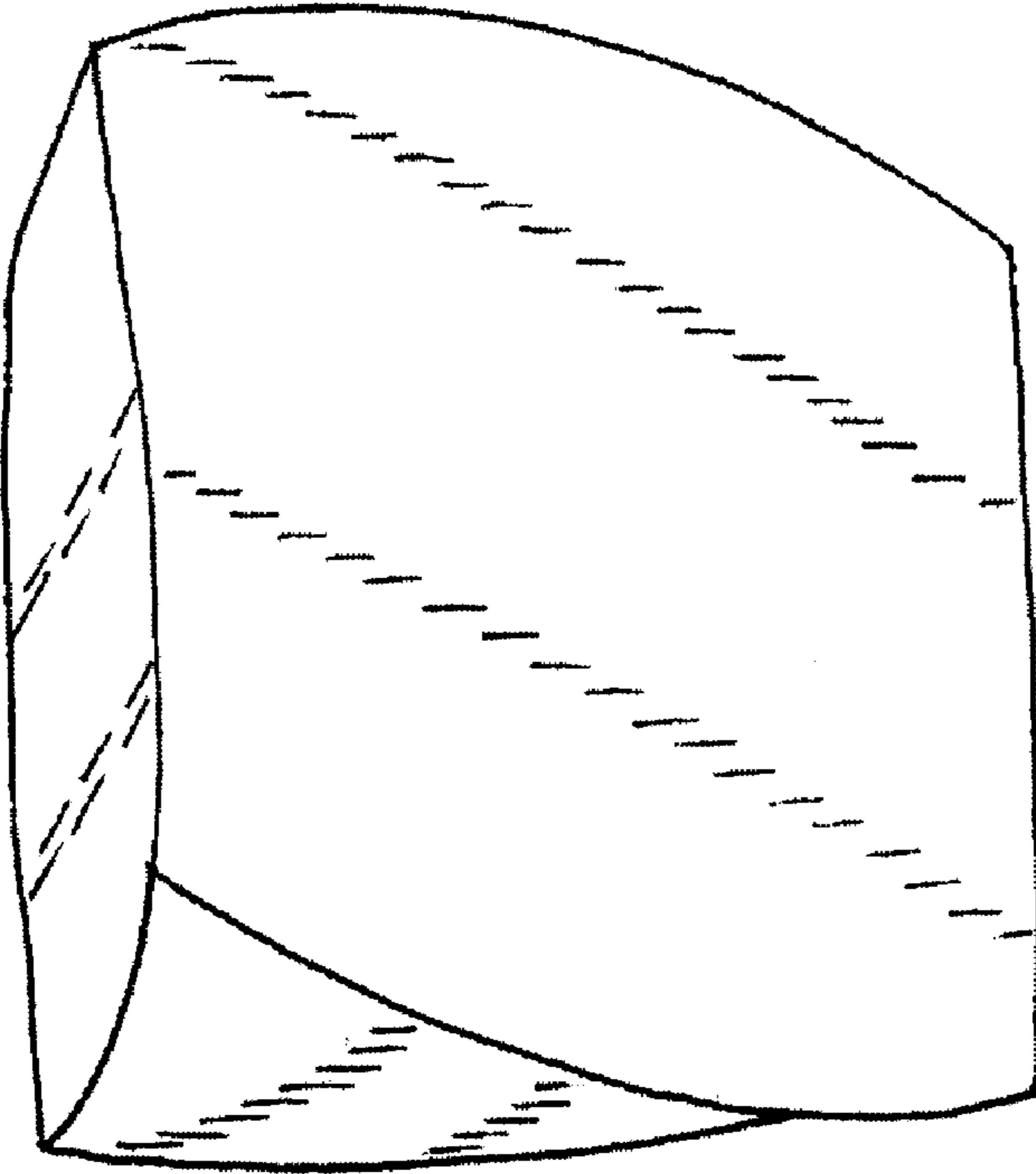


FIG. 3

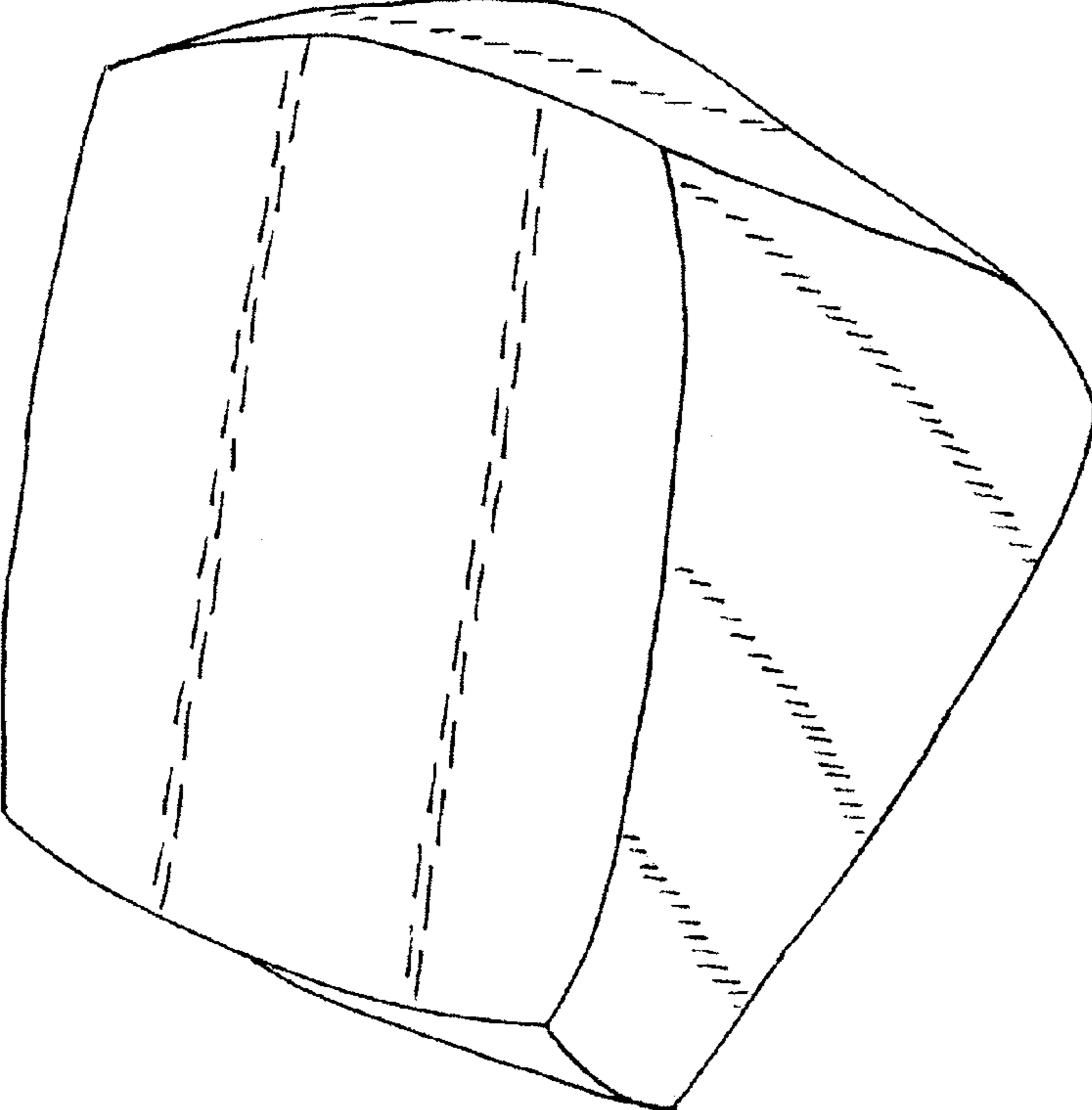


FIG. 4