



US00D530528S

(12) **United States Design Patent**
Van Erum et al.

(10) **Patent No.:** **US D530,528 S**
(45) **Date of Patent:** **** Oct. 24, 2006**

(54) **RECTANGULAR SCHOOL DESKS**

D226,066 S * 1/1973 Barecki D6/338
4,159,846 A * 7/1979 Tolleson 297/162

(75) Inventors: **Gert Van Erum**, Diest (BE); **Rudi Reynders**, Hasseit (BE)

(Continued)

(73) Assignee: **Vanerum N.V.**, Diest (BE)

Primary Examiner—Sandra S. Snapp
(74) *Attorney, Agent, or Firm*—Welsh & Katz, Ltd.

(**) Term: **14 Years**

(57) **CLAIM**

(21) Appl. No.: **29/225,612**

The ornamental design for rectangular school desks, as shown and described.

(22) Filed: **Mar. 18, 2005**

DESCRIPTION

(30) **Foreign Application Priority Data**

Sep. 21, 2004 (EM) 000230727-0003
Sep. 21, 2004 (EM) 000230727-0002

(51) **LOC (8) Cl.** **06-01**

(52) **U.S. Cl.** **D6/336**

(58) **Field of Classification Search** D6/334-339,
D6/349, 352, 364-366, 353, 369, 370, 495,
D6/500-502, 367, 368, 379, 480, 481, 483,
D6/484; 5/12.1; 297/445.1, 232, 446.1, 447.3,
297/448.1, 452.1, 118, 119, 122-126; 312/235.9;
108/11, 13, 15, 115

See application file for complete search history.

(56) **References Cited**

U.S. PATENT DOCUMENTS

D149,982 S * 6/1948 Sundberg D6/373
D150,685 S * 8/1948 Eames D6/374
D155,272 S * 9/1949 Eames D6/374
2,488,222 A * 11/1949 Morgan 312/235.9
D169,930 S * 6/1953 Chapman et al. D6/374
D169,931 S * 6/1953 Chapman et al. D6/374
D171,116 S * 12/1953 Adkinson D6/374
D177,295 S * 3/1956 Wright D6/374
D181,241 S * 10/1957 Swanson D6/374
D189,347 S * 11/1960 Chapman D6/375
D195,620 S * 7/1963 Chapman D6/374
D197,283 S * 1/1964 Williams D6/338
3,133,765 A * 5/1964 Kramer 297/446.1
D202,550 S * 10/1965 Kramer D6/375
3,276,818 A * 10/1966 Durfee 297/448.1
D206,721 S * 1/1967 Durfee D6/338

FIG. 1 is a perspective view from the front of a first embodiment of the rectangular school desks in accordance with the present invention;

FIG. 2 is a perspective view from the back of the desk of FIG. 1, looking toward a first side thereof;

FIG. 3 is a perspective view from the back of the desk of FIG. 1 looking toward a second side thereof;

FIG. 4 is a perspective view of the first side of the desk of FIG. 1;

FIG. 5 is a perspective view of the second side of the desk of FIG. 1;

FIG. 6 is a top plan view of the desk of FIG. 1;

FIG. 7 is a perspective view from the front of a second embodiment of the rectangular school desks in accordance with the present invention;

FIG. 8 is a perspective view of the desk of FIG. 7;

FIG. 9 is a perspective view taken from one side and from the back of the desk of FIG. 7;

FIG. 10 is a perspective view of the one side of the desk of FIG. 7;

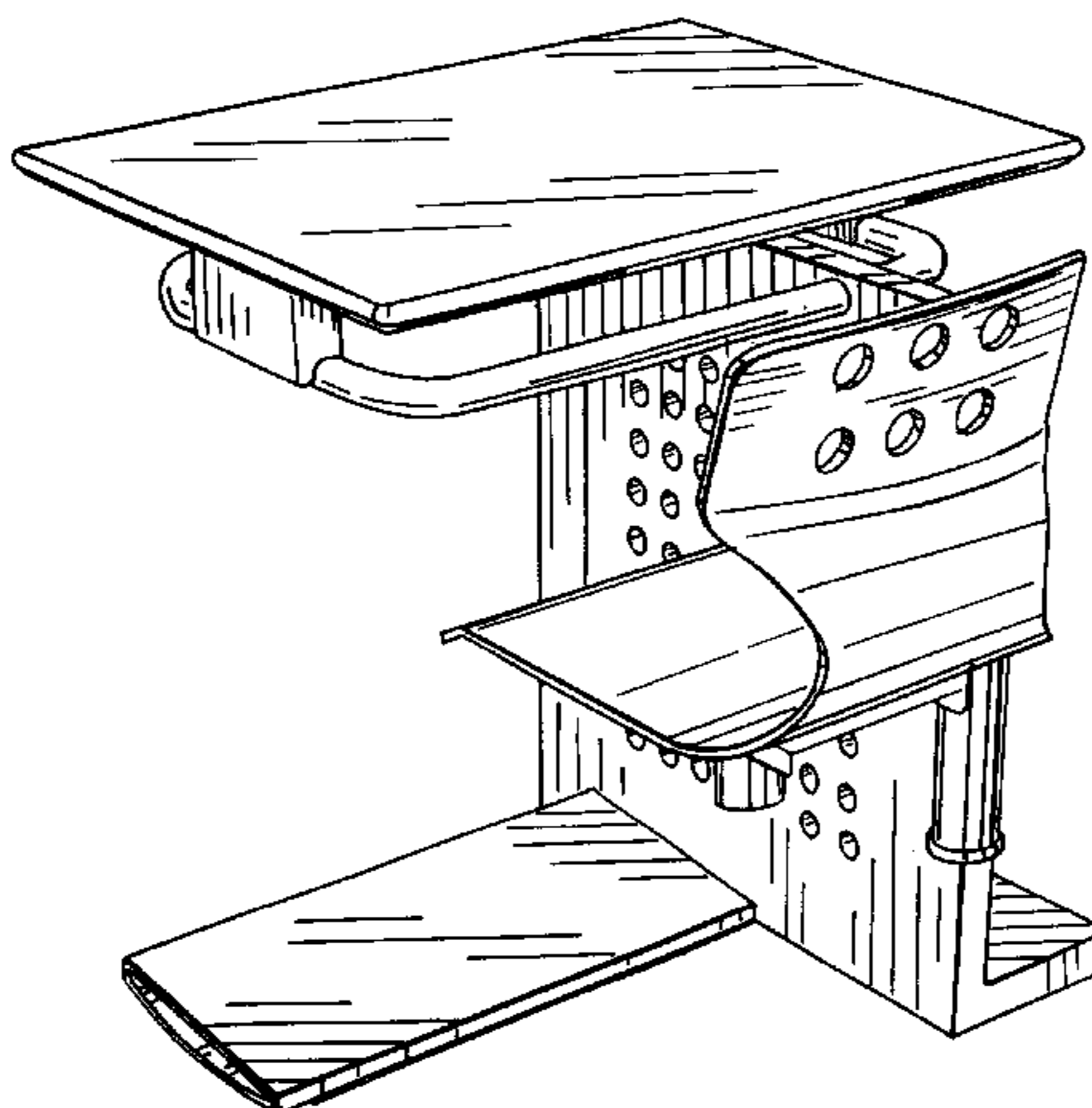
FIG. 11 is a perspective view of the other side of the desk of FIG. 7;

FIG. 12 is a perspective view from the back of the desk of FIG. 7; and,

FIG. 13 is a top plan view of the desk of FIG. 7.

The bottom views of the above-described two embodiments have not been illustrated. They are unadorned and not part of the design.

1 Claim, 7 Drawing Sheets



US D530,528 S

Page 2

U.S. PATENT DOCUMENTS

D333,044 S	*	2/1993	Caruso	D6/373	D475,207 S	*	6/2003	Bosman et al.	D6/338
D348,569 S	*	7/1994	Hausmann	D6/338	D503,559 S	*	4/2005	Glass et al.	D6/372
D360,083 S	*	7/1995	Lohmeyer	D6/375	D504,026 S	*	4/2005	Glass et al.	D6/366
D388,629 S	*	1/1998	Piretti	D6/380	D505,022 S	*	5/2005	Mills et al.	D6/338
D406,195 S	*	3/1999	Gamberini	D6/341	D507,890 S	*	8/2005	Mills et al.	D6/336
D425,321 S	*	5/2000	Tholkes et al.	D6/338	D507,893 S	*	8/2005	Glass et al.	D6/360
D469,969 S	*	2/2003	Glass et al.	D6/374	2003/0227210 A1	*	12/2003	Bosman et al.	297/446.2
D471,729 S	*	3/2003	Glass et al.	D6/375	2003/0230914 A1	*	12/2003	Bosman et al.	297/183.7

* cited by examiner

FIG. 1

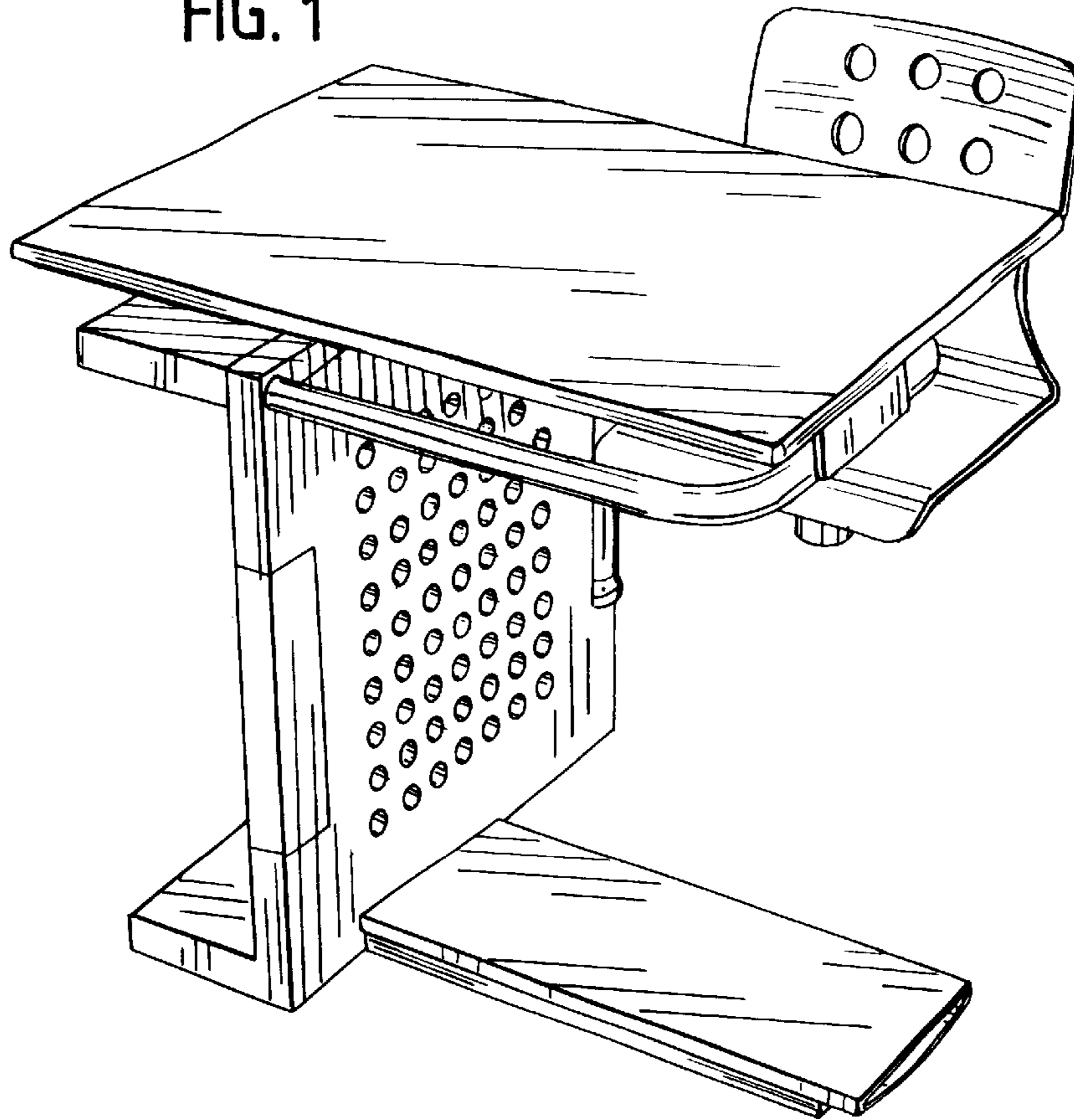


FIG. 2

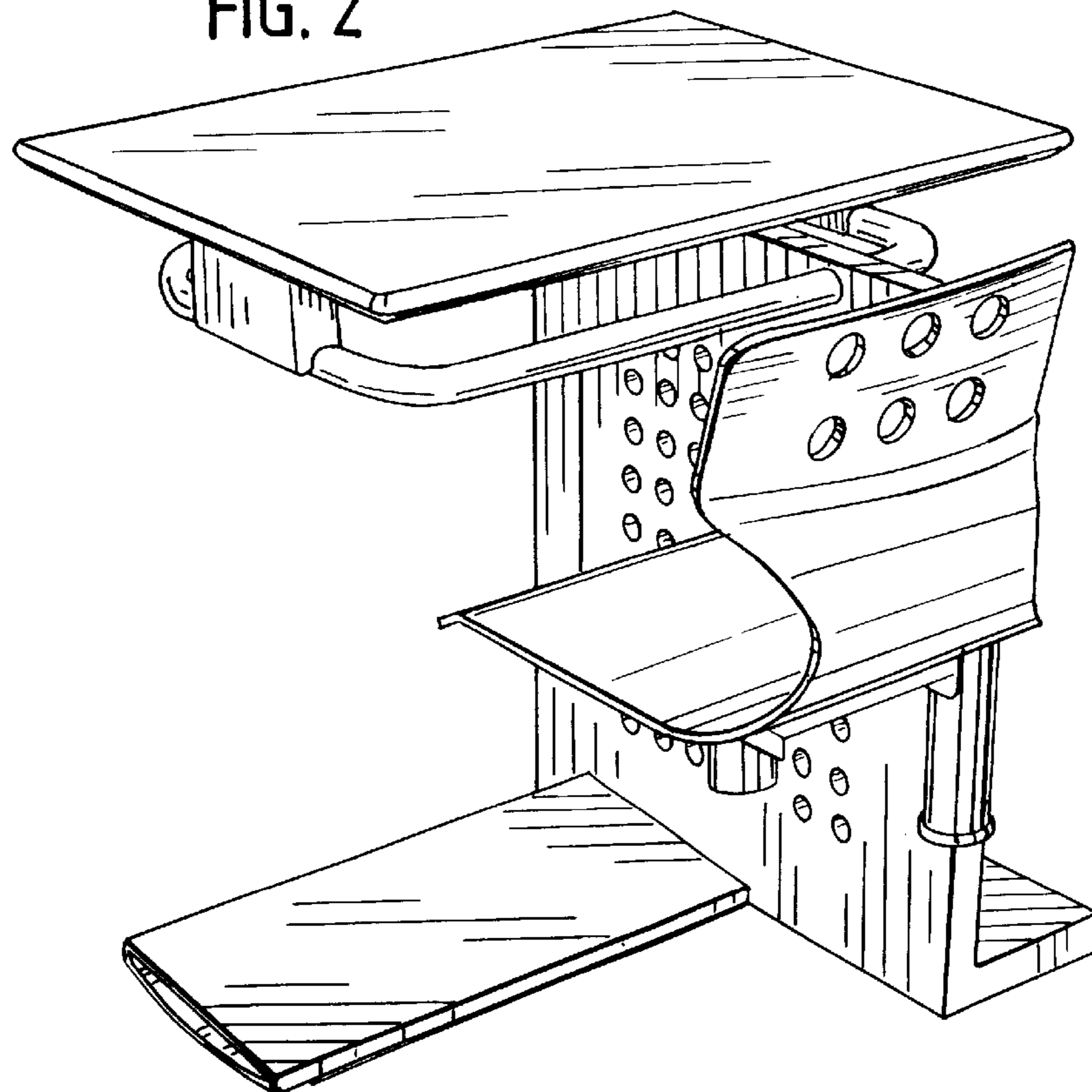


FIG. 3

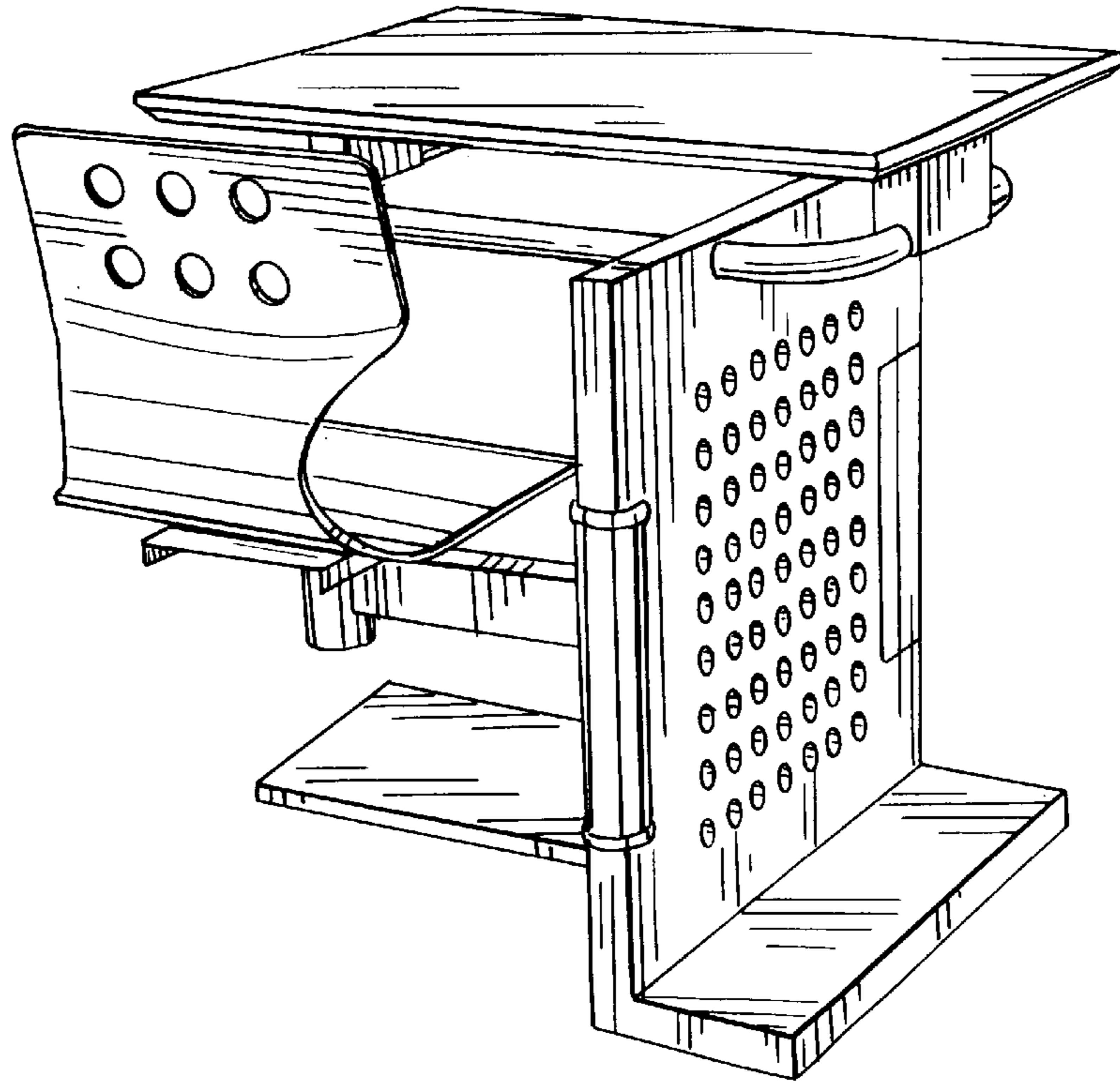


FIG. 4

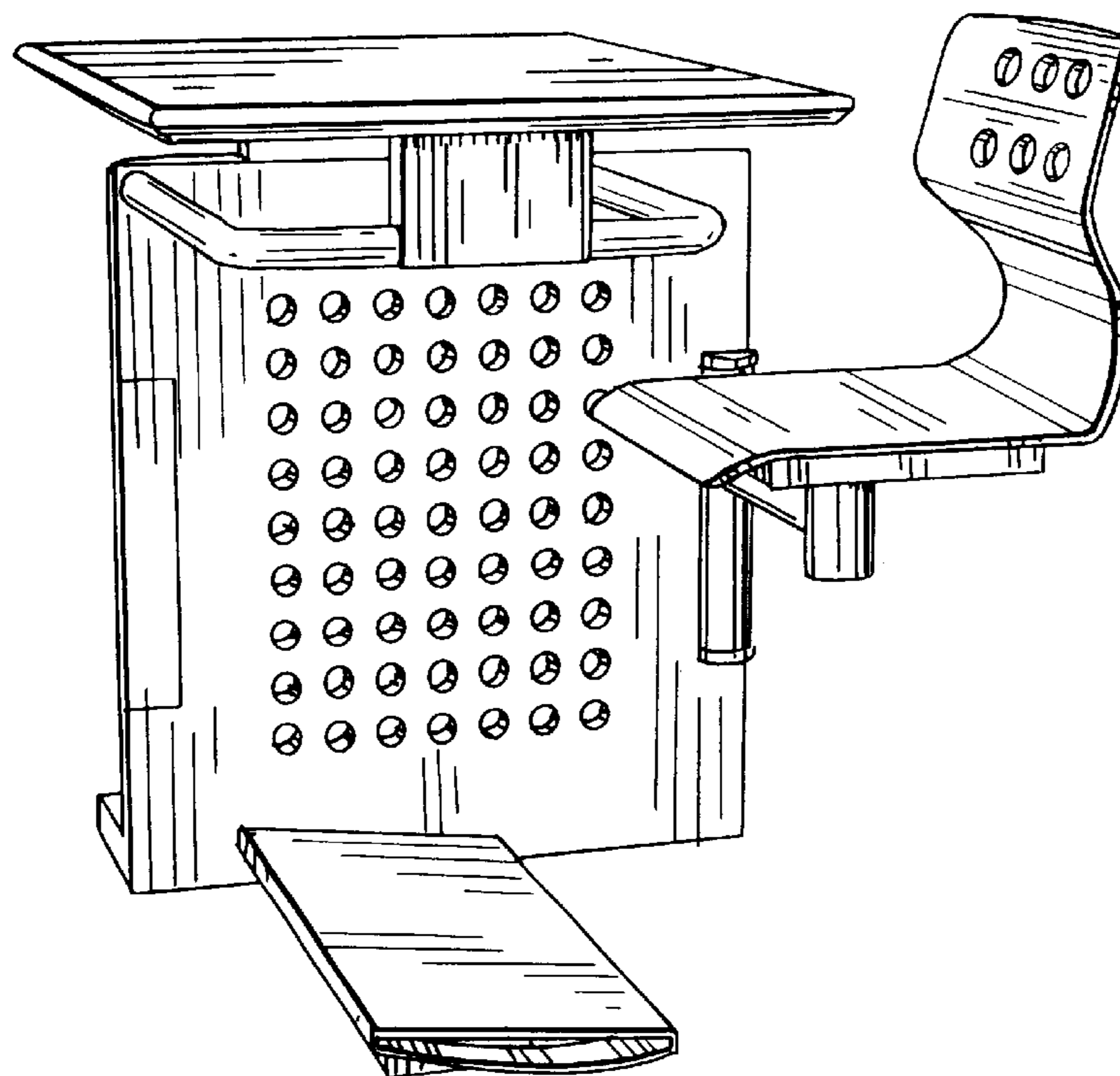


FIG. 5

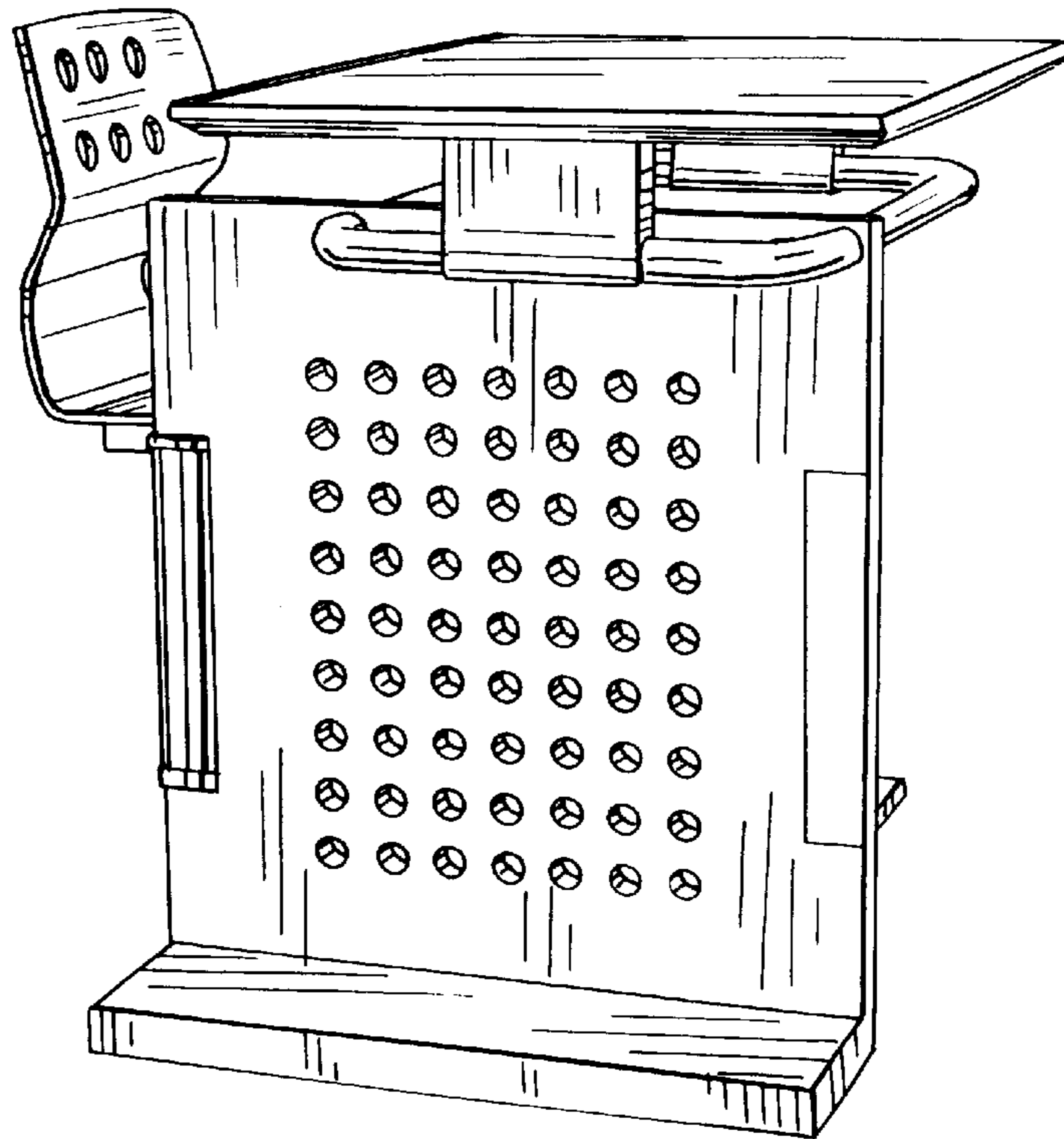


FIG. 6

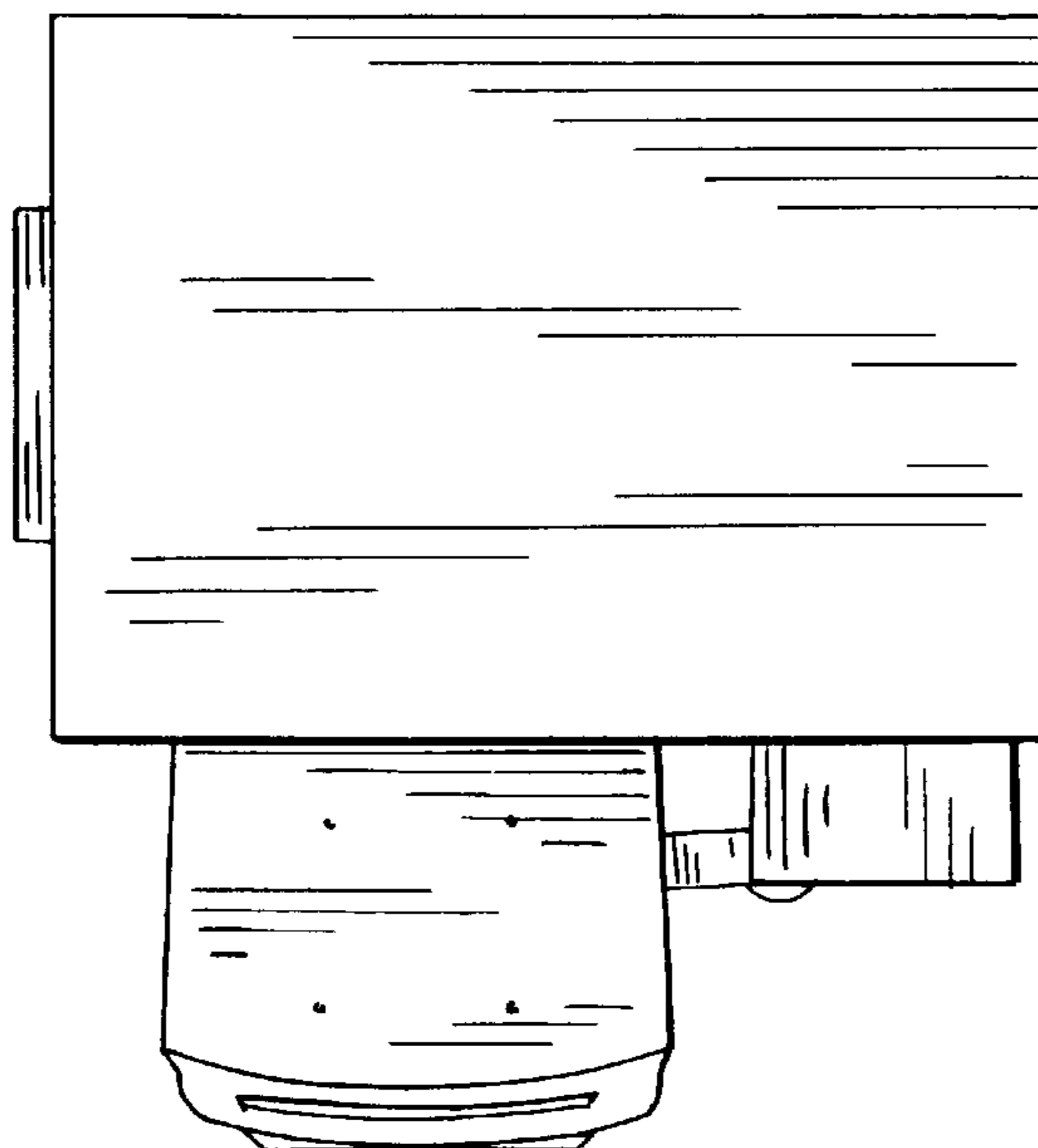


FIG. 7

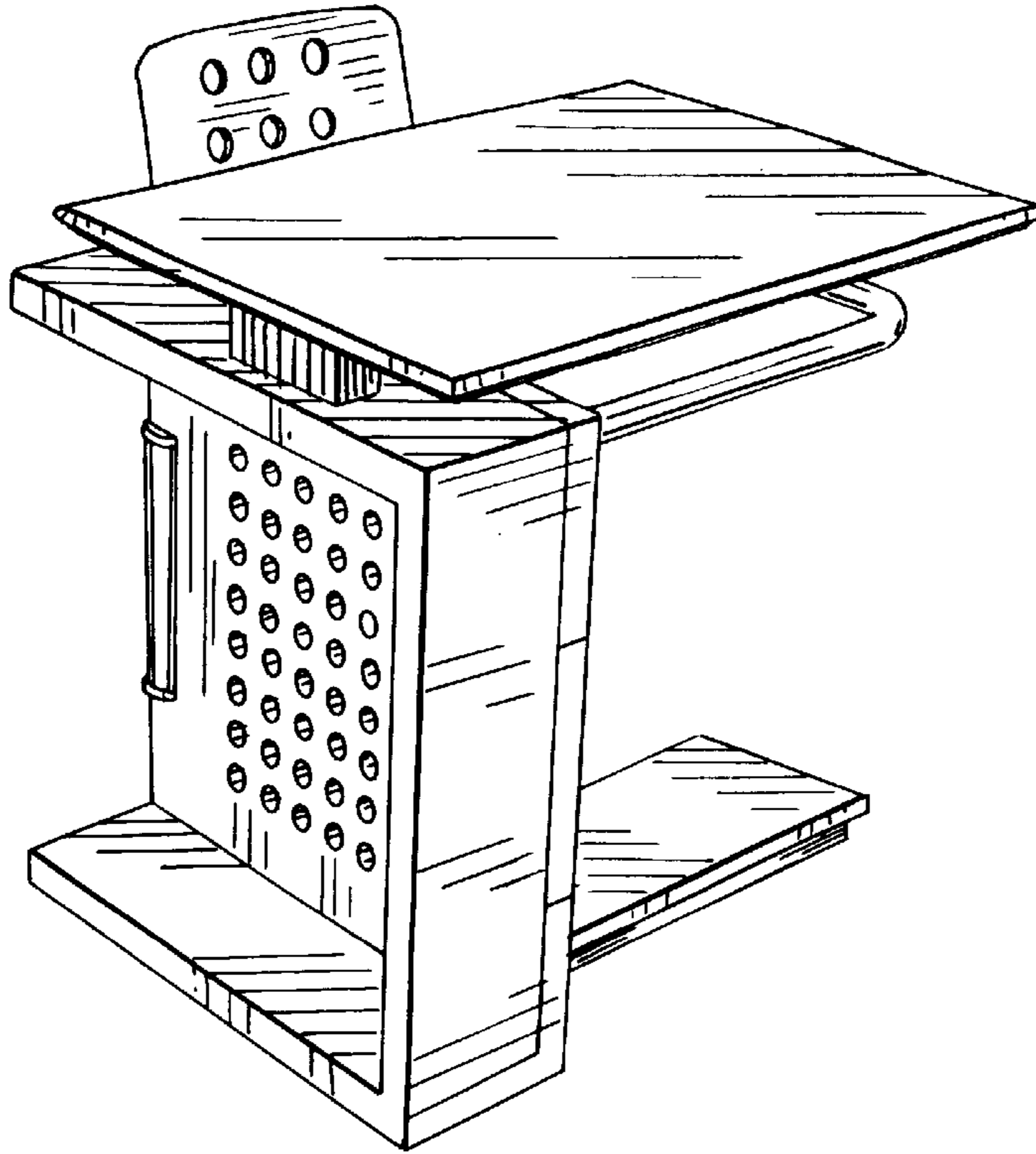


FIG. 8

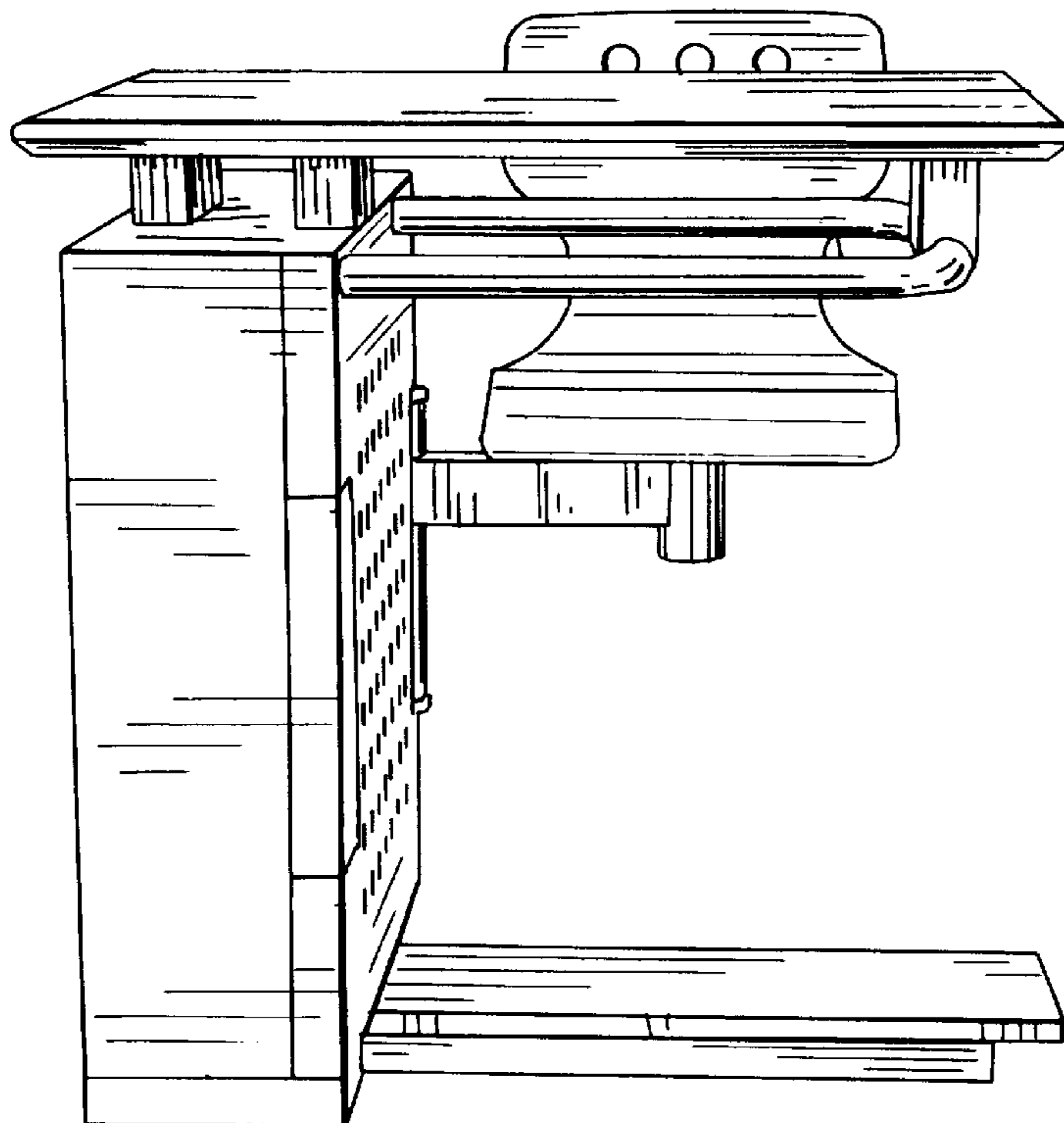


FIG. 9

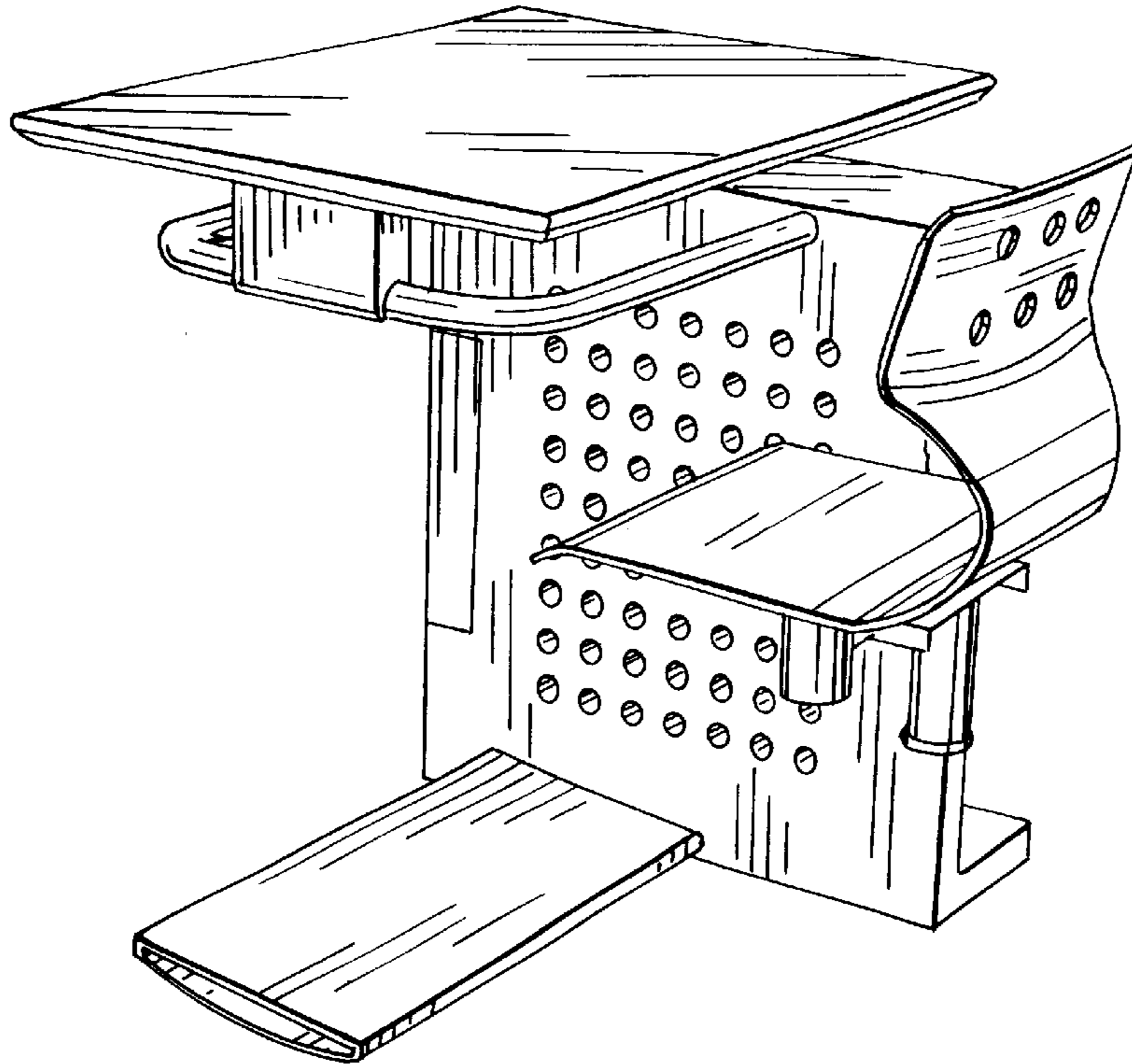


FIG. 10

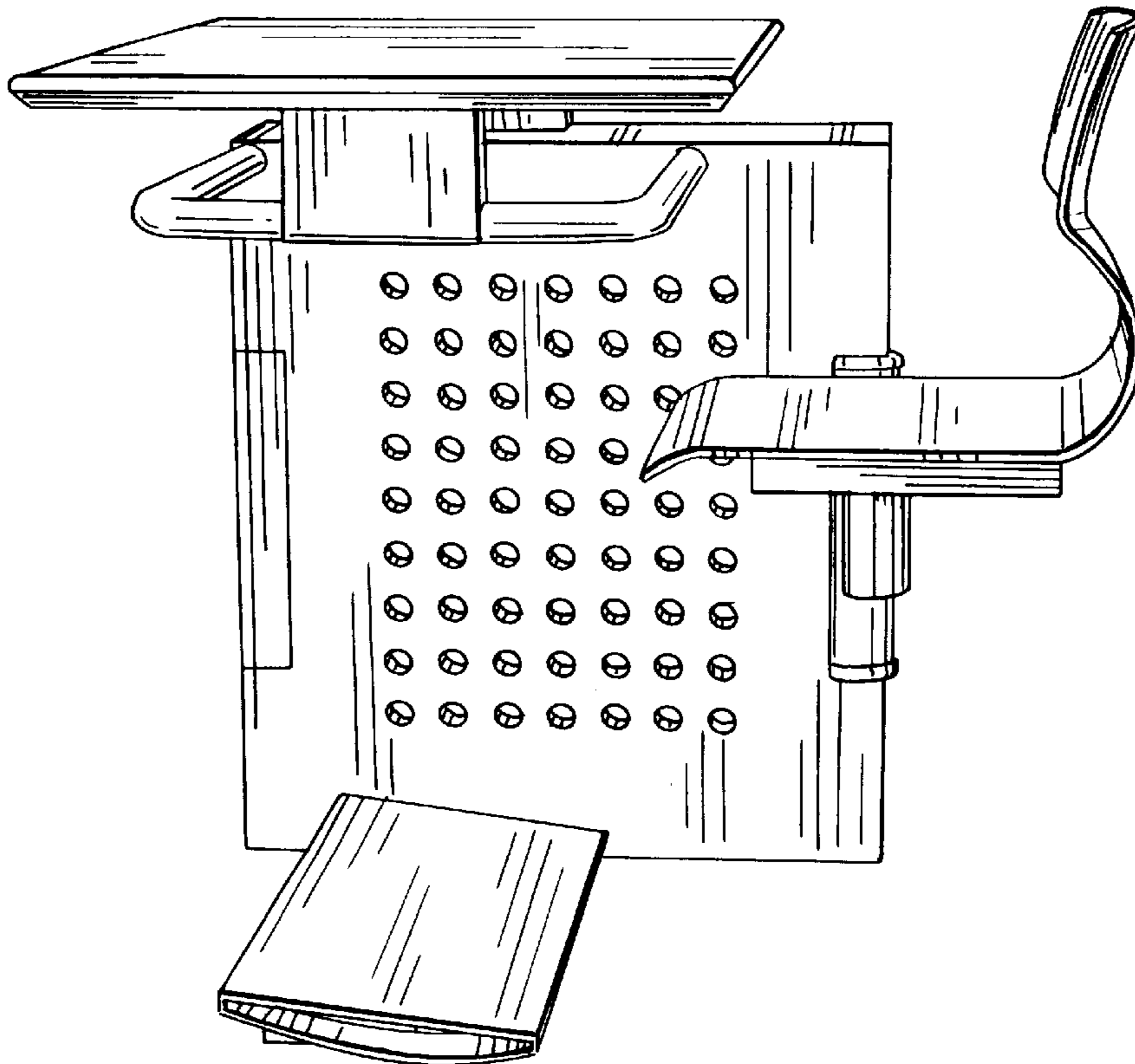


FIG. 11

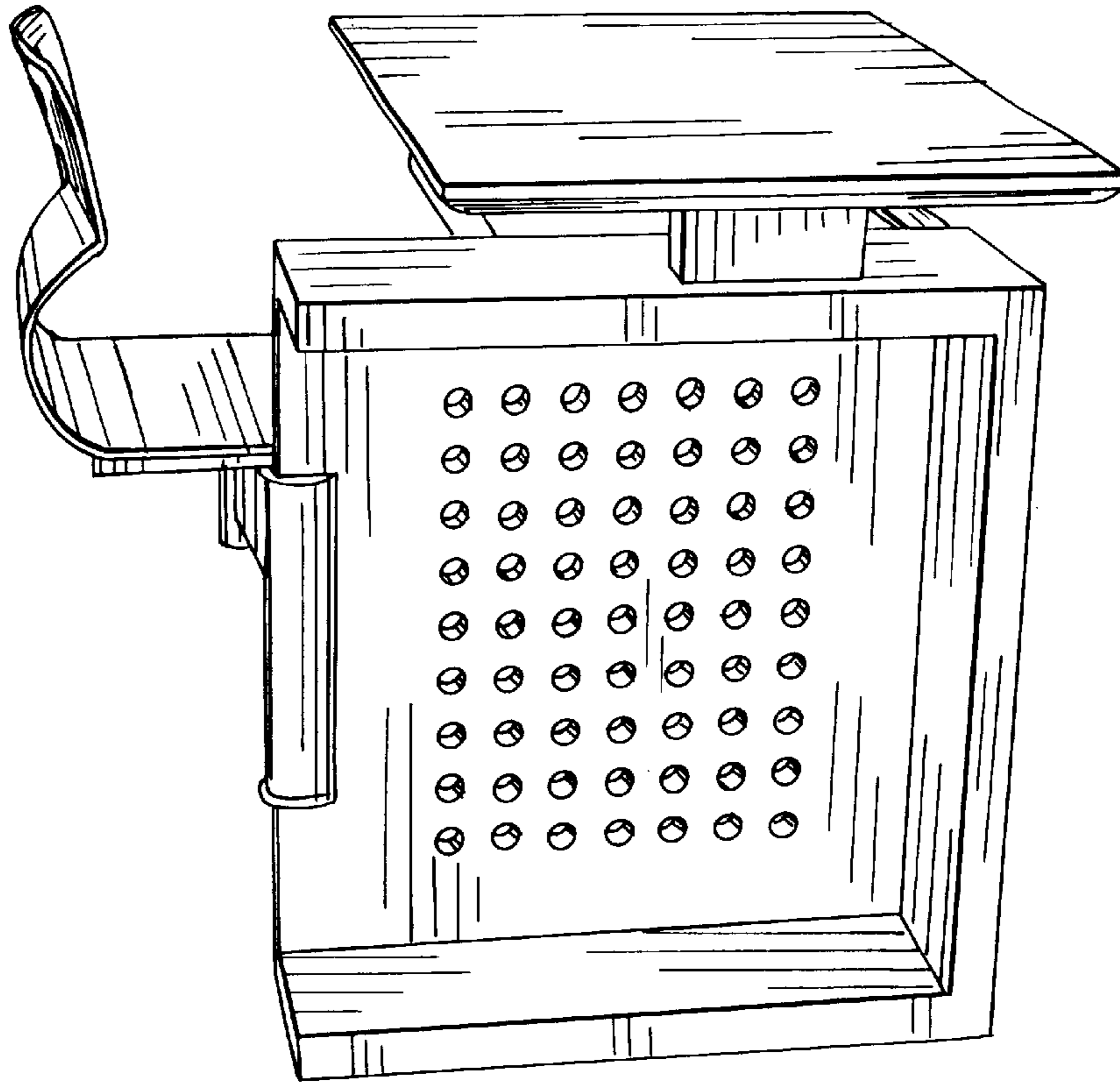


FIG. 12

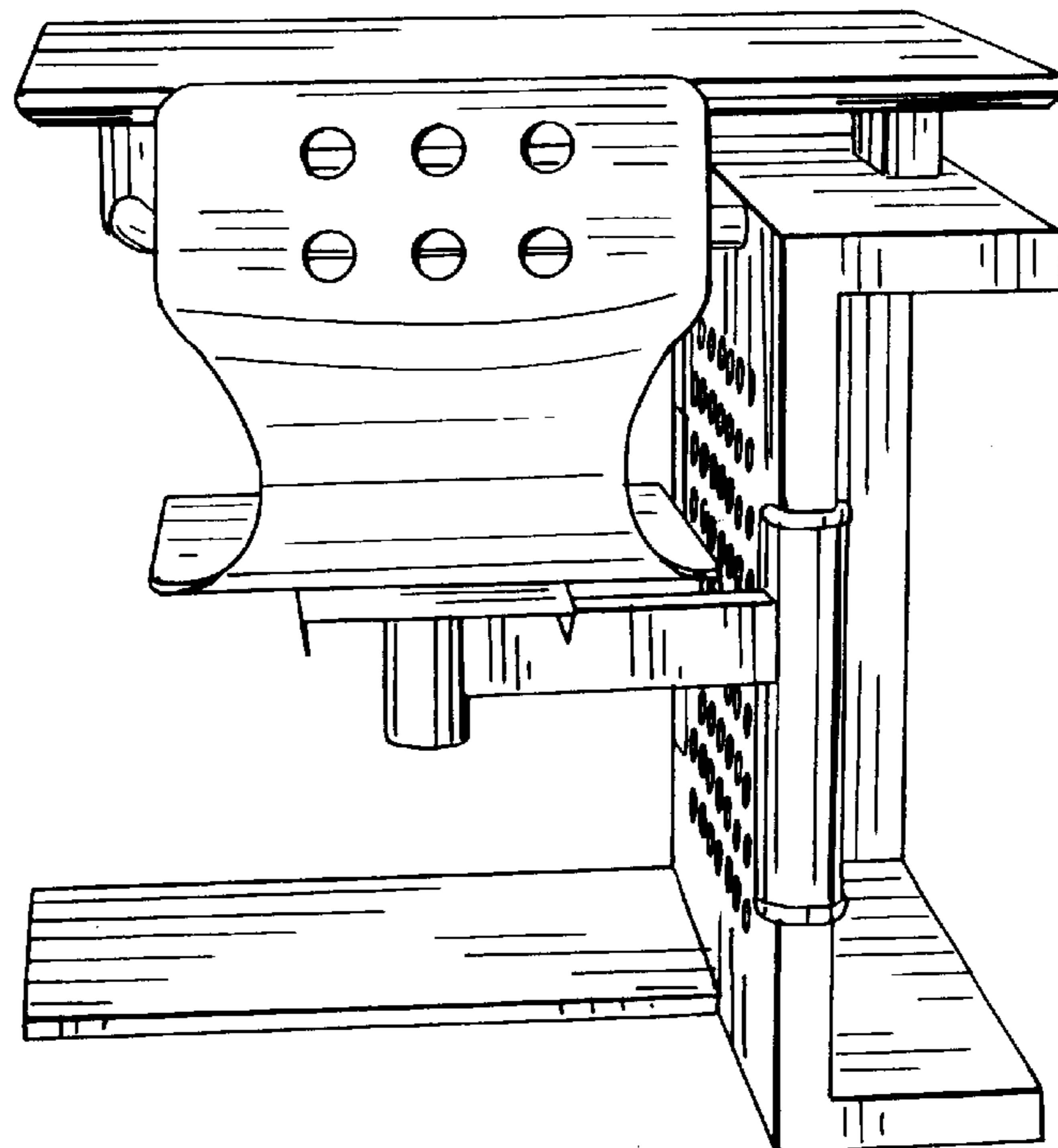


FIG. 13

