



US00D530526S

(12) **United States Design Patent**
Yau

(10) **Patent No.:** **US D530,526 S**

(45) **Date of Patent:** **** Oct. 24, 2006**

(54) **ACCESSORY HANGER**

(76) **Inventor:** **Wai Shing Yau**, 179-181, 1/F, Block 2,
Yip On Fty. Bldg., Wang Hoi Road,
Kowloon Bay, Kowloon (HK)

(**) **Term:** **14 Years**

(21) **Appl. No.:** **29/252,056**

(22) **Filed:** **Jan. 18, 2006**

(51) **LOC (8) Cl.** **06-08**

(52) **U.S. Cl.** **D6/328**

(58) **Field of Classification Search** D6/315,
D6/318, 319, 324, 328; 223/85-98, DIG. 2,
223/DIG. 4; 211/13.1, 85.3

See application file for complete search history.

4,231,500 A	11/1980	Mainetti	
D259,087 S	5/1981	Mainetti	
D259,164 S	* 5/1981	Abramowitz D6/315
4,295,585 A	10/1981	Garrison	
D264,789 S	* 6/1982	Zyla et al. D6/315
D267,920 S	2/1983	Batts et al.	
D267,921 S	2/1983	Batts	
4,381,599 A	5/1983	Duester et al.	
4,395,799 A	8/1983	Batts	
D271,649 S	12/1983	Batts et al.	
D272,502 S	2/1984	Batts et al.	
D273,072 S	3/1984	Batts et al.	
D273,073 S	3/1984	Batts et al.	
4,446,996 A	5/1984	Garrison	
4,450,639 A	5/1984	Duester	
D281,470 S	11/1985	Batts	
4,556,158 A	12/1985	Blanchard et al.	
4,565,309 A	1/1986	Batts et al.	
D283,854 S	5/1986	Marshall	
D284,427 S	7/1986	Bredeweg	
4,600,132 A	7/1986	Blanchard	

(56) **References Cited**

(Continued)

U.S. PATENT DOCUMENTS

D181,237 S	* 10/1957	Spielman D6/324
D193,256 S	* 7/1962	Silver D6/315
3,946,915 A	3/1976	Crane	
3,987,898 A	10/1976	Crane	
3,991,884 A	11/1976	DeMaagd et al.	
4,007,861 A	2/1977	Duester et al.	
4,017,990 A	4/1977	Garrison	
4,023,762 A	5/1977	Batts et al.	
4,034,865 A	7/1977	Batts et al.	
4,034,903 A	7/1977	Batts	
4,046,293 A	9/1977	Garrison	
D246,817 S	1/1978	Mainetti	
4,071,146 A	1/1978	Batts	
D247,150 S	2/1978	Duester	
4,073,457 A	2/1978	Batts et al.	
4,101,059 A	7/1978	Batts et al.	
D249,619 S	9/1978	Wolff	
4,115,940 A	9/1978	Phillips	
4,123,864 A	11/1978	Batts et al.	
4,157,782 A	6/1979	Mainetti	
D253,081 S	10/1979	Mainetti	
4,177,908 A	12/1979	Batts et al.	
4,187,967 A	2/1980	Garrison	
4,192,441 A	3/1980	Batts	
4,194,274 A	3/1980	Garrison	
D254,644 S	* 4/1980	Abramowitz D6/315
4,198,773 A	4/1980	Batts et al.	

Primary Examiner—Nanda Bondade
Assistant Examiner—Shanda C. Hill
(74) *Attorney, Agent, or Firm*—Baker & McKenzie LLP

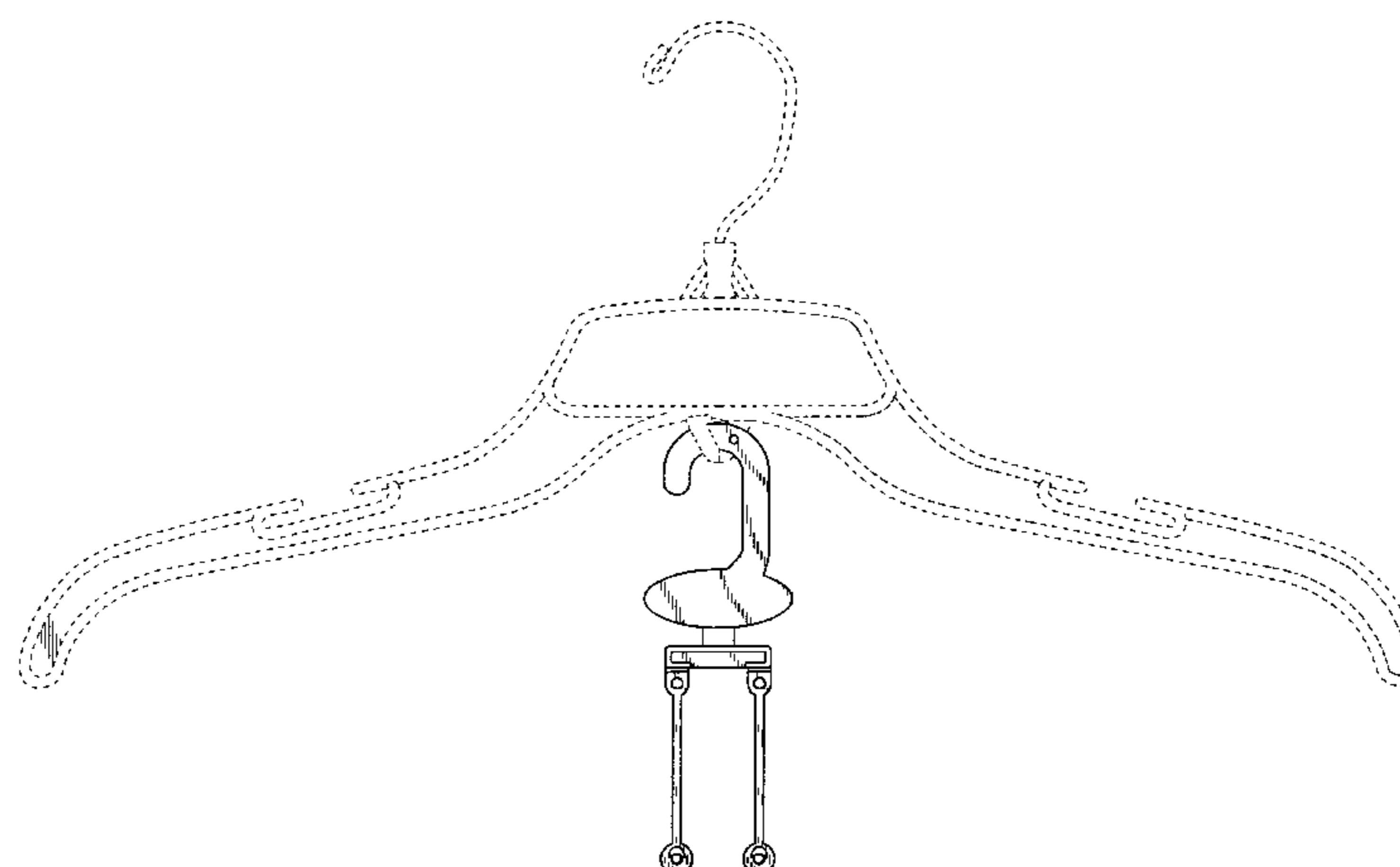
(57) **CLAIM**

The ornamental design for an accessory hanger, as shown and described.

DESCRIPTION

FIG. 1 is a front elevational view of an accessory hanger showing my new design, shown in a preferred environment;
FIG. 2 is a rear elevational view thereof;
FIG. 3 is a left side elevational view thereof;
FIG. 4 is a front elevational view thereof;
FIG. 5 is a right side elevational view thereof;
FIG. 6 is a bottom plan view thereof;
FIG. 7 is a top plan view thereof; and,
FIG. 8 is a perspective view thereof.
The broken lines shown in the drawing disclosure are for illustrative purposes only and form no part of the claimed design.

1 Claim, 3 Drawing Sheets



US D530,526 S

U.S. PATENT DOCUMENTS					
D286,584 S	11/1986	Blanchard	5,183,191 A	2/1993	Garrison et al.
D286,585 S	11/1986	Blanchard	D334,096 S	3/1993	Blanchard
4,638,930 A	1/1987	Blanchard	D334,846 S	4/1993	Blanchard
4,653,678 A	3/1987	Blanchard et al.	D335,581 S	5/1993	Gouldson
4,660,739 A	4/1987	Dooley et al.	5,212,854 A	5/1993	Hollis
4,660,750 A	4/1987	Blanchard	D337,893 S	8/1993	Norman
4,729,498 A	3/1988	Blanchard	D340,138 S	10/1993	Gouldson
4,739,912 A	4/1988	Klawieter et al.	D341,947 S	12/1993	Marshall et al.
4,744,496 A	5/1988	Blanchard et al.	5,272,806 A	12/1993	Marshall et al.
4,746,039 A	5/1988	Batts et al.	5,285,566 A	2/1994	Marshall et al.
D296,046 S	6/1988	Marshall	5,306,055 A	4/1994	Mainetti
D296,729 S	7/1988	Blanchard	D348,987 S	7/1994	Gouldson et al.
4,759,480 A	7/1988	Duester et al.	D350,236 S	9/1994	Gouldson et al.
D297,286 S	8/1988	Blanchard	5,350,092 A	9/1994	Hollis
4,762,238 A	8/1988	Blanchard	D352,834 S	11/1994	Norman
D298,387 S	11/1988	Duester	5,361,948 A	11/1994	Batts
D298,783 S	12/1988	Blanchard	5,388,354 A	2/1995	Marshall et al.
D299,086 S	12/1988	Wilson	5,398,854 A	3/1995	Blanchard
4,793,531 A	12/1988	Blanchard et al.	5,400,932 A	3/1995	Hollis
D299,593 S	1/1989	Blanchard	5,411,189 A	5/1995	Gouldson
4,807,334 A	2/1989	Blanchard	D358,942 S	6/1995	Blanchard et al.
4,826,056 A	5/1989	Duester et al.	D360,533 S	* 7/1995	Williams D6/315
D301,661 S	6/1989	Wilson	5,441,182 A	8/1995	Sullivan
D301,806 S	6/1989	Wilson	5,449,099 A	9/1995	Blanchard
D301,808 S	6/1989	Marshall	5,469,995 A	11/1995	Bredeweg et al.
D301,942 S	7/1989	Talbot-Titley	5,477,995 A	12/1995	Dooley et al.
D301,943 S	7/1989	Wilson	D365,690 S	* 1/1996	Charlet D6/315
D302,214 S	7/1989	Wilson	D366,366 S	* 1/1996	Restaino D6/315
D303,324 S	9/1989	Wilson	D368,376 S	4/1996	Gouldson et al.
D303,325 S	9/1989	Marshall	D368,590 S	* 4/1996	Charlet D6/315
4,871,097 A	10/1989	Blanchard et al.	5,507,086 A	4/1996	Marshall et al.
4,871,098 A	10/1989	Bredeweg et al.	5,509,587 A	4/1996	Gouldson et al.
4,881,836 A	11/1989	Blanchard	5,516,013 A	5/1996	Gouldson et al.
4,884,727 A	12/1989	Blanchard	5,516,014 A	5/1996	Garrison
4,886,195 A	12/1989	Blanchard	5,524,801 A	6/1996	Dooley et al.
4,889,265 A	12/1989	Morgan	D371,246 S	7/1996	Gouldson et al.
4,892,237 A	1/1990	Duester et al.	5,535,927 A	7/1996	Garrison
D305,834 S	2/1990	DeVito	5,558,280 A	9/1996	Morgan
D305,835 S	2/1990	DeVito	5,568,685 A	10/1996	Marshall et al.
4,901,894 A	2/1990	Blanchard	D375,208 S	11/1996	Gouldson
D307,982 S	5/1990	Duester	D376,263 S	12/1996	Gouldson
4,932,571 A	6/1990	Blanchard	5,584,421 A	12/1996	Blanchard et al.
4,940,244 A	7/1990	Batts, III	D377,717 S	2/1997	Gouldson
4,967,500 A	11/1990	Bredeweg	D377,868 S	* 2/1997	Charlet D6/315
D316,334 S	4/1991	Duester	5,604,975 A	2/1997	Marshall et al.
5,020,705 A	6/1991	Garrison	5,613,630 A	3/1997	Isenga et al.
5,022,571 A	6/1991	Blanchard	5,628,132 A	5/1997	Marshall et al.
D318,378 S	* 7/1991	Baekgaard, Sr. D6/315	5,683,018 A	11/1997	Sullivan et al.
5,029,739 A	7/1991	Blanchard et al.	D388,620 S	1/1998	Gouldson et al.
D319,737 S	* 9/1991	Hasslocher D6/315	D388,964 S	1/1998	Gouldson
5,052,600 A	10/1991	Elchisak et al.	D390,015 S	2/1998	Gouldson
5,054,666 A	10/1991	Blanchard	D392,113 S	3/1998	Gouldson
5,056,248 A	10/1991	Blanchard	D394,754 S	6/1998	Gouldson
5,069,373 A	12/1991	Kolton et al.	D396,353 S	7/1998	Gouldson
5,071,045 A	12/1991	Hollis	5,775,553 A	7/1998	Marshall et al.
5,074,447 A	12/1991	Kolton et al.	5,775,575 A	7/1998	Dorman et al.
5,082,153 A	1/1992	Duester et al.	5,785,216 A	7/1998	Gouldson et al.
D323,749 S	2/1992	Blanchard et al.	5,785,260 A	7/1998	Morgan
D324,313 S	3/1992	Kolton et al.	5,794,363 A	8/1998	Marshall et al.
D324,459 S	3/1992	Gouldson et al.	5,803,321 A	9/1998	Willinger et al.
5,092,502 A	3/1992	Kolton et al.	5,814,252 A	9/1998	Gouldson et al.
5,096,101 A	3/1992	Norman et al.	D400,718 S	11/1998	Bortolus
D325,822 S	5/1992	Hollis	5,857,276 A	1/1999	Marshall et al.
D328,194 S	7/1992	Garrison	D405,964 S	2/1999	Willinger
5,129,557 A	7/1992	Kolton et al.	5,884,422 A	3/1999	Marshall et al.
5,135,141 A	8/1992	Harmer et al.	5,894,923 A	4/1999	Hamstra et al.
5,137,191 A	8/1992	Blanchard et al.	D409,006 S	5/1999	Blanchard
D329,754 S	9/1992	Gouldson et al.	D409,400 S	5/1999	Peruzzo
D329,755 S	9/1992	Gouldson	D409,846 S	5/1999	Blanchard
5,155,881 A	10/1992	Lafferty	D410,793 S	6/1999	Gouldson
D331,869 S	12/1992	Batts et al.	5,915,605 A	6/1999	Blanchard
5,170,916 A	12/1992	Kolton et al.	5,934,525 A	8/1999	Blanchard
D332,180 S	1/1993	Marshall et al.	5,944,237 A	8/1999	Gouldson
D332,233 S	1/1993	Batts	D413,446 S	9/1999	Gouldson
			D414,044 S	9/1999	Choi et al.
			5,950,885 A	9/1999	Morgan

US D530,526 S

D414,946 S	10/1999	Gouldson	6,499,634 B1	12/2002	Olk et al.
D415,357 S	10/1999	Blanchard	D469,964 S	2/2003	Gouldson
5,992,714 A	11/1999	Morgan	6,516,980 B1	2/2003	Goldman
5,996,862 A	12/1999	Peruzzo et al.	6,523,240 B1	2/2003	Gouldson
D418,311 S	1/2000	Gouldson	D472,394 S	4/2003	Hawkins
6,019,260 A	2/2000	Gouldson	6,564,980 B1	5/2003	Gouldson et al.
6,019,261 A	2/2000	Morgan et al.	6,588,634 B1	7/2003	Gouldson et al.
6,023,819 A	2/2000	Wong et al.	6,609,640 B1	8/2003	Bokmiller
6,029,868 A	2/2000	Willinger et al.	6,609,641 B1	8/2003	Sutton
6,041,983 A	3/2000	Sullivan et al.	6,612,000 B1	9/2003	Housley
6,041,984 A	3/2000	Gouldson	6,675,997 B1	1/2004	Gouldson et al.
D423,234 S	4/2000	Gouldson	6,681,966 B1	1/2004	Gouldson et al.
6,050,461 A	4/2000	Batts et al.	6,705,496 B1	3/2004	Marshall et al.
6,055,350 A	4/2000	Brown et al.	6,711,808 B1	3/2004	Sollanek et al.
D423,797 S	5/2000	Gouldson	6,715,650 B1	4/2004	Gouldson
D424,817 S	5/2000	Morgan et al.	6,743,323 B1	6/2004	Mainetti
6,076,863 A	6/2000	Platt Brown et al.	6,758,379 B1	7/2004	Elwell
6,085,950 A	7/2000	Gouldson et al.	6,772,923 B1	8/2004	Olk et al.
D429,898 S	8/2000	Morgan et al.	D498,935 S	11/2004	Gouldson
6,098,254 A	8/2000	Willinger	D498,936 S	11/2004	Gouldson
6,105,834 A	8/2000	Cohen	D500,412 S	1/2005	Gouldson
6,105,836 A	8/2000	Batts et al.	D501,092 S	1/2005	Mainetti
RE36,873 E	9/2000	Gouldson et al.	D502,009 S	2/2005	Gouldson
6,128,932 A	10/2000	Mainetti et al.	D502,011 S	2/2005	Gouldson
D435,173 S	12/2000	Morgan et al.	D502,328 S	3/2005	Gouldson
6,158,635 A	12/2000	Batts	D502,606 S	3/2005	Gouldson
D435,973 S	1/2001	Gouldson	D502,651 S	3/2005	Gouldson
D436,743 S	1/2001	Batts et al.	D503,287 S	3/2005	Gouldson
6,173,872 B1	1/2001	Cohen	6,865,832 B1	3/2005	Goldman
6,189,746 B1	2/2001	Gouldson	6,871,765 B1	3/2005	Mainetti
6,196,430 B1	3/2001	Gouldson	D504,024 S	4/2005	Mainetti
6,199,728 B1	3/2001	Cohen	6,874,666 B1	4/2005	Gouldson et al.
D439,751 S	4/2001	Gouldson	6,875,392 B1	4/2005	Olk et al.
D440,409 S	4/2001	Blanchard	6,892,910 B1	5/2005	Capuano et al.
D440,410 S	4/2001	Gouldson	D506,077 S	6/2005	Pluchino et al.
D441,550 S	5/2001	Gouldson	D506,320 S	6/2005	Gouldson
6,241,133 B1	6/2001	Morgan et al.	D506,619 S	6/2005	Mainetti
6,260,745 B1	7/2001	Gouldson et al.	D507,418 S	7/2005	Mainetti
6,264,075 B1	7/2001	Gouldson et al.	D507,419 S	7/2005	Gouldson
D447,878 S	9/2001	Hawkins	6,915,931 B1	7/2005	Gouldson et al.
6,289,569 B1	9/2001	Marshall et al.	6,923,350 B1	8/2005	Gouldson et al.
D449,743 S	10/2001	Morgan	6,926,180 B1	8/2005	Mainetti
6,305,586 B1	10/2001	Wong	D511,049 S	11/2005	Gouldson
6,306,329 B1	10/2001	Willinger	D512,571 S	12/2005	Gouldson et al.
6,308,872 B1	10/2001	Duerr et al.	2001/0011663 A1	8/2001	Olk et al.
D450,463 S	11/2001	Wong et al.	2001/0016994 A1	8/2001	Gouldson et al.
D450,464 S	11/2001	Olk et al.	2001/0019070 A1	9/2001	Gouldson et al.
D451,291 S	12/2001	Hawkins	2002/0056734 A1	5/2002	Olk et al.
D453,423 S	2/2002	Goldman et al.	2002/0070251 A1	6/2002	Gouldson et al.
D454,006 S	3/2002	Gouldson	2002/0190090 A1	12/2002	Gouldson et al.
D454,435 S	3/2002	Willinger	2003/0126725 A1	7/2003	Housley
6,357,638 B1	3/2002	Gouldson	2003/0136804 A1	7/2003	Gouldson et al.
6,378,744 B1	4/2002	Olk et al.	2003/0154594 A1	8/2003	Sollanek et al.
6,382,478 B1	5/2002	Gouldson et al.	2003/0183665 A1	10/2003	Olk et al.
D458,039 S	6/2002	Gouldson	2003/0209577 A1	11/2003	Gouldson et al.
D459,593 S	7/2002	Gouldson	2004/0004096 A1	1/2004	Gouldson et al.
6,421,910 B1	7/2002	Marshall et al.	2004/0163239 A1	8/2004	Sollanek et al.
6,422,437 B1	7/2002	Gouldson et al.	2004/0182891 A1	9/2004	Mainetti
6,422,438 B1	7/2002	Batts	2004/0188475 A1	9/2004	Gouldson
6,435,387 B1	8/2002	Gouldson et al.	2004/0200865 A1	10/2004	Mainetti
D463,918 S	10/2002	Goldman et al.	2004/0206788 A1	10/2004	Capuano et al.
6,467,658 B1	10/2002	Olk et al.	2004/0222252 A1	11/2004	Gouldson et al.
6,467,659 B1	10/2002	Gouldson	2004/0222254 A1	11/2004	Olk et al.
6,474,517 B1	11/2002	Sutton	2005/0067445 A1	3/2005	De Groot
6,484,390 B1	11/2002	Gouldson et al.	2005/0139625 A1	6/2005	Gouldson
D466,311 S	12/2002	Hawkins	2005/0194412 A1	9/2005	Petrou
D466,704 S	12/2002	Hawkins			
D466,705 S	12/2002	Hawkins			
6,499,633 B1	12/2002	Pogmore			

* cited by examiner

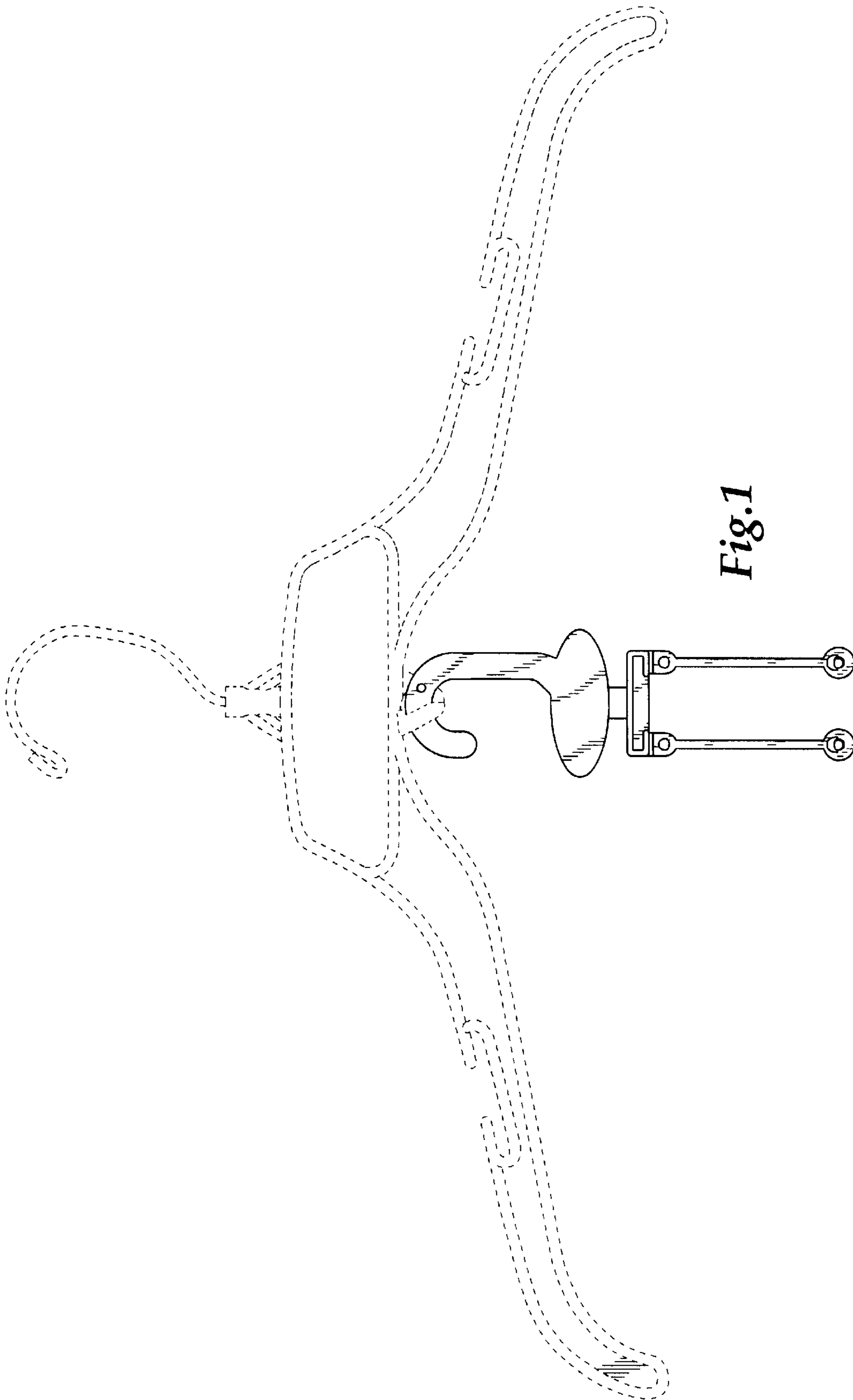


Fig. 1

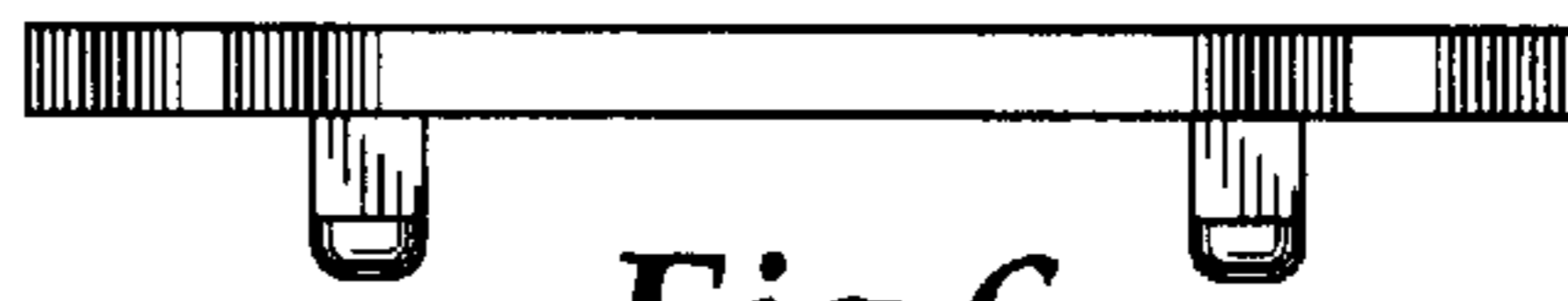


Fig.6

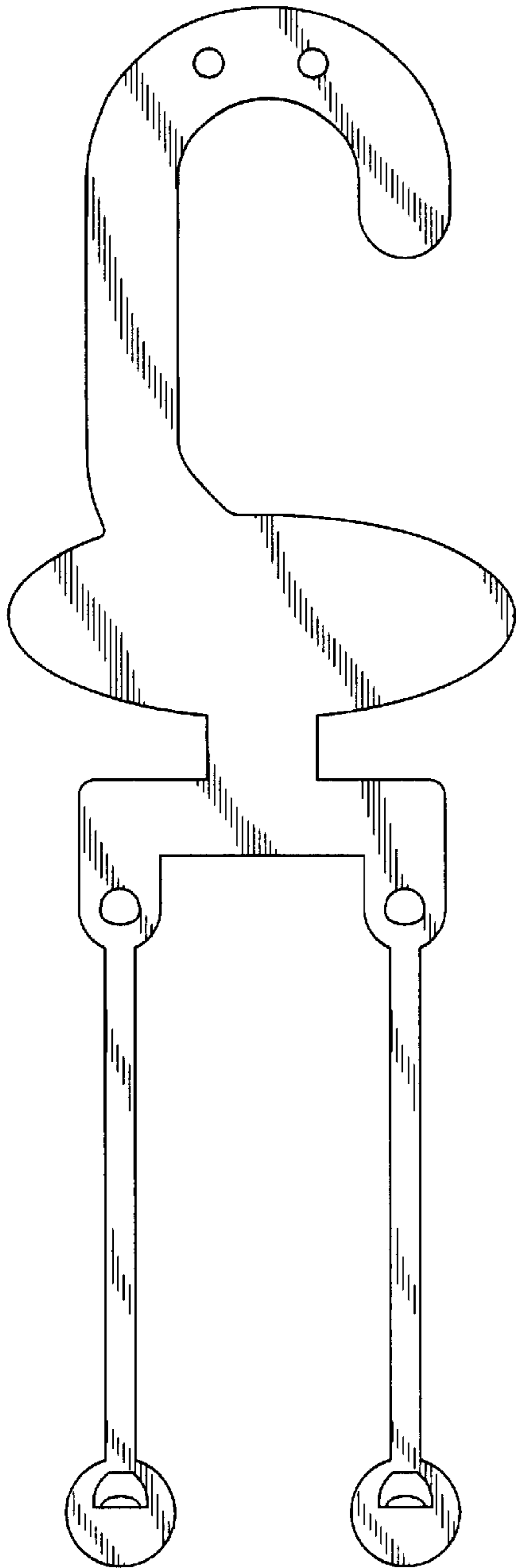


Fig.2

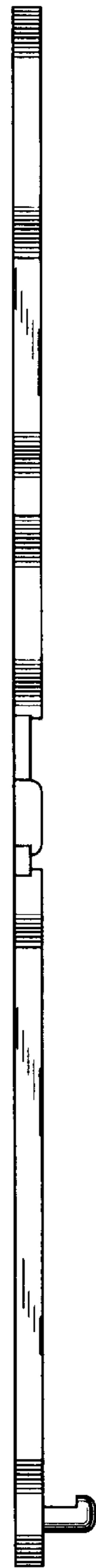


Fig.3

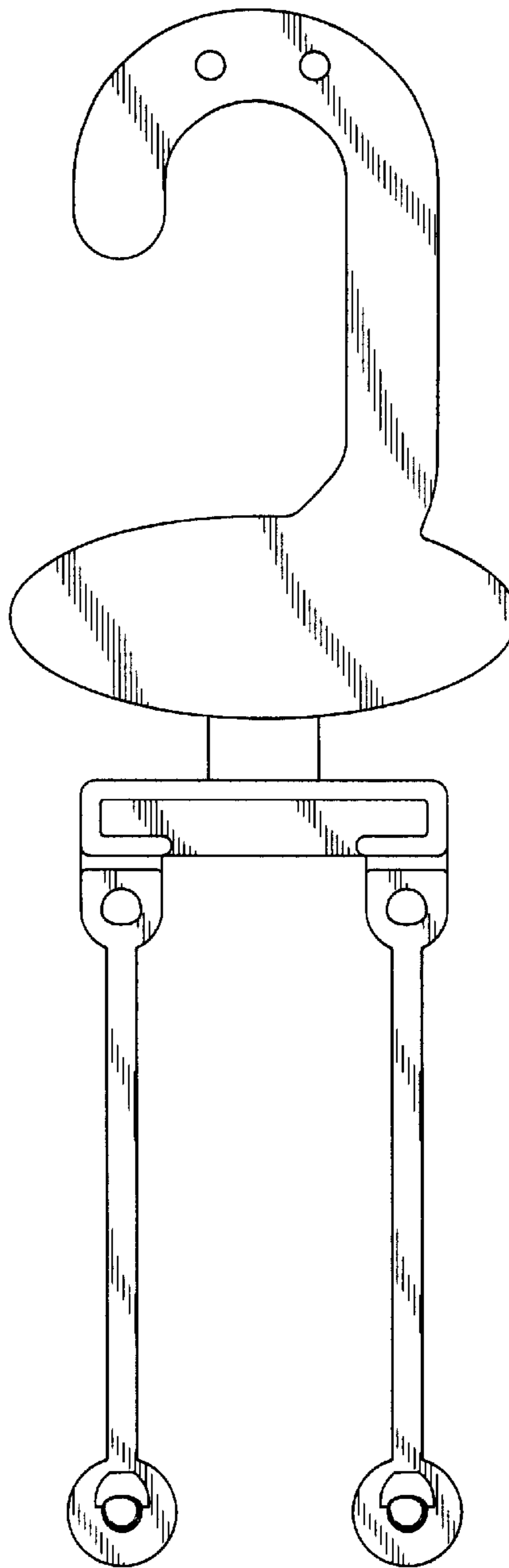


Fig.4

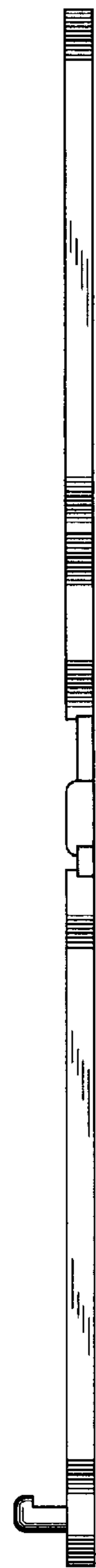


Fig.5

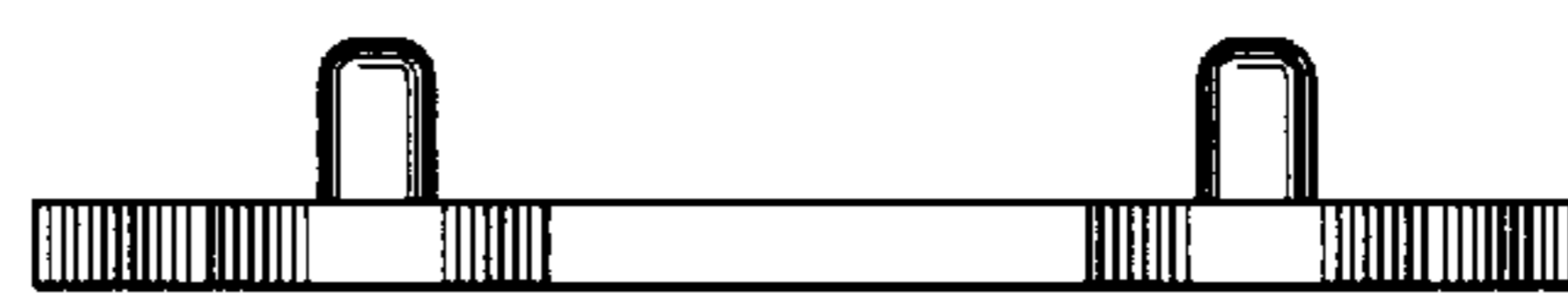


Fig.7

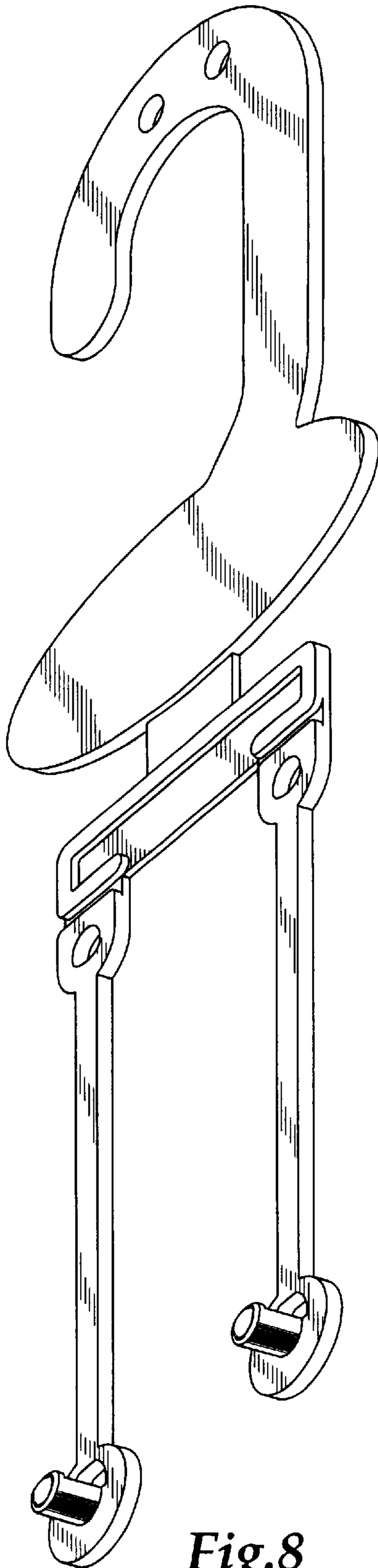


Fig. 8