



US00D530525S

(12) **United States Design Patent**
Greene, II

(10) **Patent No.:** **US D530,525 S**

(45) **Date of Patent:** **** Oct. 24, 2006**

(54) **PICTURE FRAME**

(76) **Inventor:** **John M. Greene, II**, 739 Scallop Dr.,
Suite 43, Port Canaveral, FL (US)
32920

(**) **Term:** **14 Years**

(21) **Appl. No.:** **29/234,111**

(22) **Filed:** **Jul. 14, 2005**

(51) **LOC (8) Cl.** **06-07**

(52) **U.S. Cl.** **D6/309**

(58) **Field of Classification Search** D6/300-314;
40/700, 711, 714, 716, 720, 735, 745, 765,
40/766, 780, 790; D21/710

See application file for complete search history.

(56) **References Cited**

U.S. PATENT DOCUMENTS

D15,850 S * 2/1885 Brownell D6/309
D116,353 S * 8/1939 Silverman D6/309
4,561,476 A * 12/1985 Bunkoczy 141/311 R

4,624,119 A * 11/1986 Newman et al. 70/366
D459,094 S * 6/2002 Stone et al. D6/309
D488,626 S * 4/2004 Kruger D6/309
D499,891 S * 12/2004 Mackey D6/309

* cited by examiner

Primary Examiner—Janice E. Seeger

Assistant Examiner—Sydney R. Buffalow

(74) *Attorney, Agent, or Firm*—William M. Hobby, III

(57) **CLAIM**

The ornamental design for a picture frame, as shown and described.

DESCRIPTION

FIG. 1 is a front left side perspective view of my new picture frame;

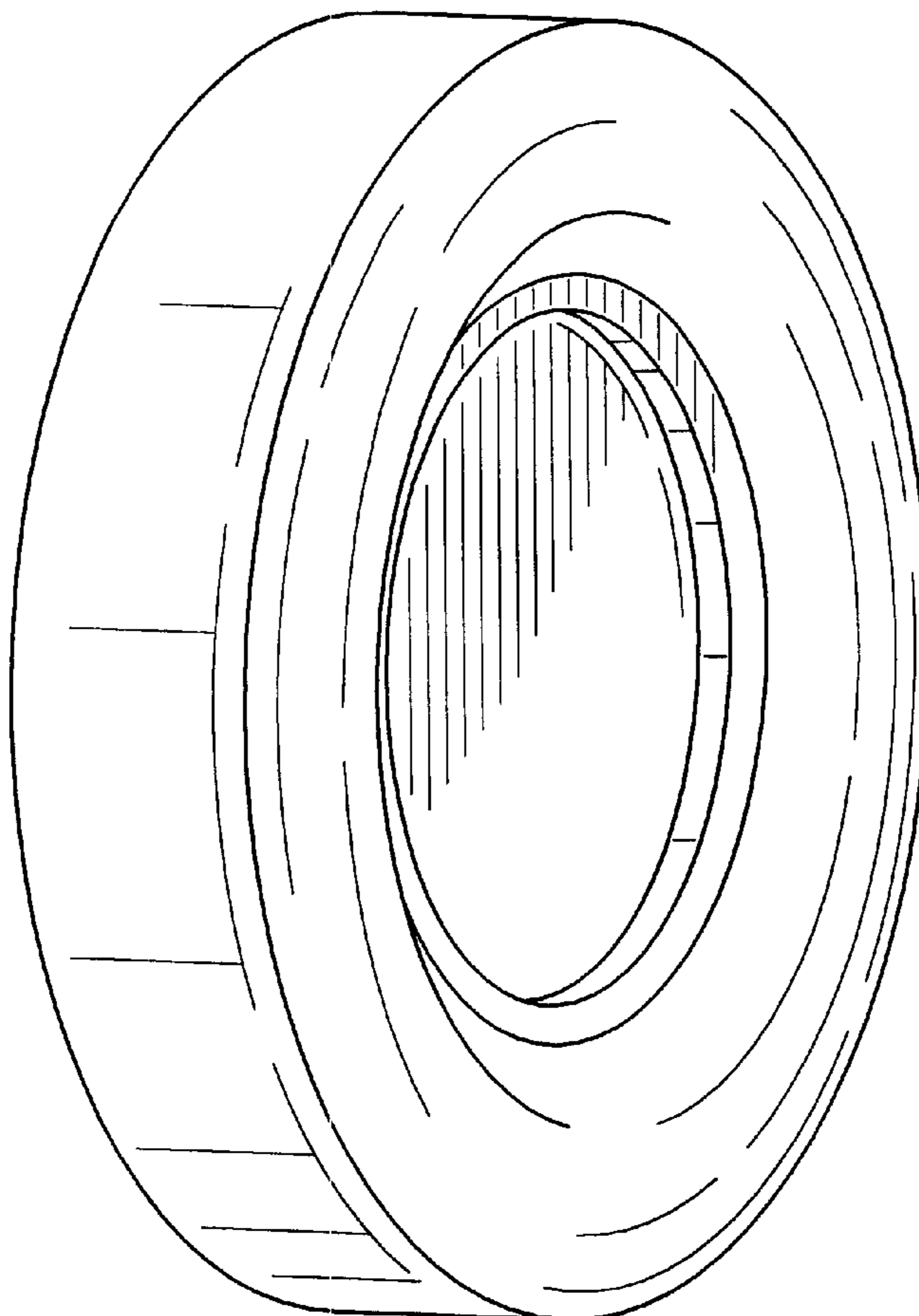
FIG. 2 is a rear right side perspective view;

FIG. 3 is a bottom plan view;

FIG. 4 is a front elevation; and,

FIG. 5 is a rear elevation.

1 Claim, 2 Drawing Sheets



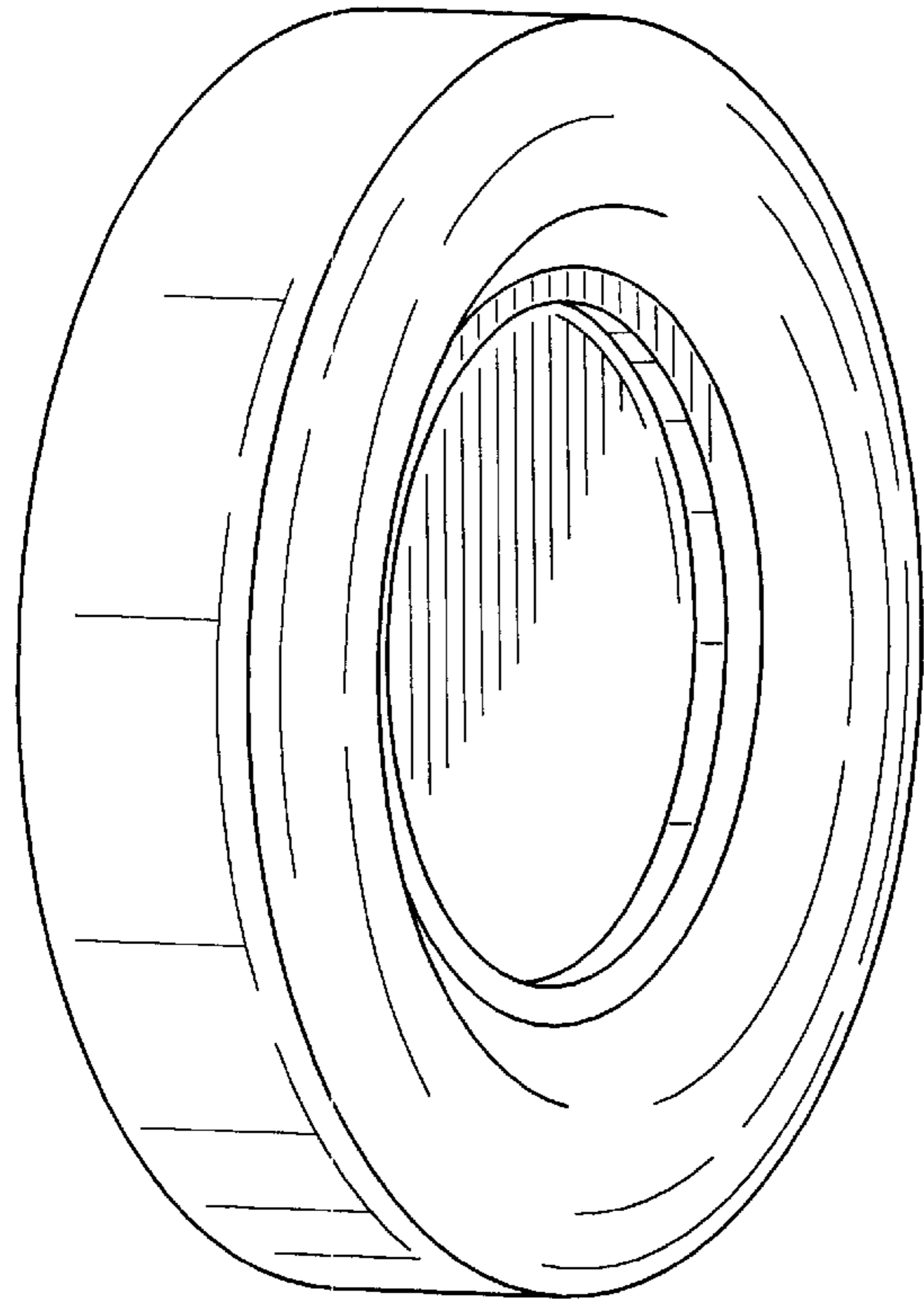


FIG. 1

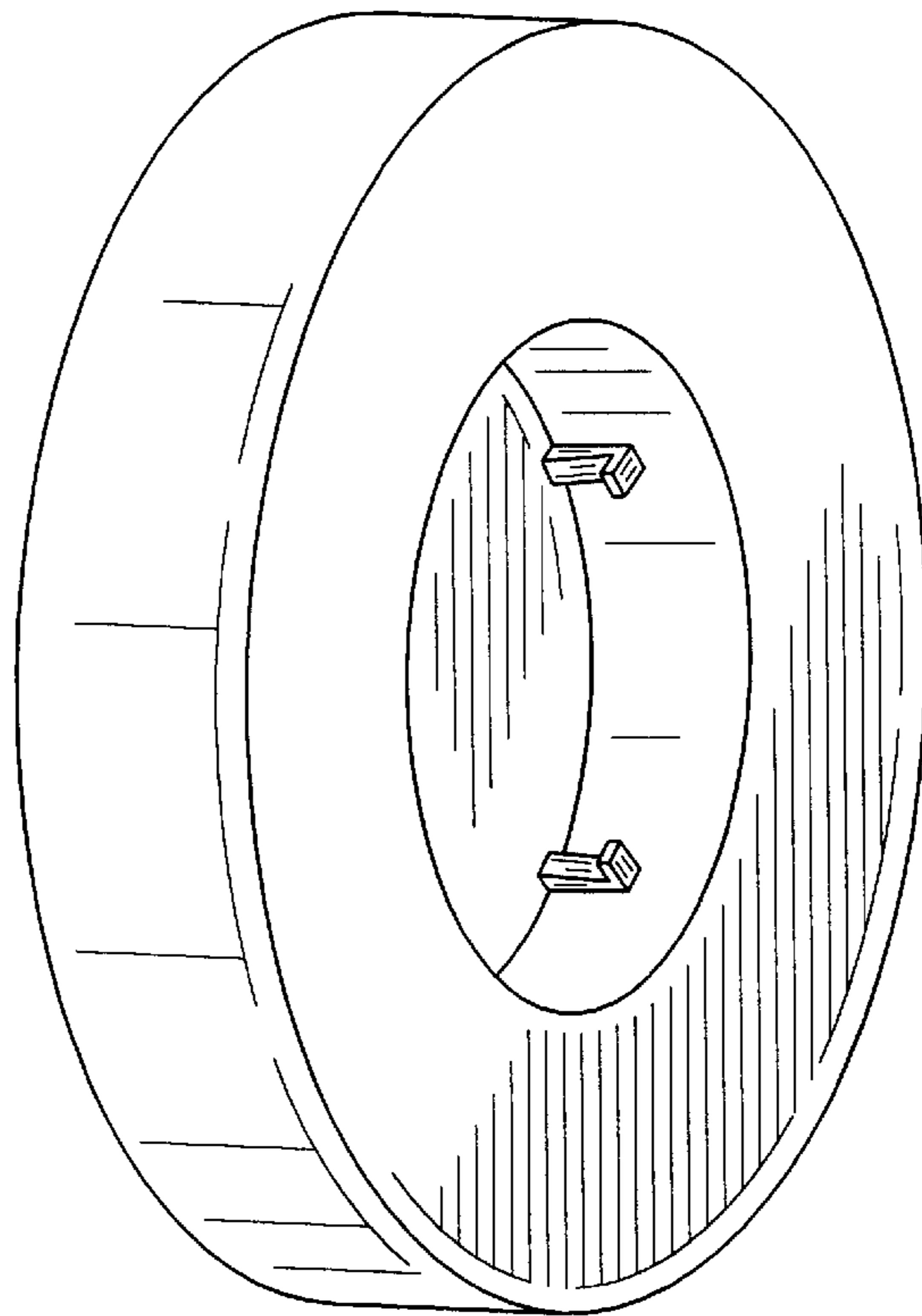


FIG. 2

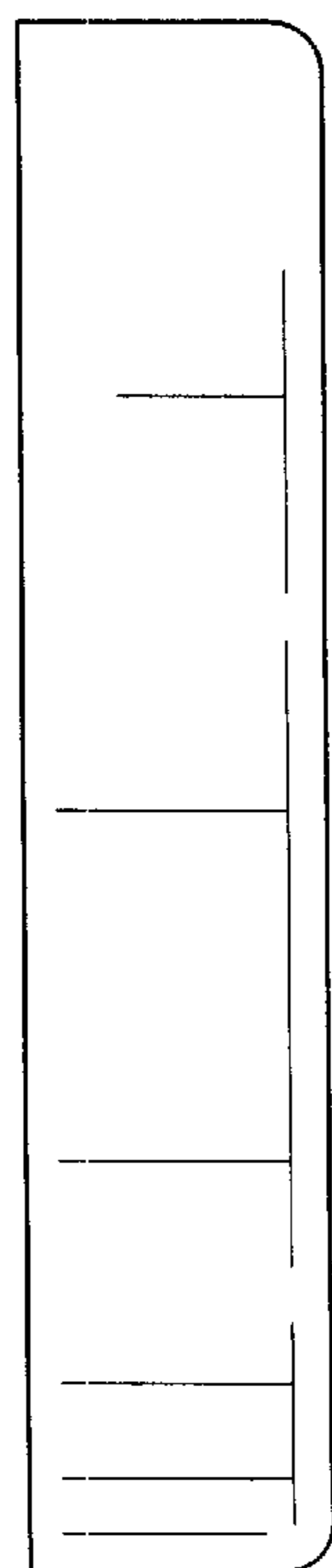


FIG. 3

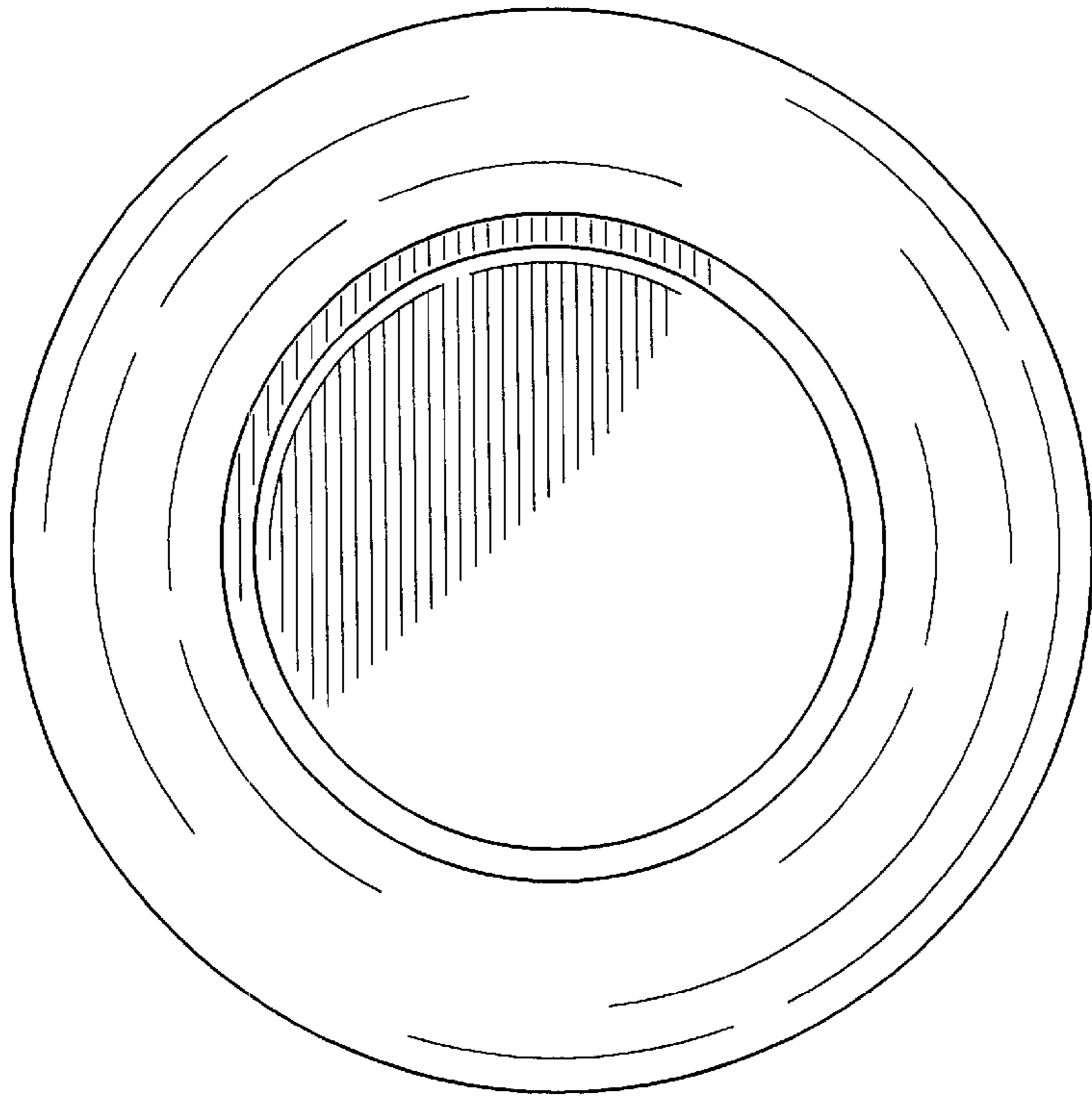


FIG. 4

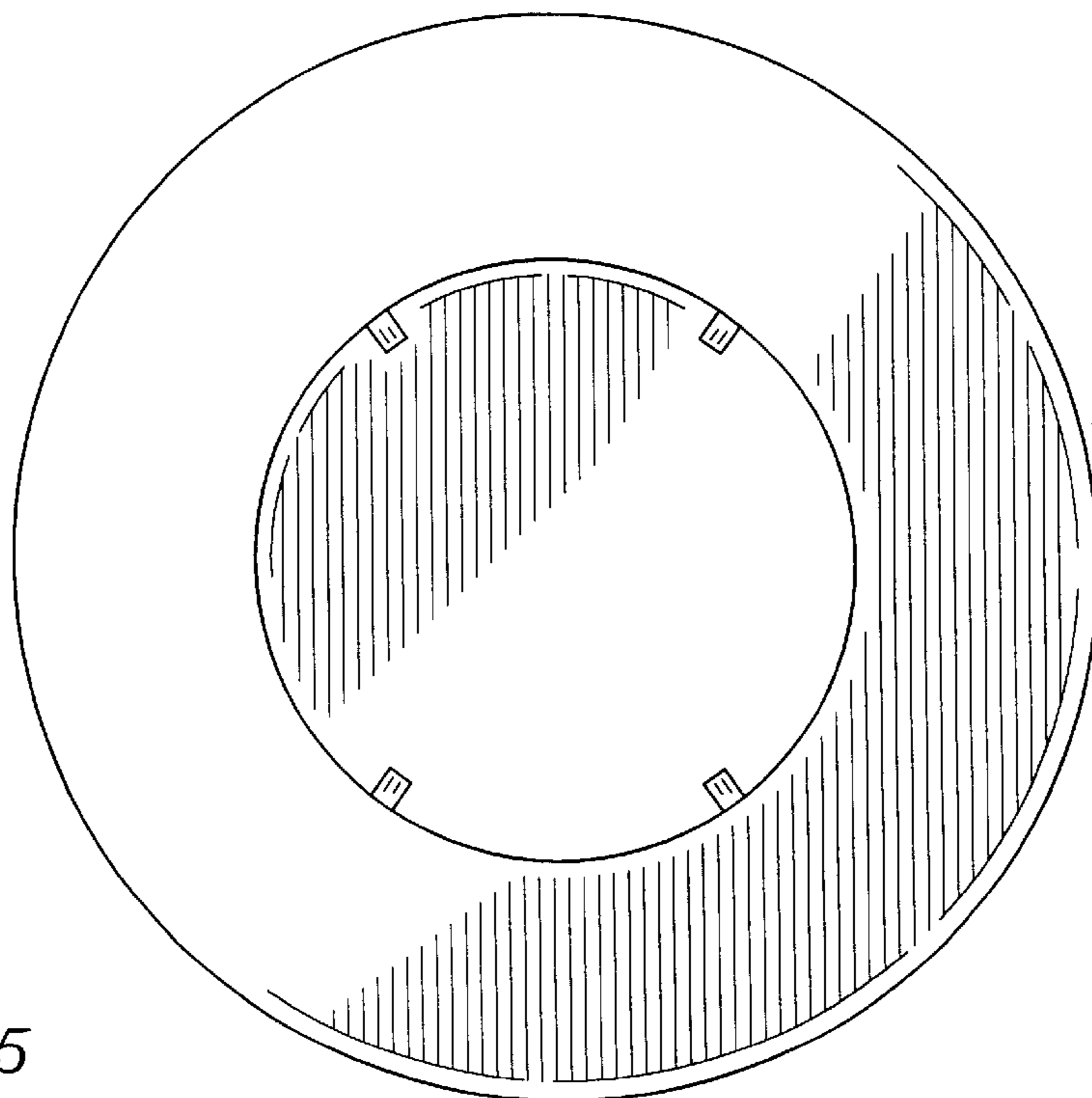


FIG. 5