



US00D530519S

(12) **United States Design Patent**  
**Langer**

(10) **Patent No.:** **US D530,519 S**

(45) **Date of Patent:** **\*\* Oct. 24, 2006**

(54) **COSMETIC BRUSH WITH HOLDING TUBE**

(75) Inventor: **Wolfram Langer**, Glieniecke (GB)

(73) Assignee: **Kryolan GmbH**, Berlin (DE)

(\*\*) Term: **14 Years**

(21) Appl. No.: **29/214,724**

(22) Filed: **Oct. 6, 2004**

(51) **LOC (8) Cl.** ..... **04-02**

(52) **U.S. Cl.** ..... **D4/116; D4/121; D4/127**

(58) **Field of Classification Search** ..... D4/116,  
D4/121, 127, 135, 138, 199; D3/201, 205,  
D3/901; D28/7, 76, 77; 15/143.1, 145, 166,  
15/176.1, 159.1, 160, 168, 175, 184, 191.1,  
15/192, 193; 132/313, 317, 320; 206/15.2,  
206/361, 581, 823

See application file for complete search history.

(56) **References Cited**

**U.S. PATENT DOCUMENTS**

D134,797 S	*	1/1943	Lubkin	.....	D4/135
D204,449 S	*	4/1966	Zavodsky	.....	D4/121
D229,115 S	*	11/1973	Costa	.....	D28/7 X
4,471,507 A	*	9/1984	Schwartz	.....	15/145 X
6,779,532 B1	*	8/2004	Dorf		
6,895,628 B1	*	5/2005	Anderson	.....	132/313 X
2003/0102010 A1	*	6/2003	Mays		

**OTHER PUBLICATIONS**

Hong Kong Enterprise, vol. 8, Aug. 2003, Law Tai Hang  
Cosmetic Brush Factory, Cosmetic Brush Set with Case,  
Item No. CT100, p. 191.\*

\* cited by examiner

*Primary Examiner*—Alan P. Douglas

*Assistant Examiner*—Lavone D. Tabor

(74) *Attorney, Agent, or Firm*—Haverstock & Owens LLP

(57) **CLAIM**

The ornamental design for a cosmetic brush with holding tube, as shown and described.

**DESCRIPTION**

FIG. 1 is a top perspective view of a cosmetic brush with holding tube showing my new design;

FIG. 2 is a partially exploded, top perspective view thereof;

FIG. 3 is a front elevation view of the brush shown separately for clarity of illustration;

FIG. 4 is an exploded view of FIG. 3;

FIG. 5 is a left side elevation view of FIG. 3, the right side being a mirror image;

FIG. 6 is a perspective view of FIG. 3;

FIG. 7 is an exploded perspective view of FIG. 3;

FIG. 8 is a front elevation view of the holding tube, shown separately for clarity of illustration;

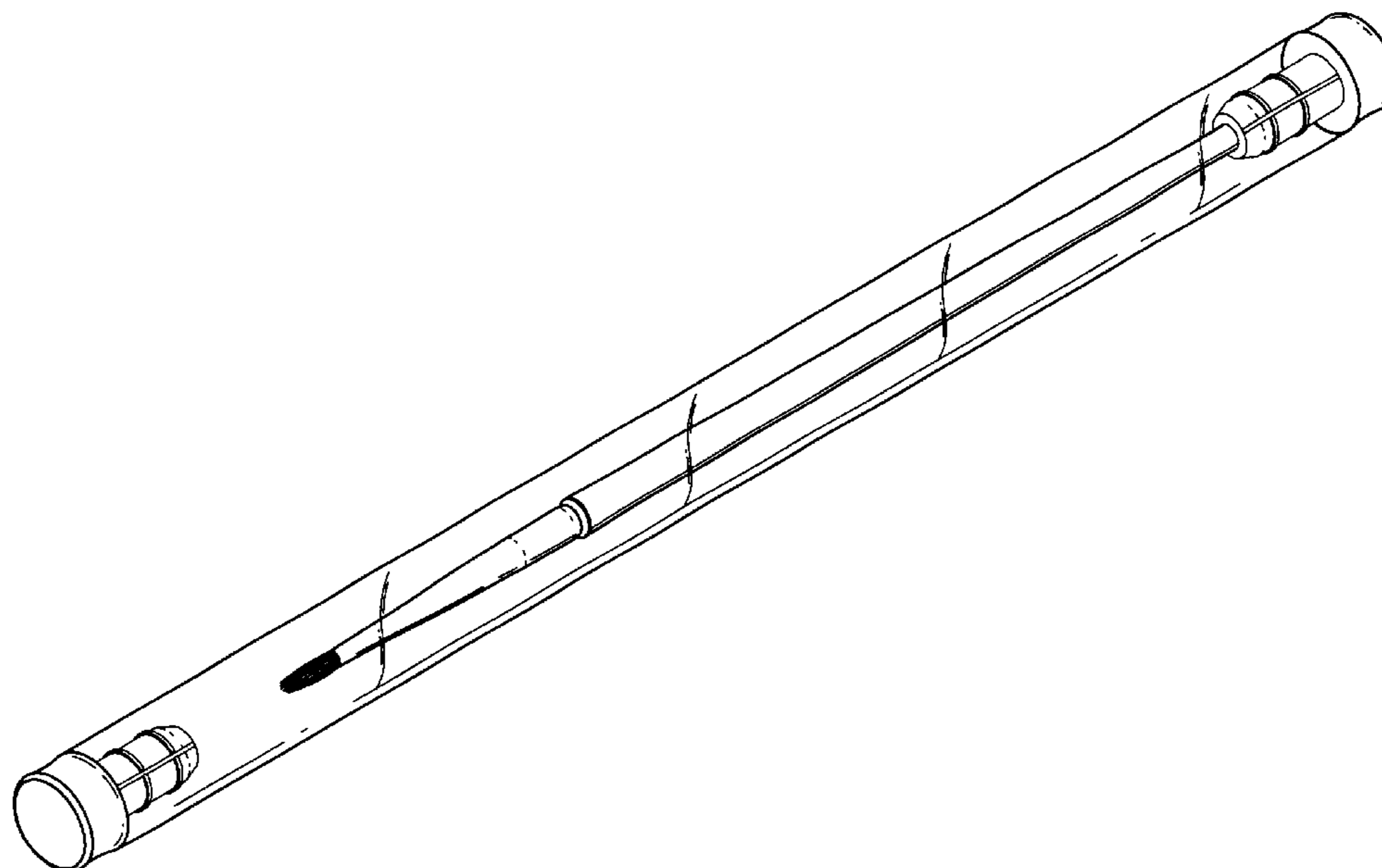
FIG. 9 is a top perspective view of FIG. 8 with an end cap omitted;

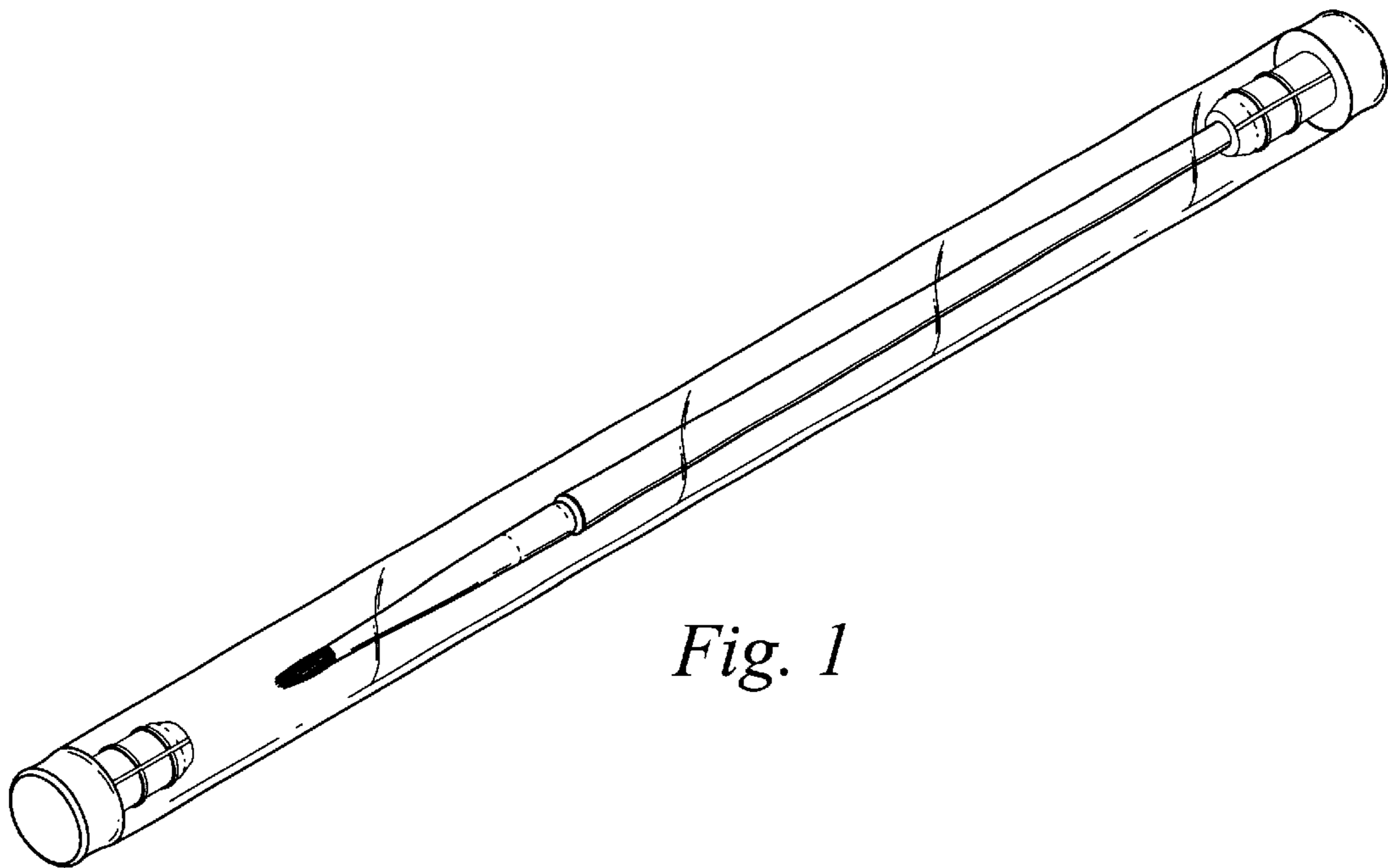
FIG. 10 is a top plan view of the cap portion, shown separately for clarity of illustration;

FIG. 11 is a side elevation view of FIG. 10; and,

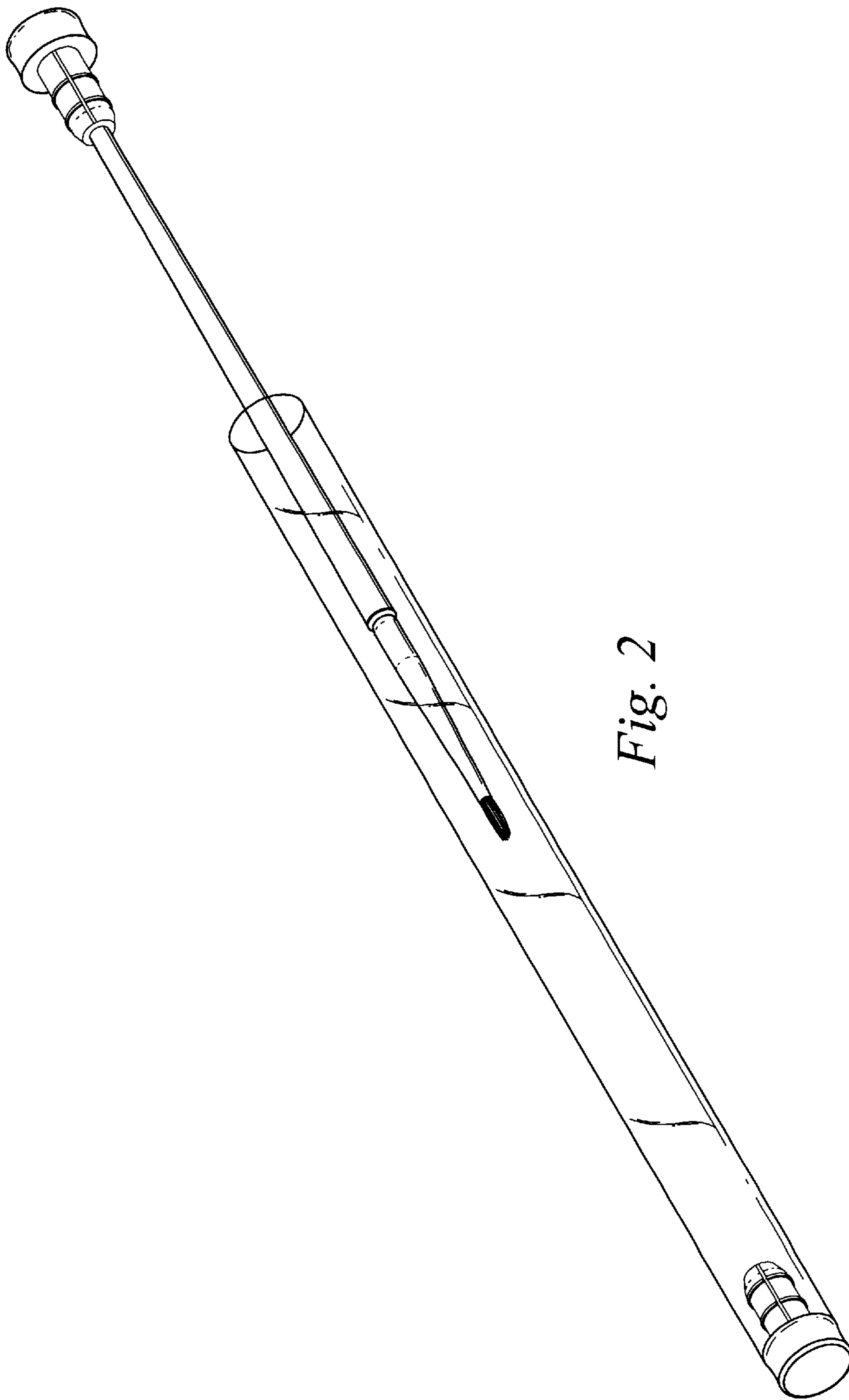
FIG. 12 is a bottom plan view of FIG. 10.

**1 Claim, 7 Drawing Sheets**





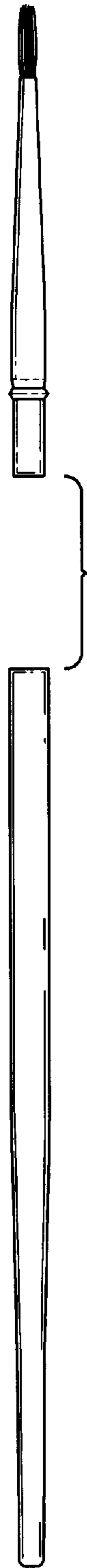
*Fig. 1*



*Fig. 2*



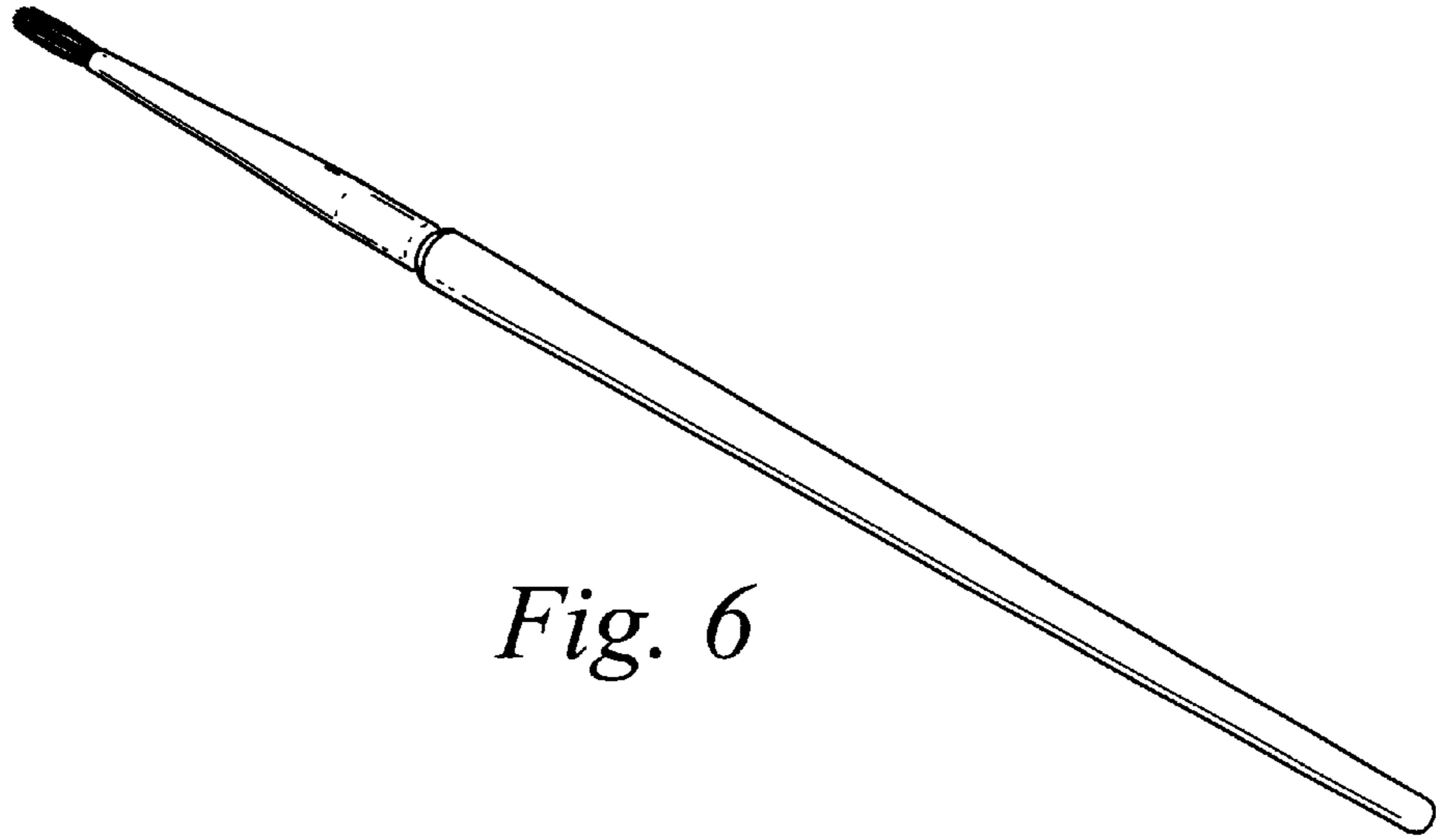
*Fig. 3*



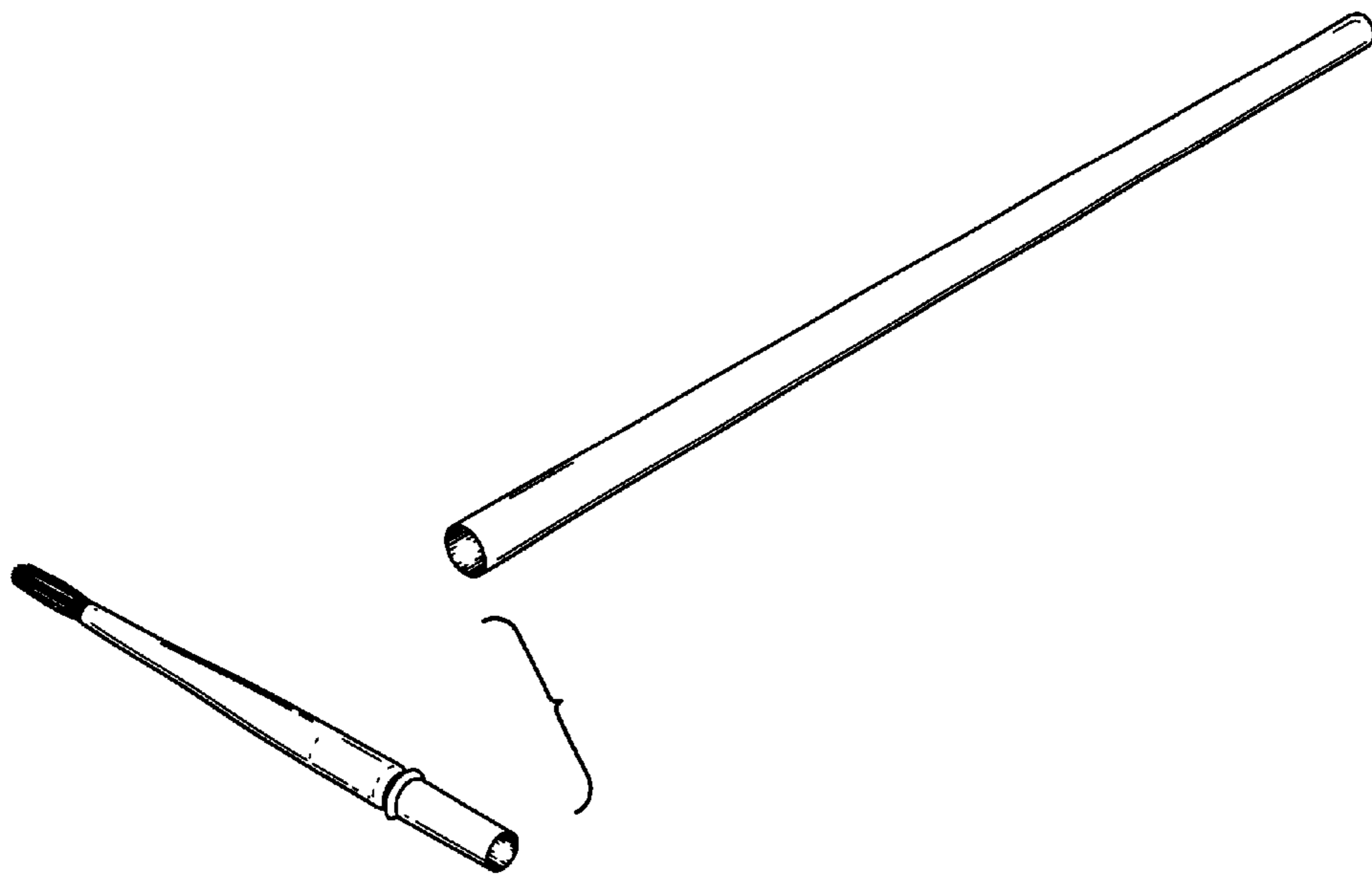
*Fig. 4*



*Fig. 5*



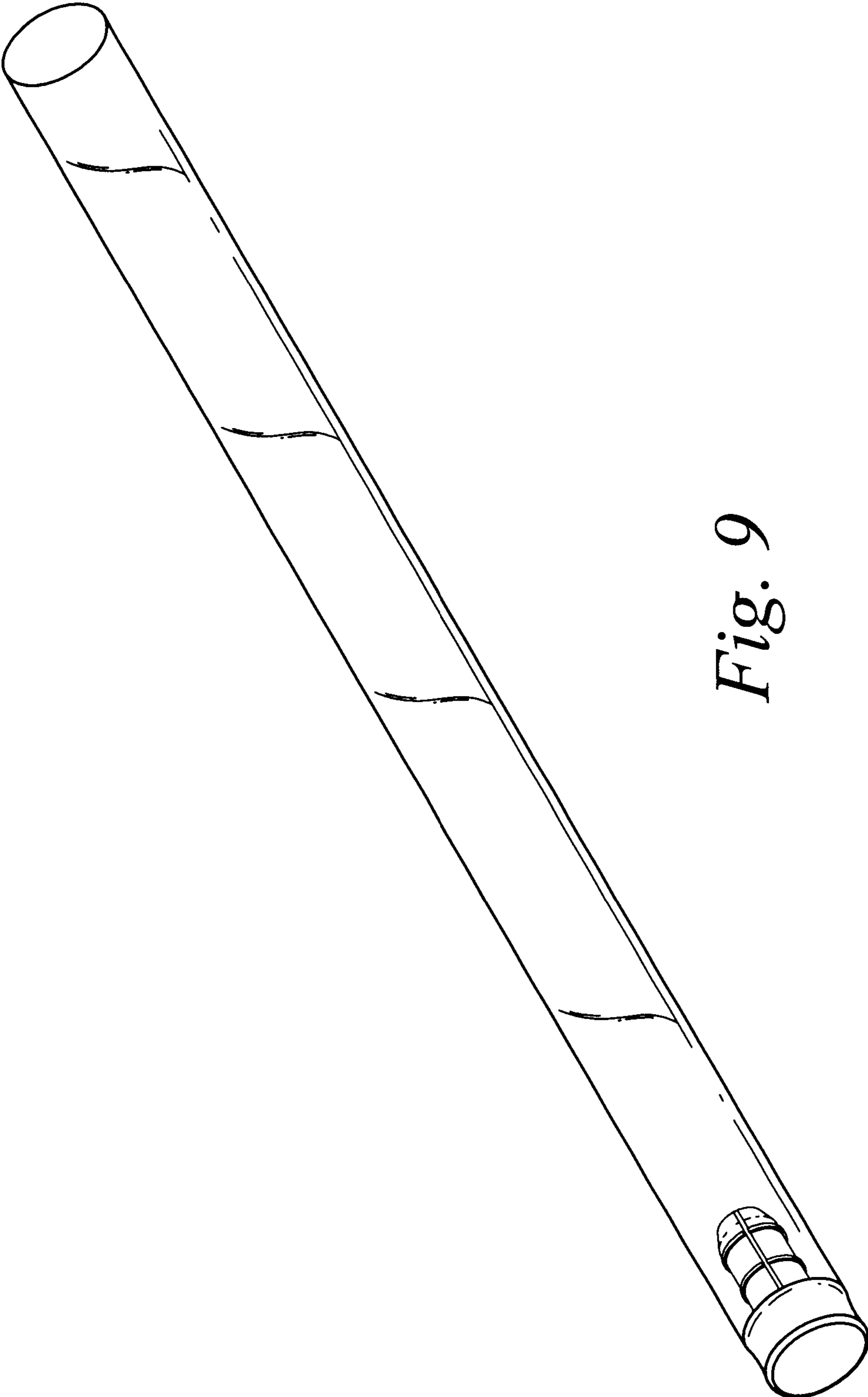
*Fig. 6*



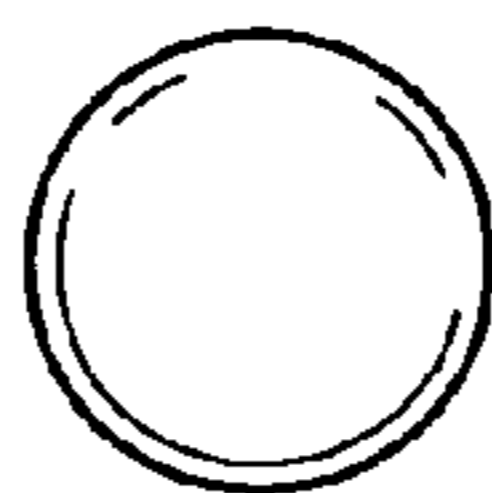
*Fig. 7*



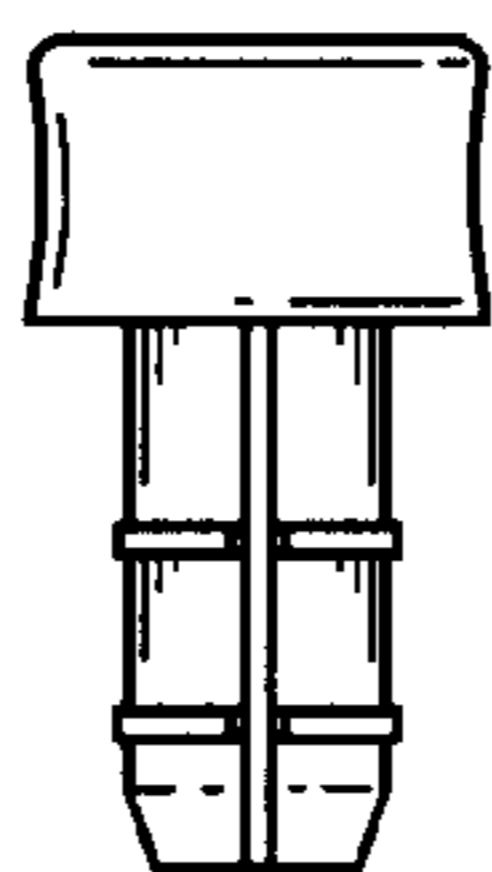
*Fig. 8*



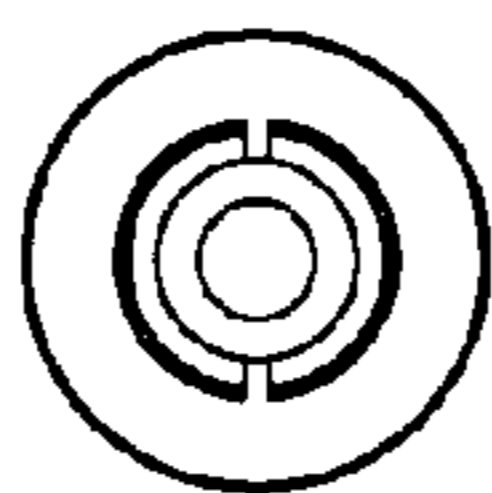
*Fig. 9*



*Fig. 10*



*Fig. 11*



*Fig. 12*