

US00D530515S

(12) **United States Design Patent**  
**Suppancig**

(10) **Patent No.:** **US D530,515 S**

(45) **Date of Patent:** **\*\* Oct. 24, 2006**

(54) **GARMENT BAG**

(75) Inventor: **Massimo Suppancig**, Milan (IT)

(73) Assignee: **Valextra S.r.l**, Milan (IT)

(\*\*) Term: **14 Years**

(21) Appl. No.: **29/232,166**

(22) Filed: **Jun. 15, 2005**

(30) **Foreign Application Priority Data**

Dec. 16, 2004 (EM) ..... 000270228

(51) **LOC (8) Cl.** ..... **03-01**

(52) **U.S. Cl.** ..... **D3/289; D3/902**

(58) **Field of Classification Search** ..... D3/273,  
D3/276, 283, 287-289, 293, 301, 902; 190/100,  
190/102, 108, 111-114, 119, 900, 903  
See application file for complete search history.

(56) **References Cited**

**U.S. PATENT DOCUMENTS**

- D280,782 S \* 10/1985 Cooper ..... D3/278
- 4,854,431 A \* 8/1989 Pulichino et al. .... 190/108
- D309,831 S \* 8/1990 Gibbs ..... D3/278
- D312,353 S \* 11/1990 Kim ..... D3/278
- D439,409 S \* 3/2001 Williams ..... D3/283

**OTHER PUBLICATIONS**

Connexions—Antler—Suit Carrier. Downloaded Jan. 20, 2006 at <http://www.shop4luggage.co.uk/popup.asp?ID=350>.\*

\* cited by examiner

*Primary Examiner*—Philip S. Hyder

*Assistant Examiner*—RoseLynne (Ulm) Cody

(74) *Attorney, Agent, or Firm*—Hedman & Costigan, P.C.; James V. Costigan

(57) **CLAIM**

The ornamental design for a garment bag, as shown and described.

**DESCRIPTION**

FIG. 1 is a perspective view of the garment bag of the invention;

FIG. 2 is a top plan view of the garment bag of the invention;

FIG. 3 is a front view of the garment bag of the invention;

FIG. 4 is a left side view of the garment bag of the invention;

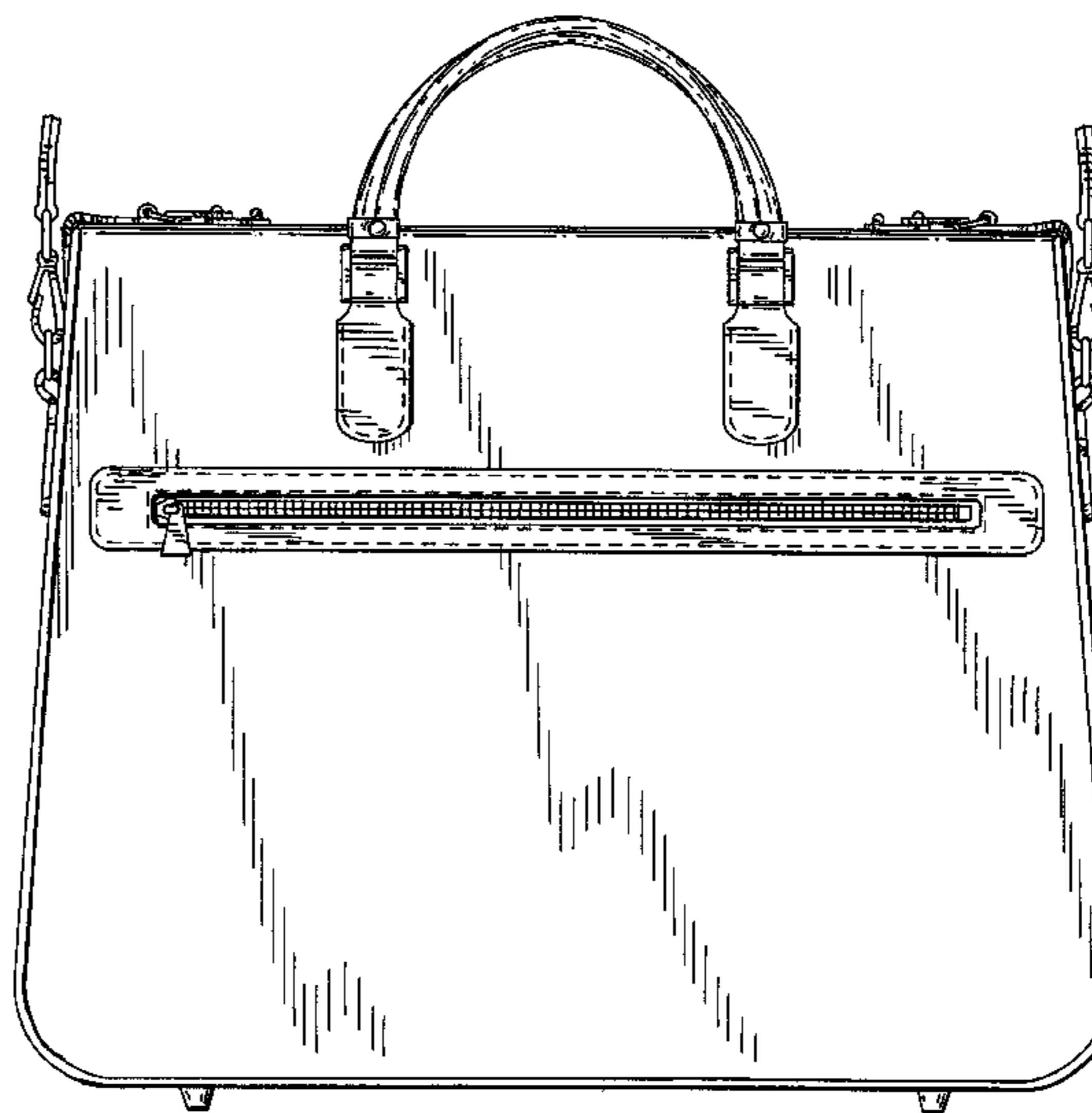
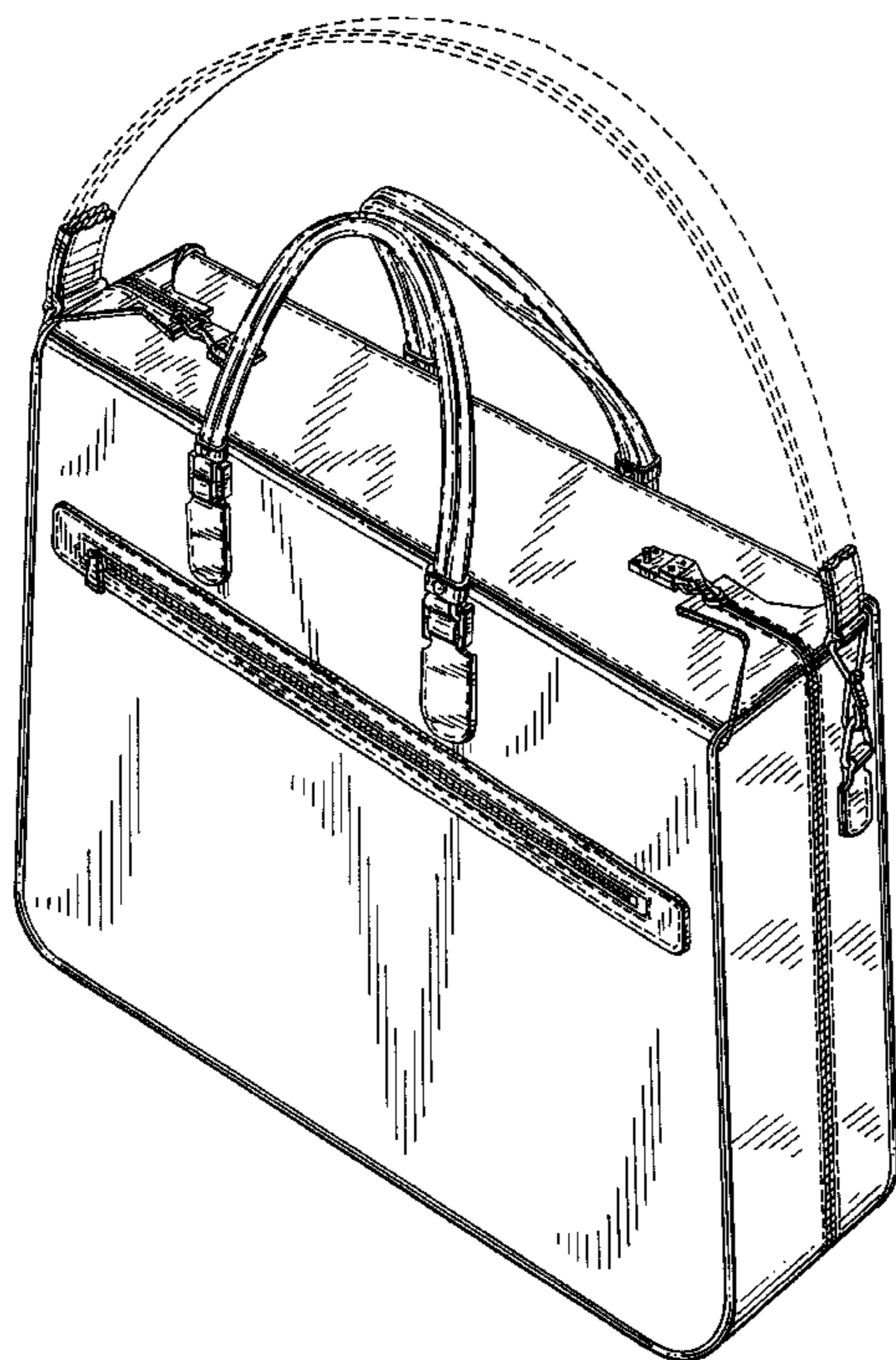
FIG. 5 is a right side view of the garment bag of the invention;

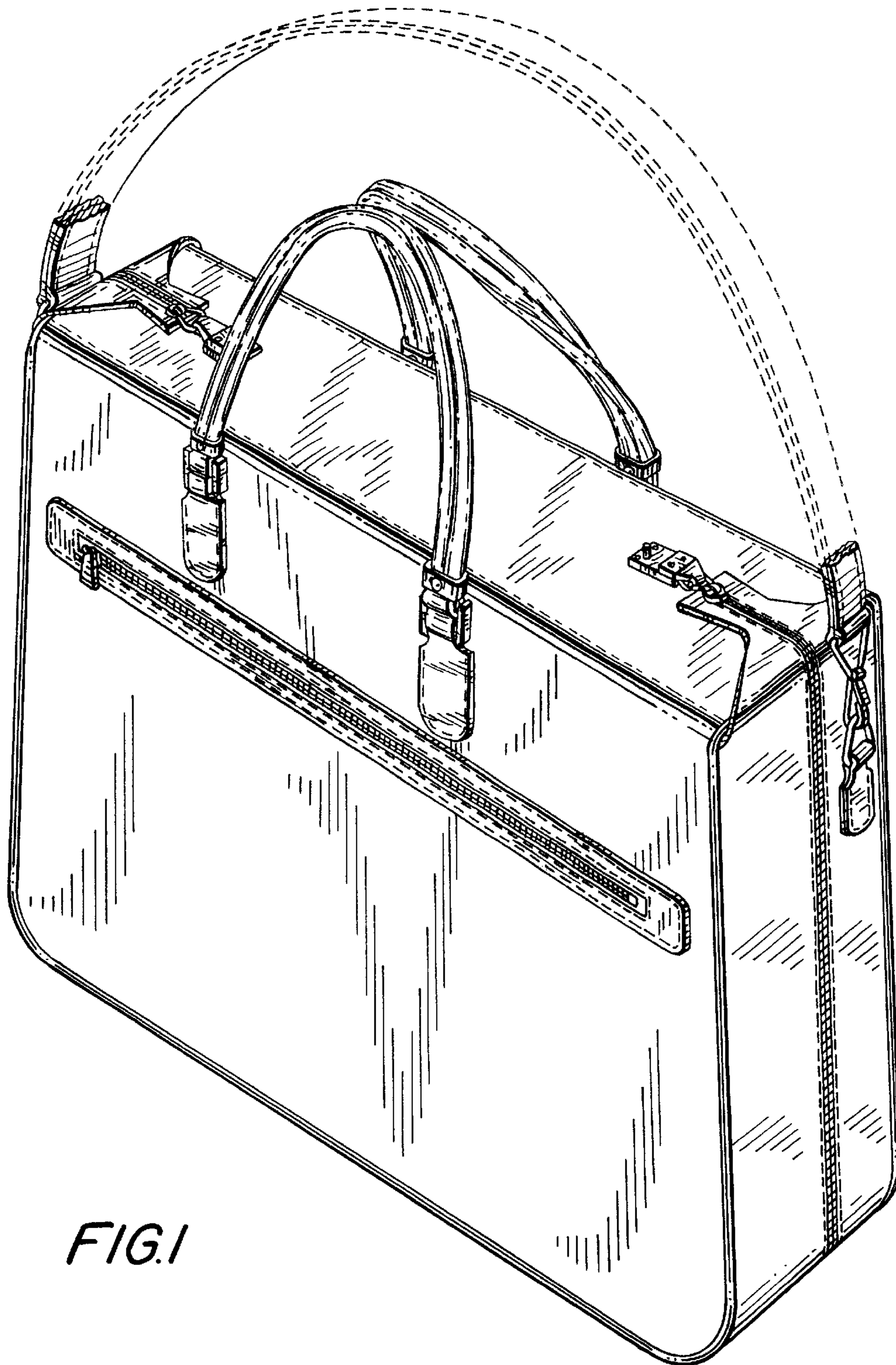
FIG. 6 is a back view of the garment bag of the invention; and,

FIG. 7 is a bottom view of the garment bag of the invention.

The broken line showing of a shoulder strap in FIG. 1 is for illustrative purposes only and forms no part of the claimed design. In all other cases throughout the drawing disclosure, the broken lines represent stitching and do form a part of the claimed design.

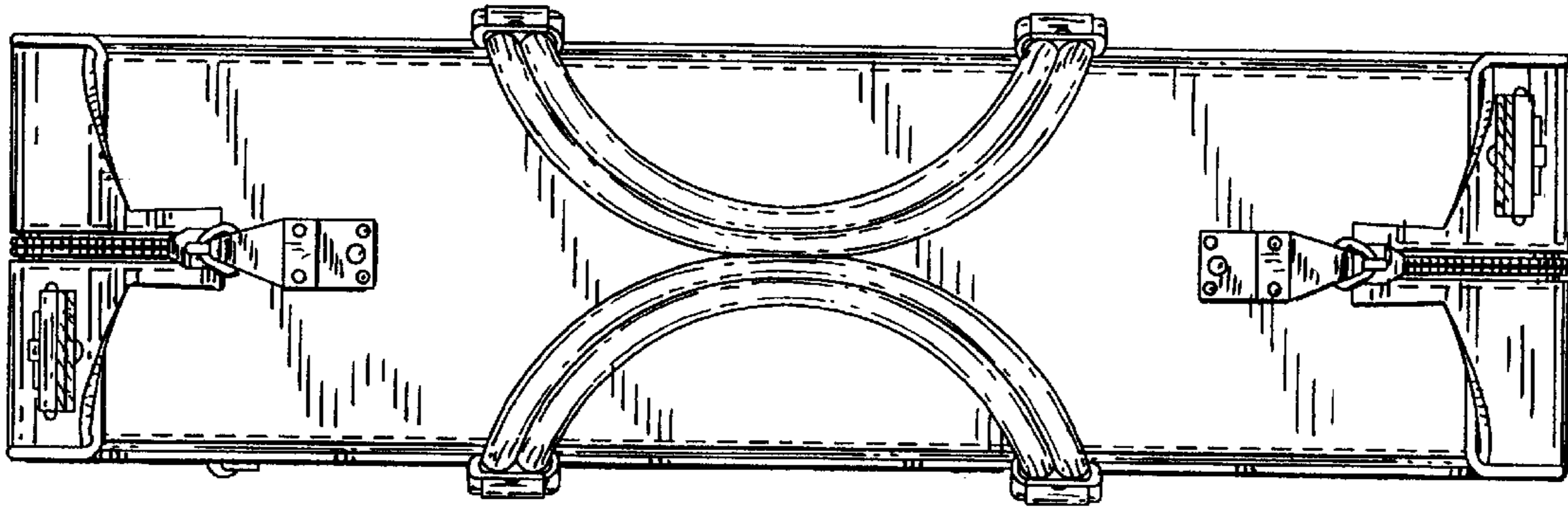
**1 Claim, 4 Drawing Sheets**



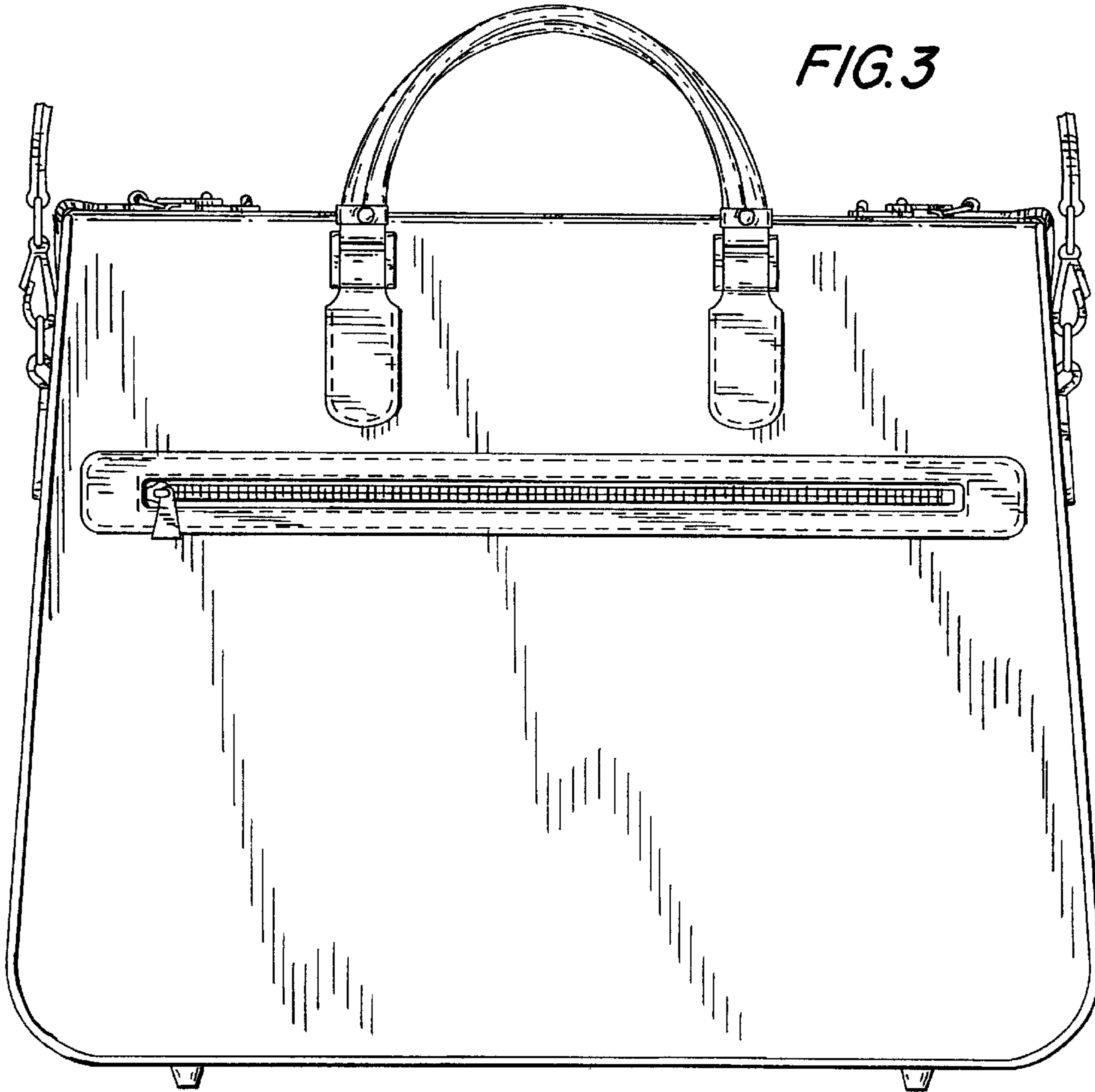


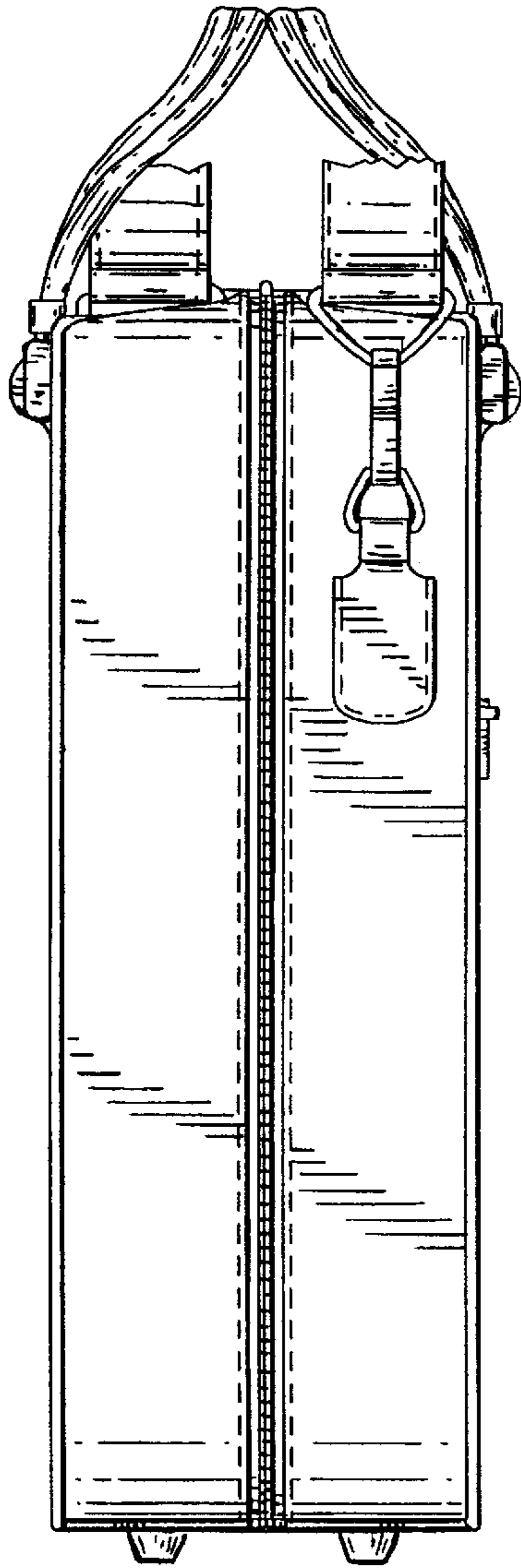
*FIG. 1*

*FIG. 2*

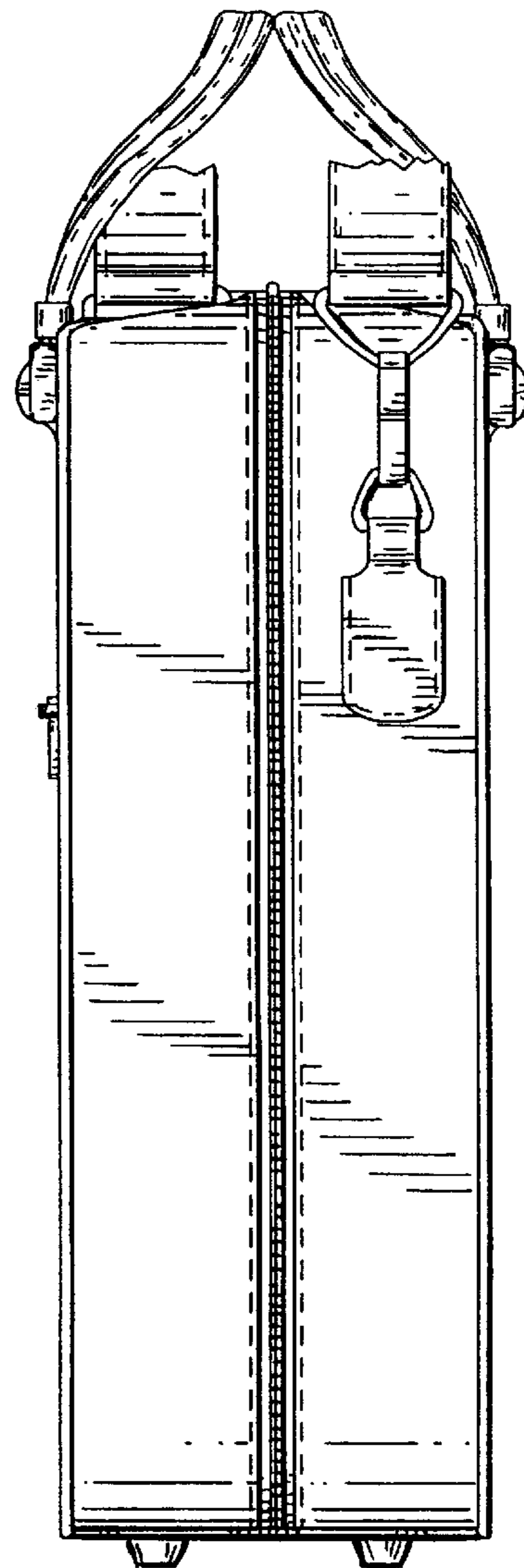


*FIG. 3*





*FIG. 4*



*FIG. 5*

*FIG. 6*



*FIG. 7*

