



US00D530513S

(12) **United States Design Patent**
Oh

(10) **Patent No.:** **US D530,513 S**

(45) **Date of Patent:** **** Oct. 24, 2006**

(54) **LUGGAGE CONTAINER WITH CONCEALED CARRYING MEANS**

(75) Inventor: **Scott Oh**, Carson, CA (US)

(73) Assignee: **Luggage America, Inc.**, Carson, CA (US)

(**) Term: **14 Years**

(21) Appl. No.: **29/223,736**

(22) Filed: **Dec. 5, 2002**

(51) **LOC (8) Cl.** **03-01**

(52) **U.S. Cl.** **D3/279; D3/289**

(58) **Field of Classification Search** D3/216-217, D3/276, 279, 283, 285, 289; 190/18 A, 100, 190/109; 224/153

See application file for complete search history.

(56) **References Cited**

U.S. PATENT DOCUMENTS

D375,402	S	*	11/1996	Yeh	D3/217
D387,198	S	*	12/1997	Lehmann et al.	D3/217
5,749,503	A	*	5/1998	Wulf et al.	224/153
D399,053	S	*	10/1998	de Moraes	D3/216
5,984,154	A	*	11/1999	Scicluna	224/153
D448,161	S	*	9/2001	Holodnicki	D3/217
D457,306	S	*	5/2002	Szyf	D3/217
6,530,507	B1	*	3/2003	Oh	224/153
6,550,651	B1	*	4/2003	Murdoch et al.	224/153
6,592,012	B1	*	7/2003	Godshaw et al.	224/153
D479,648	S	*	9/2003	De Lathouwer	D3/216

6,637,562	B1	*	10/2003	Oh	190/26
6,702,164	B1	*	3/2004	De Lathouwer	224/153
D491,359	S	*	6/2004	Oh	D3/279
6,742,684	B1	*	6/2004	Oh	224/153
6,923,352	B1	*	8/2005	Oh	224/153
2002/0145018	A1	*	10/2002	Godshaw et al.	224/153
2005/0103589	A1	*	5/2005	Russo et al.	190/18 A

* cited by examiner

Primary Examiner—Philip S. Hyder

Assistant Examiner—RoseLynne Ulm

(74) *Attorney, Agent, or Firm*—Lee, Hong, Degerman, Kang & Schmadeka

(57) **CLAIM**

The ornamental design for a luggage container with concealed carrying means, as shown and described.

DESCRIPTION

FIG. 1 is a side perspective view of the luggage container with concealed carrying means;

FIG. 2 is an opposite side perspective view thereof;

FIG. 3 is a rear elevational view thereof;

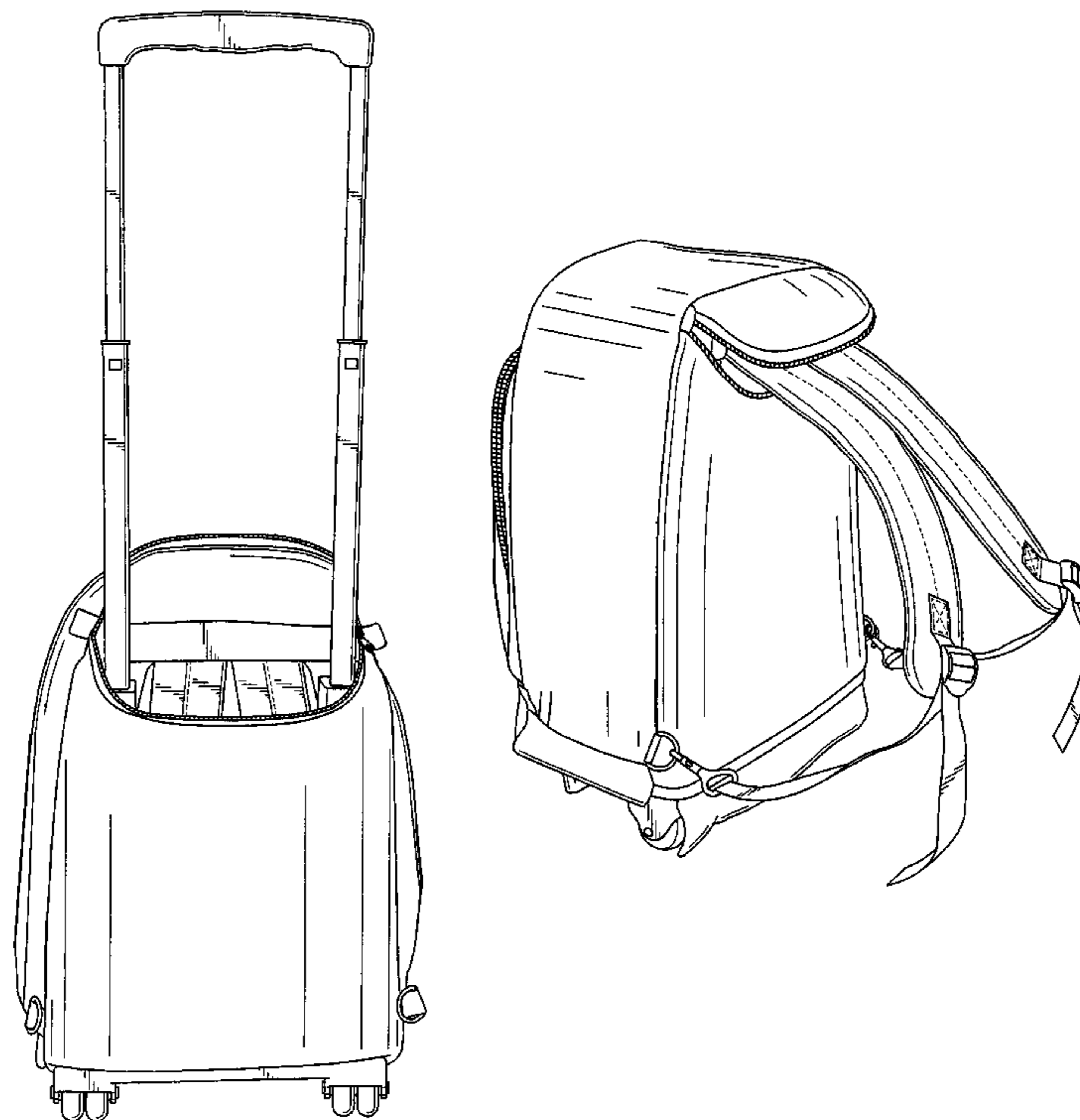
FIG. 4 is a bottom plan view thereof;

FIG. 5 is a rear elevational view thereof, with the extendable handle extended;

FIG. 6 is a side perspective view thereof, with the shoulder straps deployed; and,

FIG. 7 is a bottom perspective view thereof; with the shoulder straps deployed.

1 Claim, 4 Drawing Sheets



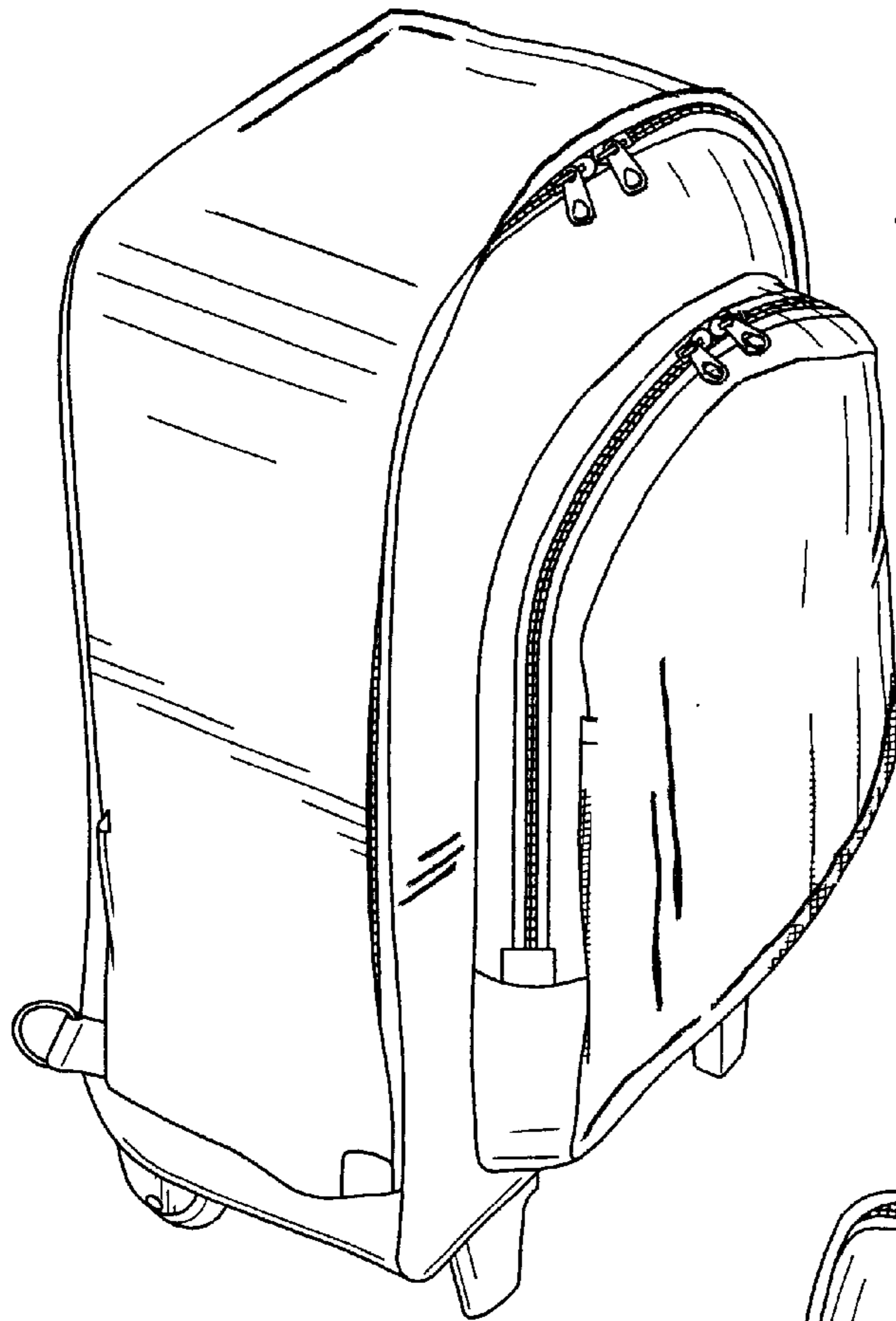


FIG. 1

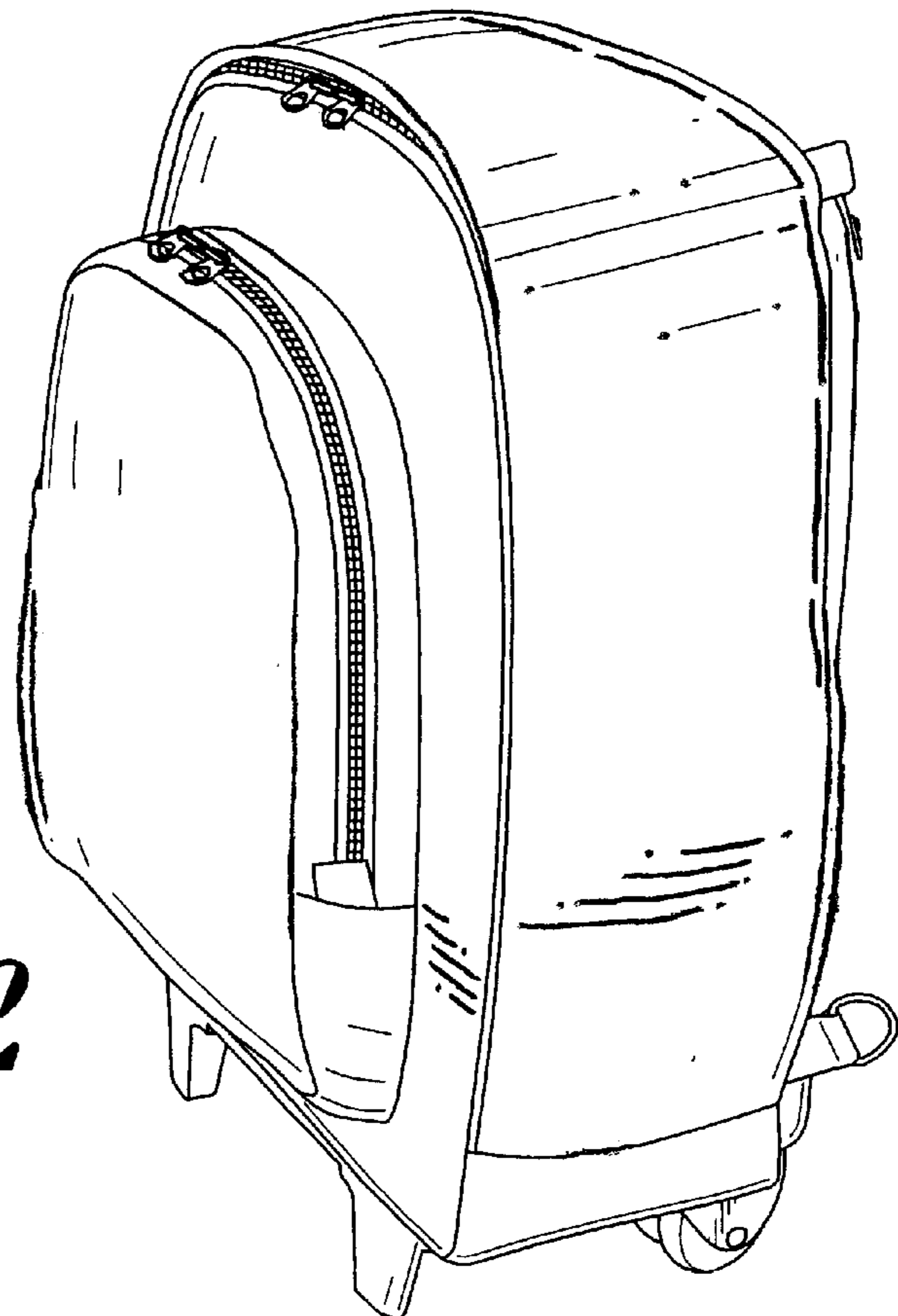


FIG. 2

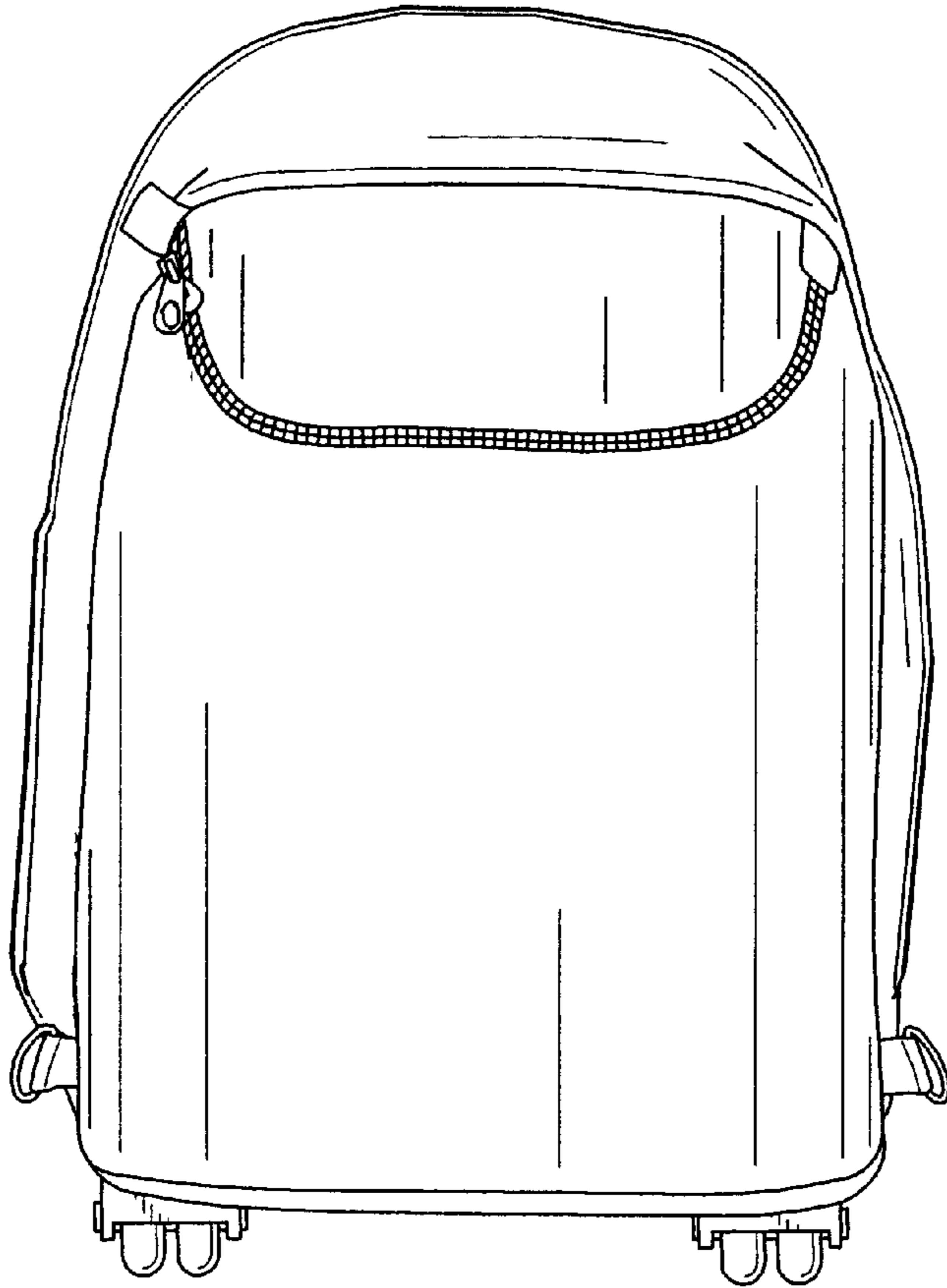


FIG. 3

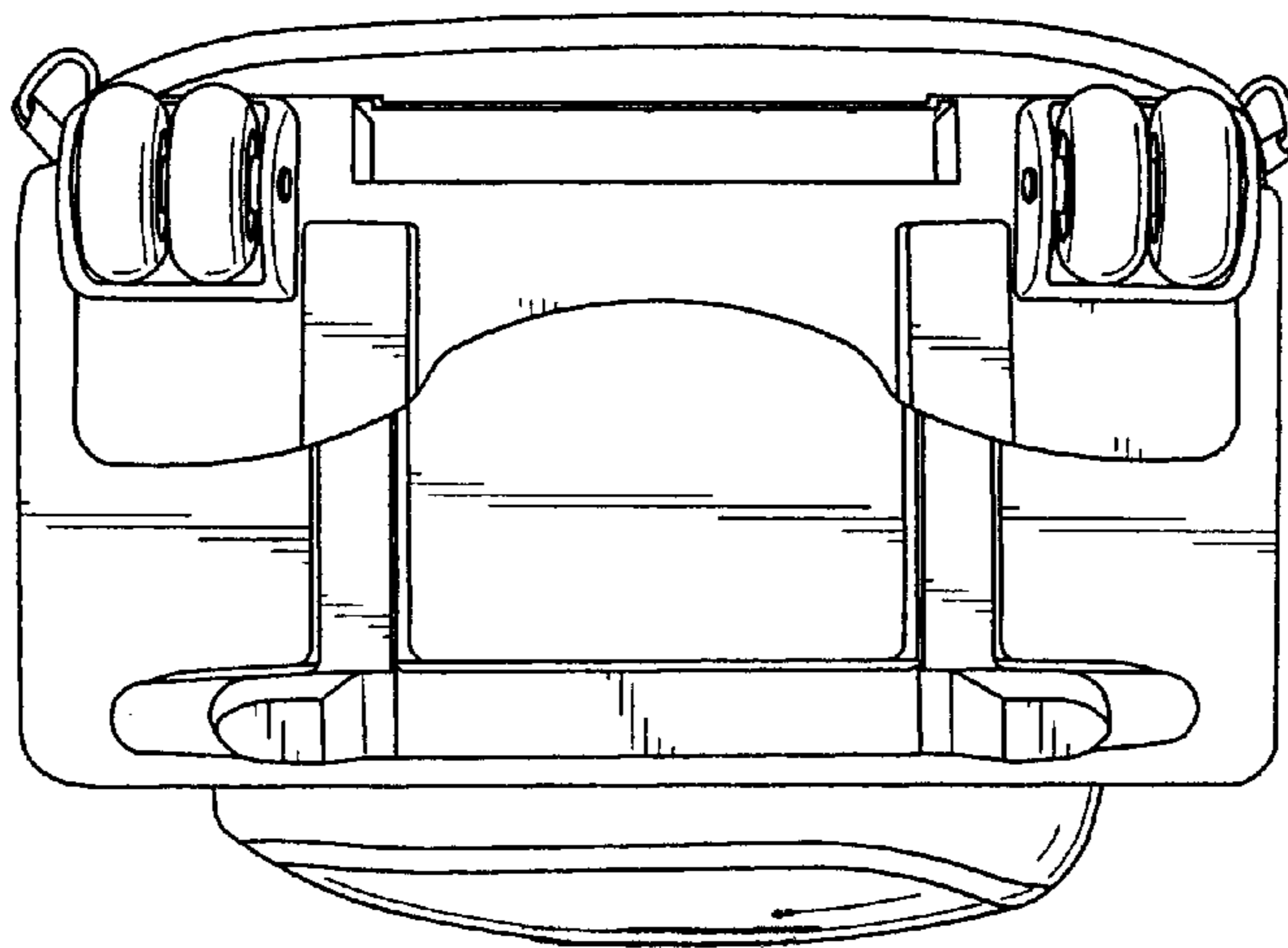
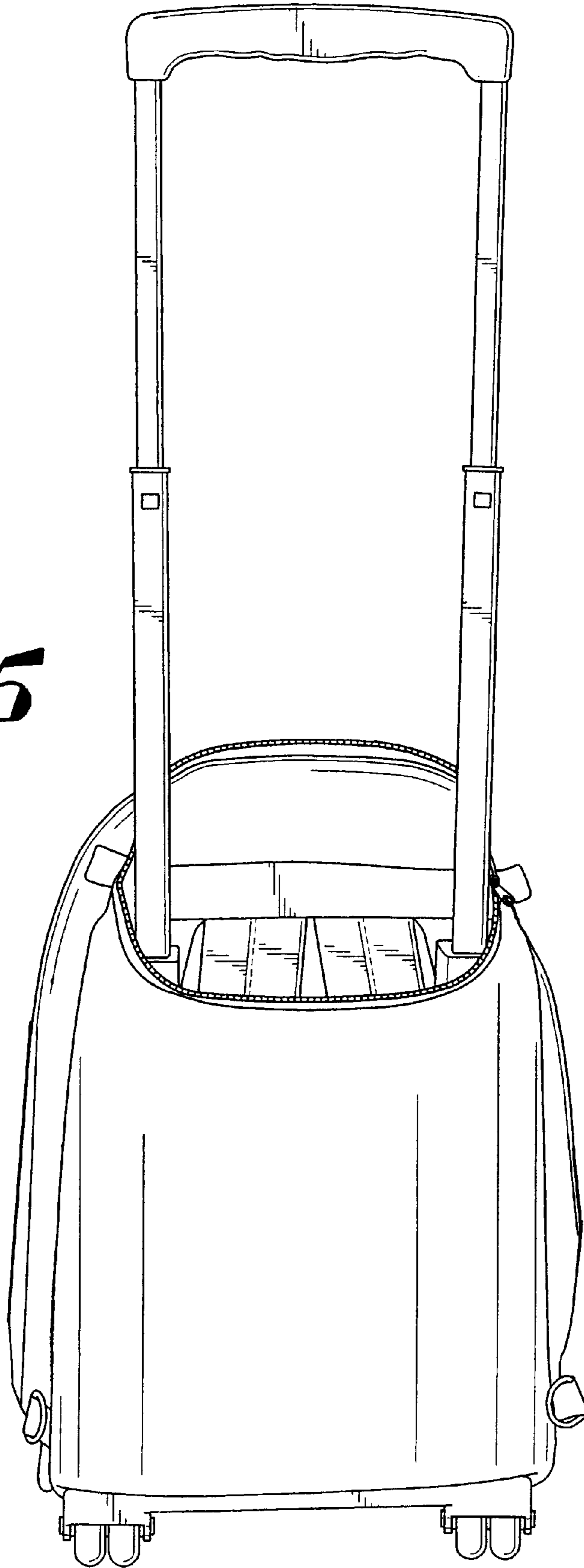


FIG. 4

FIG. 5



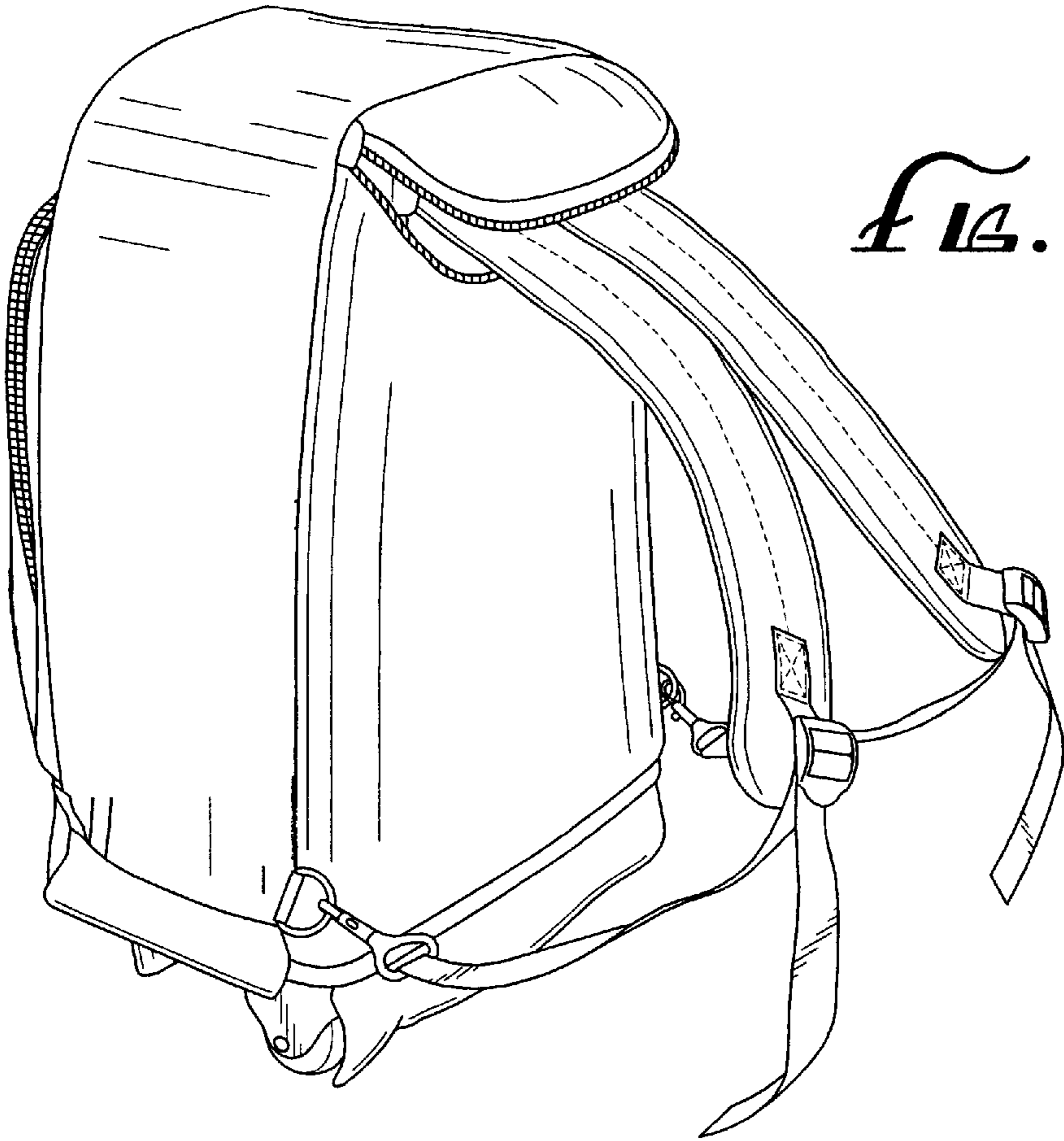


FIG. 6

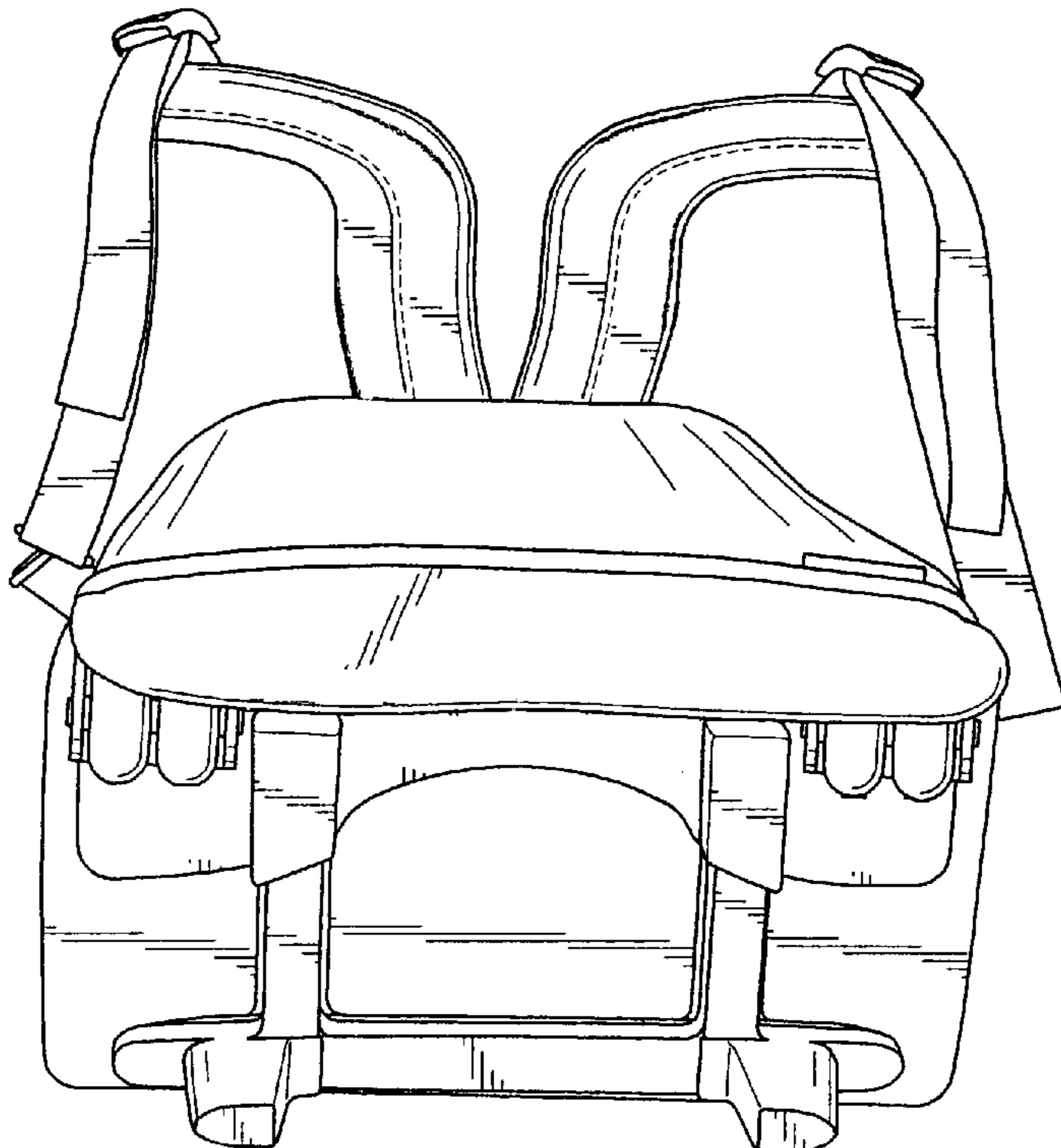


FIG. 7



US00D530513C1

(12) **EX PARTE REEXAMINATION CERTIFICATE** (7663rd)
United States Patent
Oh

(10) **Number:** **US D530,513 C1**

(45) **Certificate Issued:** **Aug. 3, 2010**

(54) **LUGGAGE CONTAINER WITH CONCEALED CARRYING MEANS**

(75) **Inventor:** **Scott Oh**, Carson, CA (US)

(73) **Assignee:** **Luggage America, Inc.**, Carson, CA (US)

Reexamination Request:

No. 90/010,256, Aug. 26, 2008

Reexamination Certificate for:

Patent No.: **Des. 530,513**

Issued: **Oct. 24, 2006**

Appl. No.: **29/223,736**

Filed: **Dec. 5, 2002**

(52) **U.S. Cl.** **D3/279**

(58) **Field of Classification Search** D3/216,
D3/217, 283, 285, 289; 224/153, 580, 627,
224/644; 190/1, 18 A, 39
See application file for complete search history.

(56) **References Cited**

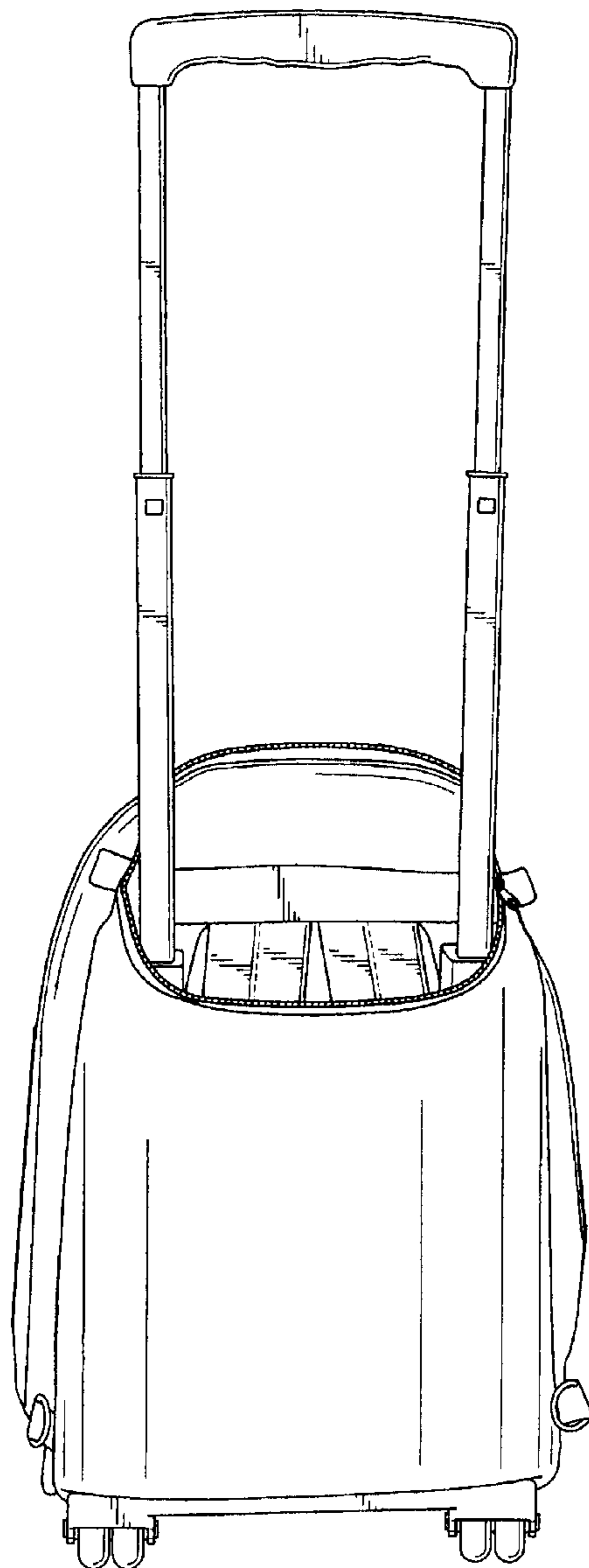
U.S. PATENT DOCUMENTS

D323,237	S	*	1/1992	Zoltie	D3/217
5,361,951	A	*	11/1994	Chehebar	224/153
5,645,146	A	*	7/1997	Bieber et al.	190/18 A
D463,663	S	*	10/2002	Magana	D3/279

* cited by examiner

(51) **LOC (9) Cl.** **03-01**

Primary Examiner—Adir Aronovich



**EX PARTE
REEXAMINATION CERTIFICATE
ISSUED UNDER 35 U.S.C. 307**

AS A RESULT OF REEXAMINATION, IT HAS BEEN
DETERMINED THAT:

The patentability of the sole claim is confirmed.

1. The ornamental design for a luggage container with concealed carrying means, as shown and described.

* * * * *