



US00D530505S

(12) **United States Design Patent**
Mayfield

(10) **Patent No.:** **US D530,505 S**

(45) **Date of Patent:** **** Oct. 24, 2006**

(54) **TOOL HOLDING SYSTEM**

(75) Inventor: **Trevis Lee Mayfield**, Chanute, KS
(US)

(73) Assignee: **Raymond Maloney**, La Harpe, KS
(US)

(**) Term: **14 Years**

(21) Appl. No.: **29/206,004**

(22) Filed: **May 25, 2004**

(51) **LOC (8) Cl.** **03-01**

(52) **U.S. Cl.** **D3/228**

(58) **Field of Classification Search** D3/228,
D3/215, 224, 221, 327-328; 294/147-154;
224/149-150, 250, 257-259, 264, 578-579,
224/910-913

See application file for complete search history.

(56) **References Cited**

U.S. PATENT DOCUMENTS

3,768,711	A	*	10/1973	Wilkinson	294/150
3,960,302	A	*	6/1976	Mazzoni, Jr.	294/150
D457,725	S	*	5/2002	Parsons	D3/327
D488,924	S	*	4/2004	Miller	D3/228
D500,598	S	*	1/2005	Ramos	D3/327
D502,803	S	*	3/2005	Racov et al.	D3/228

* cited by examiner

Primary Examiner—Catherine R. Oliver

(74) *Attorney, Agent, or Firm*—Invention Protection Associates, LLC

(57) **CLAIM**

I claim an ornamental design for a tool holding system, as shown and described.

DESCRIPTION

FIG. 1 is a front elevational view showing my ornamental design for a tool holding system, shown with its belt clip component disengaged from the rest of the system;

FIG. 2 is a rear elevational view showing my ornamental design for a tool holding system, shown with its belt clip component disengaged from the rest of the system;

FIG. 3 is a top plan view showing my ornamental design for a tool holding system, shown with its belt clip component disengaged from the rest of the system;

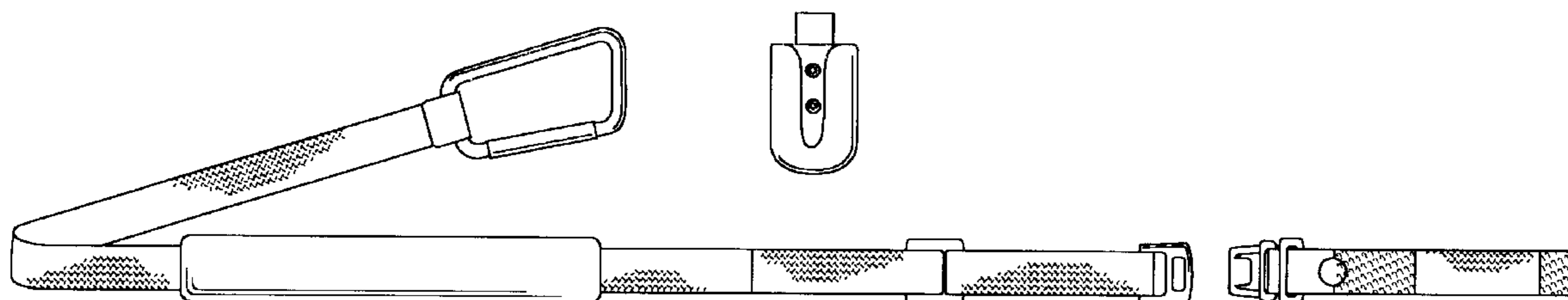
FIG. 4 is a bottom plan view showing my ornamental design for a tool holding system, shown with its belt clip component disengaged from the rest of the system;

FIG. 5 is a front perspective view showing my ornamental design for a tool holding system, shown with its belt clip component disengaged from the rest of the system; and,

FIG. 6 is a schematic front elevational view showing my ornamental design for a tool holding system, shown with the system being used as intended.

The human figure and the work tool shown in phantom in FIG. 6 are shown for illustrative purposes only and form no part of the claimed design.

1 Claim, 6 Drawing Sheets



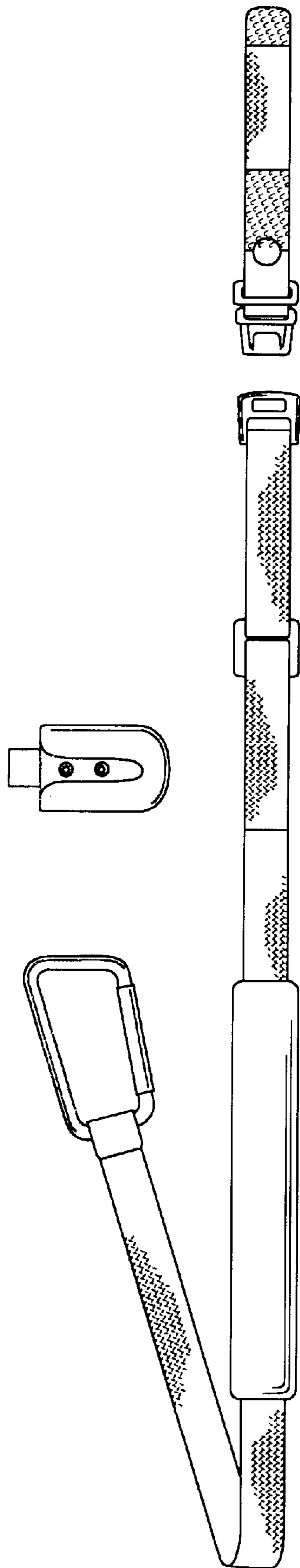


Fig. 1

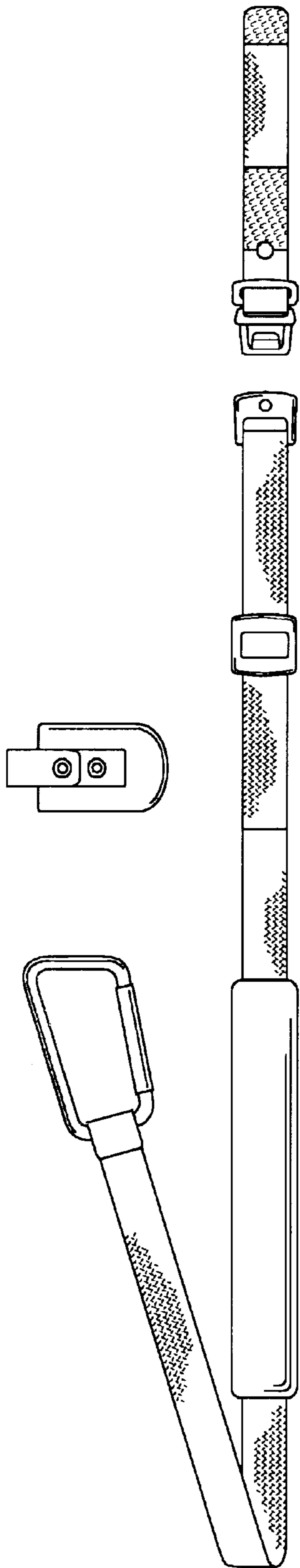


Fig. 2

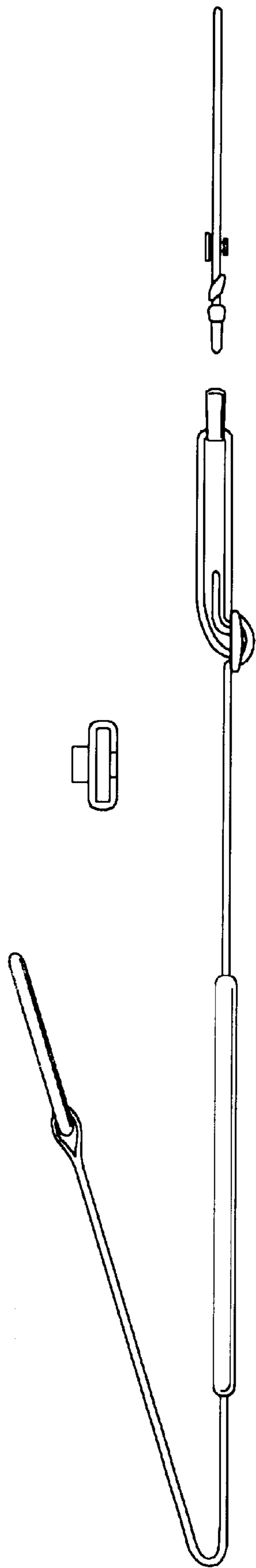


Fig. 3

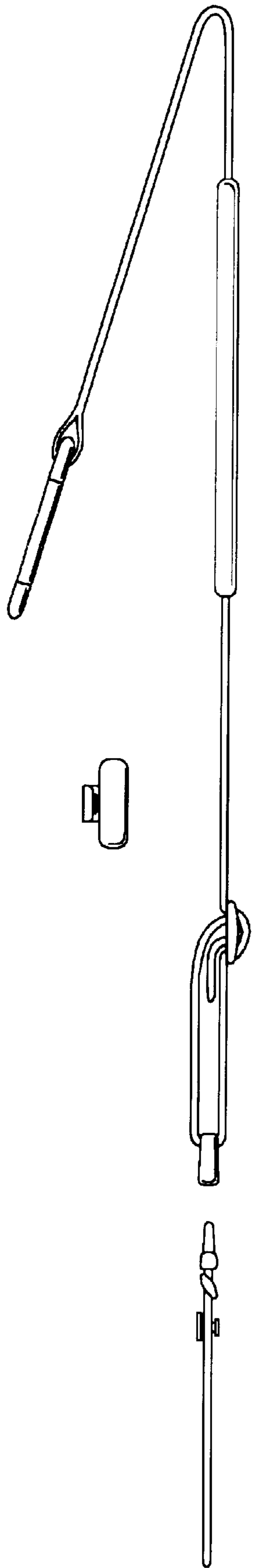


Fig. 4

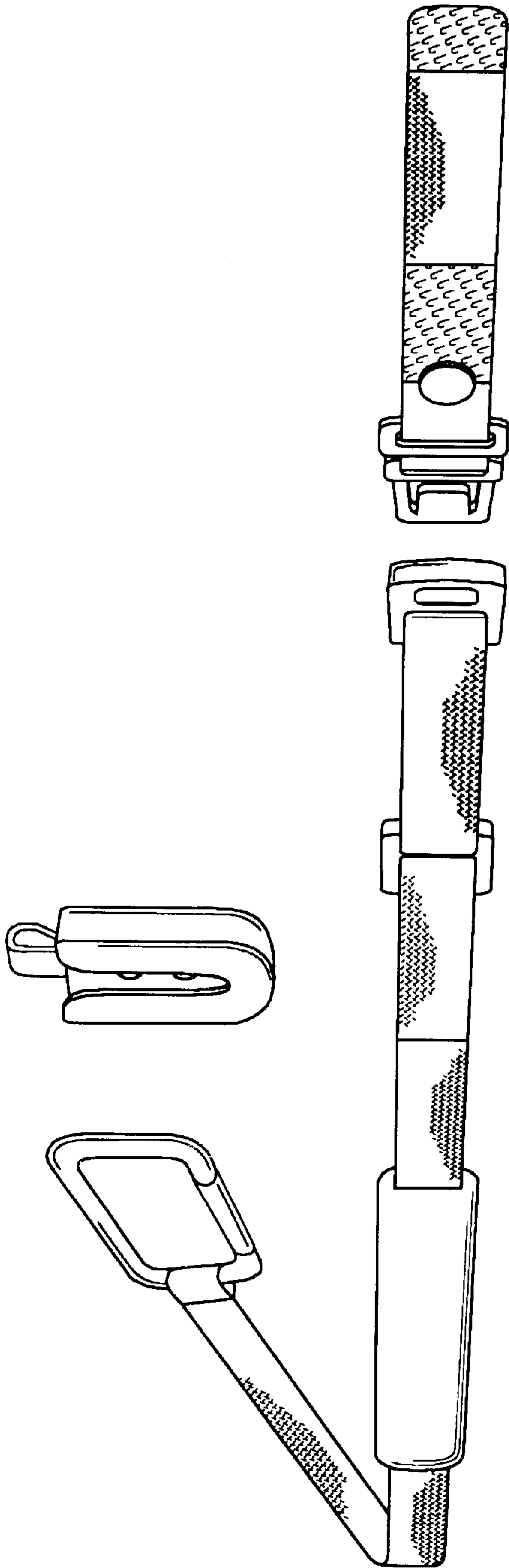


Fig. 5

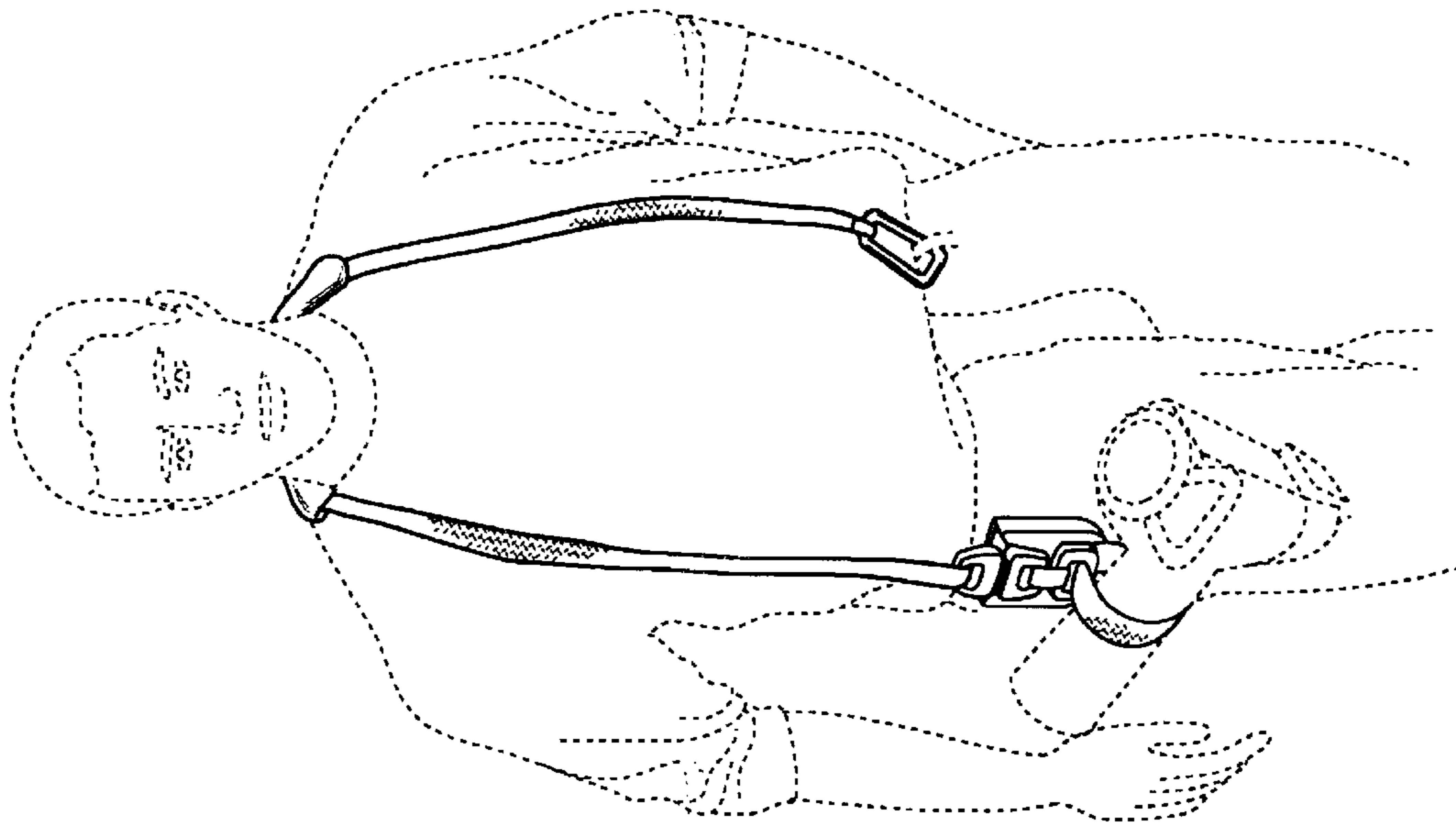


Fig. 6