



US00D530478S

(12) **United States Design Patent** (10) **Patent No.:** **US D530,478 S**  
**Splain et al.** (45) **Date of Patent:** **\*\* Oct. 17, 2006**

(54) **SHOPPING CART**

OTHER PUBLICATIONS

(75) Inventors: **William D. Splain**, Brooklyn Park, MN (US); **Robert D. Peota**, Minneapolis, MN (US); **Alexandre Hennen**, Cambridge, MA (US); **Allan Cameron**, Natick, MA (US); **Mark T. Ryan**, Haskell, OK (US); **David L. Pruitt, Jr.**, Brookland, AR (US)

Pending U.S. Appl. No. 11/231,283, inventor Peota et al., filed Sep. 19, 2005.

(Continued)

*Primary Examiner*—Alan P. Douglas  
*Assistant Examiner*—Kevin K. Rudzinski  
(74) *Attorney, Agent, or Firm*—Dicke, Billig & Czaja, P.L.L.C.

(73) Assignee: **Target Brands, Inc.**, Minneapolis, MN (US)

(57) **CLAIM**

(\*\*) Term: **14 Years**

The ornamental design for a shopping cart, as shown and described.

(21) Appl. No.: **29/238,739**

**DESCRIPTION**

(22) Filed: **Sep. 19, 2005**

(51) **LOC (8) Cl.** ..... **12-02**

(52) **U.S. Cl.** ..... **D34/27**

(58) **Field of Classification Search** ..... D34/12-27;  
40/308, 506; 280/33.992, 33.991, 33.99,  
280/47.34, 79.11; 220/334

See application file for complete search history.

FIG. 1 is an isometric view of a shopping cart according to an embodiment of the invention, with elements in dashed lines forming no part of the claimed design.

FIG. 2 is a front view of a shopping cart, according to an embodiment of the invention, with elements in dashed lines forming no part of the claimed design and a dashed box identifying a portion of shopping cart illustrated in FIG. 2A.

FIG. 2A is an enlarged front view of a portion of the shopping cart shown in the dashed box of FIG. 2, according to an embodiment of the invention, with elements in dashed lines forming no part of the claimed design.

FIG. 3 is a rear view of a shopping cart, according to an embodiment of the invention, with elements in dashed lines forming no part of the claimed design.

FIG. 4 is a right side view of a shopping cart, according to an embodiment of the invention, with elements in dashed lines forming no part of the claimed design.

FIG. 5 is a top view of a shopping cart, according to an embodiment of the invention.

FIG. 6 is a bottom view of a shopping cart, according to an embodiment of the invention, with elements in dashed lines forming no part of the claimed design; and,

FIG. 7 is a left side view of a shopping cart, according to an embodiment of the invention, with elements in dashed lines forming no part of the claimed design.

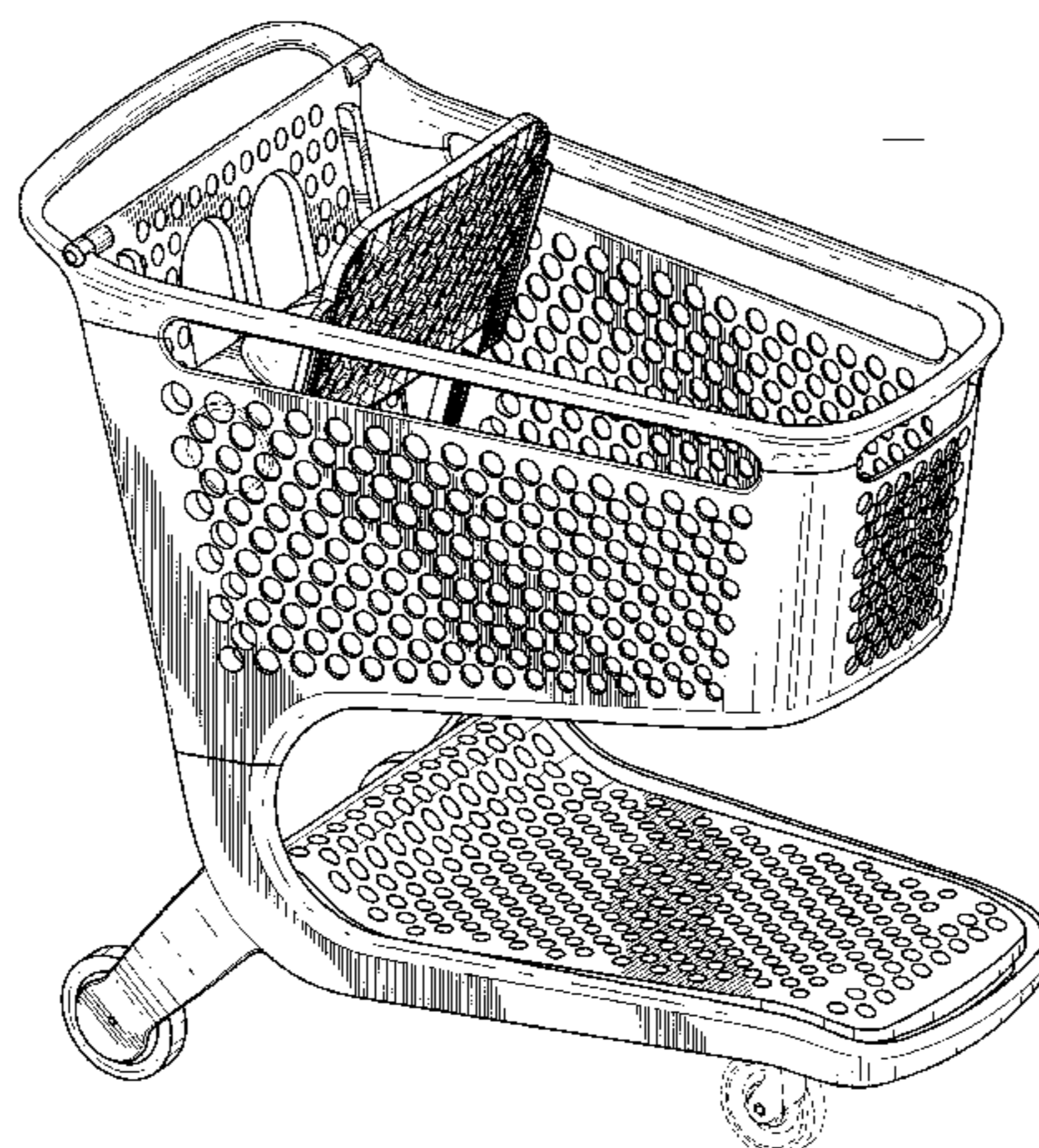
(56) **References Cited**

U.S. PATENT DOCUMENTS

2,479,530	A	8/1949	Watson	
D155,971	S	11/1949	Concklin	
D156,702	S	1/1950	Concklin	
2,527,953	A	10/1950	Muffley	
2,906,542	A	9/1959	Hoedinghaus et al.	
3,195,912	A	7/1965	Howard et al.	
3,346,271	A	10/1967	Parsons	
3,614,133	A	* 10/1971	Ganci et al. ....	280/33.991
3,999,774	A	12/1976	Rehrig	
4,046,394	A	9/1977	Thompson et al.	
D247,953	S	5/1978	Rehrig	
4,123,077	A	10/1978	Joseph	
4,139,098	A	2/1979	Mollon	
4,273,346	A	6/1981	Rehrig	
4,376,502	A	3/1983	Cohen	
4,478,344	A	10/1984	Rehrig	

(Continued)

**1 Claim, 8 Drawing Sheets**



U.S. PATENT DOCUMENTS

4,537,413 A 8/1985 Rehrig  
 4,555,123 A 11/1985 Rehrig  
 4,632,411 A 12/1986 Badger  
 4,650,199 A 3/1987 Rehrig  
 D294,419 S 2/1988 Rehrig  
 D296,259 S 6/1988 Rehrig  
 4,865,338 A 9/1989 Rehrig  
 4,922,639 A 5/1990 Rehrig  
 D311,983 S 11/1990 Rehrig  
 D317,219 S 5/1991 Rehrig  
 D326,550 S 5/1992 Waterman  
 5,111,604 A 5/1992 Rehrig  
 5,203,578 A 4/1993 Davidson et al.  
 5,210,968 A 5/1993 Rehrig  
 5,255,930 A 10/1993 Jones et al.  
 5,289,936 A 3/1994 Jones et al.  
 5,331,756 A 7/1994 Rehrig  
 5,368,318 A 11/1994 Rehrig et al.  
 5,441,288 A 8/1995 Rehrig  
 5,458,347 A 10/1995 Chiv  
 D364,961 S 12/1995 Rehrig  
 D377,255 S 1/1997 Rehrig  
 D382,999 S 9/1997 Rehrig  
 D384,815 S 10/1997 Rehrig  
 D400,679 S 11/1998 Kern et al.  
 5,865,448 A 2/1999 Kern et al.  
 5,871,286 A 2/1999 Kern et al.  
 5,915,704 A 6/1999 Segura de Luna  
 D412,046 S 7/1999 Rehrig et al.  
 5,947,313 A 9/1999 Kern et al.  
 5,961,133 A \* 10/1999 Perry ..... 280/33.993  
 6,155,580 A 12/2000 Symons  
 D443,968 S 6/2001 Porter  
 D445,231 S 7/2001 Porter  
 6,270,093 B1 8/2001 Johnson et al.  
 D468,880 S 1/2003 Porter  
 D470,292 S 2/2003 Johnson et al.  
 6,540,240 B1 4/2003 Nadeau et al.  
 6,572,122 B1 6/2003 Johnson et al.  
 6,669,212 B1 12/2003 Porter  
 6,705,623 B1 3/2004 Nadeau et al.  
 6,761,364 B1 \* 7/2004 Murar et al. .... 280/33.991  
 6,805,365 B1 10/2004 Lantz  
 6,983,944 B1 \* 1/2006 Bergia ..... 280/33.991  
 2002/0135144 A1 \* 9/2002 Murar et al. .... 280/33.991

2003/0116933 A1 \* 6/2003 Nadeau et al. .... 280/33.991

OTHER PUBLICATIONS

Pending U.S. Appl. No. 11/231,307, inventor Splain et al., filed Sep. 19, 2005.  
 Pending U.S. Appl. No. 11/231,313, inventor Splain et al., filed Sep. 19, 2005.  
 Pending U.S. Appl. No. 11/231,343, inventor Splain et al., filed Sep. 19, 2005.  
 Pending U.S. Appl. No. 11/231,344, inventor Splain et al., filed Sep. 19, 2005.  
 Pending U.S. Appl. No. 11/231,364, inventor Splain et al., filed Sep. 19, 2005.  
 The Supercart Grocer Trolley web page, Supercart, available at <http://www.supercart.com/supercart/page.asp?SectionID=2&PageID=5>; printed out May 13, 2005. (1 page).  
 The Full Size all-plastic Supercart trolley web page, Supercart, available at <http://www.supercart.com/supercart/page.asp?SectionID=2&PageID=6>; printed out May 13, 2005. (2 pages).  
 Photo of Cart Icon from Greeley, Colorado, icon on public display 2<sup>nd</sup> Quarter 2004.  
 Photos (pp. 2) of SuperCart Shopping Trolley at Euroshop Tradeshow in Dusseldorf, Germany in Feb. 19–23, 2005.  
 ARRK Prototype Brochure (pp. 2) documenting Supercart Trolley display in Feb. 19–23, 2005.  
 Photo A of Handbasket on display at Euroshop Tradeshow in Dusseldorf, Germany in Feb. 19–23, 2005.  
 Photo B of Handbasket on display at Euroshop Tradeshow in Dusseldorf, Germany in Feb. 19–23, 2005.  
 Plastic shopping cart web page, IPT, Inc., available at [http://www.inplastech.com/Products\\_EX11575WM\\_LG.asp](http://www.inplastech.com/Products_EX11575WM_LG.asp); printed out Jan. 24, 2006. (2 pages).  
 The Supercart Hyper Trolley web page, Supercart, available at <http://www.supercart.com/supercart/page.asp?SectionID=2&PageID=3>; printed out May 13, 2005. (1 page).  
 The Supercart Mid Size Supercart Trolley web page, Supercart, available at <http://www.supercart.com/supercart/page.asp?SectionID=2&PageID=4>; printed out May 13, 2005. (1 page).

\* cited by examiner

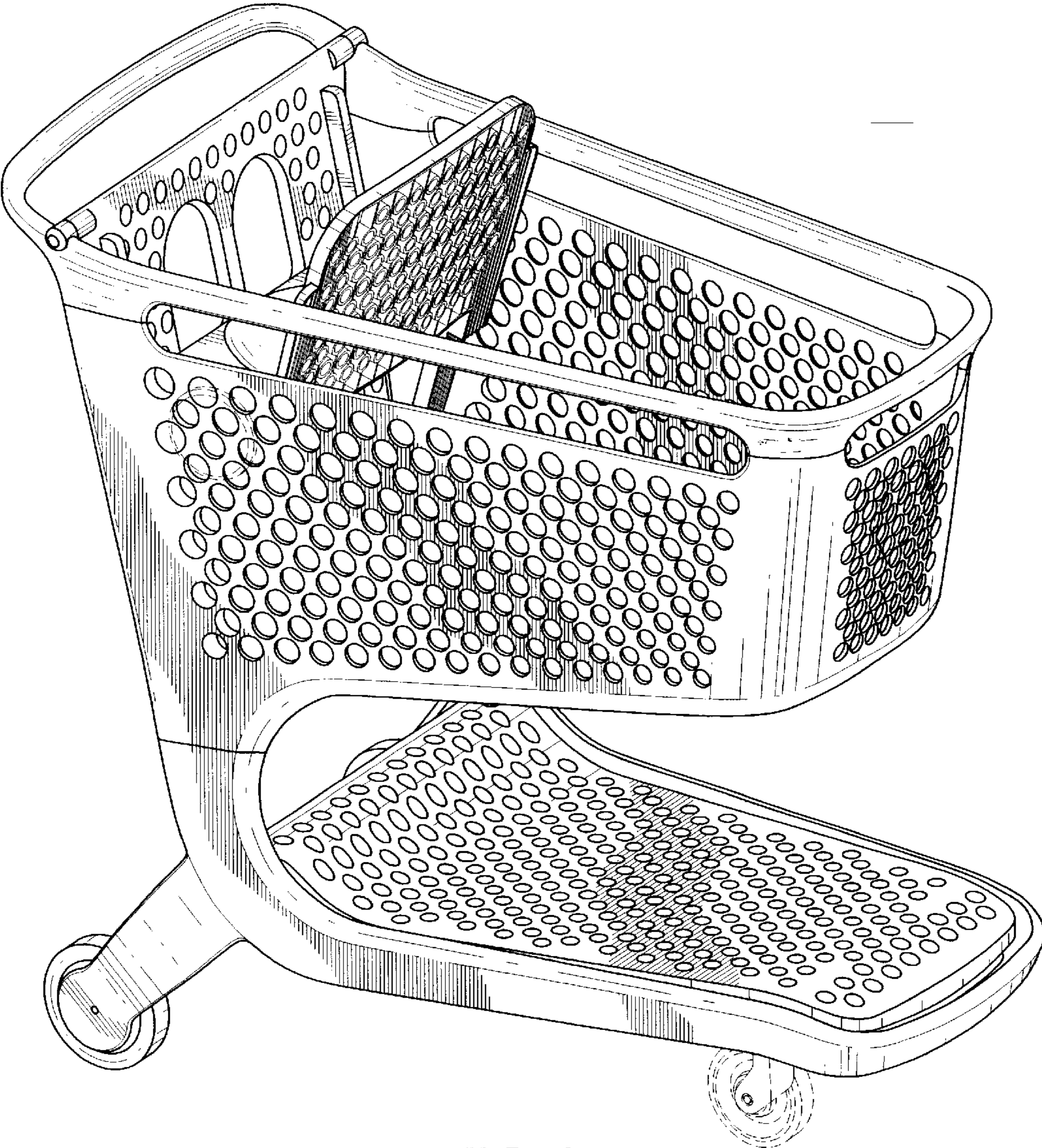


FIG. 1

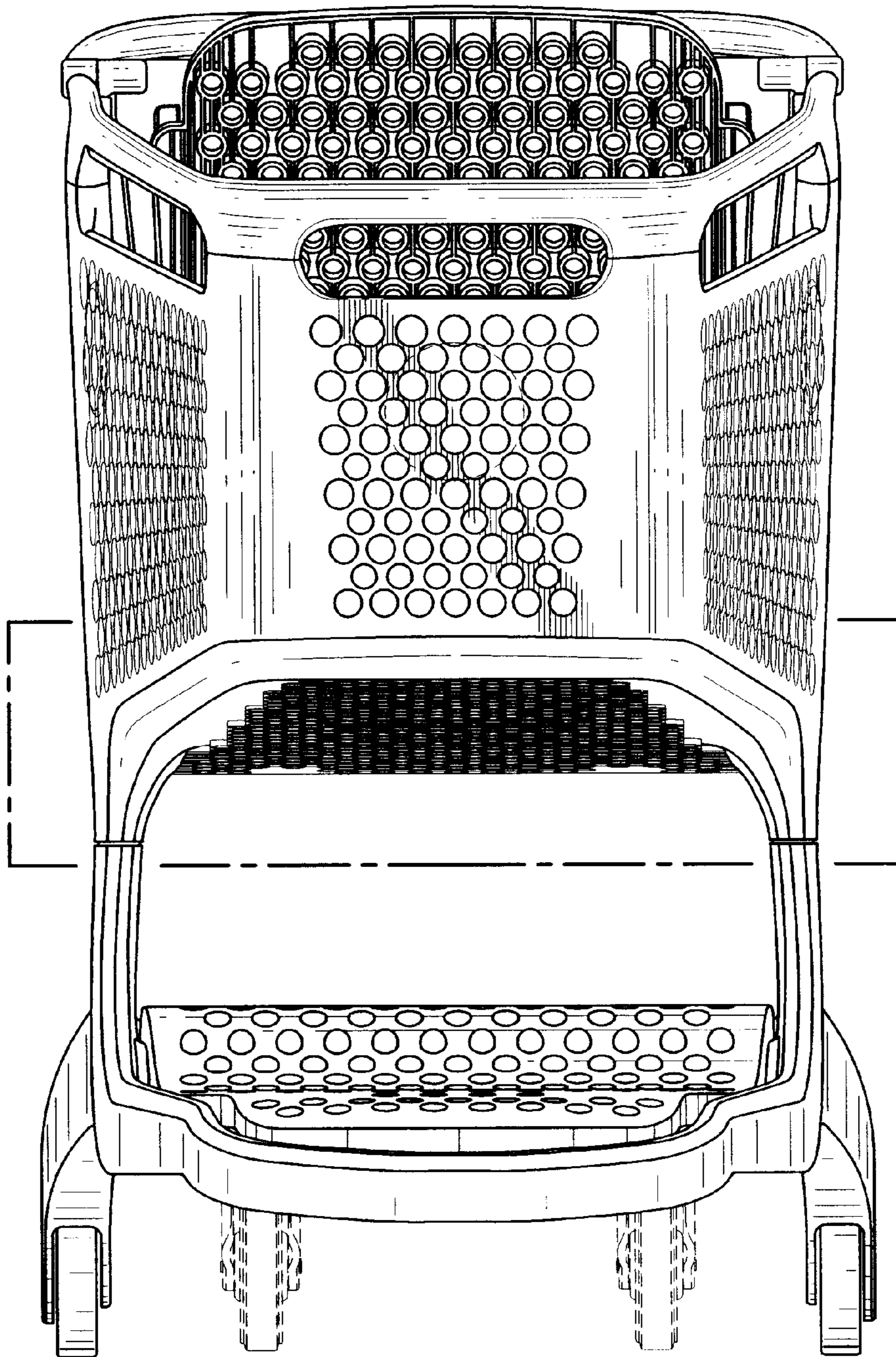


FIG.2

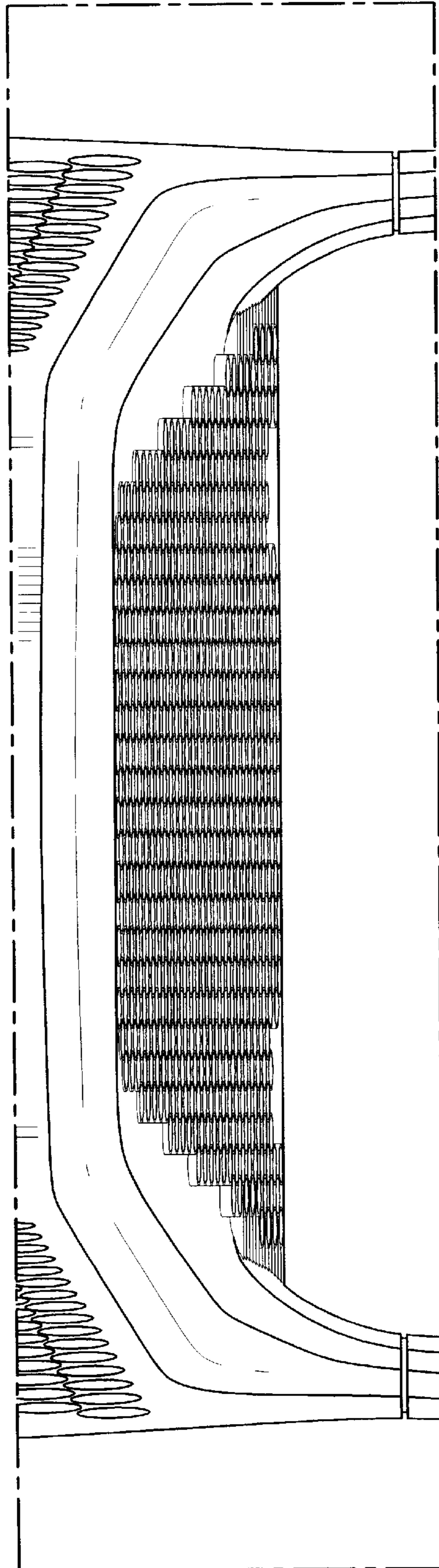


FIG. 2A

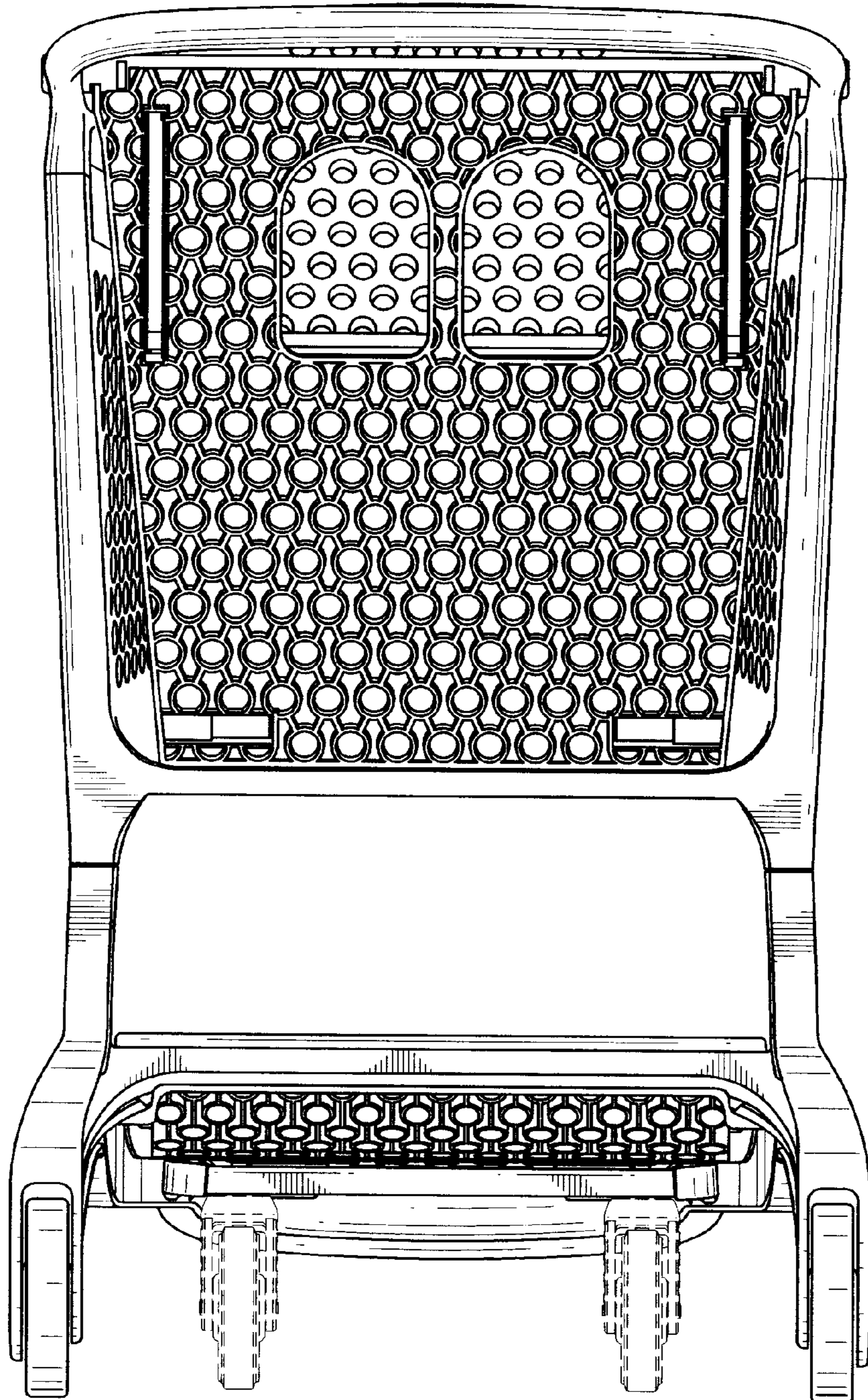


FIG. 3

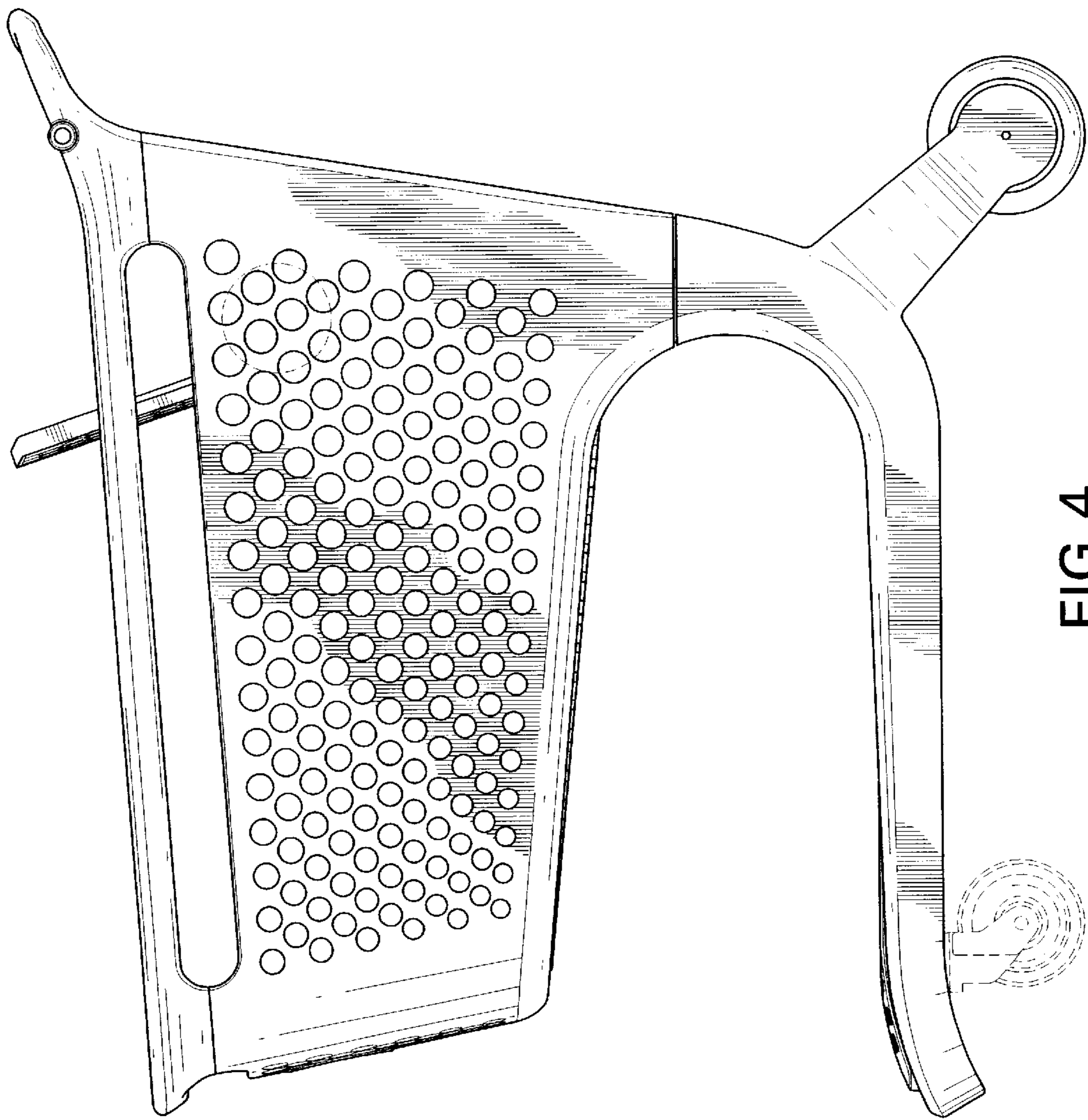


FIG. 4

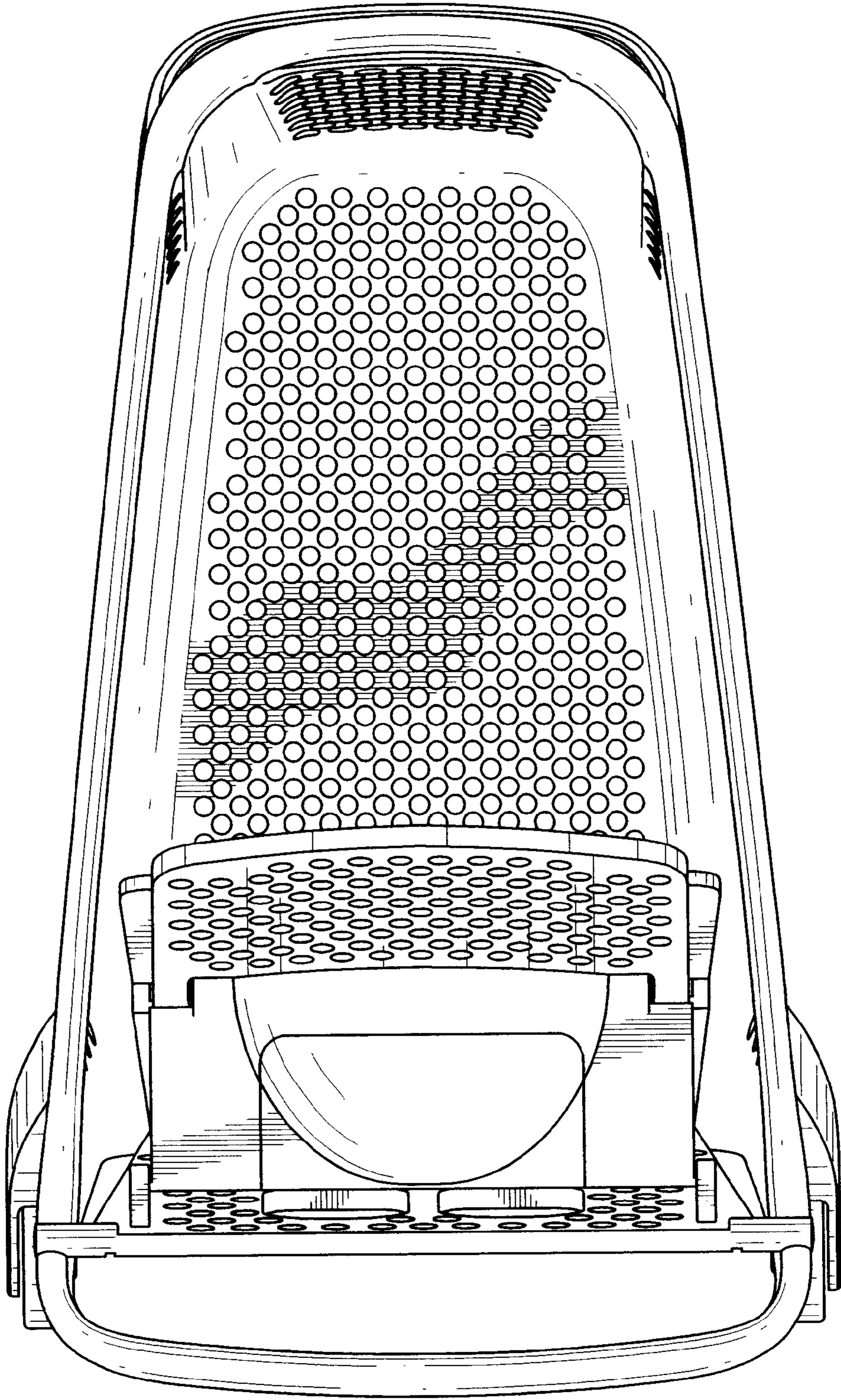


FIG. 5



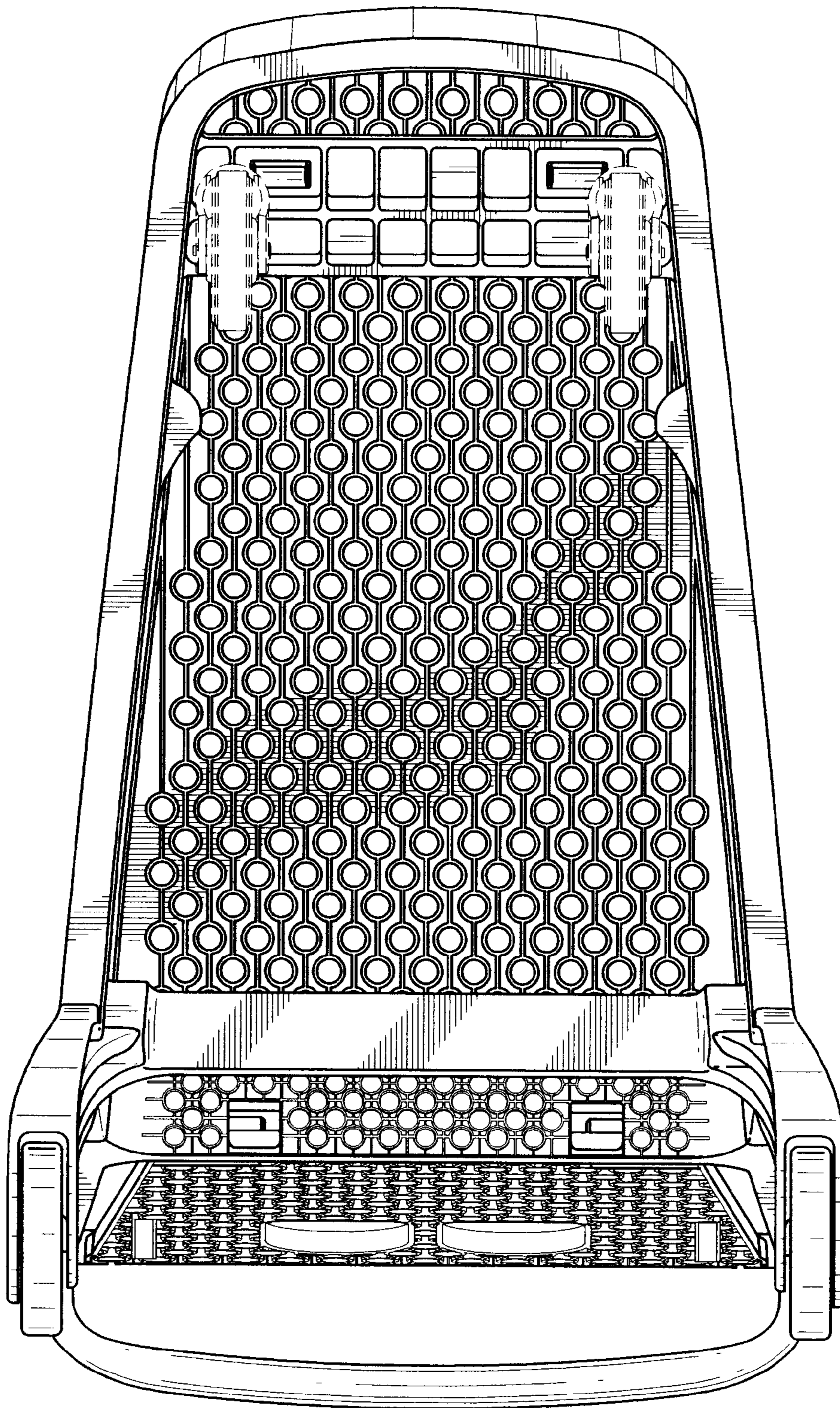


FIG. 6

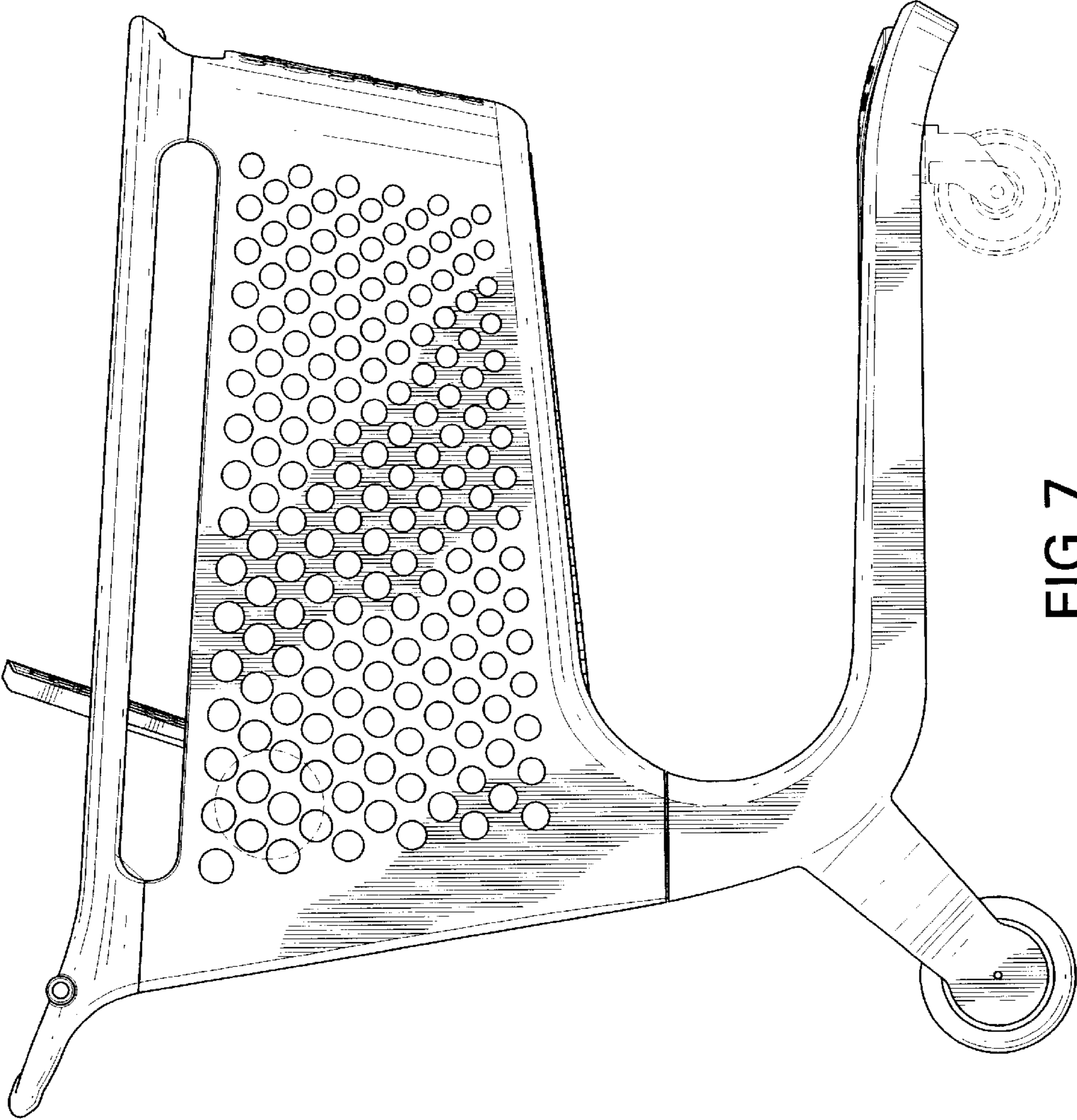


FIG. 7