



US00D530472S

(12) **United States Design Patent**
Konno et al.

(10) **Patent No.:** **US D530,472 S**

(45) **Date of Patent:** **** Oct. 17, 2006**

(54) **ELECTRIC VACUUM CLEANER**

(75) Inventors: **Kiyooki Konno**, Nara (JP); **Morgan S. Brown**, Danville, KY (US)

(73) Assignees: **Matsushita Electric Industrial Co., Ltd.**, Kadoma (JP); **Panasonic Corporation of North America**, Secaucus, NJ (US)

(**) Term: **14 Years**

(21) Appl. No.: **29/225,476**

(22) Filed: **Mar. 17, 2005**

(51) **LOC (8) Cl.** **15-05**

(52) **U.S. Cl.** **D32/31**

(58) **Field of Classification Search** D32/21,
D32/22-23, 31, 34; 15/320-321, 327.1, 327.2,
15/323, 329, 334-335, 347, 350, 351, 353,
15/361, 410-411, DIG. 10; 55/346, DIG. 3,
55/459.1, 337, 429; 95/271

See application file for complete search history.

(56) **References Cited**

U.S. PATENT DOCUMENTS

4,571,772 A	2/1986	Dyson	
D309,203 S	7/1990	Goodrich	
5,101,532 A	4/1992	Dyson et al.	
5,145,499 A	9/1992	Dyson	
D343,707 S	1/1994	Dyson	
D365,669 S	12/1995	Piccaluga et al.	
D407,874 S	4/1999	Burchard et al.	
D429,776 S	8/2000	Gammack et al.	
D435,945 S	1/2001	Ikeno et al.	
D439,379 S	3/2001	Gammack et al.	
D439,381 S	* 3/2001	Saunders et al. D32/31
D443,004 S	5/2001	Chan	

D452,758 S	*	1/2002	Yokoyama et al.	D32/22
6,341,404 B1		1/2002	Salo et al.		
D459,561 S	*	6/2002	Leyden	D32/22
D460,227 S	*	7/2002	Leyden	D32/31
D460,229 S	*	7/2002	Zahuranec et al.	D32/31
D462,814 S		9/2002	Sugimoto		
D463,078 S		9/2002	Harada		
D485,026 S		1/2004	Brown		
D485,027 S	*	1/2004	Brown	D32/22
D485,029 S	*	1/2004	Brown	D32/31
D485,655 S	*	1/2004	Parr et al.	D32/31
D487,948 S		3/2004	Kent		
D498,887 S	*	11/2004	Kent	D32/22

* cited by examiner

Primary Examiner—Ruth McInroy

(74) *Attorney, Agent, or Firm*—Oblon, Spivak, McClelland, Maier & Neustadt, P.C.

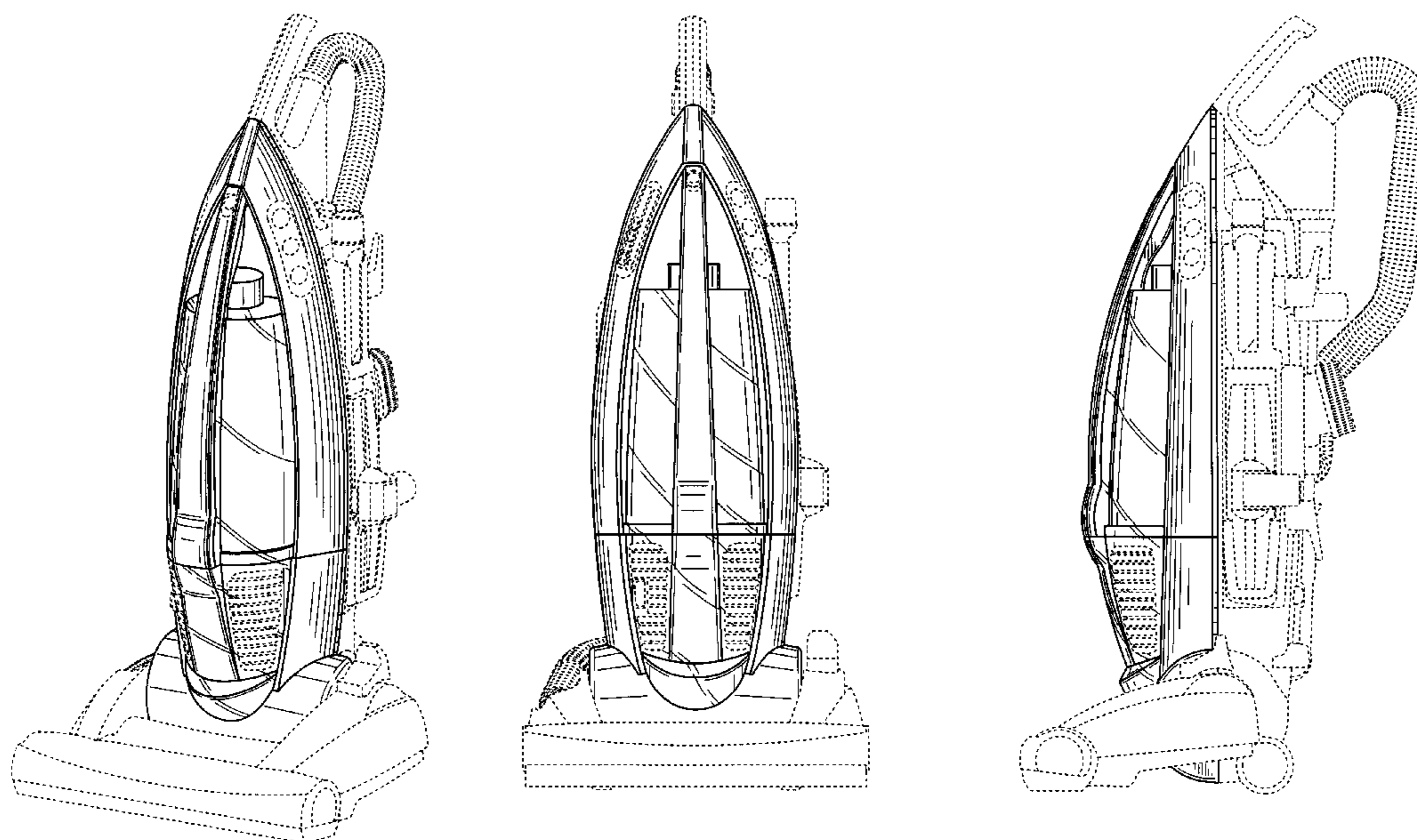
(57) **CLAIM**

The ornamental design for an electric vacuum cleaner, as shown and described.

DESCRIPTION

FIG. 1 is a top and right front perspective view of an electric vacuum cleaner showing our design; FIG. 2 is a front elevational view thereof; FIG. 3 is a right side elevational view thereof; FIG. 4 is a left side elevational view thereof; FIG. 5 is a top plan view thereof; FIG. 6 is a bottom plan view thereof; FIG. 7 is a rear elevational view thereof; and, FIG. 8 is a right side elevational view thereof shown when in use for emptying of the container for the cleaner. The phantom line showing in the Figures is for illustrative purposes and forms no part of the claimed invention.

1 Claim, 8 Drawing Sheets



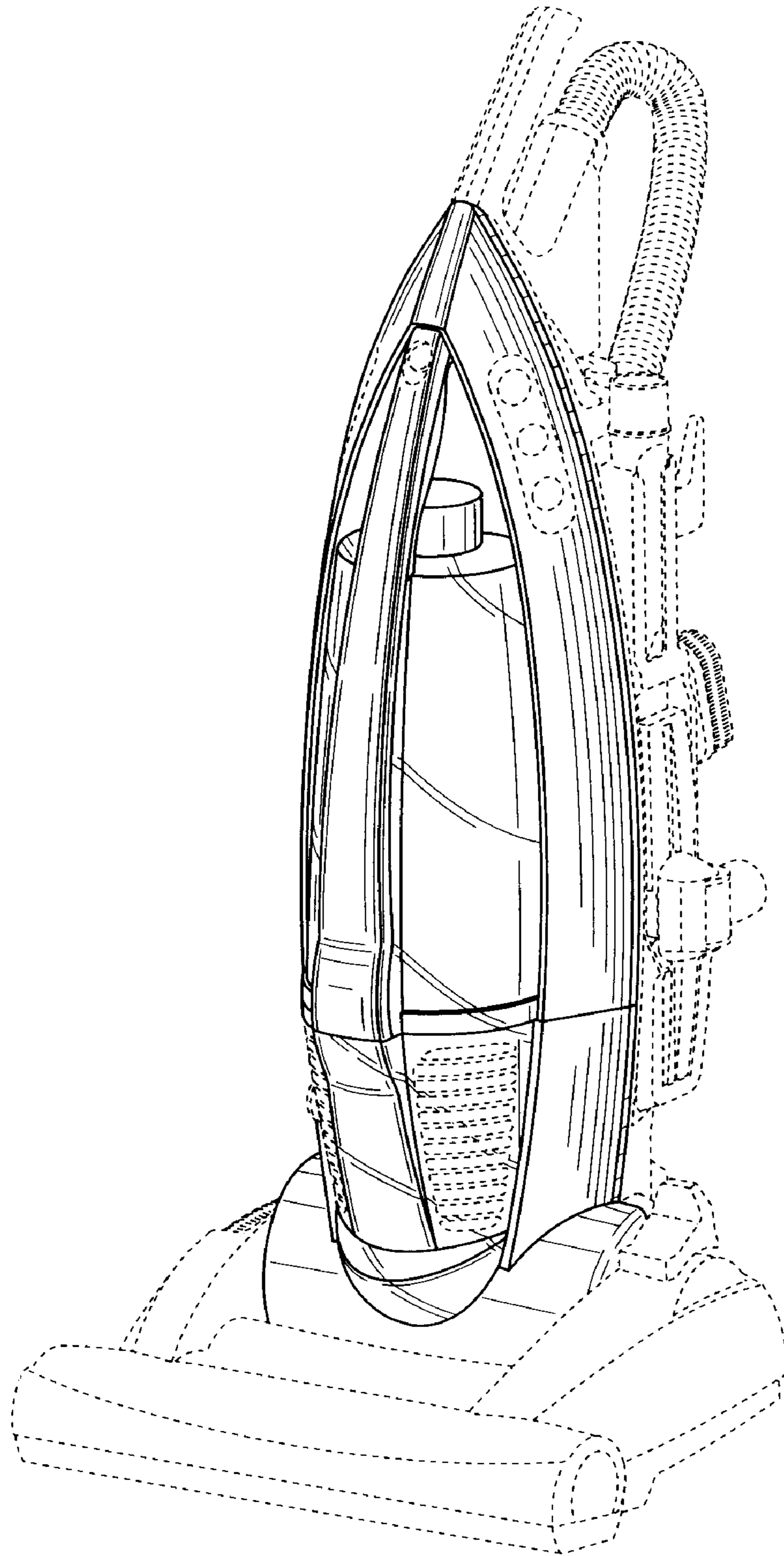


FIG. 1

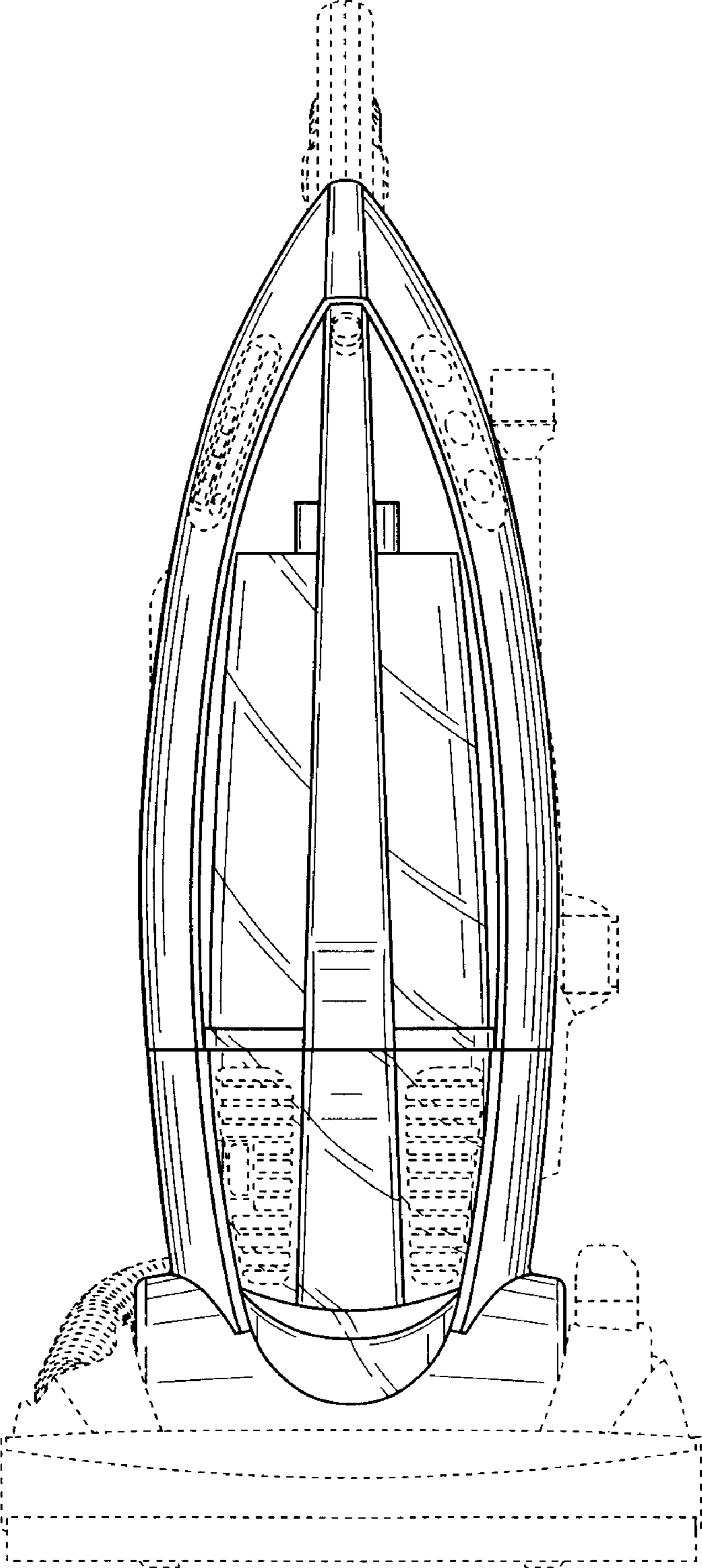


FIG. 2

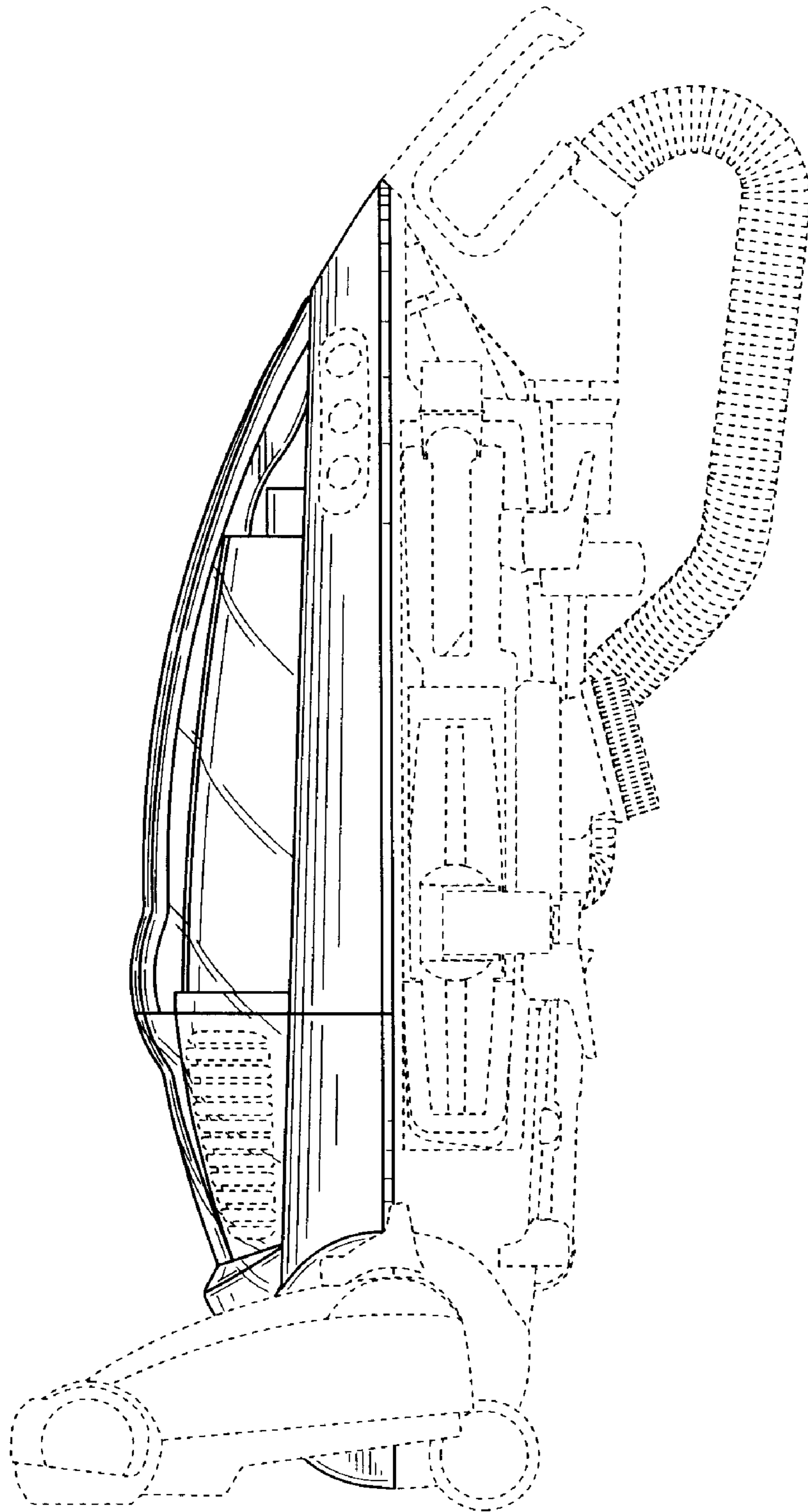


FIG. 3

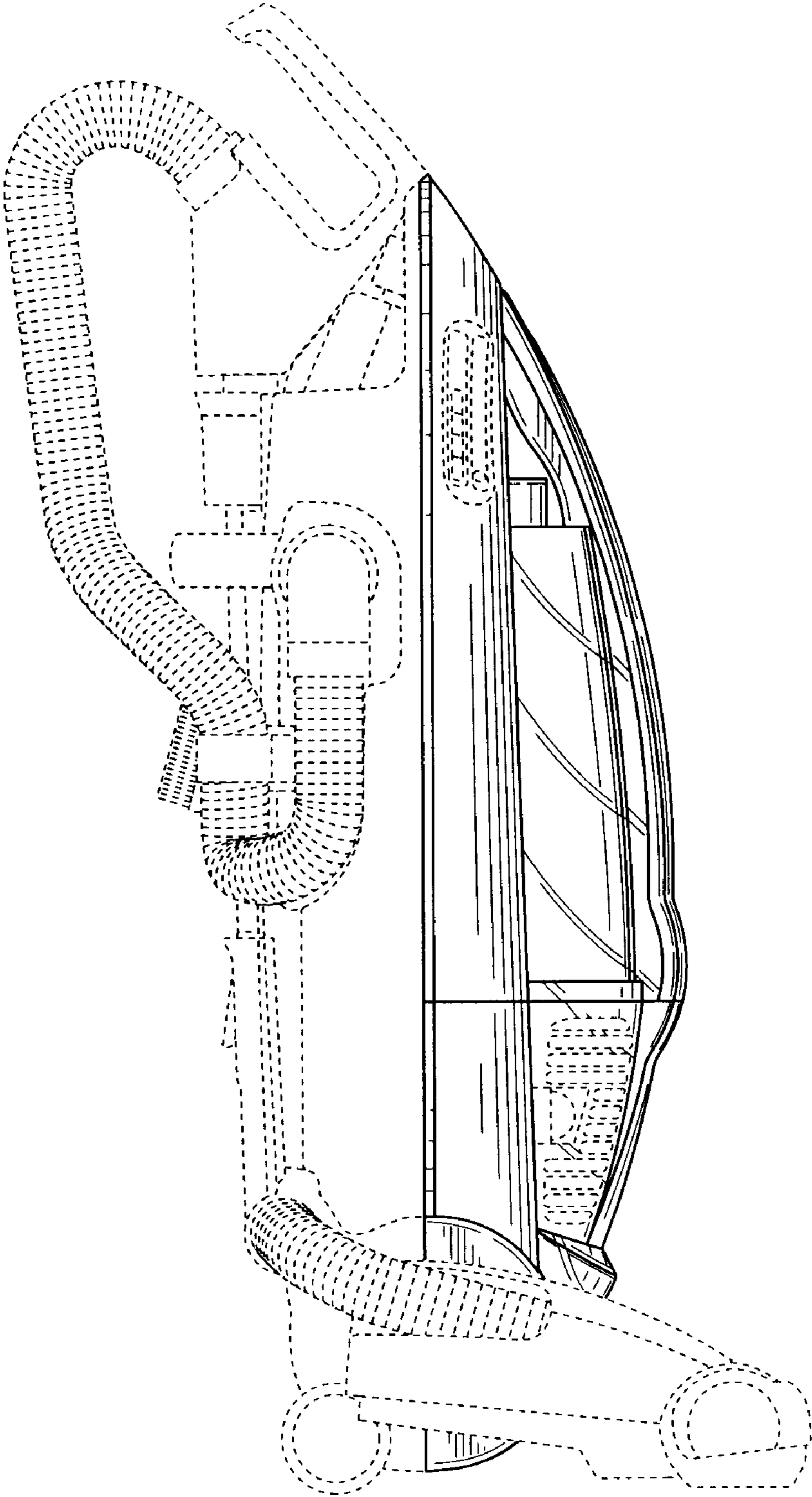


FIG. 4

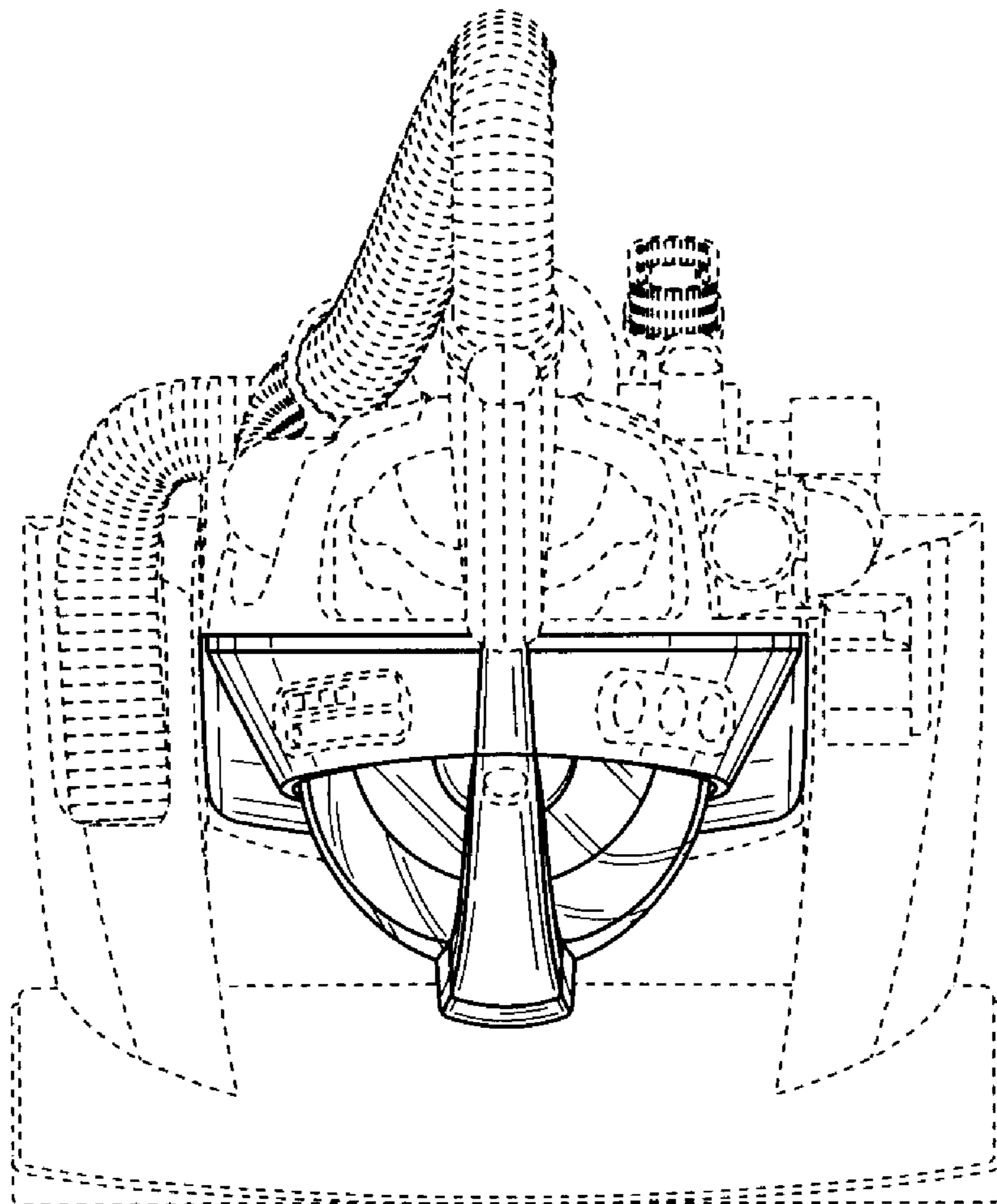


FIG. 5

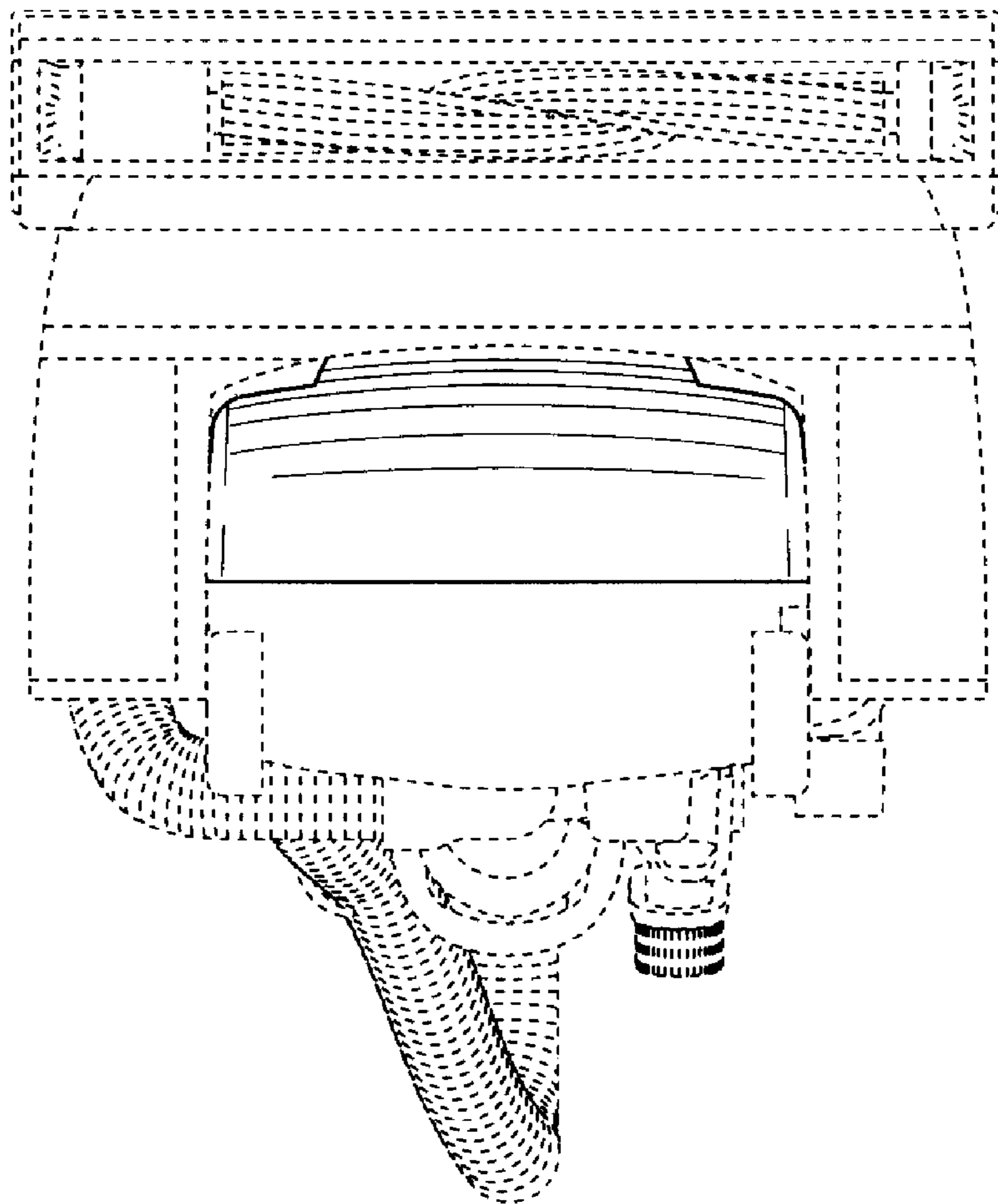


FIG. 6

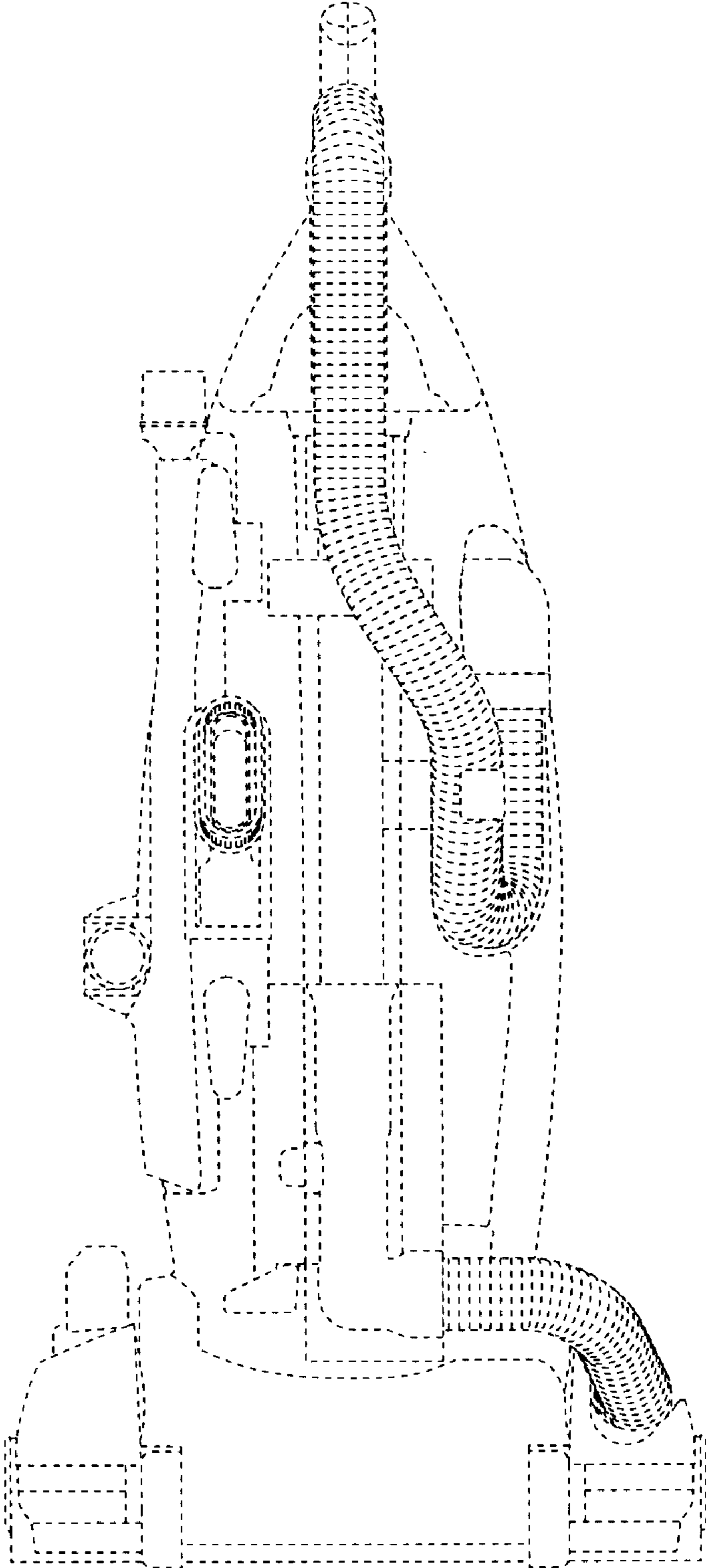


FIG. 7

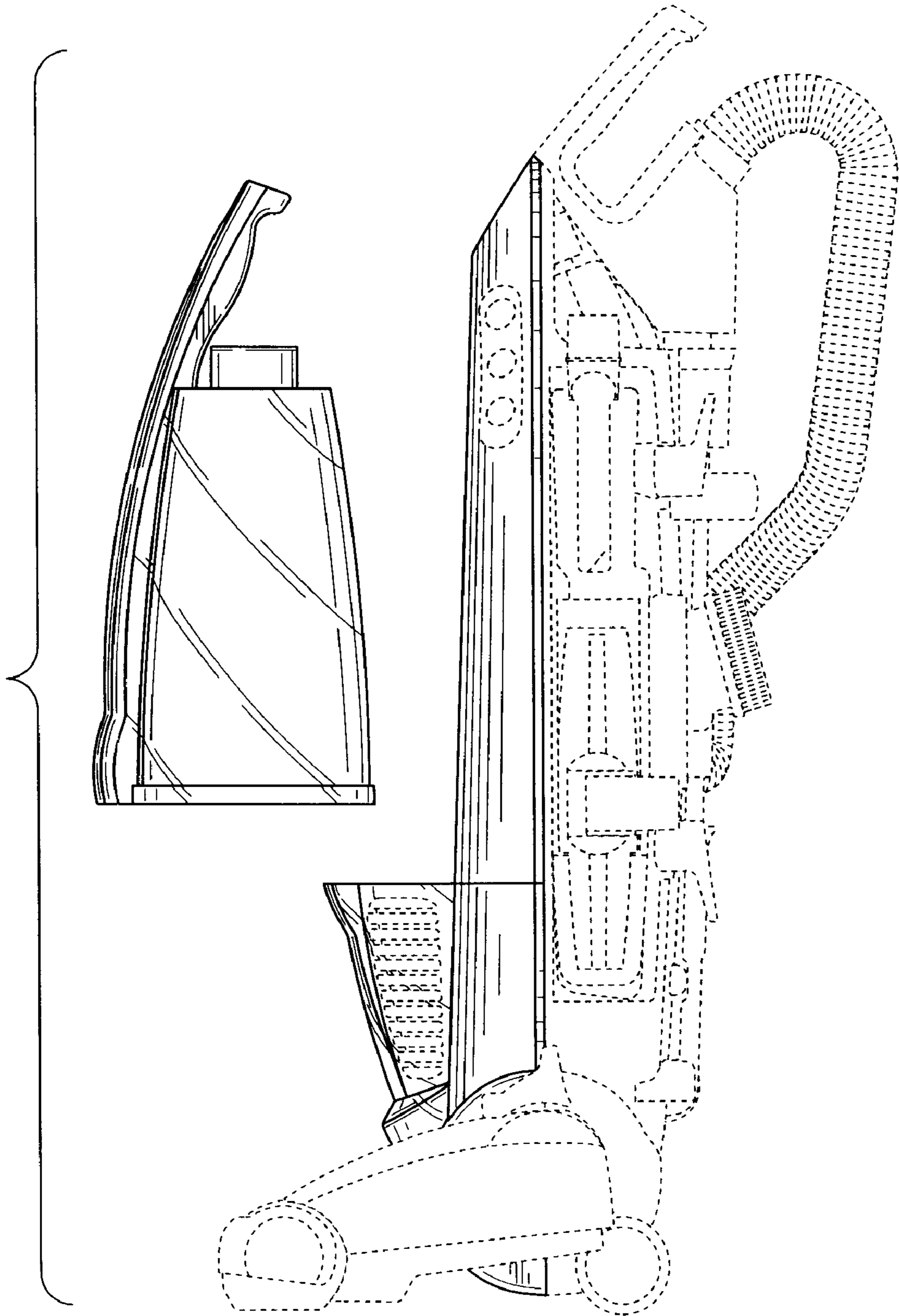


FIG. 8