



US00D530470S

(12) **United States Design Patent**
Ikeno et al.

(10) **Patent No.:** **US D530,470 S**
(45) **Date of Patent:** **** Oct. 17, 2006**

(54) **BODY OF ELECTRIC VACUUM CLEANER**

(75) Inventors: **Kenji Ikeno**, Ono (JP); **Fumizo Kimoto**, Tatsuno (JP); **Sei Takahashi**, Kasai (JP)

(73) Assignee: **Sanyo Electric Co., Ltd.**, Moriguchi (JP)

(**) Term: **14 Years**

(21) Appl. No.: **29/235,307**

(22) Filed: **Aug. 1, 2005**

(30) **Foreign Application Priority Data**

Feb. 2, 2005 (JP) 2005-002721

(51) **LOC (8) Cl.** **15-05**

(52) **U.S. Cl.** **D32/21**

(58) **Field of Classification Search** D32/15,
D32/17, 21, 23, 24, 31; 15/320, 321, 327.1,
15/327.2, 327.4, 327.6, 327.7, 353, 329;
134/105, 198, 21; 392/403; 8/149.3; 55/315,
55/428-429, 482, 472; 68/5 R, 5 A, 5 B,
68/222

See application file for complete search history.

(56) **References Cited**

U.S. PATENT DOCUMENTS

D344,164 S * 2/1994 Kuriya D32/21

D373,665 S * 9/1996 Nakamura et al. D32/21
D382,680 S * 8/1997 Meelen D32/21
D391,700 S * 3/1998 Hughes D32/21
D394,527 S * 5/1998 Pochopien et al. D32/21
D417,323 S * 11/1999 Fujita et al. D32/21
D493,585 S * 7/2004 Choi D32/21
D495,455 S * 8/2004 Brown et al. D32/21

* cited by examiner

Primary Examiner—Ruth McInroy

(74) *Attorney, Agent, or Firm*—Foley & Lardner LLP

(57) **CLAIM**

The ornamental design for a body of electric vacuum cleaner, as shown.

DESCRIPTION

FIG. 1 is an enlarged perspective view of a body of electric vacuum cleaner showing our new design;
FIG. 2 is a front view thereof;
FIG. 3 is a rear view thereof;
FIG. 4 is a top plan view thereof;
FIG. 5 is a bottom plan view thereof;
FIG. 6 is a right side view thereof;
FIG. 7 is a left side view thereof; and,
FIG. 8 is a sectional view taken along line 8—8 in FIG. 2, omitting the internal structure.

1 Claim, 6 Drawing Sheets

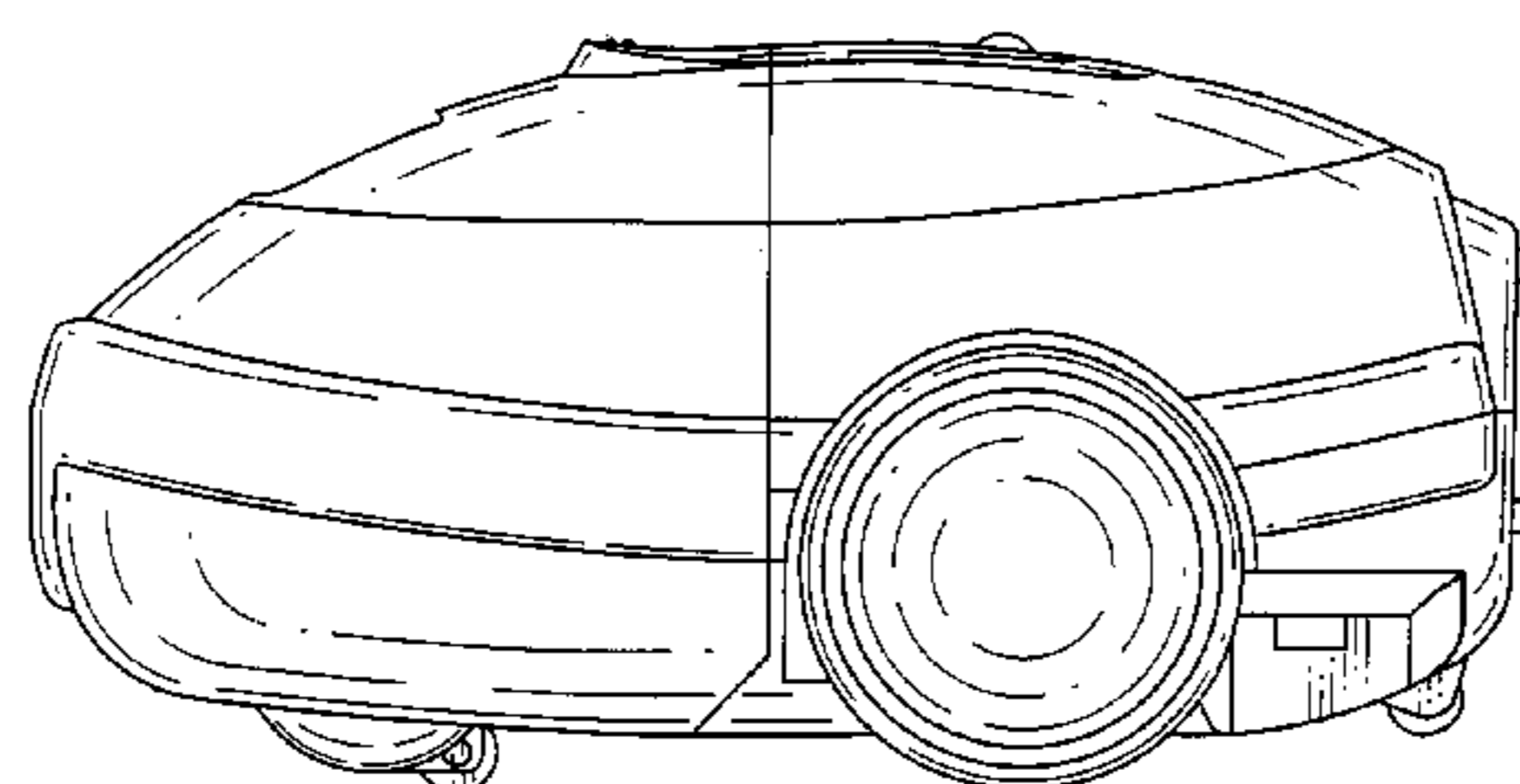
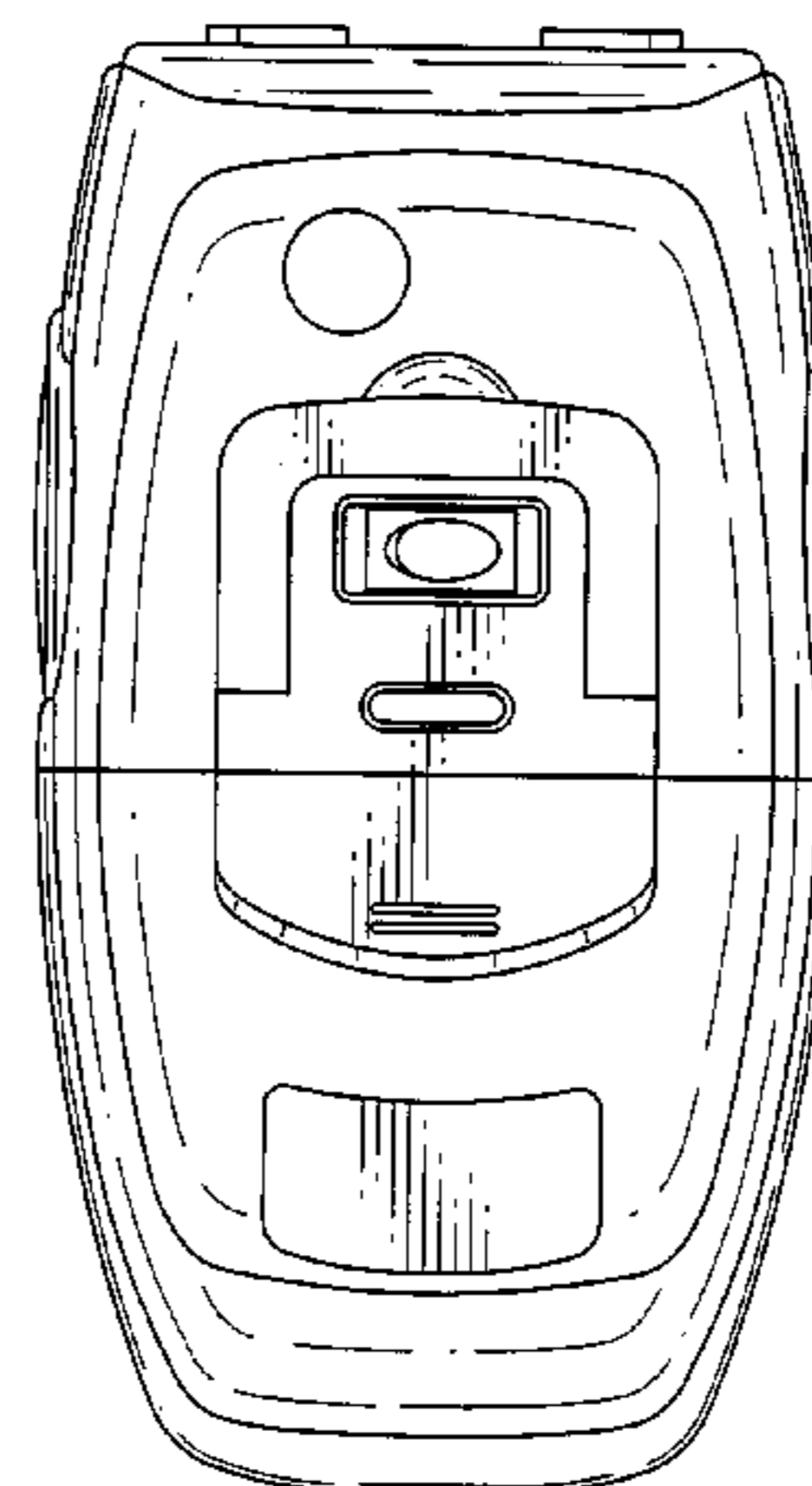
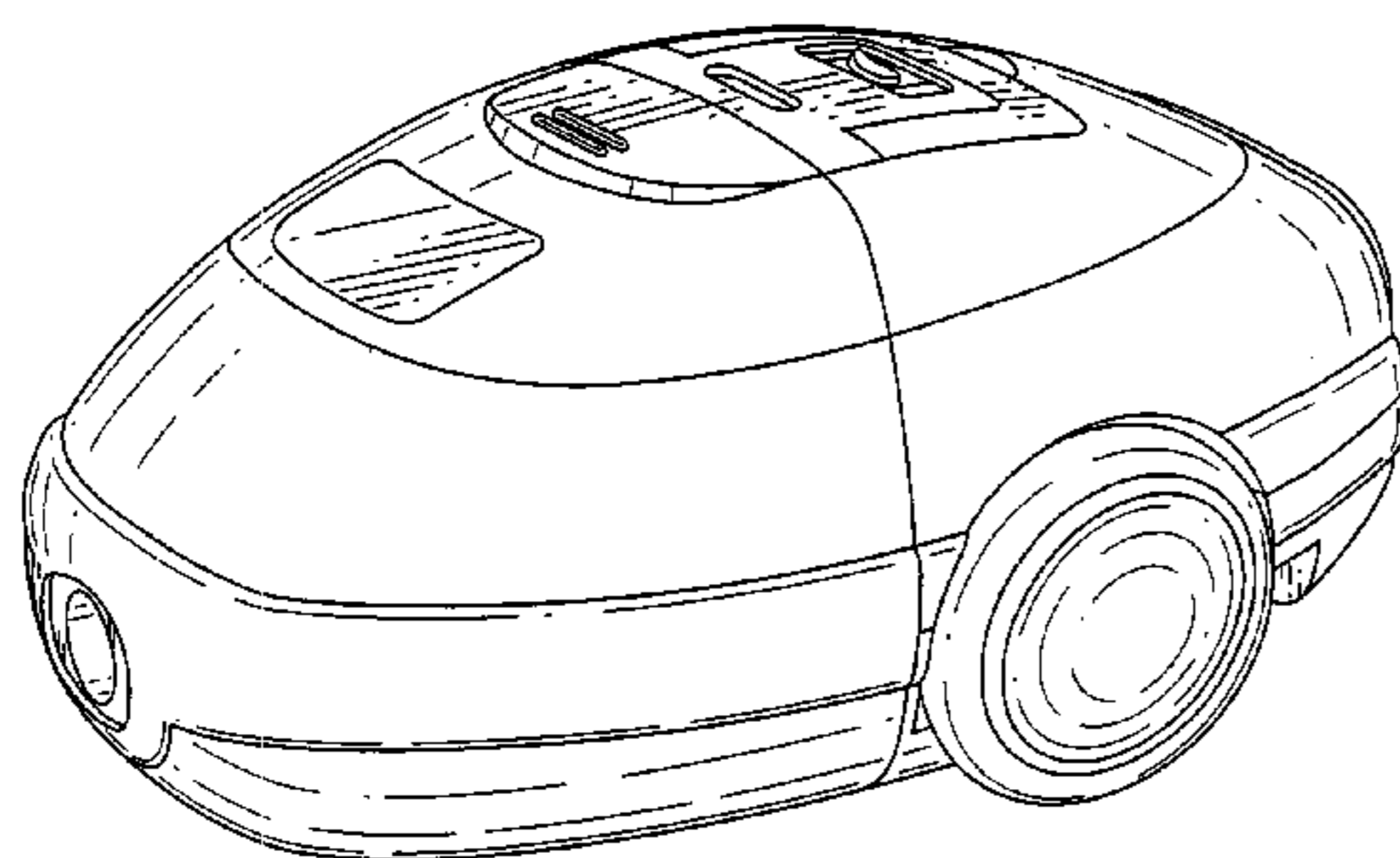


FIG. 1

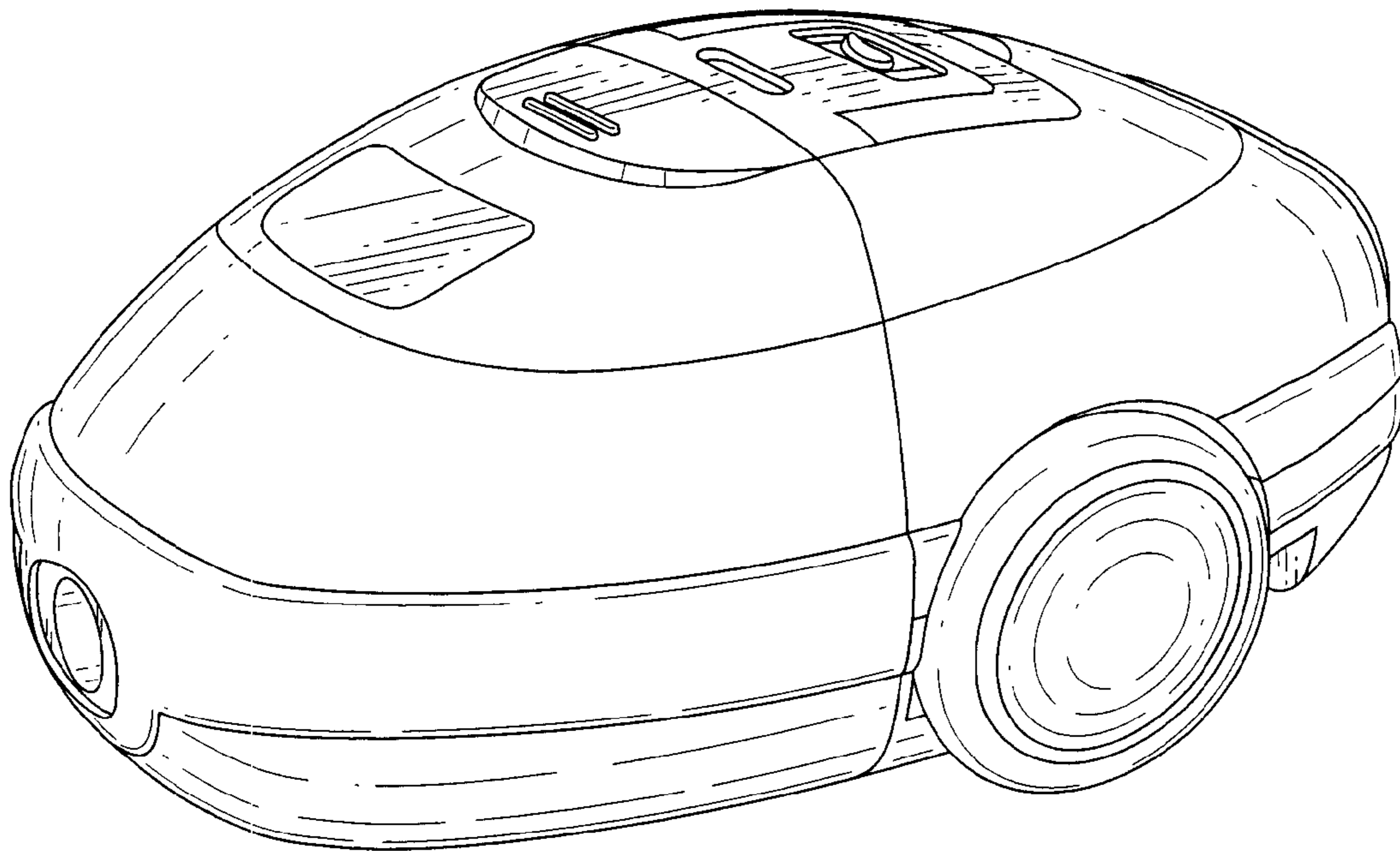


FIG. 2

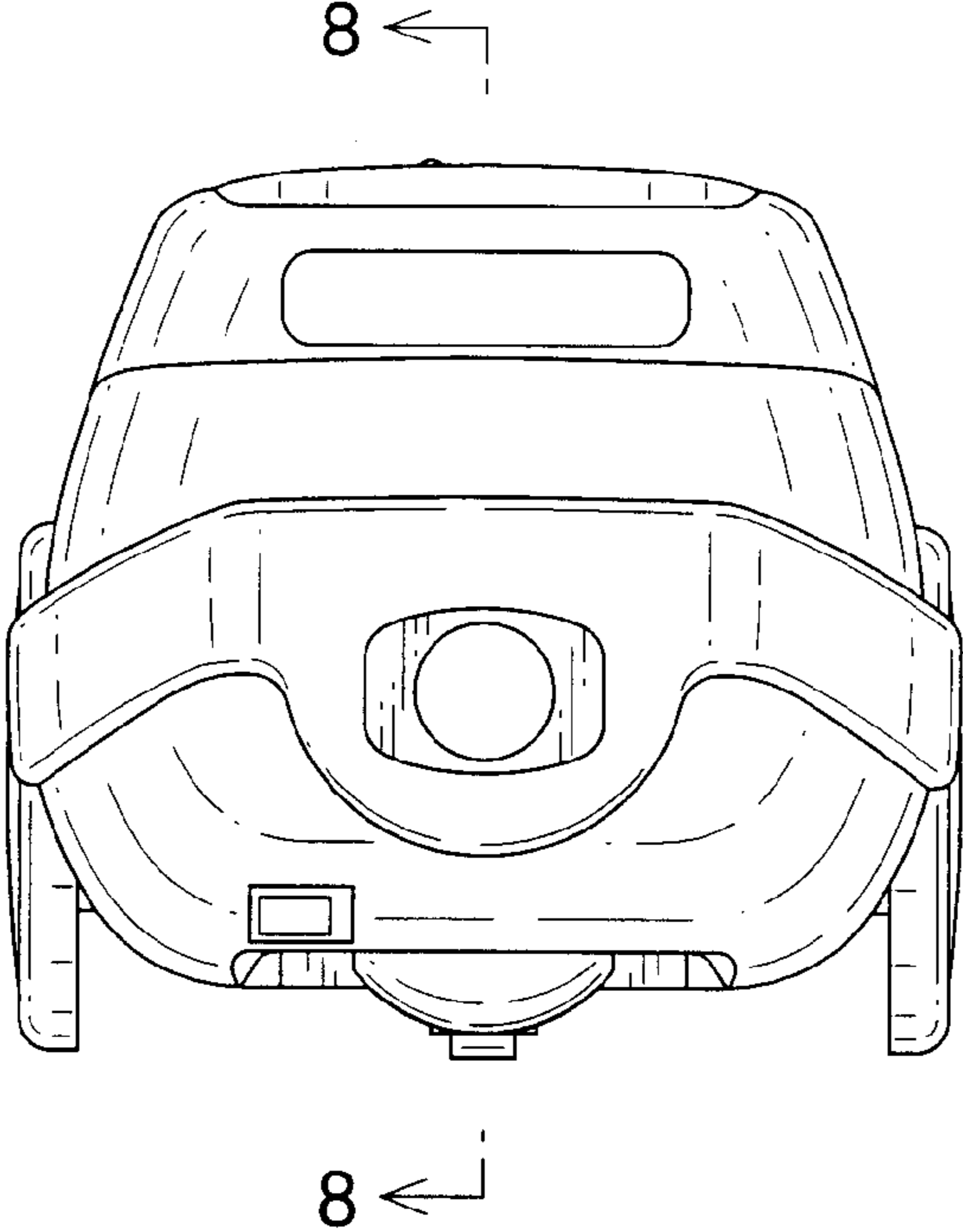


FIG. 3

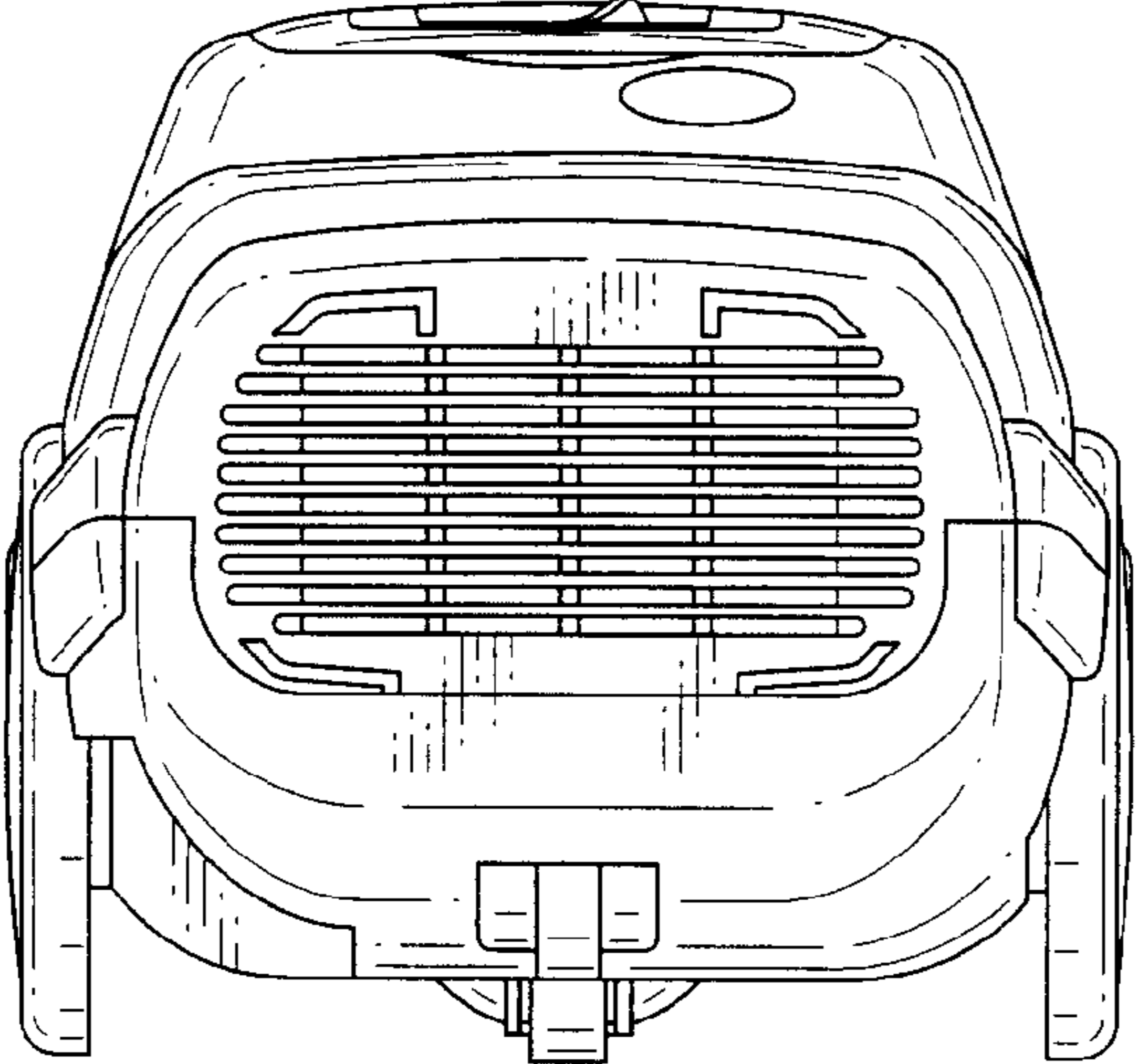


FIG. 4

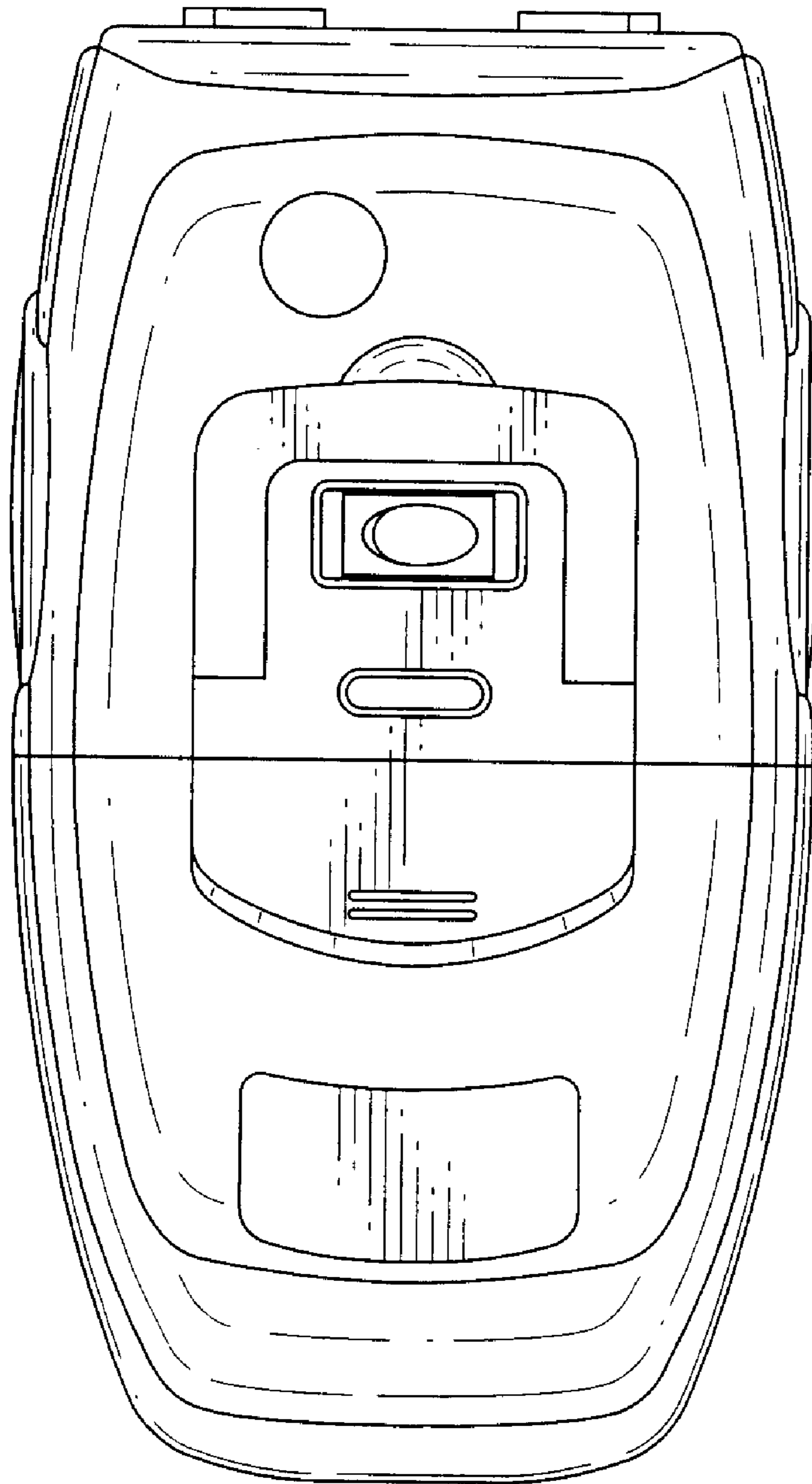


FIG. 5

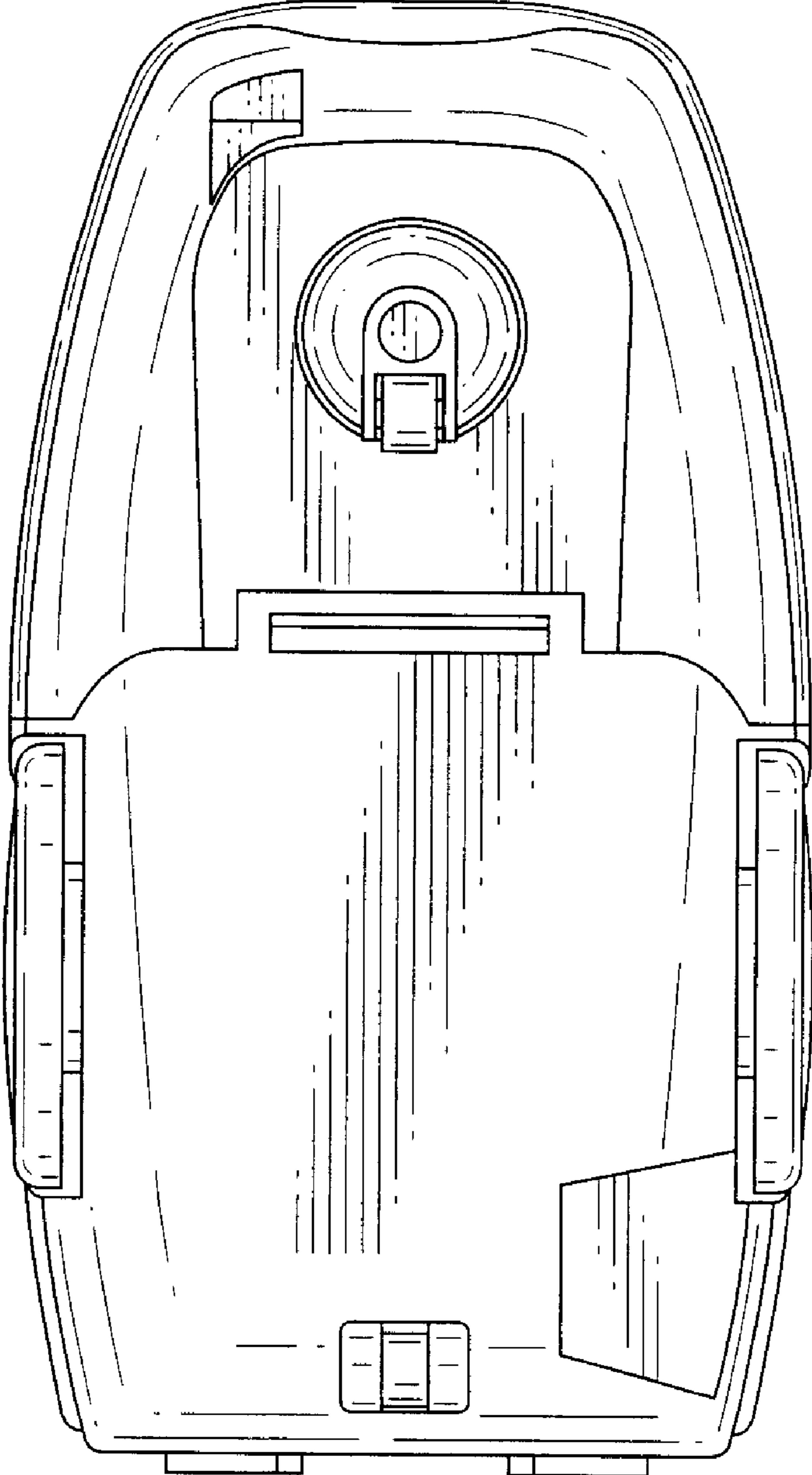


FIG. 6

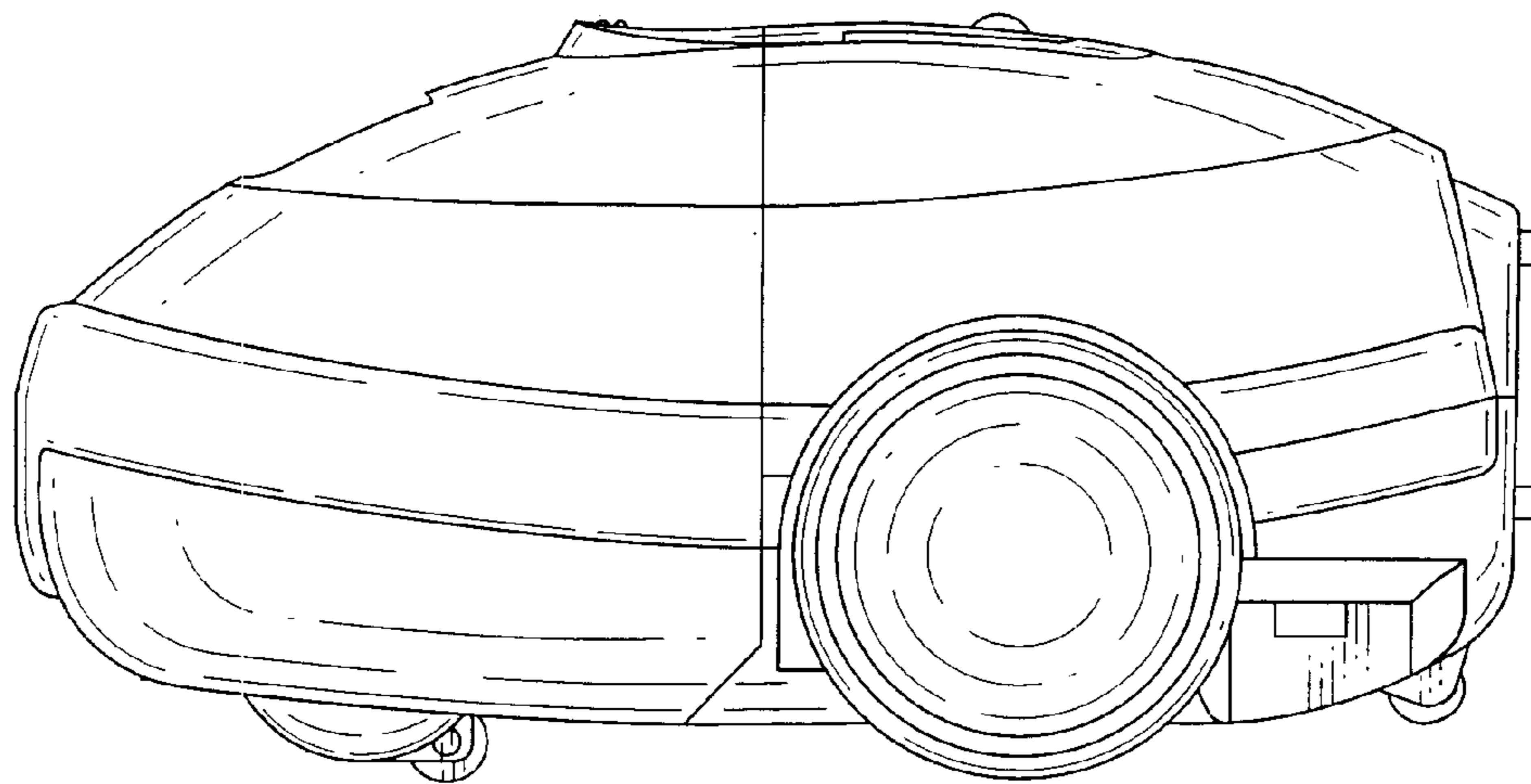


FIG. 7

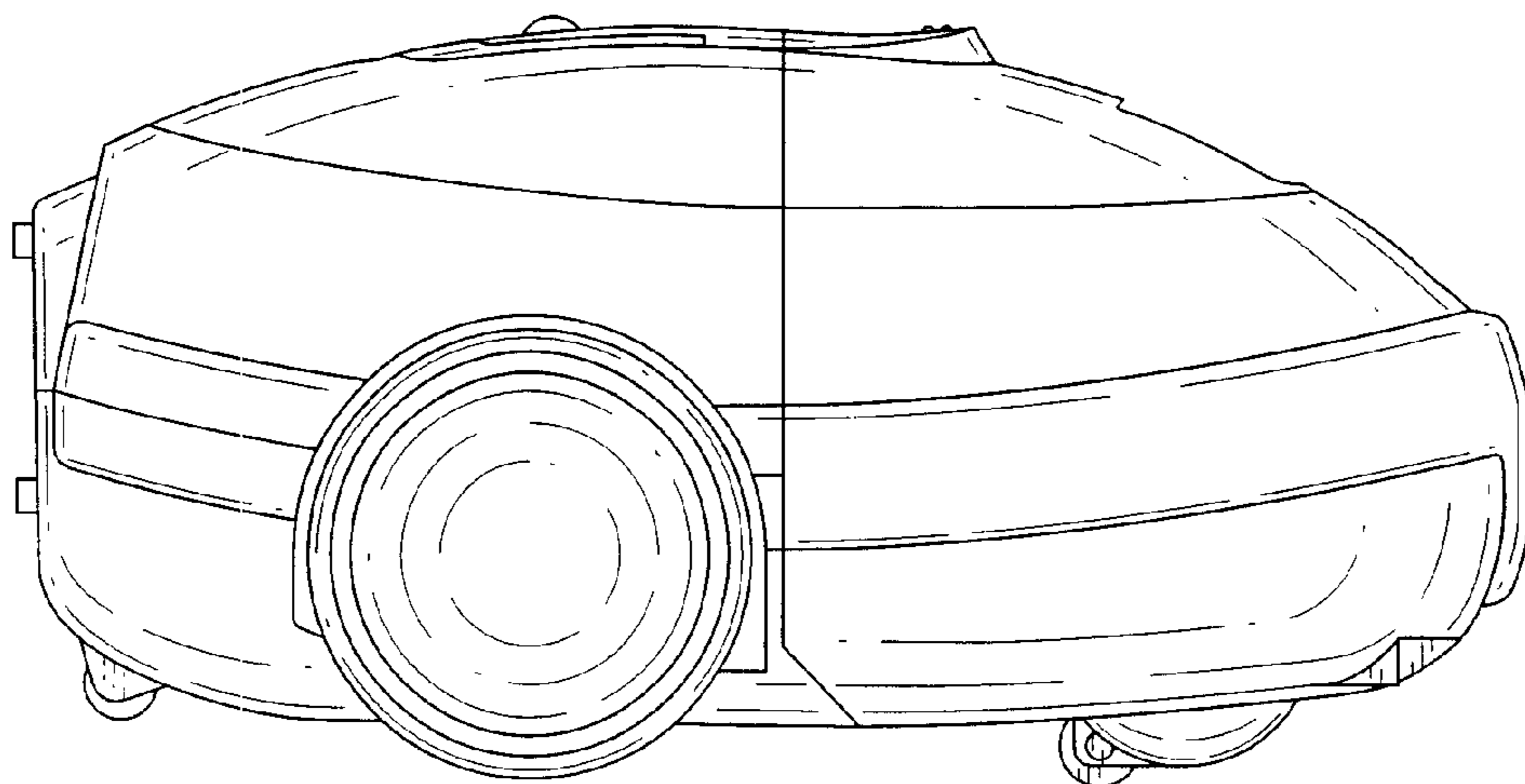


FIG. 8

