



US00D530464S

(12) **United States Design Patent** (10) **Patent No.:** **US D530,464 S**  
**Tai** (45) **Date of Patent:** **\*\* Oct. 17, 2006**

(54) **HANDHELD VACUUM CLEANER**  
(75) Inventor: **Yung Sze Tai**, Kowloon (HK)  
(73) Assignee: **AK Industrial Co., Ltd.**, Hong Kong (HK)  
(\*\*) Term: **14 Years**  
(21) Appl. No.: **29/226,967**  
(22) Filed: **Apr. 4, 2005**  
(51) **LOC (8) Cl.** ..... **15-05**  
(52) **U.S. Cl.** ..... **D32/18**  
(58) **Field of Classification Search** ..... D32/15-18,  
D32/21, 22-24, 31; 15/314, 324, 344, 329,  
15/347, 320-321, 412, DIG. 1, 353-354,  
15/301, 385, 93.1, 405, 330, 415.1, 327.5,  
15/323

See application file for complete search history.

(56) **References Cited**

U.S. PATENT DOCUMENTS

4,373,228 A 2/1983 Dyson  
D280,452 S 9/1985 Arita  
D294,412 S 2/1988 Sadashima et al.  
D302,876 S 8/1989 Ikeda et al.  
D304,104 S 10/1989 Busalt et al.  
D306,505 S 3/1990 Bradd  
D307,657 S 5/1990 Li  
D320,099 S 9/1991 Case et al.  
D326,169 S 5/1992 Stützer et al.  
D376,228 S 12/1996 Bass et al.  
D379,691 S 6/1997 Moine et al.  
D387,516 S 12/1997 Murray et al.  
D401,021 S 11/1998 Stephens et al.  
D418,262 S 12/1999 Yuen  
D421,671 S 3/2000 Thomas  
D432,743 S 10/2000 Santiago  
D437,983 S 2/2001 Stratford  
D440,719 S 4/2001 Stratford  
D440,720 S 4/2001 Stratford  
D441,151 S 4/2001 Stratford  
D441,152 S 4/2001 Stratford  
D441,926 S 5/2001 Stratford

6,231,647 B1 5/2001 Cheng  
D448,894 S 10/2001 Yuen  
D456,960 S 5/2002 Vandebelt et al.  
D459,560 S 6/2002 Lau  
6,434,785 B1 8/2002 Vandebelt et al.  
6,481,043 B1 11/2002 Anderson et al.  
D468,068 S 12/2002 Mok  
D471,331 S 3/2003 Pan  
D480,845 S \* 10/2003 Ki ..... D32/18  
D481,842 S 11/2003 Tai  
D483,533 S \* 12/2003 Ki ..... D32/18  
D489,849 S \* 5/2004 Ki ..... D32/18  
D501,065 S \* 1/2005 Ma ..... D32/18  
D507,385 S \* 7/2005 Ma ..... D32/18  
D509,931 S \* 9/2005 Ma ..... D32/18  
D514,758 S \* 2/2006 Lau ..... D32/18  
D515,258 S \* 2/2006 Robson ..... D32/18

FOREIGN PATENT DOCUMENTS

JP 1050612 5/1990

OTHER PUBLICATIONS

U.S. Appl. No. 29/176,115, filed Feb. 18, 2003, Ma, Rotary Brush Vacuum Cleaner.

(Continued)

*Primary Examiner*—Ruth McInroy  
(74) *Attorney, Agent, or Firm*—Roy, Kiesel, Keegan & DeNicola

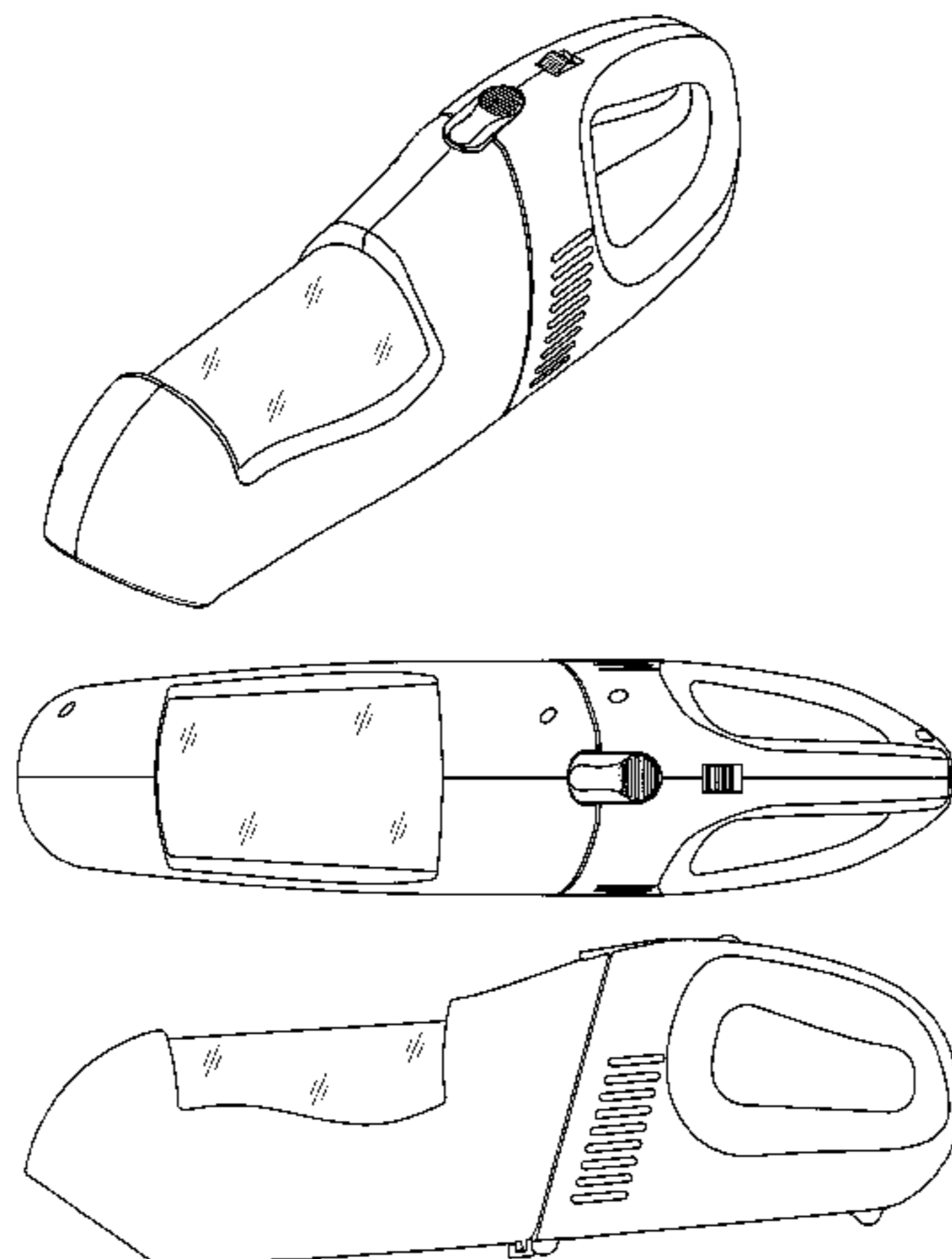
(57) **CLAIM**

I claim the ornamental design for a handheld vacuum cleaner, as shown and described.

**DESCRIPTION**

FIG. 1 is a perspective view of a handheld vacuum cleaner incorporating the inventive design;  
FIG. 2 is a top view thereof;  
FIG. 3 is a left view thereof;  
FIG. 4 is a front end view thereof;  
FIG. 5 is a rear end view thereof;  
FIG. 6 is a right view thereof; and,  
FIG. 7 is a bottom view thereof.

**1 Claim, 6 Drawing Sheets**



OTHER PUBLICATIONS

U.S. Appl. No. 29/176,440, filed Feb. 21, 2003, Cheng, Handheld Brush Vacuum.

U.S. Appl. No. 29/181,964, filed May 16, 2003, Ma, Handheld Rotary Vacuum.

Prior to Sep. 14, 2004, Royal Appliance Mfg. Co., Electric Rotary Brush Module.

\* cited by examiner

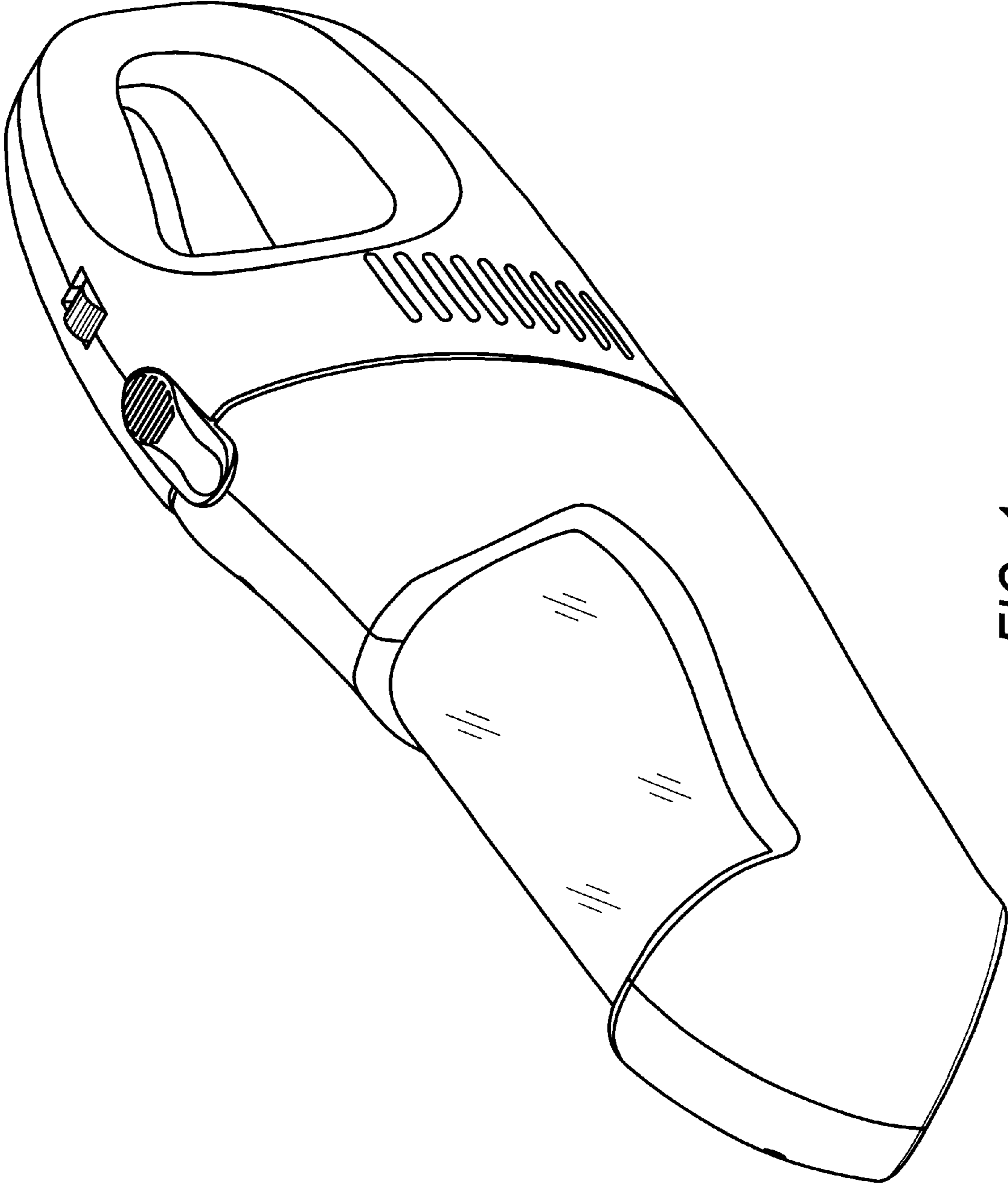


FIG. 1

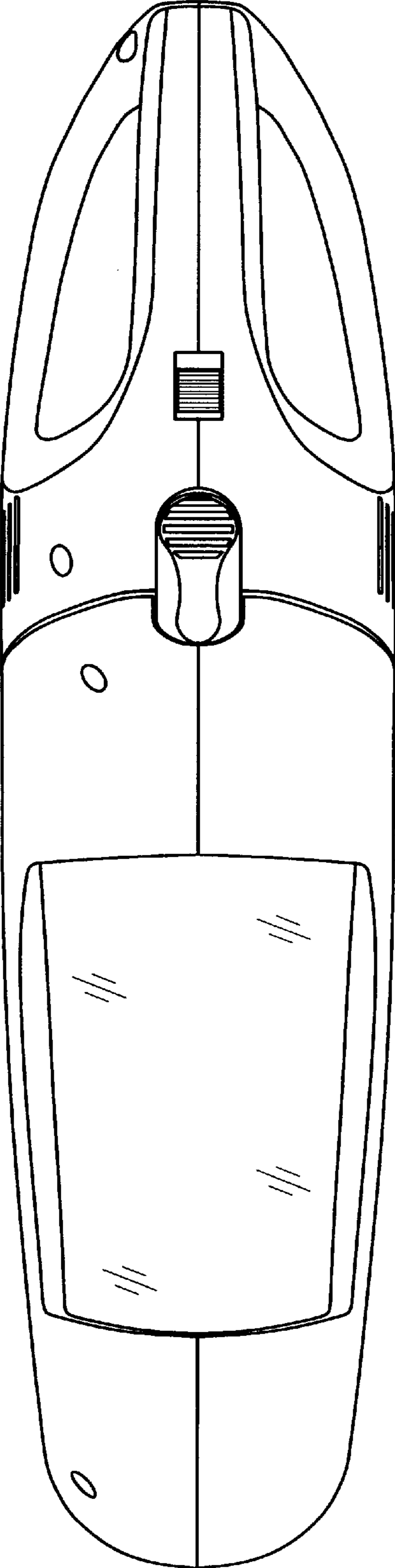


FIG. 2

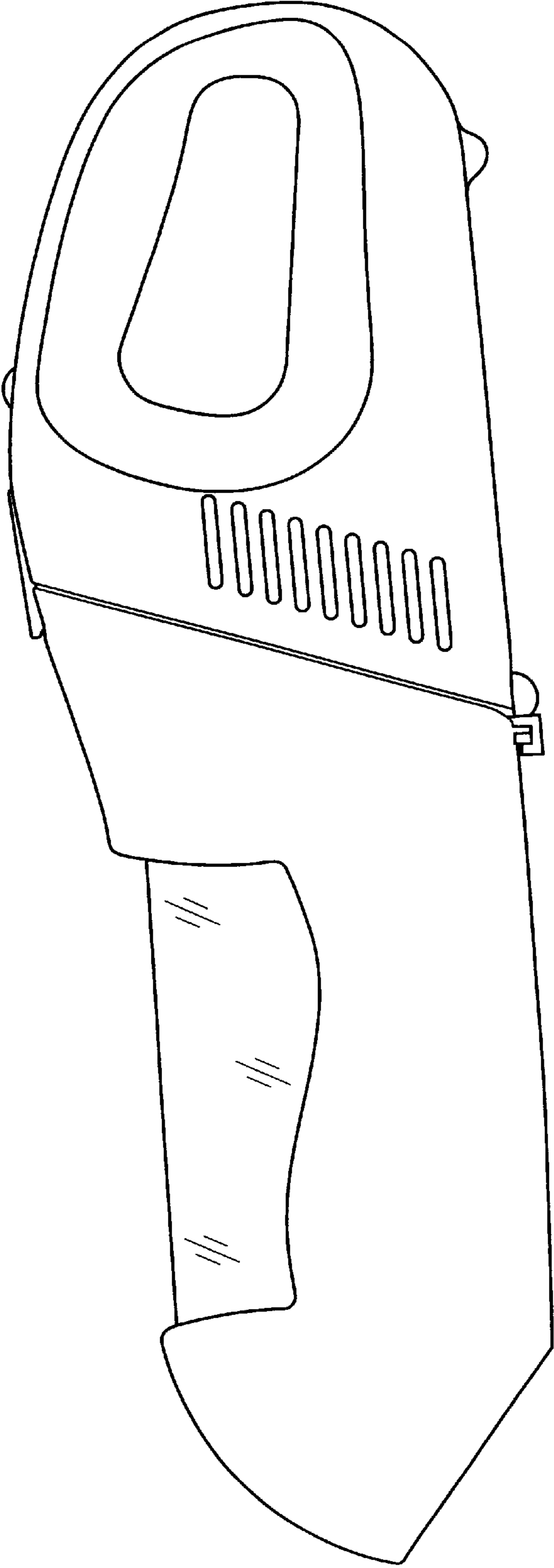


FIG. 3

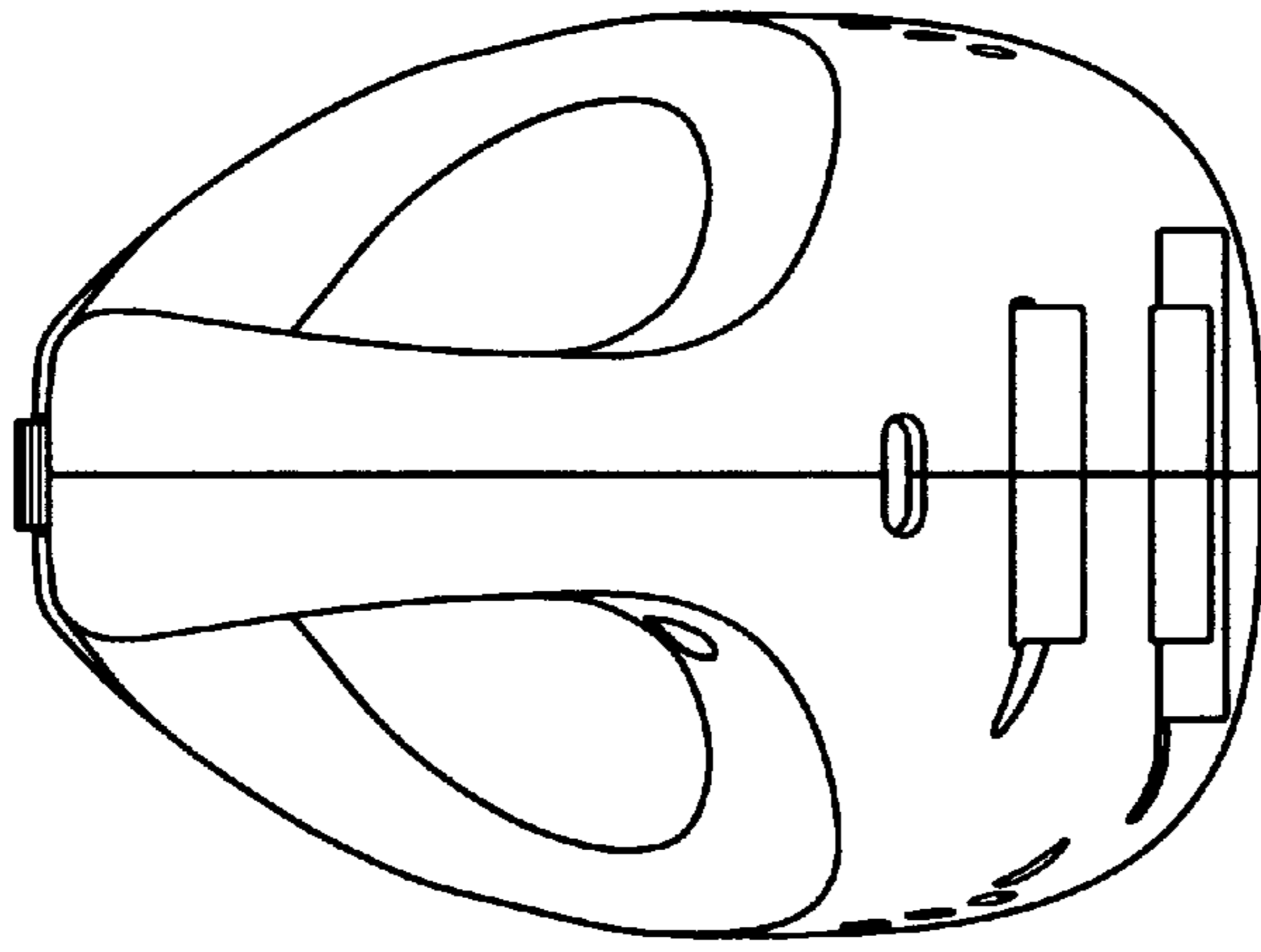


FIG. 5

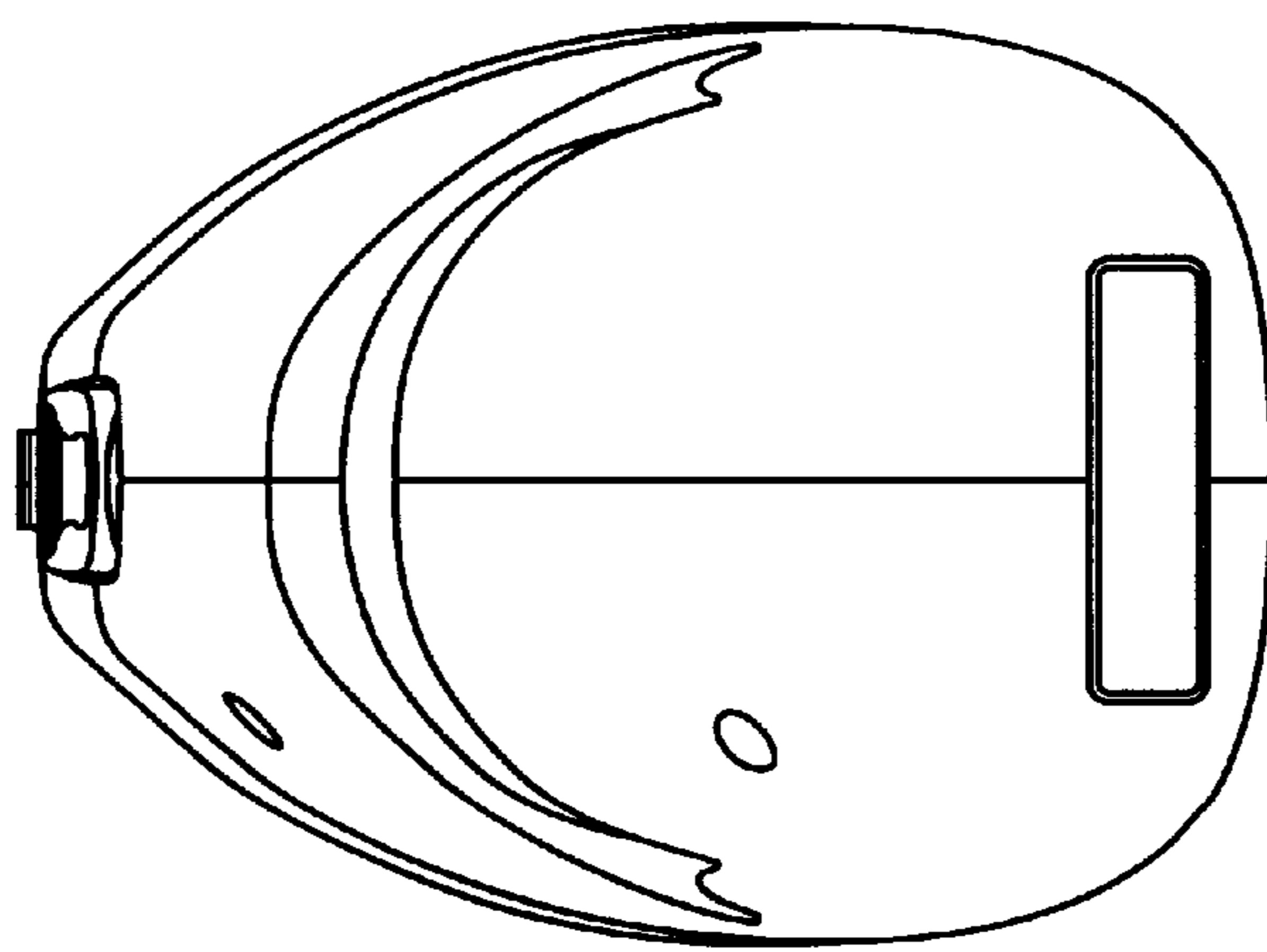


FIG. 4

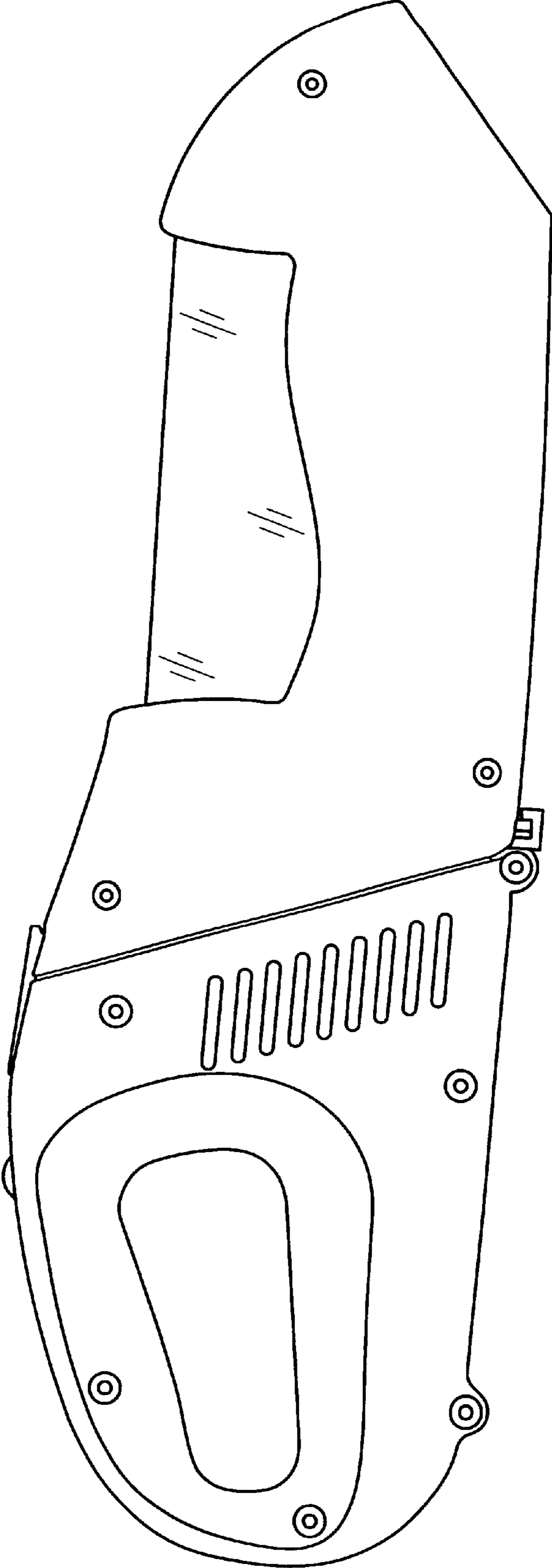


FIG. 6

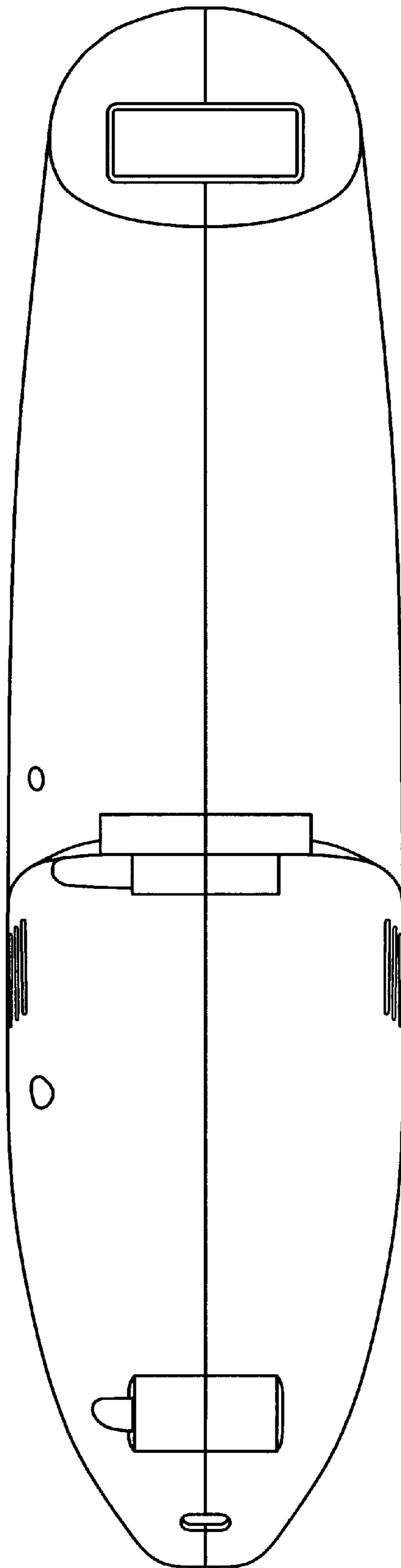


FIG. 7