

US00D530463S

(12) **United States Design Patent** (10) **Patent No.:** **US D530,463 S**  
**Ambasz et al.** (45) **Date of Patent:** **\*\* Oct. 17, 2006**

(54) **BOWLING LANE CONDITIONING MACHINE**

(75) Inventors: **Emilio Ambasz**, Buenos Aires (AR);  
**Troy A. Recknagel**, Muskegon, MI (US)

(73) Assignee: **Brunswick Bowling & Billards Corporation**, Lake Forest, IL (US)

(\*\*) Term: **14 Years**

3,377,640 A 4/1968 Rudolph  
3,418,672 A \* 12/1968 Regan ..... 15/98  
3,428,986 A \* 2/1969 Rudolph ..... 15/99  
3,604,037 A 9/1971 Varne  
3,729,769 A 5/1973 Sharpless  
3,753,777 A 8/1973 Thomsen et al.  
3,787,916 A 1/1974 Akagi et al.  
3,868,738 A 3/1975 Horst et al.  
3,942,215 A 3/1976 Olds

(Continued)

FOREIGN PATENT DOCUMENTS

(21) Appl. No.: **29/257,333**

JP 6315448 11/1994

(22) Filed: **Apr. 3, 2006**

OTHER PUBLICATIONS

**Related U.S. Application Data**

“Engine Controllers—PCM555”, <http://motoron.com/pcm555.htm>, 3 pages (2002).

(62) Division of application No. 29/219,520, filed on Dec. 17, 2004.

(Continued)

(51) **LOC (8) Cl.** ..... **15-05**

(52) **U.S. Cl.** ..... **D32/16**

(58) **Field of Classification Search** ..... D32/1,  
D32/15, 16, 19, 20, 22; 15/321, 353, 50.1,  
15/320, 302, 98

*Primary Examiner*—Louis S. Zarfes

*Assistant Examiner*—Kathleen Sims

(74) *Attorney, Agent, or Firm*—Brinks Hofer Gilson & Lione

See application file for complete search history.

(57) **CLAIM**

The ornamental design for a bowling lane conditioning machine, as shown and described.

(56) **References Cited**

U.S. PATENT DOCUMENTS

**DESCRIPTION**

899,726 A 9/1908 Goodier  
1,130,064 A 3/1915 Buchanan  
1,995,685 A 3/1935 Perkins  
2,394,585 A 2/1946 Bailey  
2,622,254 A 12/1952 Mendelson  
2,712,297 A 7/1955 McGrew  
2,763,019 A 9/1956 Huber  
2,893,047 A 7/1959 Swihart  
3,083,390 A 4/1963 Wroten  
3,099,851 A 8/1963 Unterbrink  
3,150,396 A 9/1964 Unterbrink  
3,150,407 A 9/1964 Mitchell  
3,216,036 A 11/1965 Rockwood et al.  
3,216,037 A 11/1965 Stevens et al.  
3,217,347 A 11/1965 Domecki  
3,321,331 A 5/1967 McNeely

FIG. 1 is a front-left perspective view of a bowling lane conditioning machine showing our new design in which a handle is shown in broken lines.

FIG. 2 is a left-side view thereof.

FIG. 3 is a right-side view thereof.

FIG. 4 is a rear view thereof.

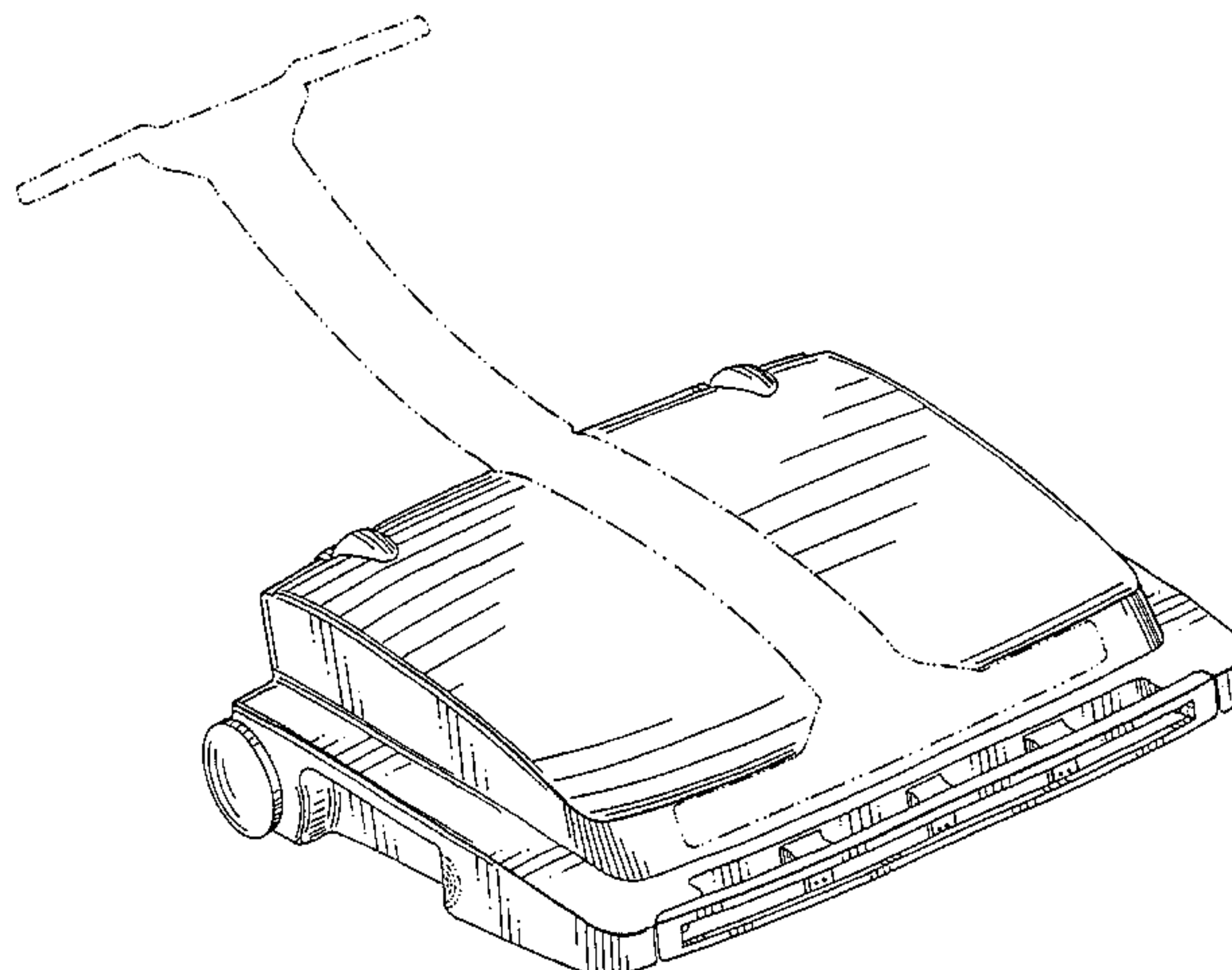
FIG. 5 is a front view thereof.

FIG. 6 is a top view thereof; and,

FIG. 7 is a bottom view thereof.

The broken line showing is for illustrative purposes only and forms no part of the claimed design.

**1 Claim, 7 Drawing Sheets**



U.S. PATENT DOCUMENTS

3,998,387 A 12/1976 Maasberg  
 4,069,540 A 1/1978 Zamboni  
 4,114,711 A 9/1978 Wilkins  
 4,167,798 A 9/1979 Klugl et al.  
 4,209,557 A 6/1980 Edwards  
 4,246,674 A 1/1981 Ingermann et al.  
 4,351,081 A 9/1982 Tarkinson  
 4,353,145 A 10/1982 Woodford  
 4,363,152 A 12/1982 Karpanty  
 4,369,544 A 1/1983 Parisi  
 4,463,469 A 8/1984 Green  
 4,487,788 A 12/1984 Scheie et al.  
 4,510,642 A 4/1985 Ingermann et al.  
 D281,362 S 11/1985 Ingermann et al.  
 4,562,610 A 1/1986 Davis et al.  
 4,586,213 A 5/1986 Bricher et al.  
 4,595,420 A 6/1986 Williams, III et al.  
 4,700,427 A 10/1987 Knepper  
 4,708,603 A 11/1987 Kubo  
 4,727,615 A 3/1988 Kubo  
 4,738,000 A 4/1988 Kubo  
 4,766,016 A 8/1988 Kubo  
 4,845,794 A 7/1989 Korski et al.  
 4,856,138 A 8/1989 Ingermann et al.  
 4,910,824 A 3/1990 Nagayama et al.  
 4,920,604 A 5/1990 Ingermann et al.  
 4,937,911 A 7/1990 Picchietti, Sr. et al.  
 4,956,891 A 9/1990 Wulff  
 4,959,884 A 10/1990 Ingermann et al.  
 4,962,565 A 10/1990 Ingermann et al.  
 4,980,815 A 12/1990 Davis  
 4,990,162 A 2/1991 LeBlanc et al.  
 5,063,633 A 11/1991 Ingermann et al.  
 5,092,699 A 3/1992 Silvenis  
 5,109,791 A 5/1992 Matsumoto et al.  
 5,133,280 A 7/1992 Kubo  
 5,161,277 A 11/1992 Ingermann et al.  
 5,181,290 A 1/1993 Davis et al.  
 5,185,901 A 2/1993 Davis et al.  
 5,243,728 A 9/1993 Smith et al.  
 5,274,871 A 1/1994 Smith et al.  
 D344,163 S \* 2/1994 Joines ..... D32/19  
 5,287,581 A 2/1994 Lo  
 5,327,609 A 7/1994 Bierma et al.  
 5,455,977 A 10/1995 Caffrey et al.  
 5,510,149 A 4/1996 Schucker et al.  
 5,517,709 A 5/1996 Caffrey et al.  
 5,629,049 A 5/1997 Caffrey et al.  
 5,641,538 A 6/1997 Caffrey et al.  
 5,650,012 A 7/1997 Davis  
 5,679,162 A 10/1997 Caffrey et al.  
 5,729,855 A 3/1998 Davis  
 5,753,043 A 5/1998 Davis  
 5,761,762 A 6/1998 Kubo  
 5,935,333 A 8/1999 Davis  
 6,090,203 A 7/2000 Gebhardt et al.  
 6,223,378 B1 5/2001 Watellier  
 6,261,463 B1 7/2001 Jacob et al.  
 6,383,290 B1 5/2002 Davis et al.  
 6,443,526 B1 9/2002 Scarlett  
 6,450,892 B1 9/2002 Burkholder et al.

6,615,434 B1 9/2003 Davis et al.  
 6,685,778 B1 2/2004 Davis et al.  
 6,736,900 B1 5/2004 Isogai et al.  
 6,790,282 B1 9/2004 Davis et al.  
 6,923,863 B1 \* 8/2005 Baker et al. .... 118/207  
 6,939,404 B1 \* 9/2005 Davis et al. .... 118/207  
 2002/0170130 A1 11/2002 Shinler  
 2003/0206304 A1 11/2003 Davis et al.  
 2004/0010873 A1 \* 1/2004 Davis et al. .... 15/98  
 2005/0081782 A1 \* 4/2005 Buckley et al. .... 118/207  
 2005/0217700 A1 \* 10/2005 Davis et al. .... 134/10  
 2005/0229340 A1 \* 10/2005 Sawalski et al. .... 15/50.3  
 2005/0255248 A1 \* 11/2005 Baker et al. .... 427/356

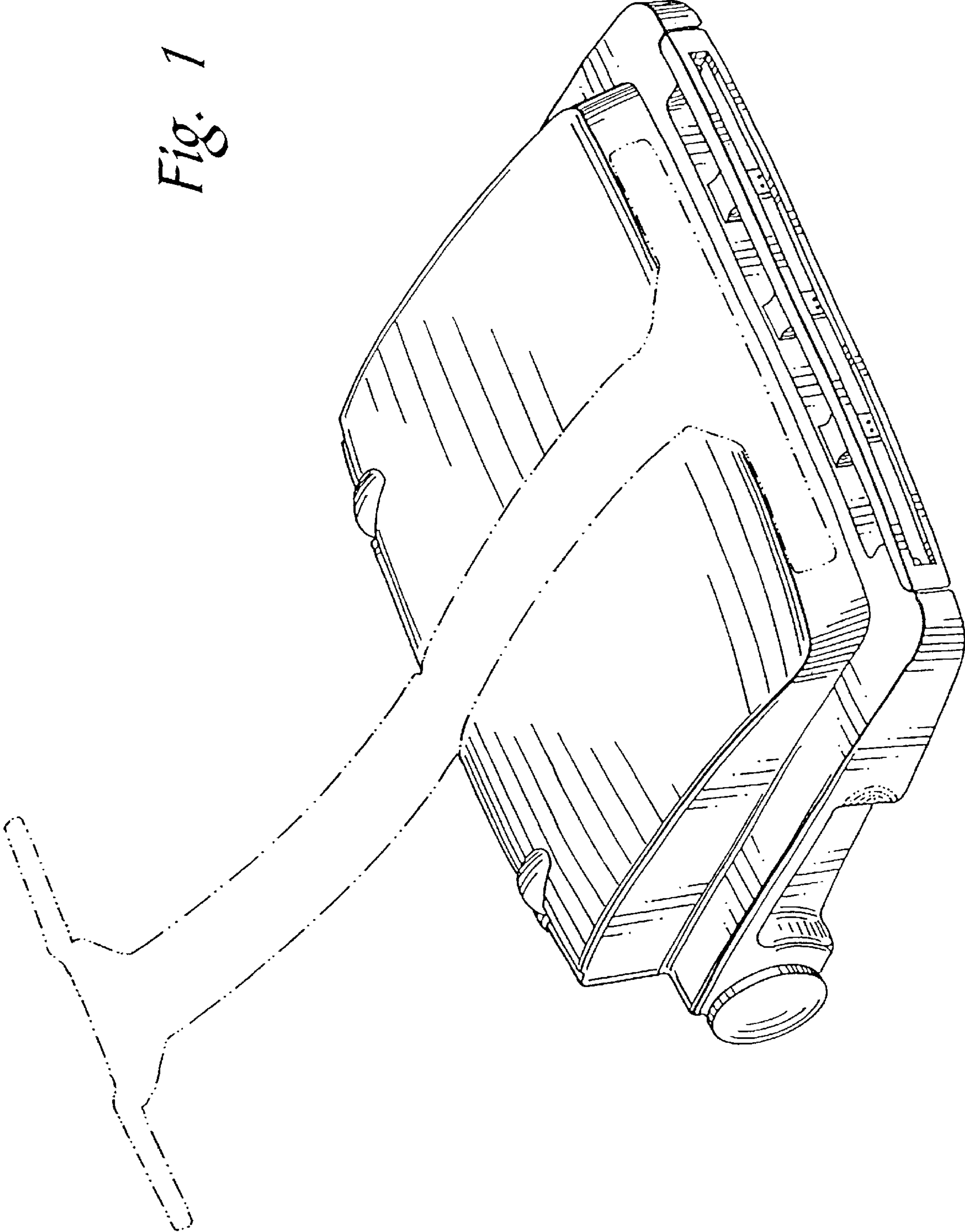
OTHER PUBLICATIONS

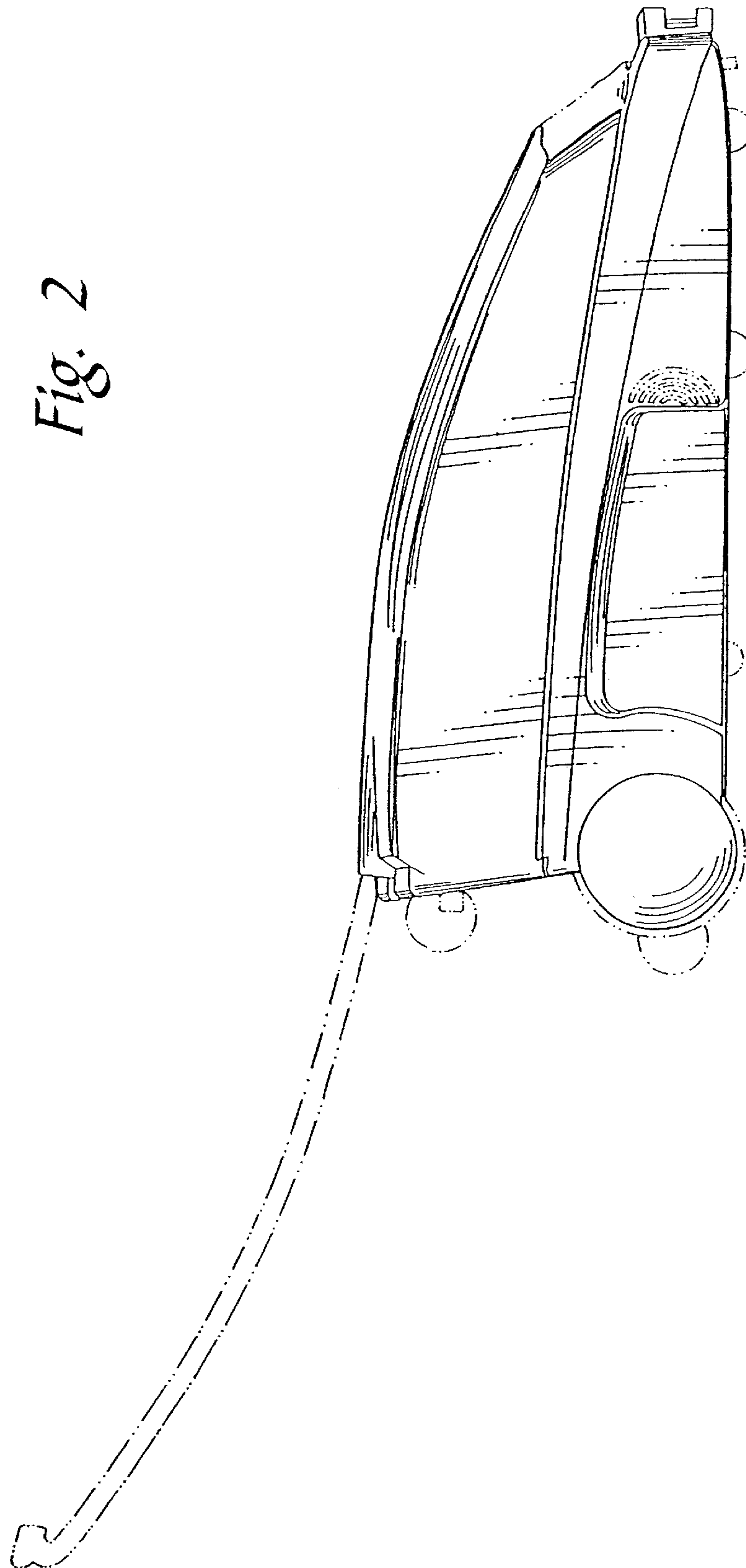
“To connect KOSI to lane machine”, 1 page (undated).  
 “L107 High-Flow Fuel Injector”, [http://www.mototron.com/prod\\_minifuel\\_long.htm](http://www.mototron.com/prod_minifuel_long.htm), 2 pages, printed on Jan. 11, 2005.  
 “Service Manual—Brunswick ‘90’ Lane Conditioner”, 56 pages, 1962.  
 “LaneRobot—Newshuttle”, Brunswick, 35 pages (undated).  
 Brochure, “Kegel/DBA Phoenix-S—The Name you know. The Technology you need!”, 1 page (double sided) (undated).  
 Brochure, “You’ve Got Control. Now Get Connected”, 1 page (double sided) (2001).  
 Brochure, “Kustodian—The World’s Best Selling Lane Machine”, 1 page (double sided) (2003).  
 Brochure, “Advanced Performance Supplies”, 4 pages (2001/2002).  
 Brochure, “Kegel/DBA—A Great Machine Just Got Better!”, 1 page (double sided) (undated).  
 Brochure, “Every Center Needs a Great . . . Mechanik”, 1 page (double sided) (2003).  
 Photograph, “The Phoenix S”, 1 page (photo taken Dec. 22, 2003).  
 Manual, “Century Chairman”, 14 pages (undated).  
 Photographs, “Century Chairman”, 4 pages (photo taken Jul. 23, 2004).  
 Brochure, “Century—The Chairman™ Performance System”, 11 pages (undated).  
 Brochure, “LEVAB International—No Buffers No Rollers No Wicks!”, 13 pages (undated).  
 “Operating Instructions—LEVAB International X-Treme”, 52 pages, (1997).  
 “Operating Instructions—LEVAB International—Lane Liner Advanced Lane Conditioning System”, 18 pages (1997/1998).  
 Brochure, “Kustodian Plus”, 2 pages (undated).  
 U.S. Appl. No. 10/934,005; entitled, “Apparatus and Method for Conditioning a Bowling Lane Using Precision Delivery Injectors”; inventors: George W. Buckley, Roy A. Burkholder, Richard A. Davis, Steven J. Gonring, Mark H. Meade, Patrick J. Mitchell, and Troy A. Recknagel; filed Sep. 2, 2004.

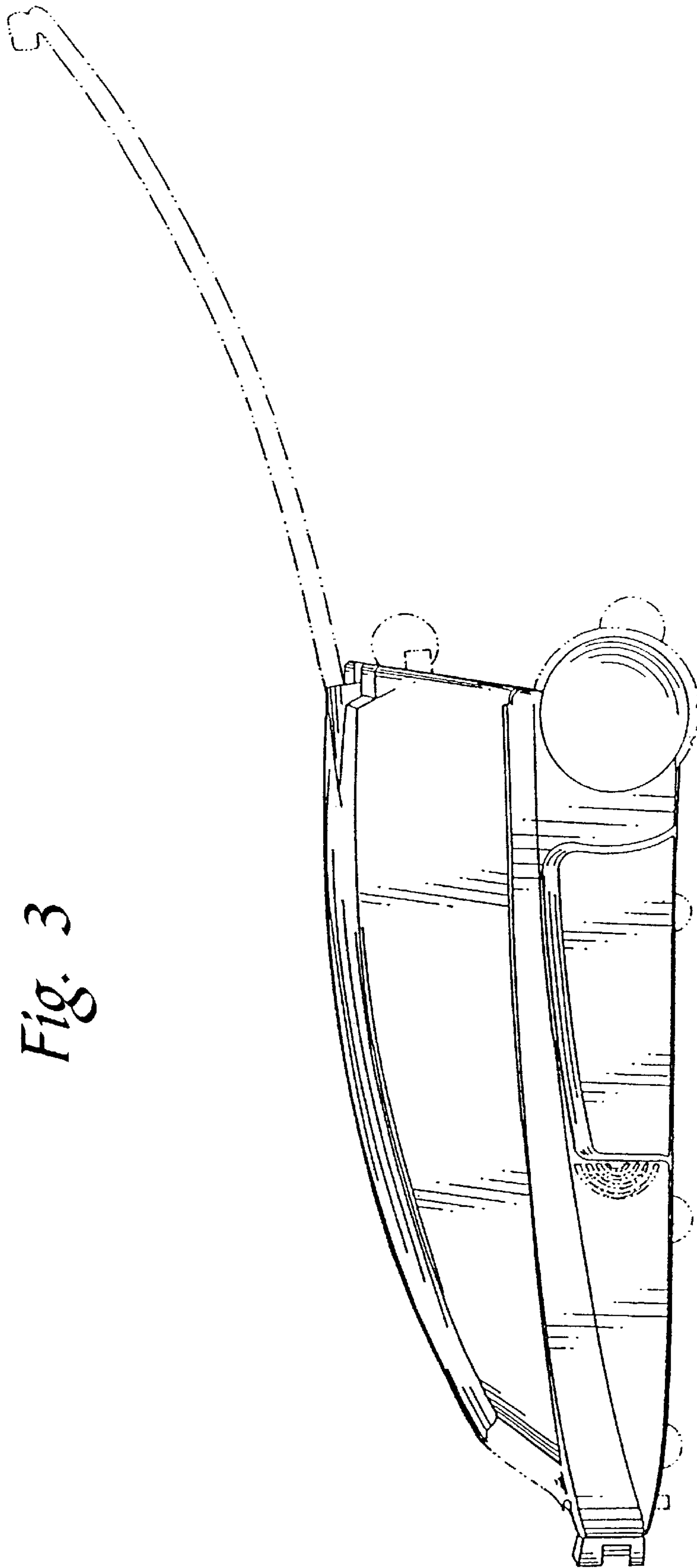
\* cited by examiner



*Fig. 1*







*Fig. 3*

*Fig. 4*

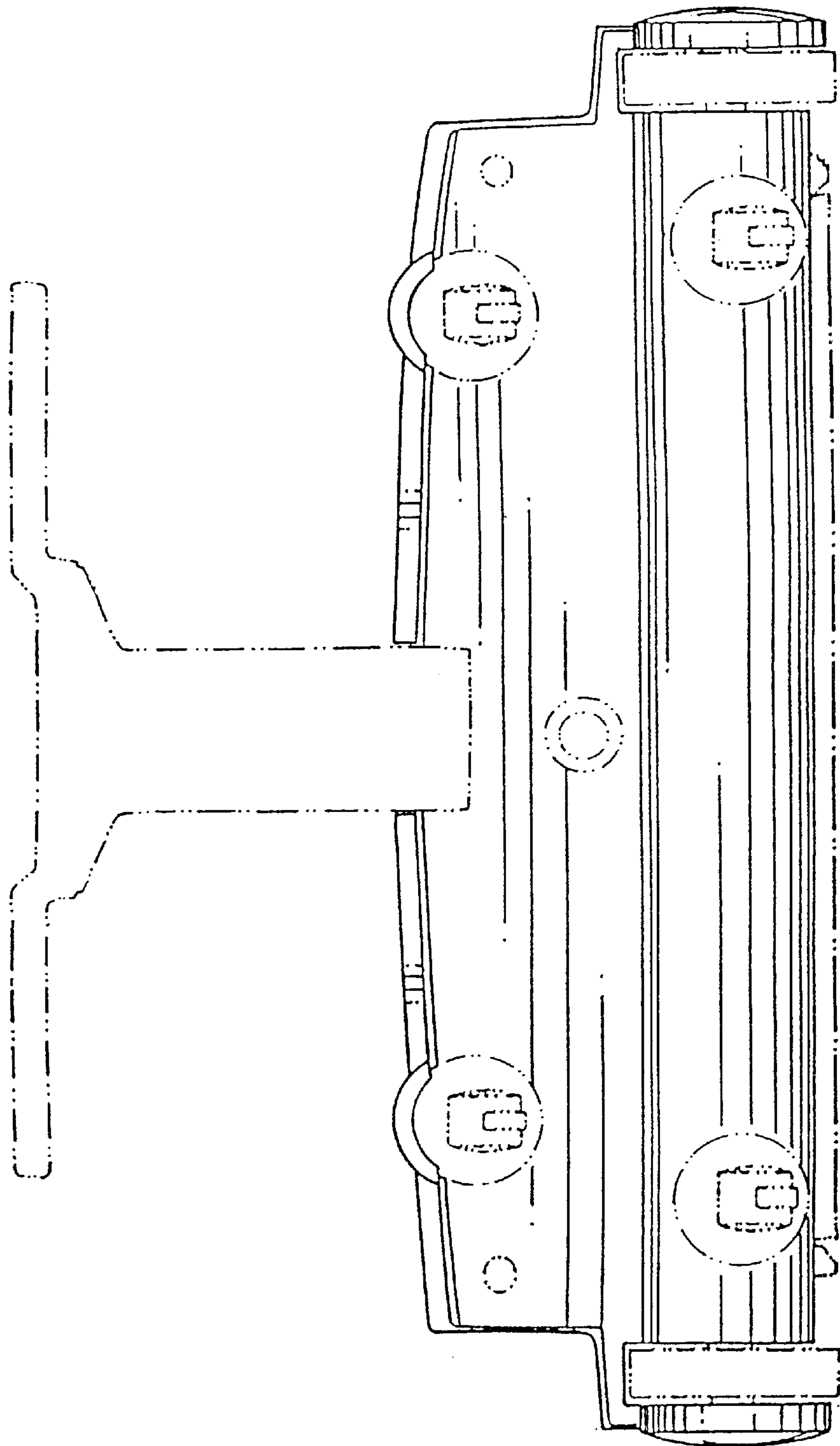
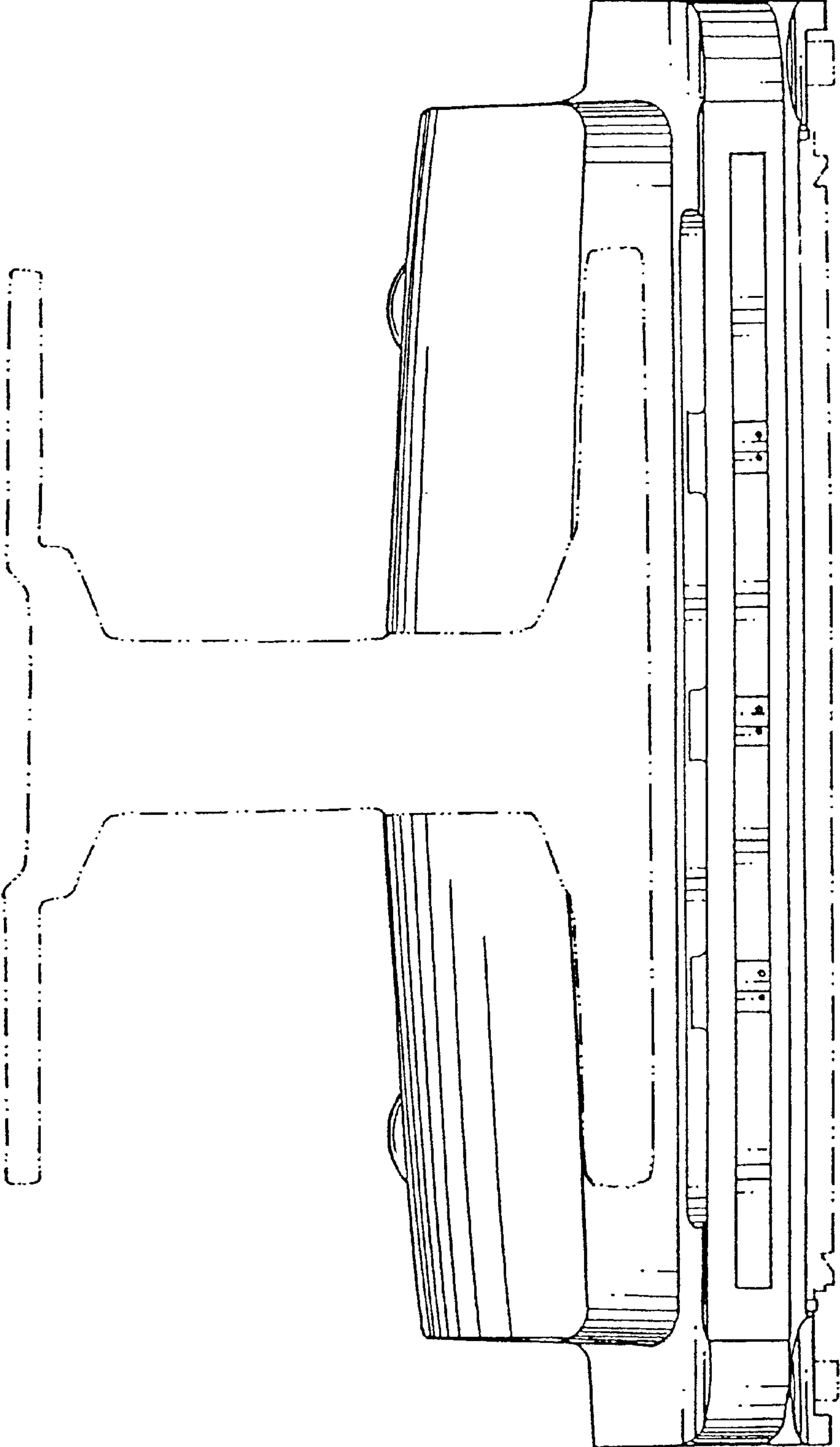
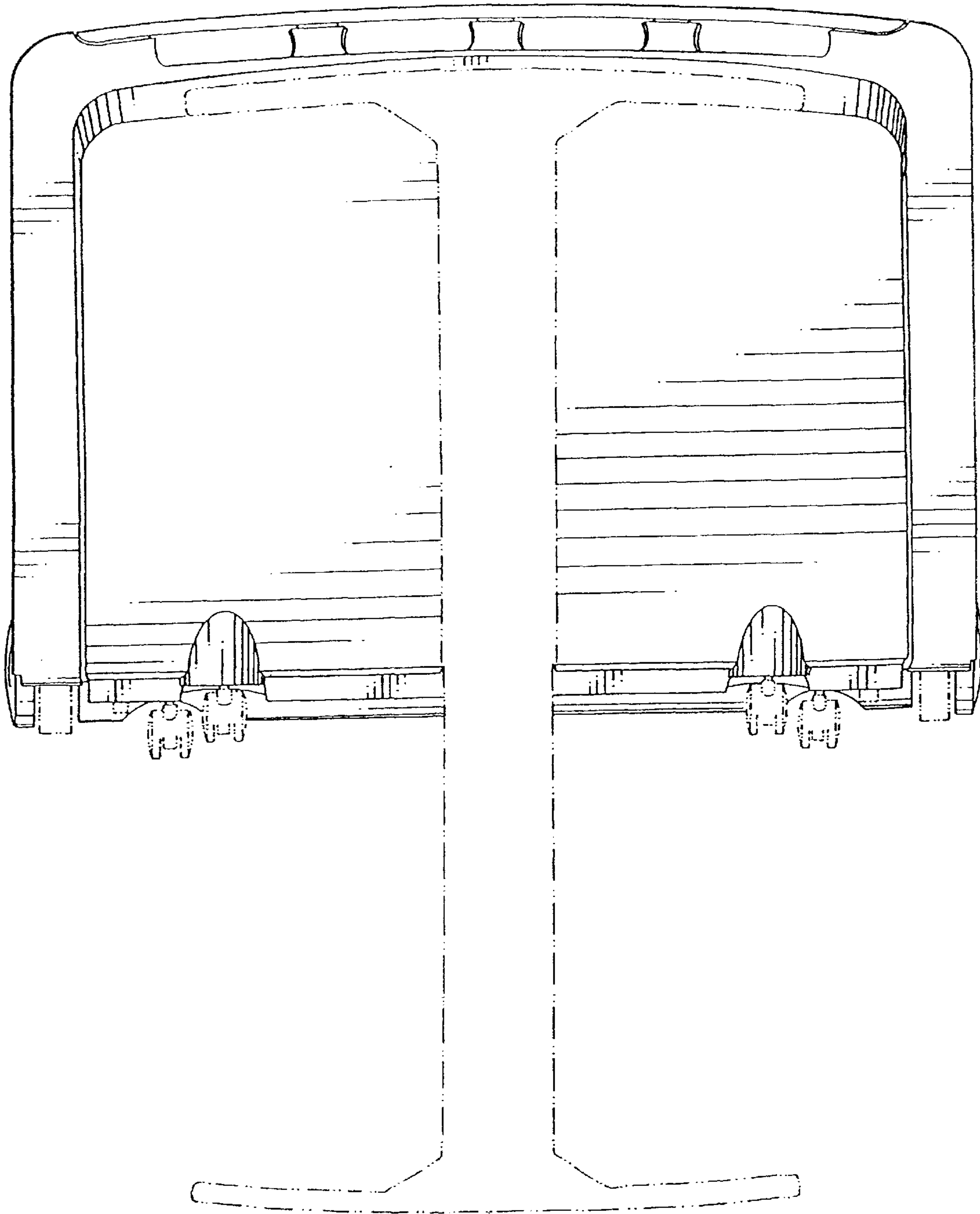


Fig. 5





*Fig. 6*



Fig. 7

