



US00D530462S

(12) **United States Design Patent**
Davis et al.

(10) **Patent No.:** **US D530,462 S**
(45) **Date of Patent:** **** Oct. 17, 2006**

(54) **RECHARGEABLE, BATTERY-OPERATED
CLEANING DEVICE WITH TELESCOPING
HANDLE AND ROTATING HEAD**

(76) Inventors: **Ann J. Davis**, 3656 S. Shalimar St.,
West Valley, UT (US) 84128; **Brian J.
Davis**, 3656 S. Shalimar St., West
Valley, UT (US) 84128

(**) Term: **14 Years**

(21) Appl. No.: **29/211,189**

(22) Filed: **Aug. 13, 2004**

(51) **LOC (8) Cl.** **15-05**

(52) **U.S. Cl.** **D32/15**

(58) **Field of Classification Search** D32/1,
D32/15, 16, 17, 19, 20, 21, 22, 23; 15/320,
15/321, 353, 327.1-327.2, 327.6, 50.1, 23,
15/28, 32, 34, 3.12, 302; D4/102

See application file for complete search history.

(56) **References Cited**

U.S. PATENT DOCUMENTS

1,827,003	A	10/1931	Gailhofer	
2,801,431	A	8/1957	Eastis	
3,813,721	A *	6/1974	Gaudio	15/29
4,461,052	A	7/1984	Mostul	
4,629,347	A	12/1986	Poppitz	
5,033,155	A	7/1991	Klotz	
D334,095	S *	3/1993	Beets et al.	D4/102
5,336,012	A	8/1994	Newville	
5,348,409	A	9/1994	Newman, Sr. et al.	

5,381,578	A *	1/1995	Armbruster	15/98
5,513,413	A *	5/1996	Myers et al.	15/246
5,797,157	A *	8/1998	Gregg	15/49.1
5,911,256	A	6/1999	Tsai	
6,374,447	B1 *	4/2002	Armbruster et al.	15/28
D482,530	S *	11/2003	Evans	D4/102
D482,533	S *	11/2003	Medina	D4/115
D498,027	S *	11/2004	Alsrüh et al.	D32/19
2004/0244131	A1 *	12/2004	Cassar	15/144.2

* cited by examiner

Primary Examiner—Louis S. Zarfes

Assistant Examiner—Kathleen Sims

(74) *Attorney, Agent, or Firm*—Donald R. Schoonover

(57) **CLAIM**

We claim the ornamental design for a rechargeable, battery-operated cleaning device with telescoping handle and rotating head, as shown and described.

DESCRIPTION

FIG. 1 is a perspective view of a rechargeable, battery-operated cleaning device with telescoping handle and rotating head showing our new design with a portion of the head disconnected therefrom;

FIG. 2 is a front elevational view thereof;

FIG. 3 is a rear elevational view thereof;

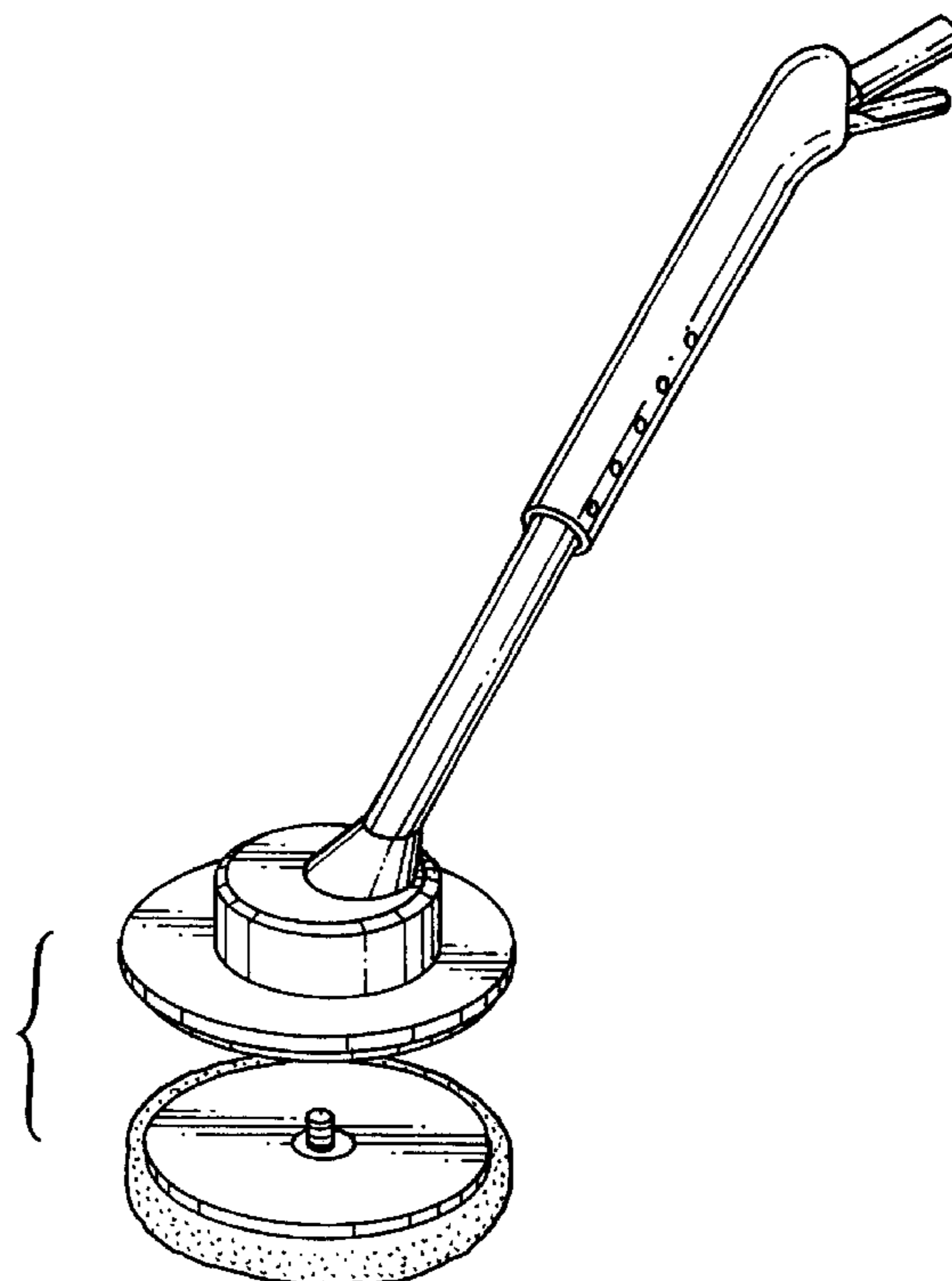
FIG. 4 is a left side elevational view thereof;

FIG. 5 is a right side elevational view thereof;

FIG. 6 is a top plan view thereof; and,

FIG. 7 is a bottom plan view thereof.

1 Claim, 4 Drawing Sheets



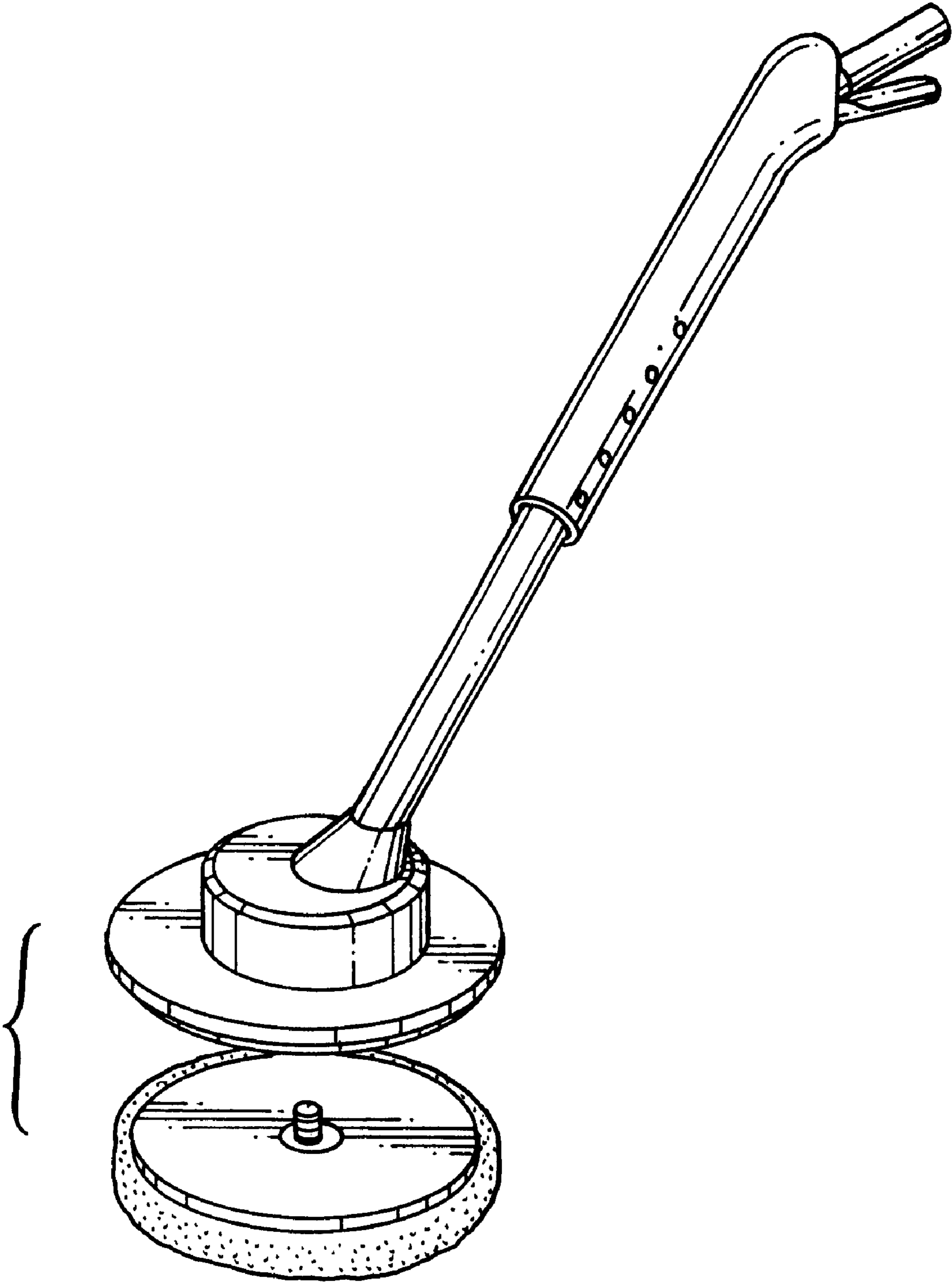


FIG. 1.

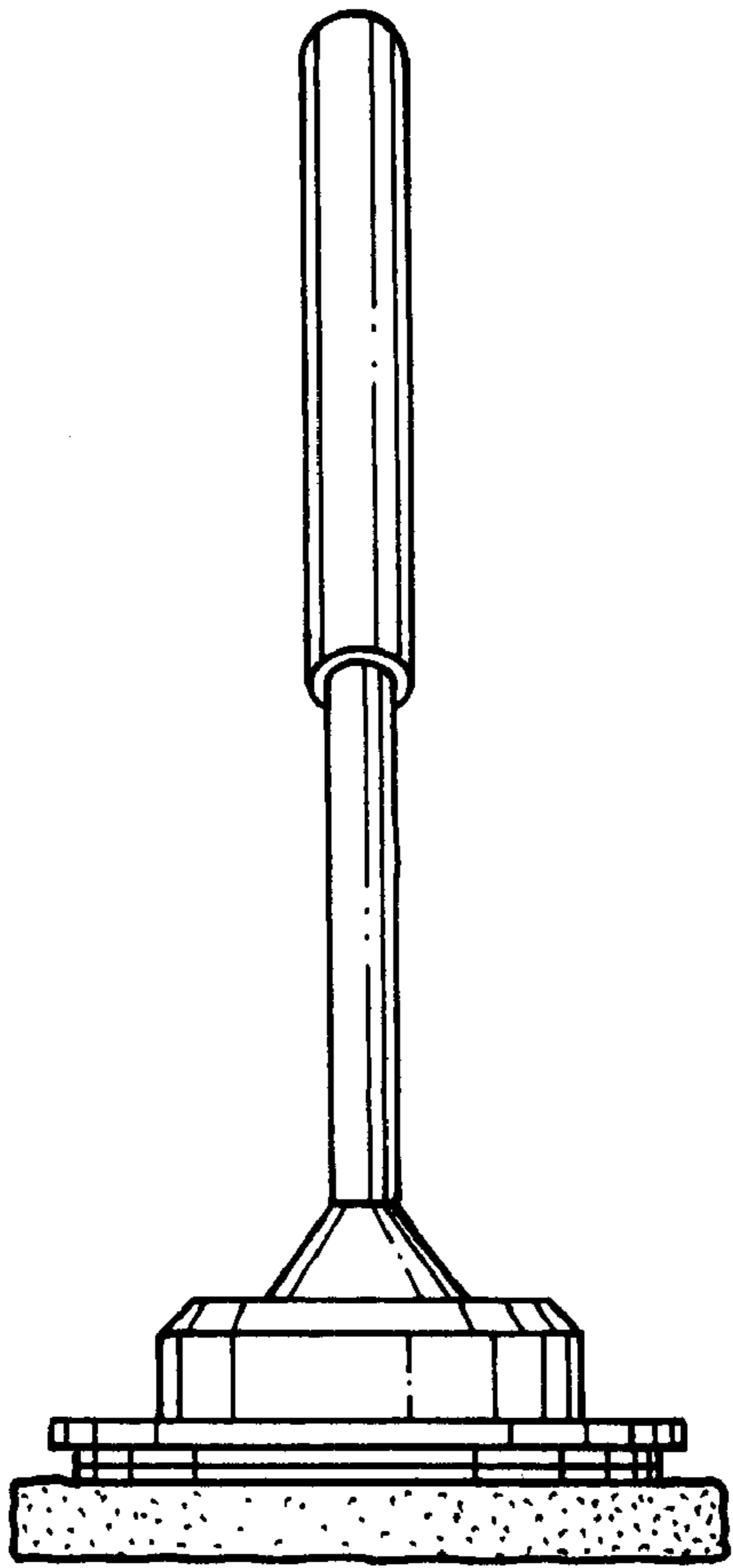


FIG. 2.

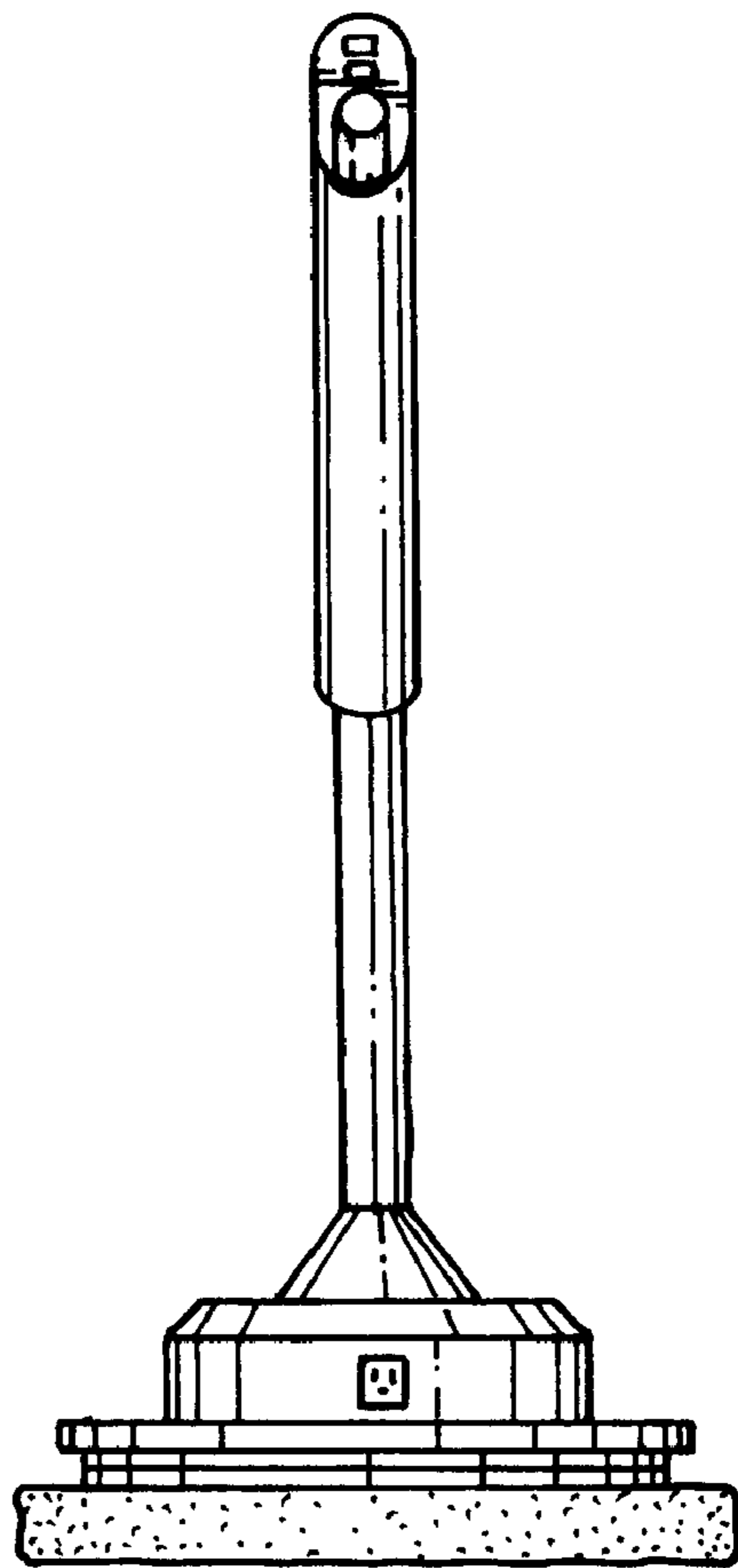


FIG. 3.

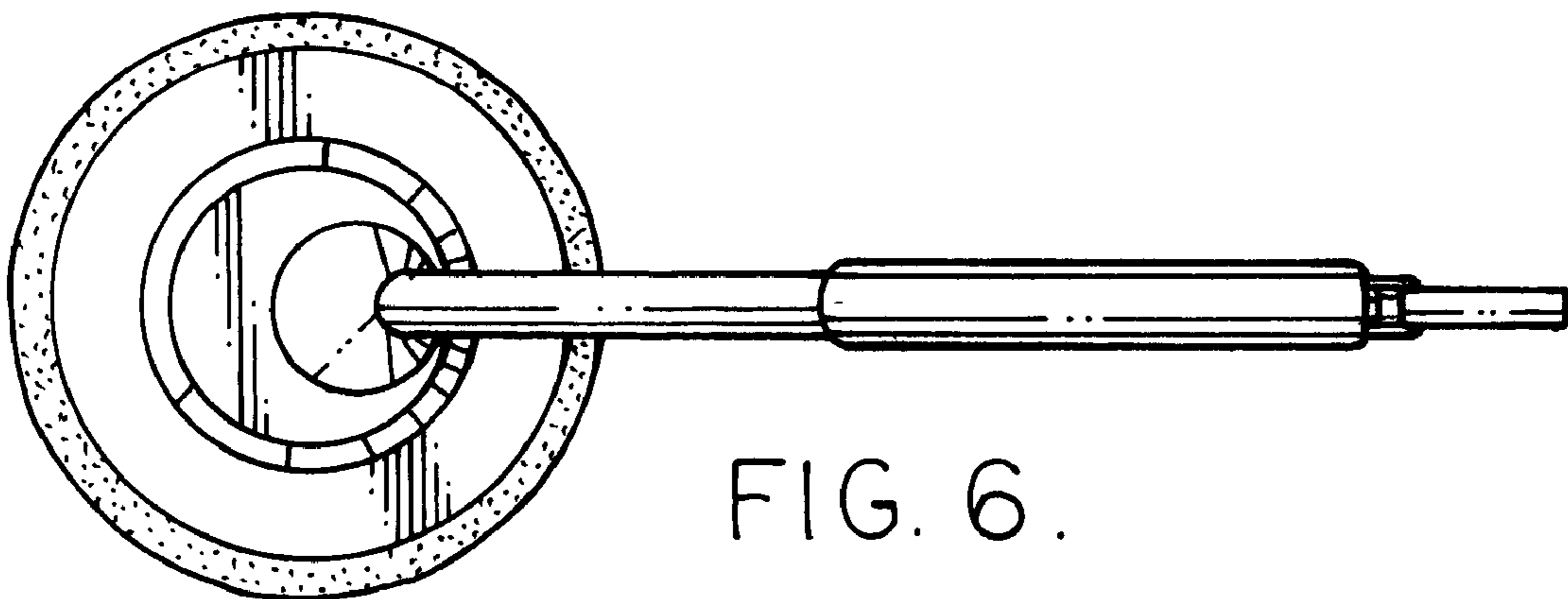


FIG. 6.

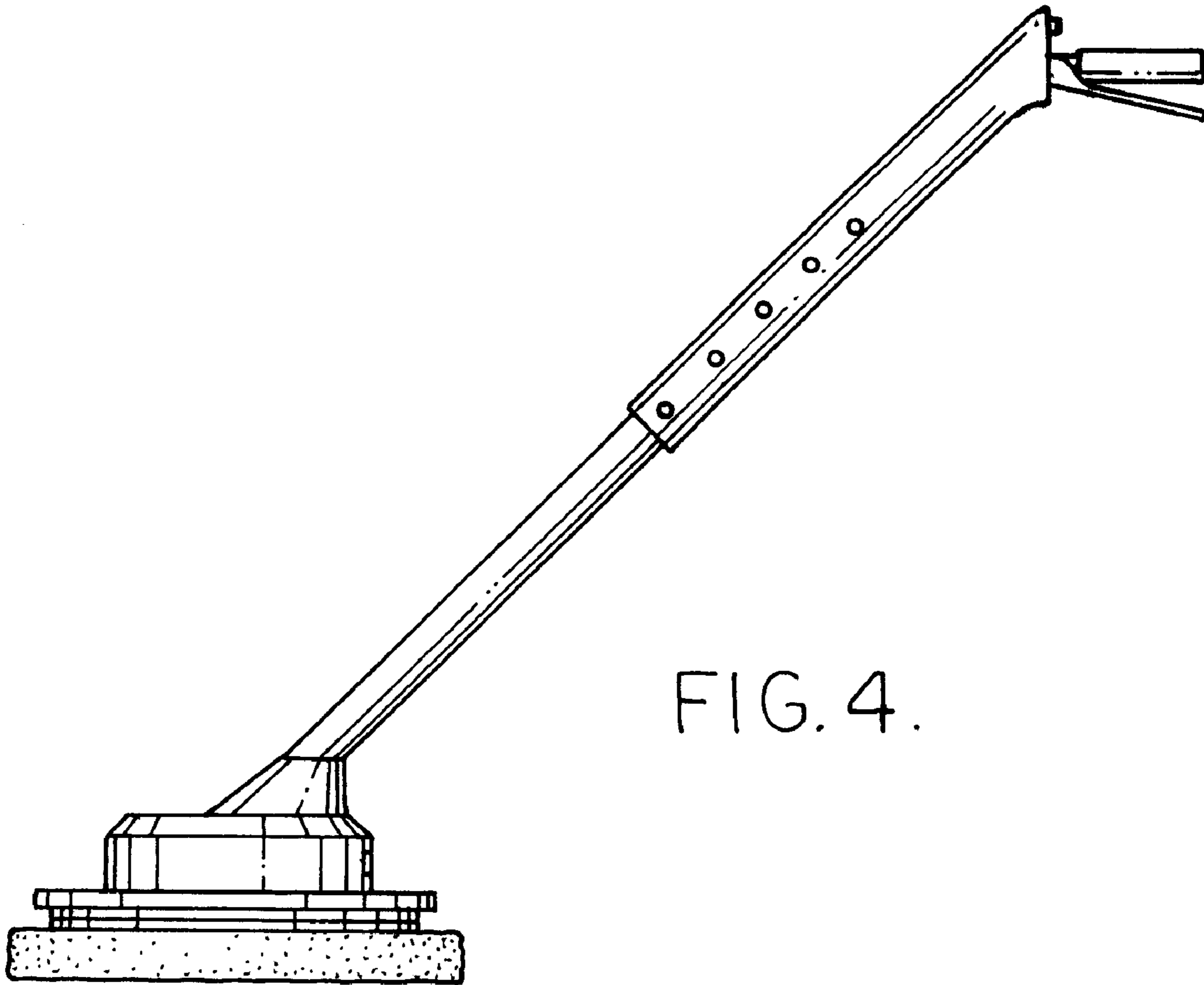


FIG. 4.

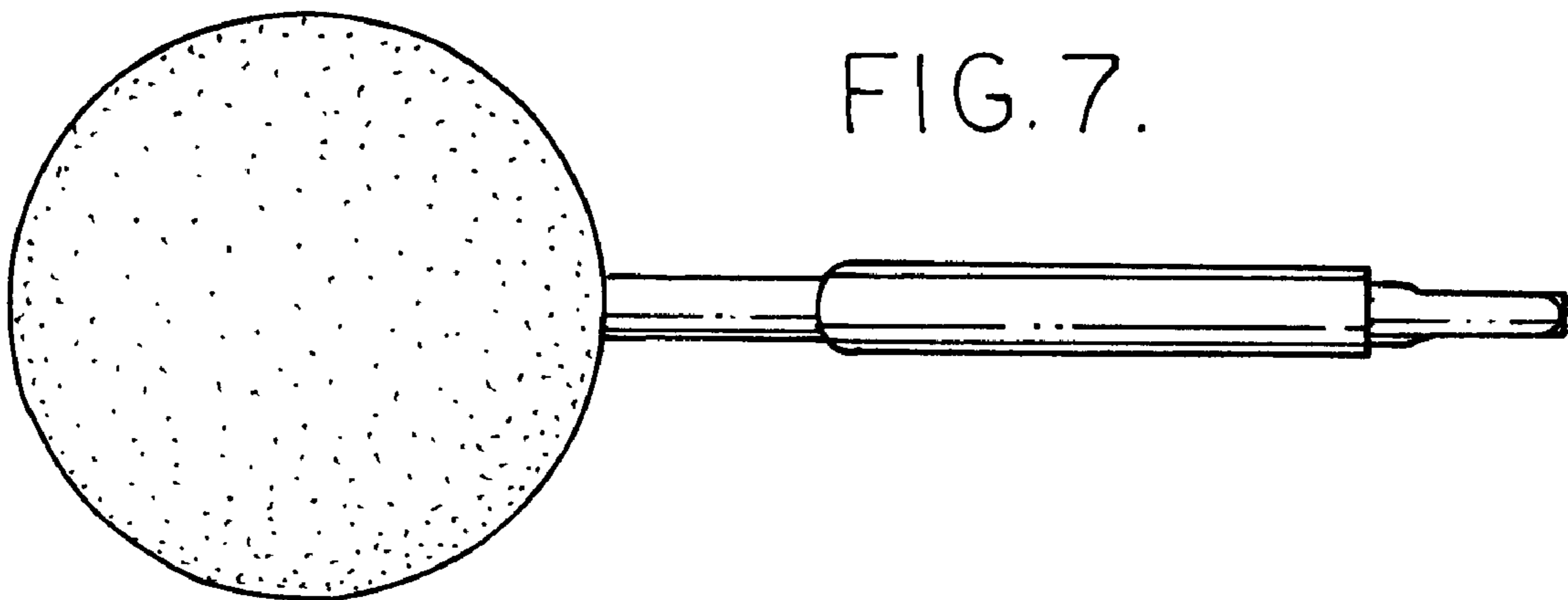


FIG. 7.

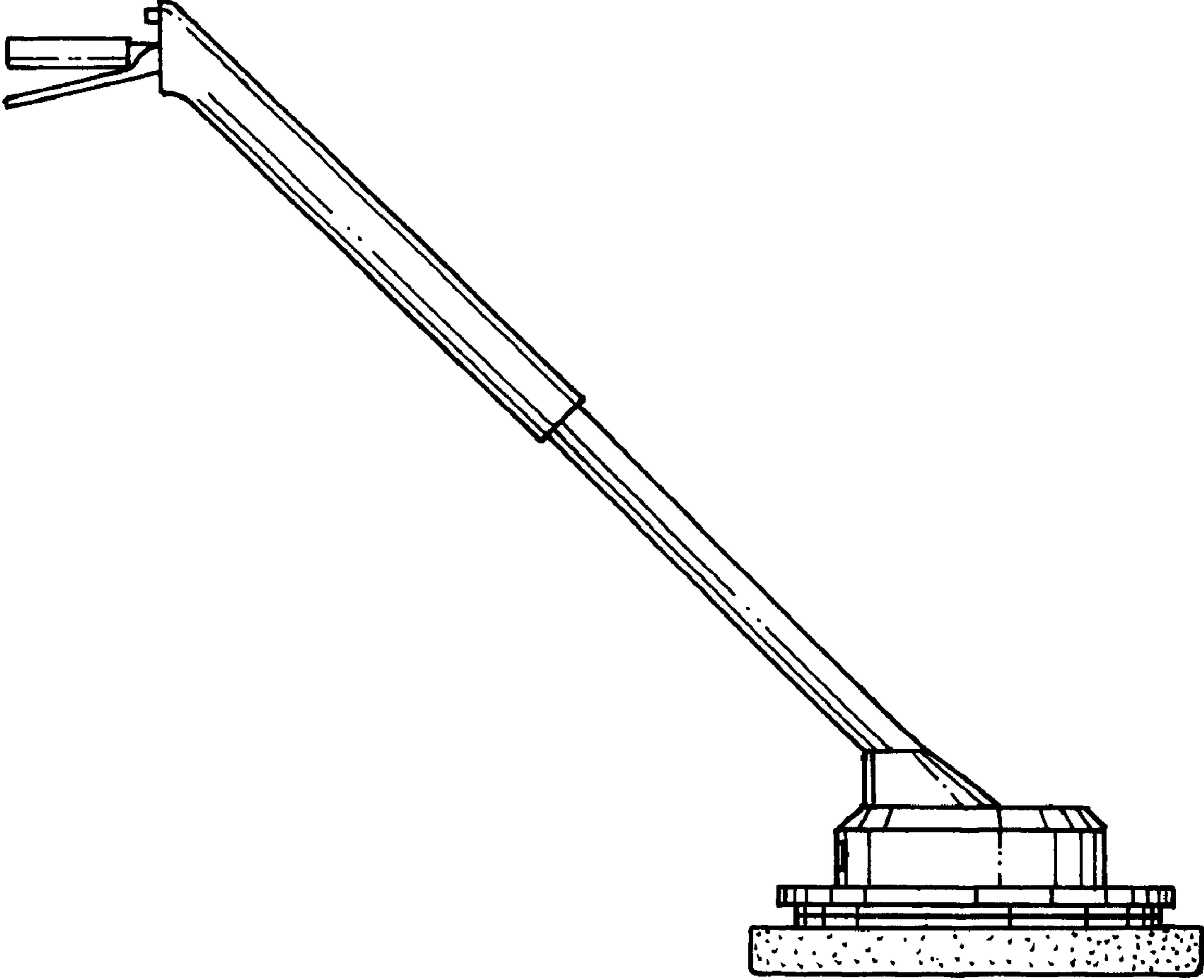


FIG. 5.