



US00D530459S

(12) **United States Design Patent**  
**White**

(10) **Patent No.:** **US D530,459 S**

(45) **Date of Patent:** **\*\* Oct. 17, 2006**

(54) **PET WASTE RETRIEVAL AND DISPOSAL TOOL**

(76) Inventor: **Esther Catherine White**, 6016 Rogers Ave., NE., Albuquerque, NM (US) 87110

(\*\*) Term: **14 Years**

(21) Appl. No.: **29/219,330**

(22) Filed: **Dec. 16, 2004**

(51) **LOC (8) Cl.** ..... **30-99**

(52) **U.S. Cl.** ..... **D30/162**

(58) **Field of Classification Search** ..... D30/162;  
D8/10; 294/1.3, 1.4, 49, 51, 54.5, 55, 55.5,  
294/99.2; 172/378, 380; 119/161, 163, 165-166  
See application file for complete search history.

(56) **References Cited**

U.S. PATENT DOCUMENTS

220,390	A	*	10/1879	Koska	.....	294/99.2
D49,863	S	*	11/1916	Seaman	.....	D7/686
1,417,619	A	*	5/1922	Male	.....	294/99.2
1,789,524	A	*	1/1931	Hall	.....	294/99.2
3,692,347	A	*	9/1972	Bixler	.....	294/99.2
3,778,097	A	*	12/1973	Dorzan	.....	294/1.4
D230,868	S	*	3/1974	Dorzan	.....	D30/162
3,977,715	A	*	8/1976	Casci	.....	294/1.4
4,148,513	A	*	4/1979	Gagne	.....	294/1.4

4,272,116	A		6/1981	Tufte, Jr.		
4,349,224	A	*	9/1982	Shiozaki	.....	294/1.4
D279,512	S	*	7/1985	Schaffer	.....	D30/162
D292,035	S	*	9/1987	Aksamit	.....	D30/162
D297,474	S		8/1988	Jiracek		
4,875,729	A		10/1989	Peck		
5,123,689	A	*	6/1992	Fields	.....	294/99.2
D341,300	S	*	11/1993	Parsons	.....	D30/162
5,400,572	A		3/1995	Peck et al.		
D374,110	S	*	9/1996	Hull et al.	.....	D30/162
5,551,569	A		9/1996	Garvin-Mazzarisi		
5,586,521	A		12/1996	Kelley		
D406,415	S	*	3/1999	Martin	.....	D30/162
D406,927	S	*	3/1999	Feldmeier	.....	D30/162
D461,027	S	*	7/2002	Gardner	.....	D30/162

\* cited by examiner

*Primary Examiner*—Cathy Anne MacCormac  
(74) *Attorney, Agent, or Firm*—Richard L. Mikesell

(57) **CLAIM**

The ornamental design for a pet waste retrieval and disposal tool, as shown and described.

**DESCRIPTION**

FIG. 1 is a top perspective view of a pet waste retrieval and disposal tool showing my new design; FIG. 2 is a reduced right side view thereof; and, FIG. 3 is a front view thereof.

**1 Claim, 1 Drawing Sheet**

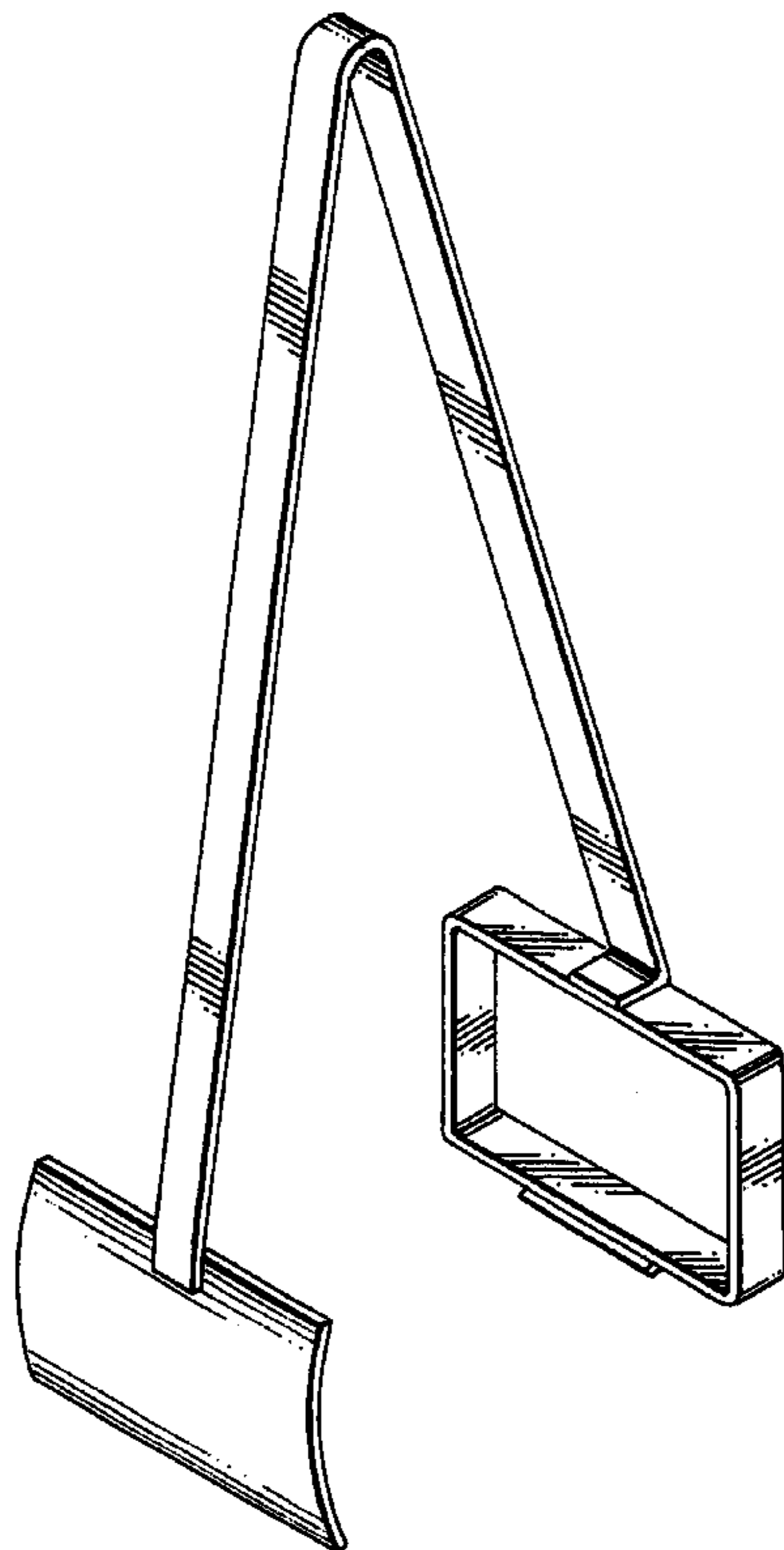


FIG. 1

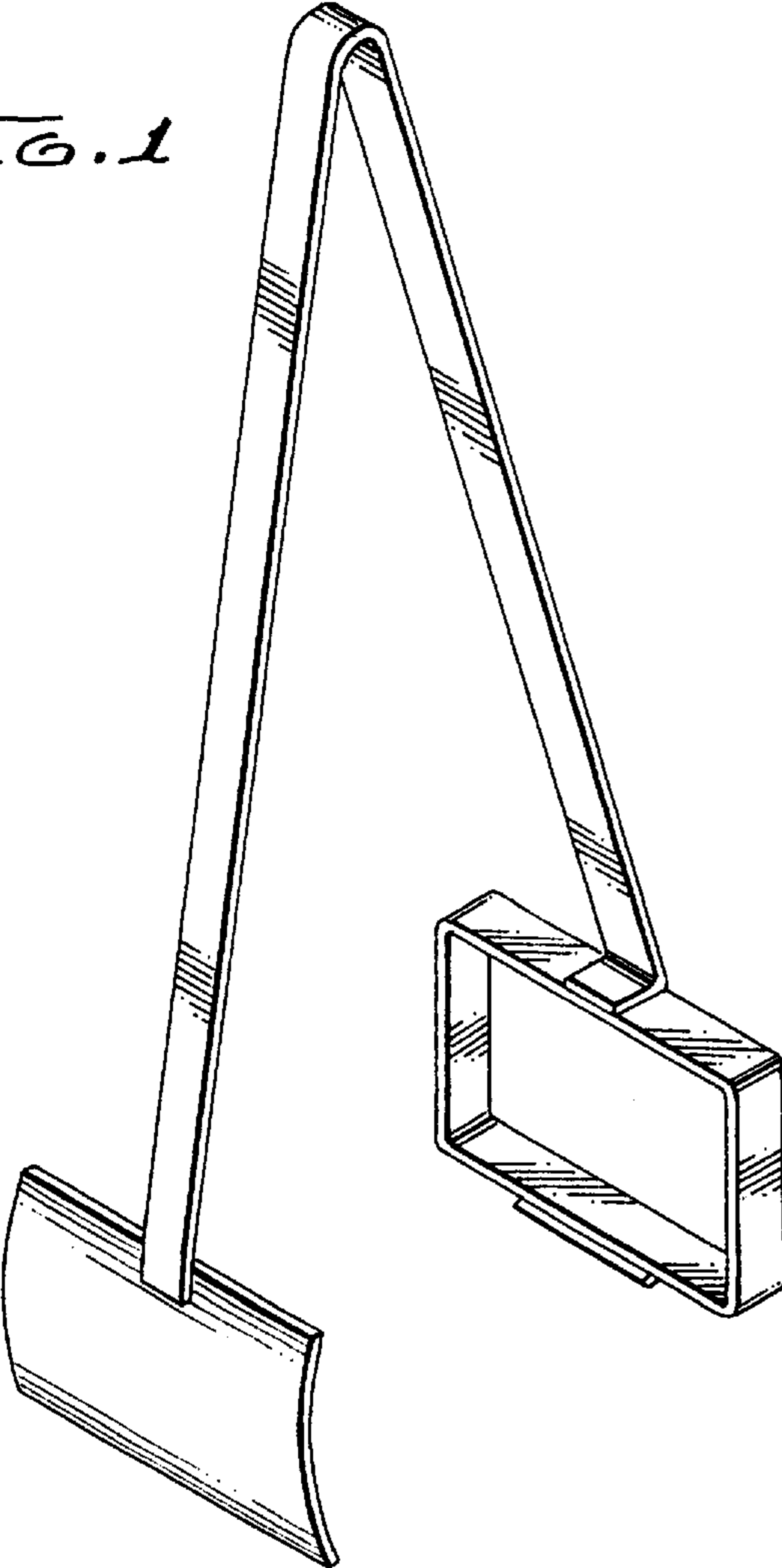


FIG. 3

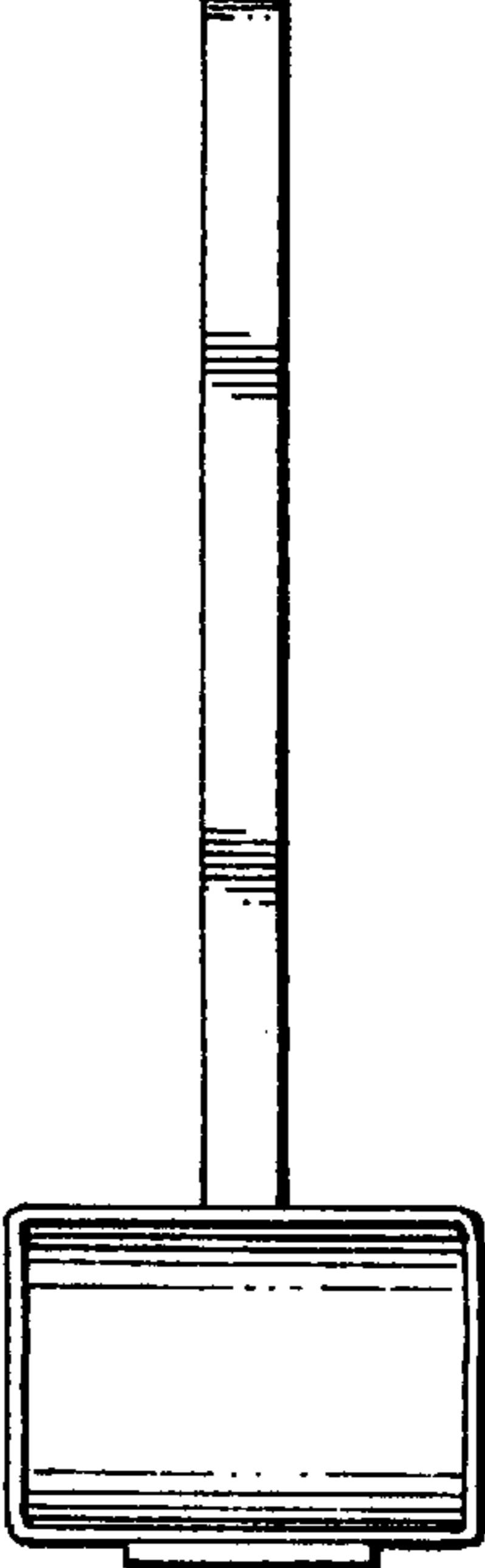


FIG. 2

