



US00D530457S

(12) **United States Design Patent**  
**Jung et al.**

(10) **Patent No.:** **US D530,457 S**

(45) **Date of Patent:** **\*\* Oct. 17, 2006**

(54) **HUMMINGBIRD FEEDER**

(75) Inventors: **Richard K. Jung**, Laguna Niguel, CA  
(US); **Joie L. Puckett**, Long Beach, CA  
(US)

(73) Assignee: **Perky-Pet Products Company, Inc.**,  
Denver, CO (US)

(\*\*) **Term:** **14 Years**

(21) Appl. No.: **29/210,624**

(22) Filed: **Aug. 2, 2004**

(51) **LOC (8) Cl.** ..... **30-03**

(52) **U.S. Cl.** ..... **D30/127**

(58) **Field of Classification Search** ..... D30/121,  
D30/124-28, 110, 115, 117, 119; 119/51.01,  
119/57.8, 53, 428-29, 433-35, 469  
See application file for complete search history.

(56) **References Cited**

**U.S. PATENT DOCUMENTS**

- 1,566,571 A \* 12/1925 Appleton ..... 119/77
- 2,267,883 A \* 12/1941 Wood ..... 119/77
- 2,591,459 A \* 4/1952 Meany ..... 119/52.1
- 3,372,676 A \* 3/1968 Williams ..... 119/52.3

- 4,691,665 A \* 9/1987 Hefner ..... 119/77
- 4,901,673 A \* 2/1990 Overstreet ..... 119/77
- 4,938,168 A \* 7/1990 Meidell ..... 119/77
- 5,195,463 A \* 3/1993 Lorenzana et al. .... 119/77

\* cited by examiner

*Primary Examiner*—Alan P. Douglas  
*Assistant Examiner*—Susan Moon Lee

(74) *Attorney, Agent, or Firm*—Timothy J. Martin; Michael  
R. Henson

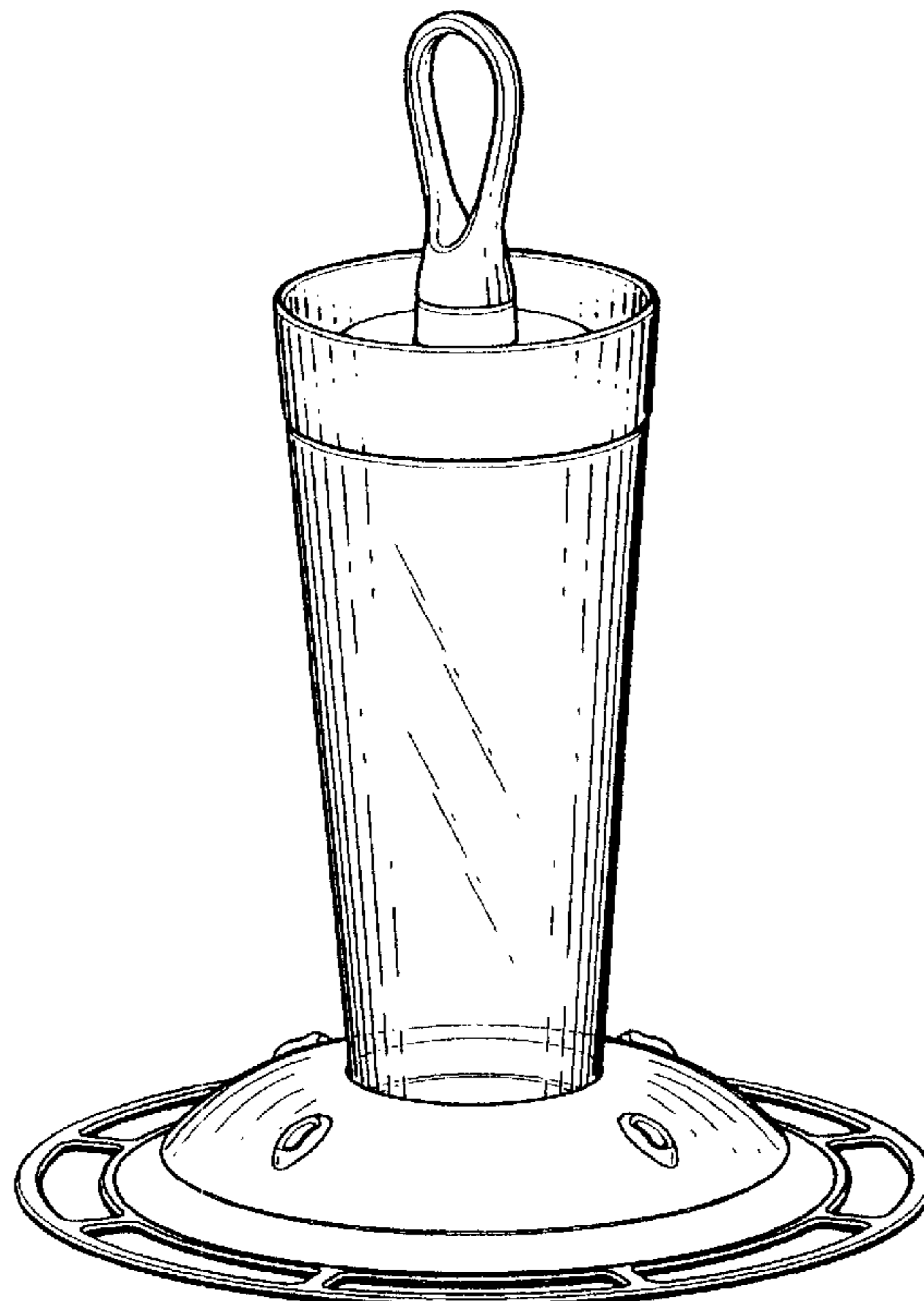
(57) **CLAIM**

The ornamental design for a hummingbird feeder, as shown.

**DESCRIPTION**

FIG. 1 is a perspective view of a hummingbird feeder showing our new design;  
 FIG. 2 is front view in elevation of the hummingbird feeder shown in FIG. 1;  
 FIG. 3 is a top plan view of the hummingbird feeder shown in FIG. 1;  
 FIG. 4 is a bottom plan view of the hummingbird feeder shown in FIG. 1; and,  
 FIG. 5 is a side view in elevation of the hummingbird feeder shown in FIG. 1.

**1 Claim, 1 Drawing Sheet**



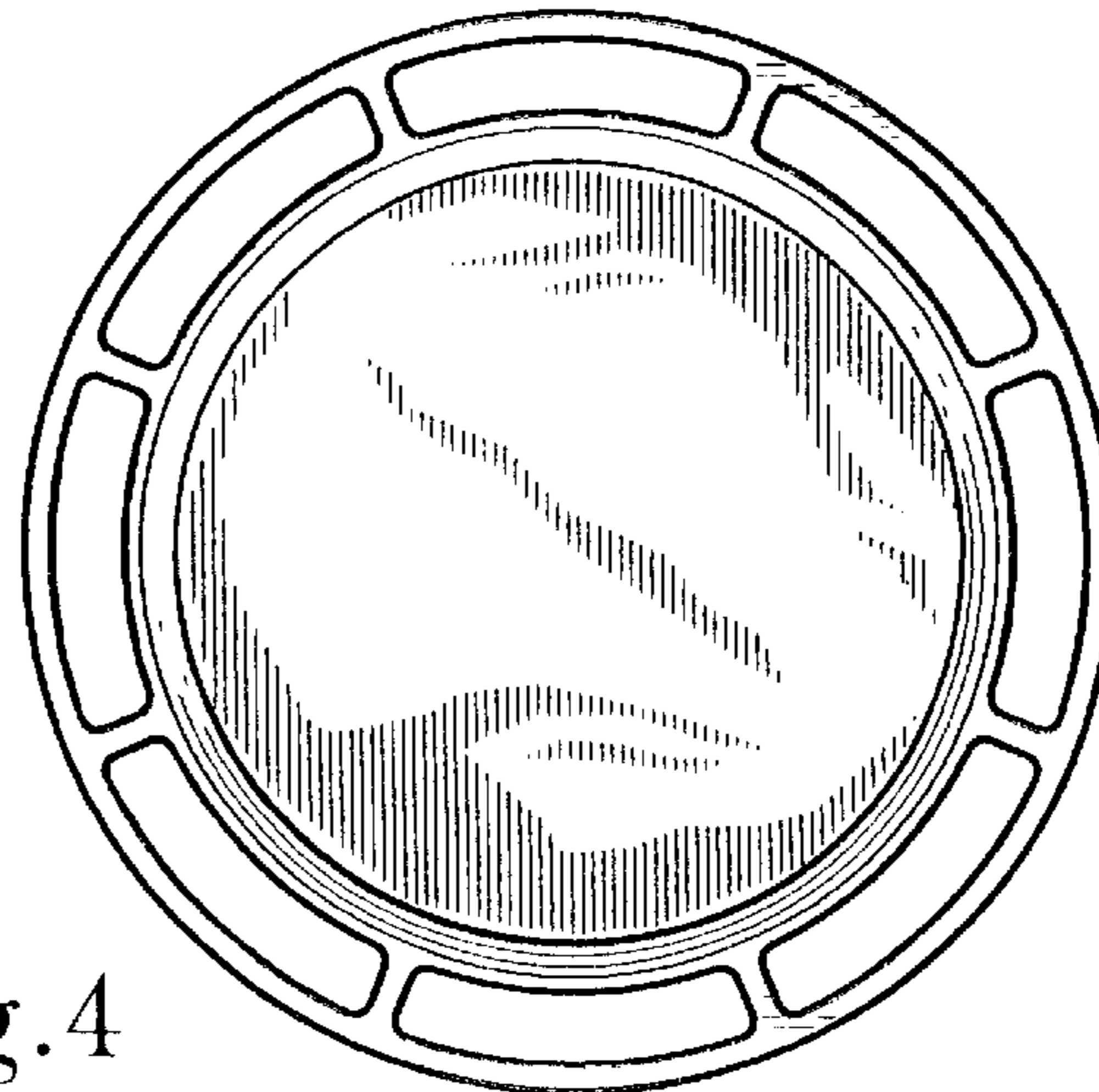
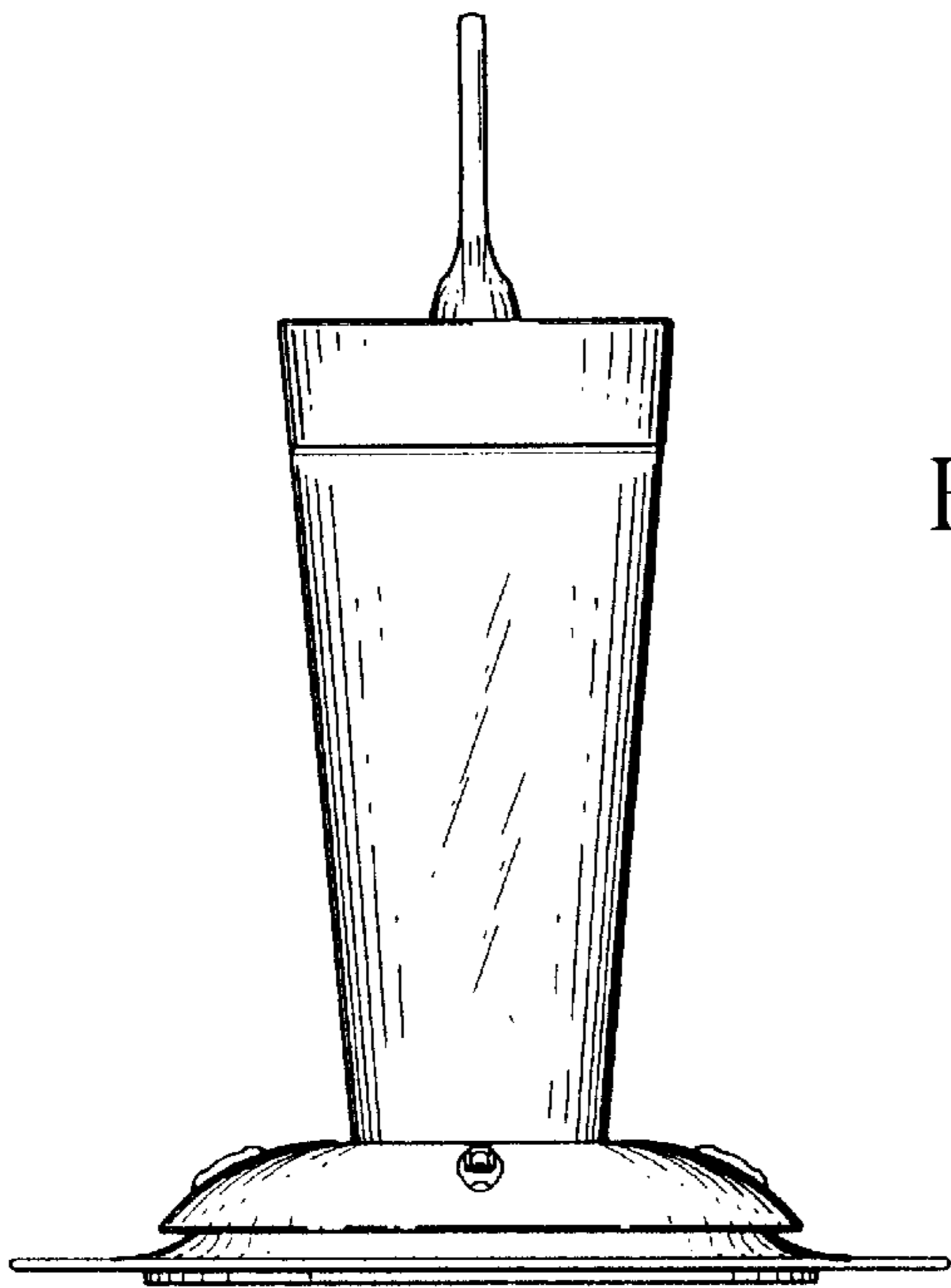
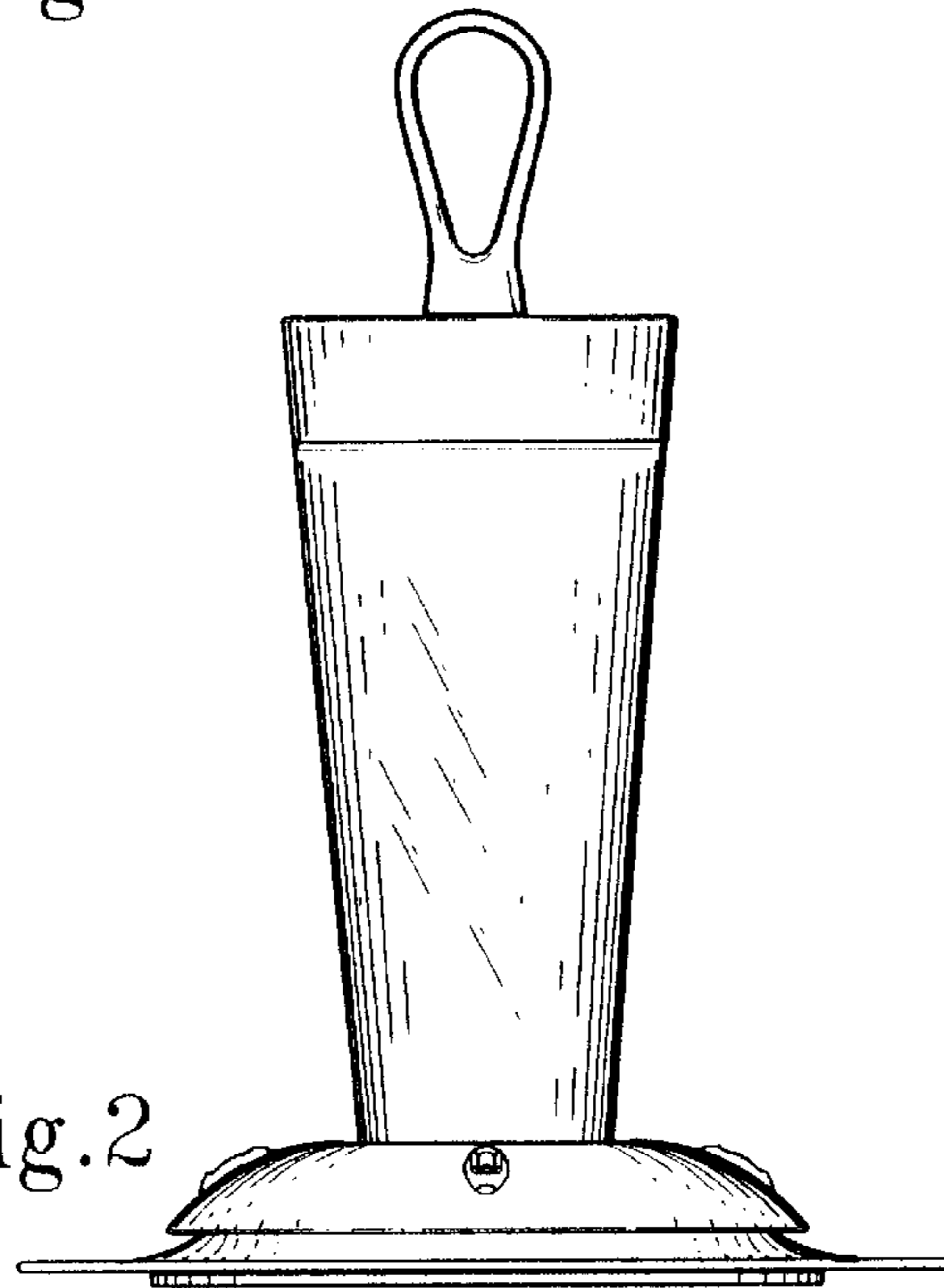
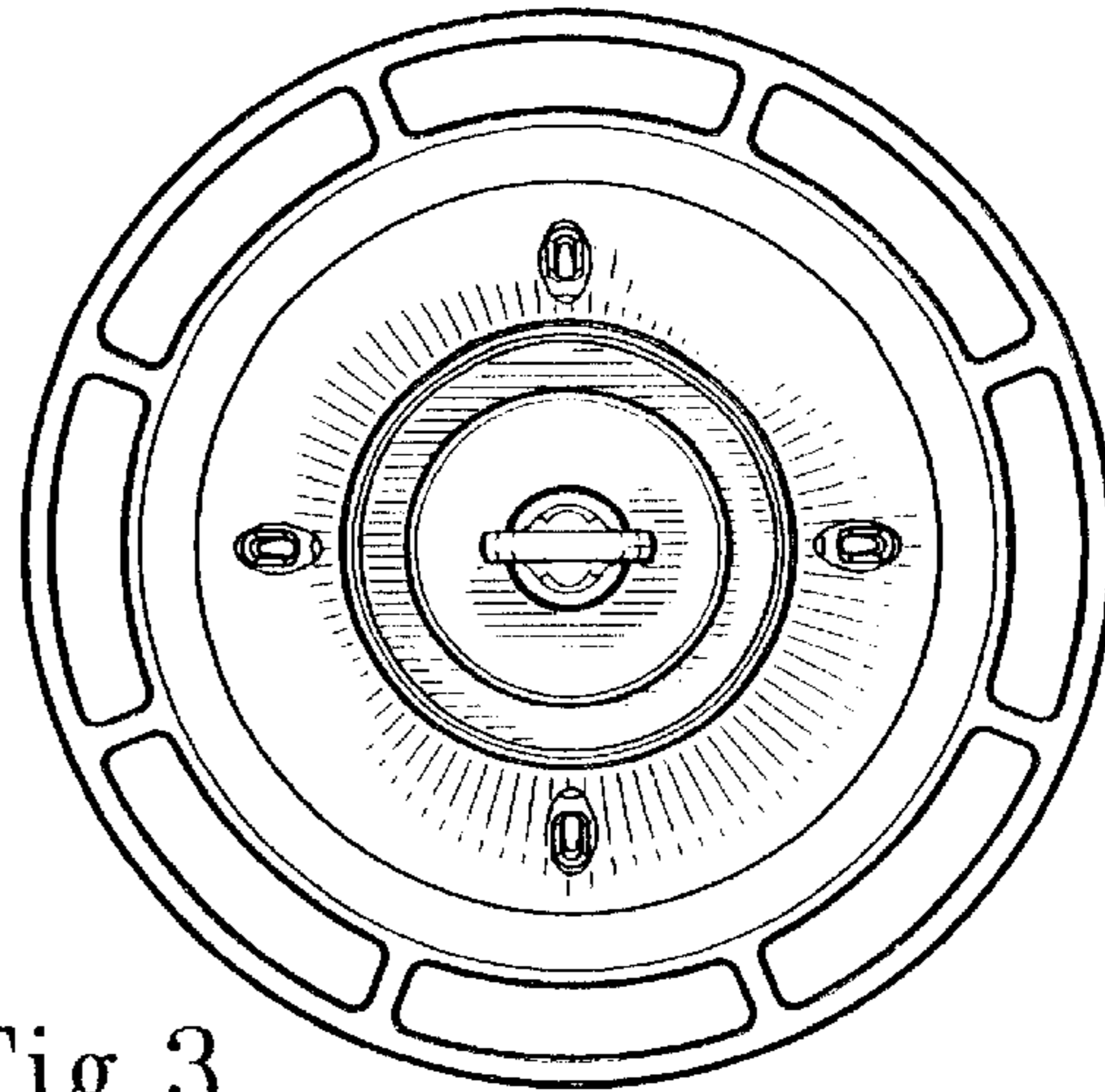
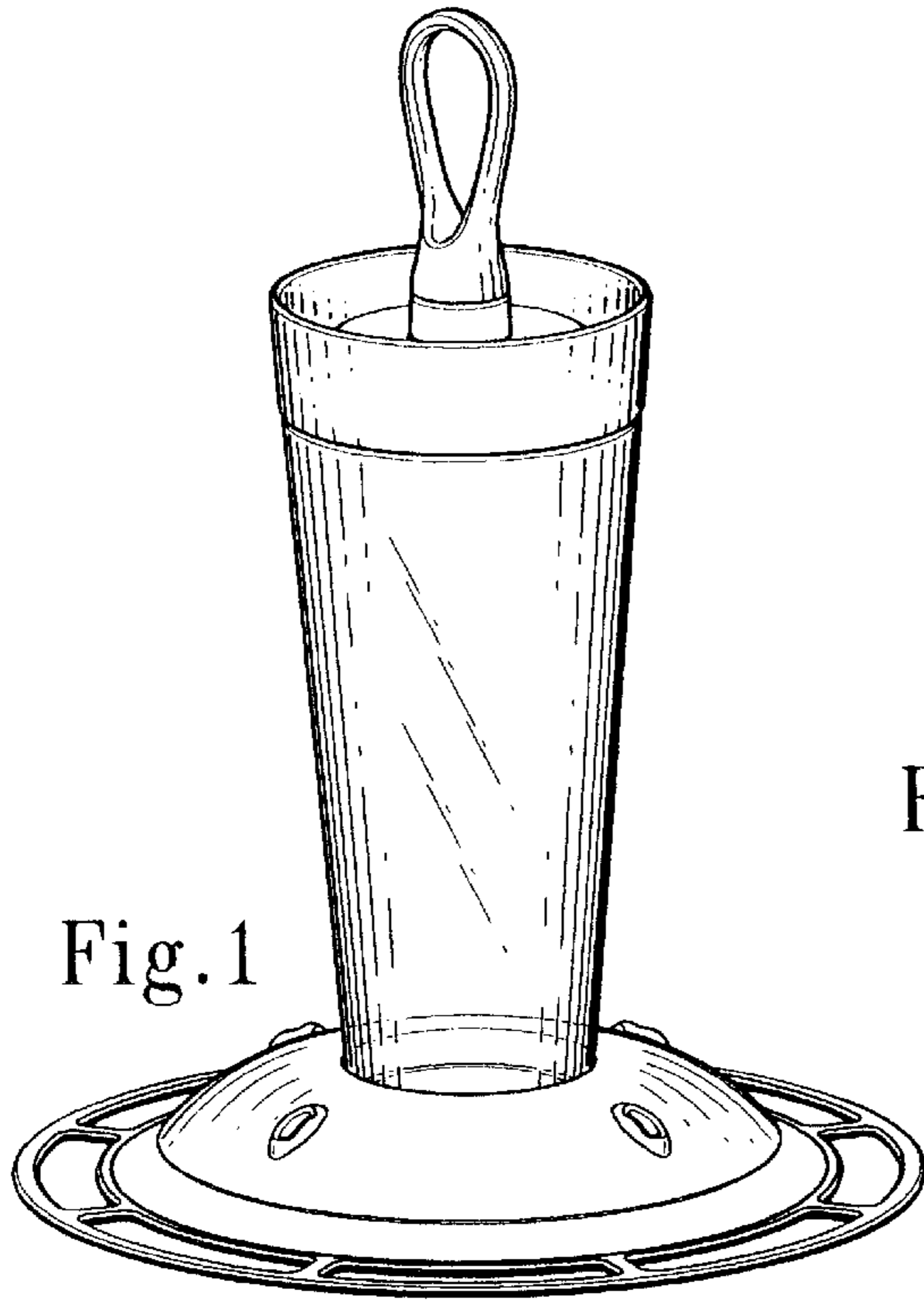


Fig. 5

Fig. 4