



US00D530456S

(12) **United States Design Patent**
Taylor et al.

(10) **Patent No.:** **US D530,456 S**
(45) **Date of Patent:** **** Oct. 17, 2006**

(54) **FOOTBALL HELMET BIRDHOUSE**
(76) Inventors: **Michael David Taylor**, 8274 Genesis Ave., Plain City, OH (US) 43064;
Steven Edward Carpenter, Jr., 2442 S. Urbana-Lisbon Rd., South Charleston, OH (US) 45368; **Marlene June Taylor**, 8274 Genesis Ave., Plain City, OH (US) 43064

5,943,981 A 8/1999 Chrisco 119/428
D417,527 S * 12/1999 Knuth et al. D30/111
D427,385 S 6/2000 Wawzonek D30/110
D432,278 S 10/2000 Navratil D30/110
D452,943 S * 1/2002 Gallegos D30/125
6,397,781 B1 6/2002 Bellington 119/431
D465,067 S * 10/2002 Ide et al. D29/106
6,477,983 B1 11/2002 Bette 119/428
D508,298 S * 8/2005 Bernacchi et al. D29/111
D509,928 S * 9/2005 Barnoski D29/107

(**) Term: **14 Years**

* cited by examiner

(21) Appl. No.: **29/197,702**

Primary Examiner—Louis S. Zarfaz

Assistant Examiner—Anhdao Doan

(22) Filed: **Jan. 20, 2004**

(74) *Attorney, Agent, or Firm*—Stanley Law Group LLP

(51) **LOC (8) Cl.** **30-02**

(57) **CLAIM**

(52) **U.S. Cl.** **D30/111**

(58) **Field of Classification Search** D30/108–119,
D30/125; 119/452, 453, 459, 464, 475, 537;
D29/102, 103, 105, 106, 108, 111; 2/173,
2/205

The ornamental design for a football helmet birdhouse, as shown and described.

See application file for complete search history.

DESCRIPTION

(56) **References Cited**

FIG. 1 is a perspective view of the football helmet birdhouse of the present invention;

FIG. 2 is a side elevational view thereof;

FIG. 3 is a top plan view thereof;

FIG. 4 is a bottom plan view thereof;

FIG. 5 is a front elevational view thereof; and,

FIG. 6 is a rear elevational view thereof.

The broken lines are for illustrative purposes only and form no part of the claimed design.

U.S. PATENT DOCUMENTS

D243,464 S 2/1977 Greene D30/3
4,380,336 A 4/1983 Pratt 273/157 R
D281,026 S 10/1985 Burke et al. D30/3
D358,907 S 5/1995 Spivey D30/110
D368,989 S 4/1996 Prehart D30/111
D370,312 S 5/1996 Prehart D30/111
D406,922 S * 3/1999 Darbutas D30/111

1 Claim, 3 Drawing Sheets

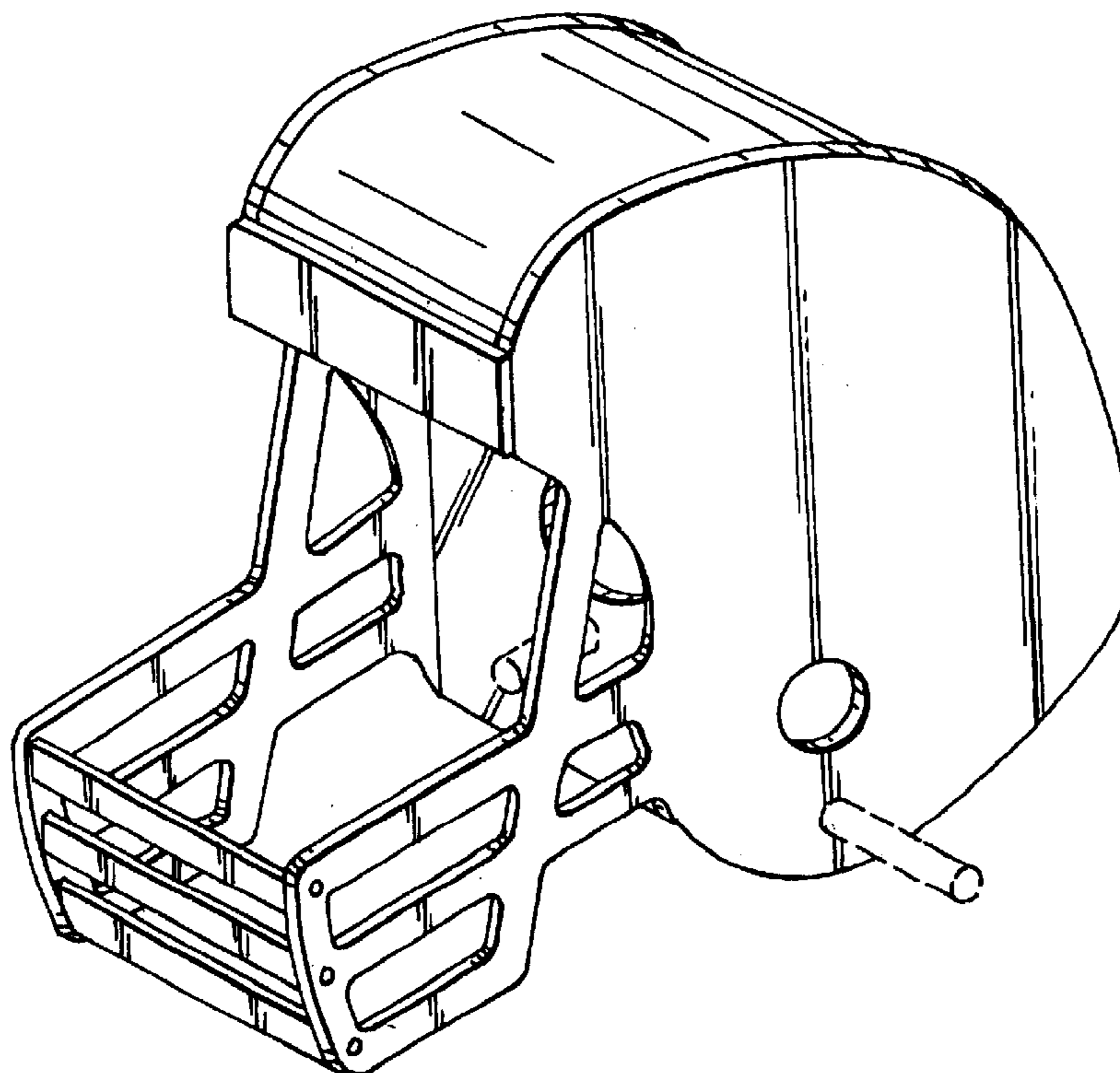


Fig. 1

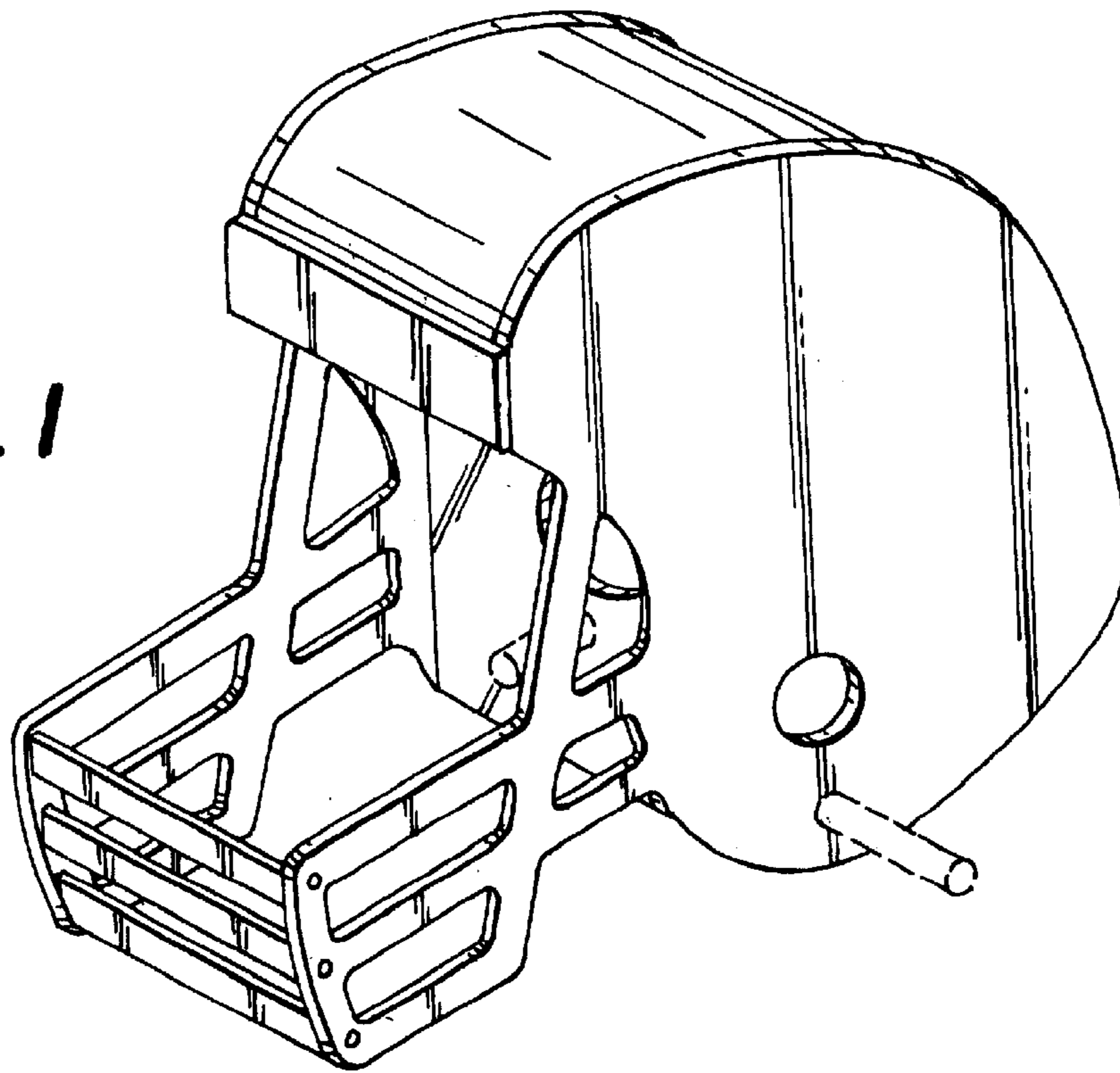
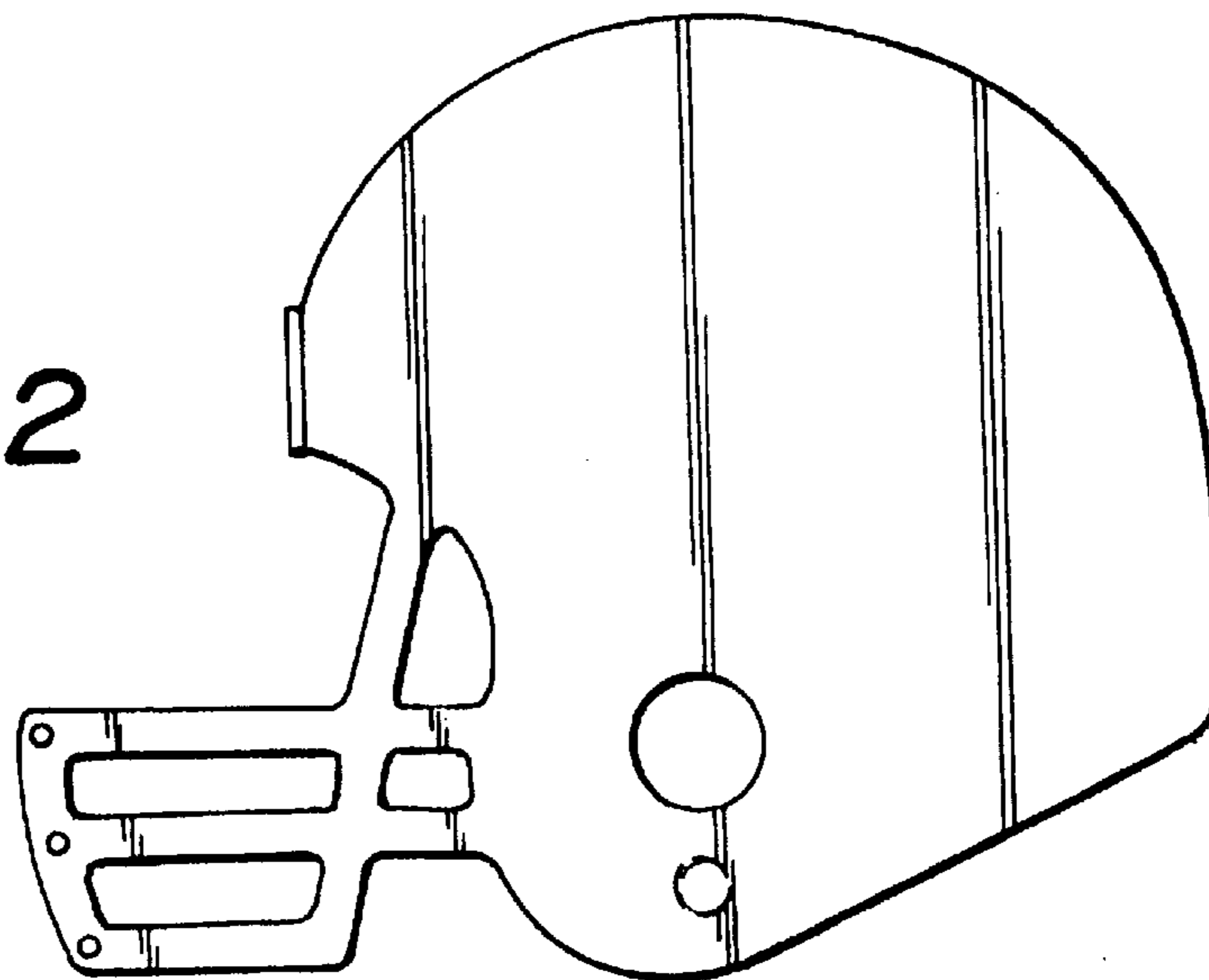


Fig. 2



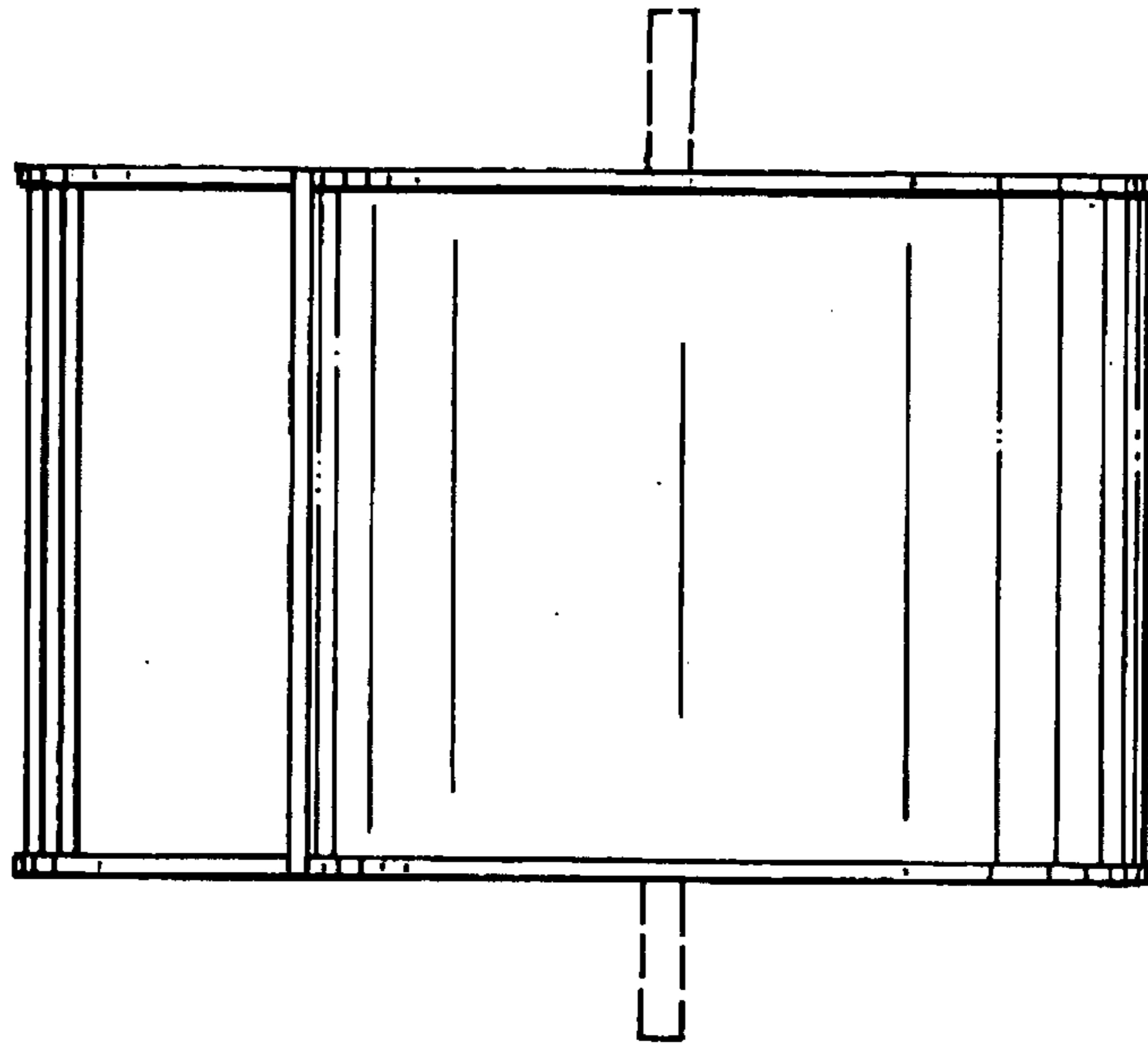


Fig. 3

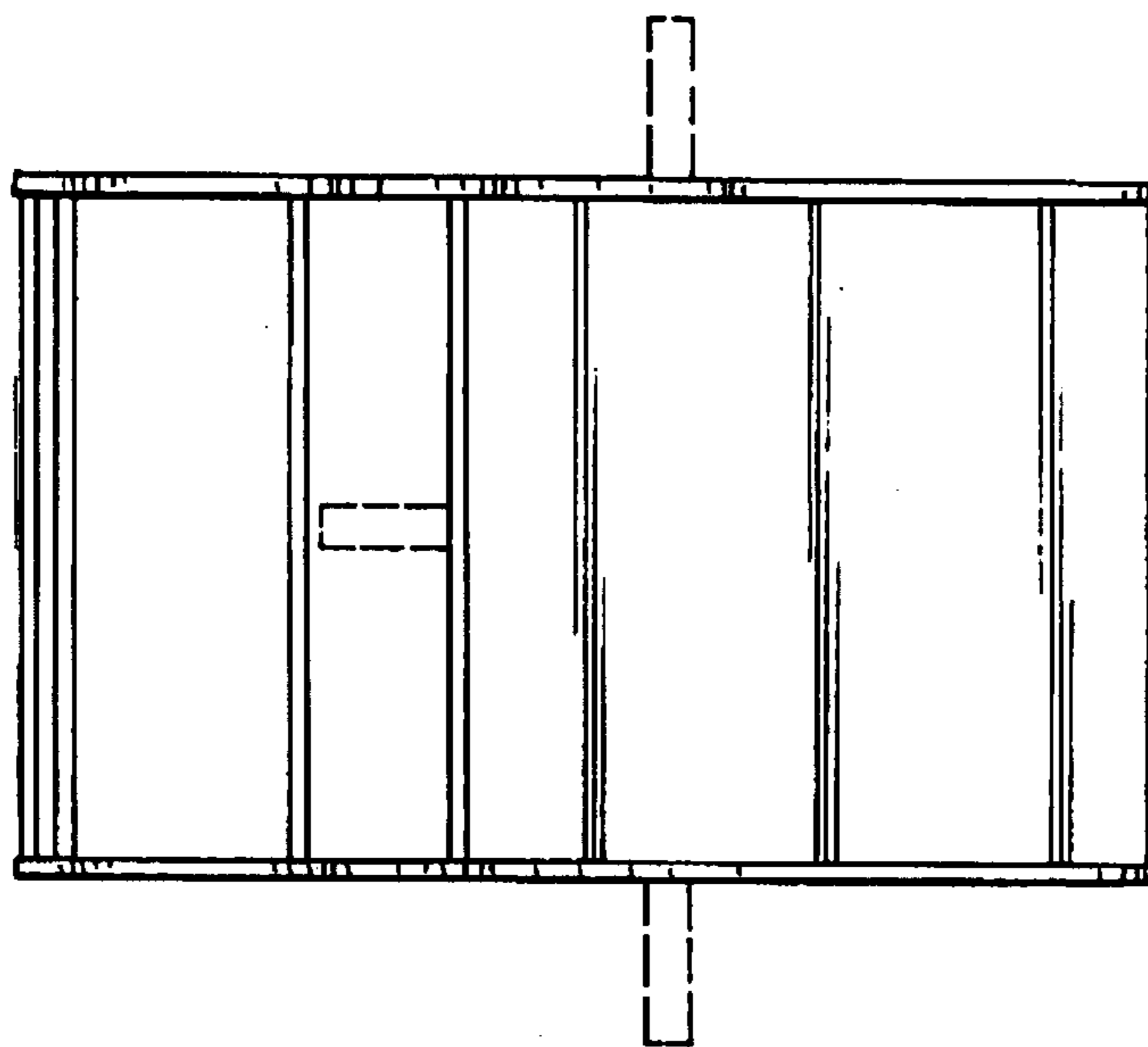


Fig. 4

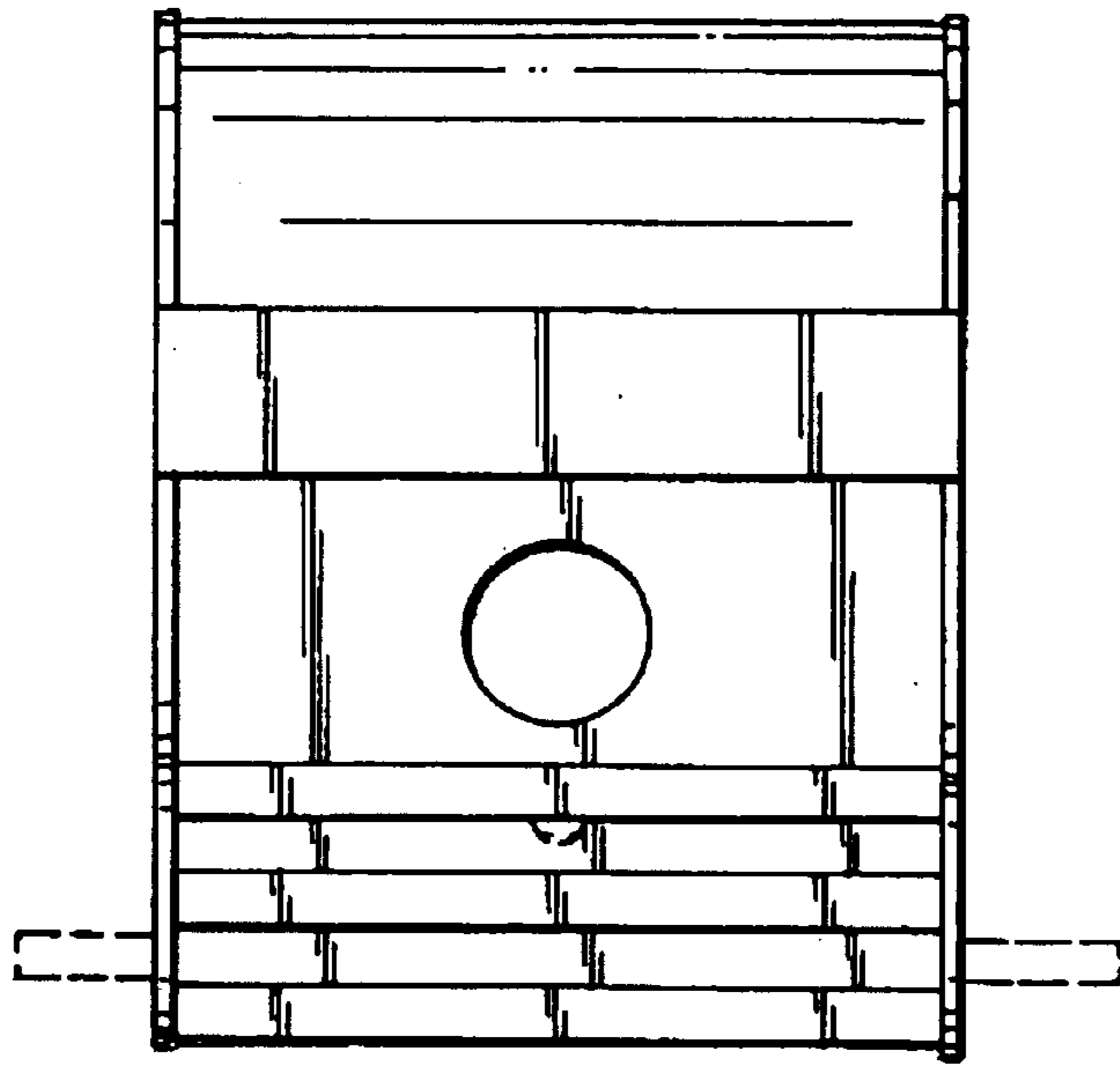


Fig. 5

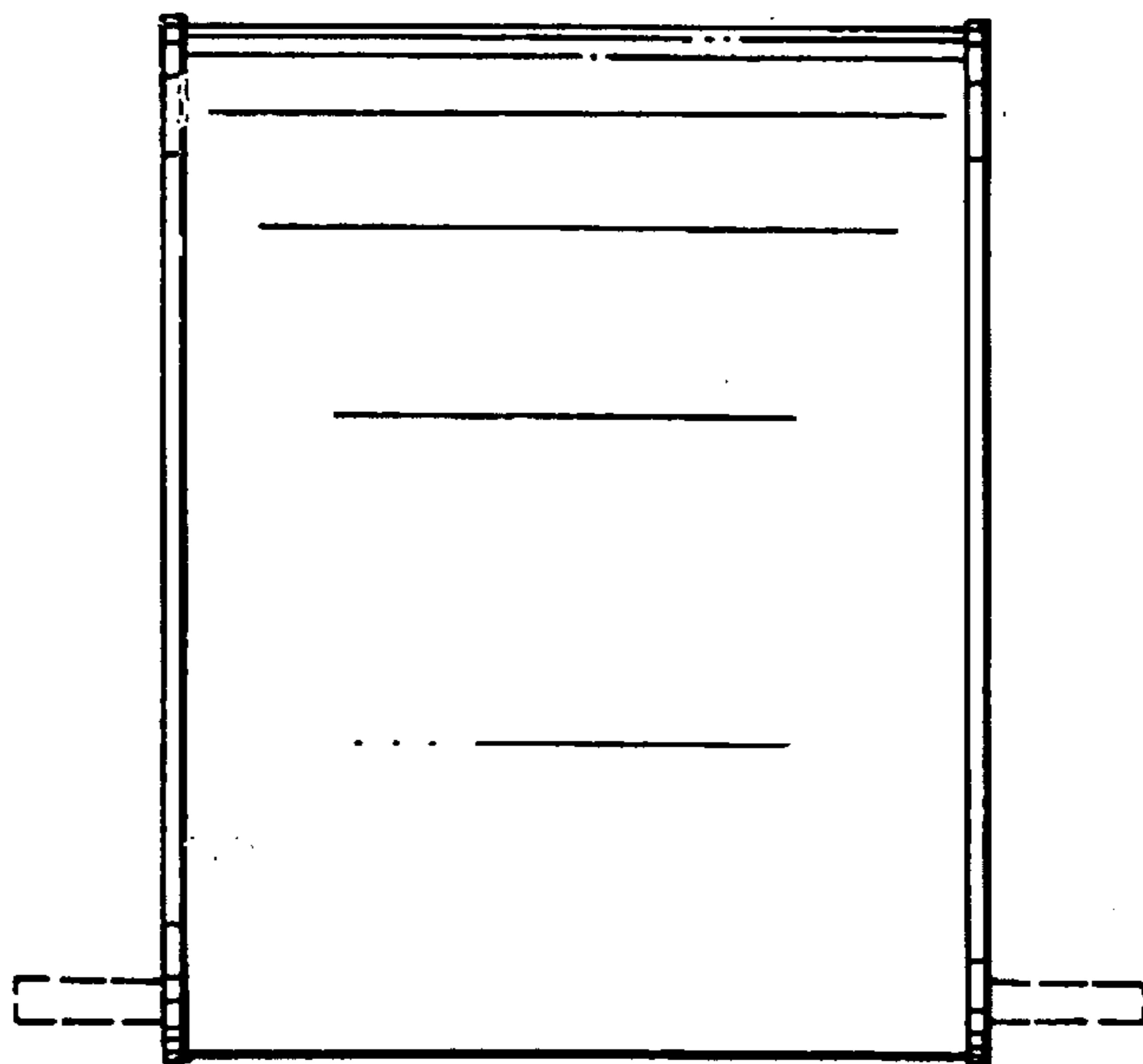


Fig. 6