



US00D530450S

(12) **United States Design Patent**
Park

(10) **Patent No.:** **US D530,450 S**

(45) **Date of Patent:** **** Oct. 17, 2006**

(54) **NAIL AND TOENAIL CARE INSTRUMENT**

(75) **Inventor:** **Il Yong Park**, Seoul (KR)

(73) **Assignee:** **Shinwoo Union Co., Ltd.**, Seoul (KR)

(**) **Term:** **14 Years**

(21) **Appl. No.:** **29/215,466**

(22) **Filed:** **Oct. 19, 2004**

(30) **Foreign Application Priority Data**

Aug. 31, 2004 (KR) 30-2004-0026670

(51) **LOC (8) Cl.** **28-03**

(52) **U.S. Cl.** **D28/59**

(58) **Field of Classification Search** 132/73,
132/73.5, 75, 75.3, 75.4, 75.6, 76.2, 76.4,
132/76.5; D28/56, 57, 59

See application file for complete search history.

(56) **References Cited**

U.S. PATENT DOCUMENTS

D227,714 S * 7/1973 Ishii D28/59

D369,438 S * 4/1996 Resler D28/59

D459,548 S * 6/2002 Torkiya D28/59
D467,389 S * 12/2002 Torkiya D28/59
D513,093 S * 12/2005 Kim D28/59
2006/0054177 A1 * 3/2006 Kim 132/76.4

* cited by examiner

Primary Examiner—Jennifer Rivard

(74) *Attorney, Agent, or Firm*—The Webb Law Firm

(57) **CLAIM**

The ornamental design for a nail and toenail care instrument, as shown.

DESCRIPTION

FIG. 1 is a perspective view of a nail and toenail care instrument in accordance with the present invention;

FIG. 2 is a front view thereof;

FIG. 3 is a rear view thereof;

FIG. 4 is a right side view thereof;

FIG. 5 is a left side view thereof;

FIG. 6 is a top view thereof;

FIG. 7 is a bottom view thereof; and,

FIG. 8 is an exploded perspective view thereof.

1 Claim, 8 Drawing Sheets

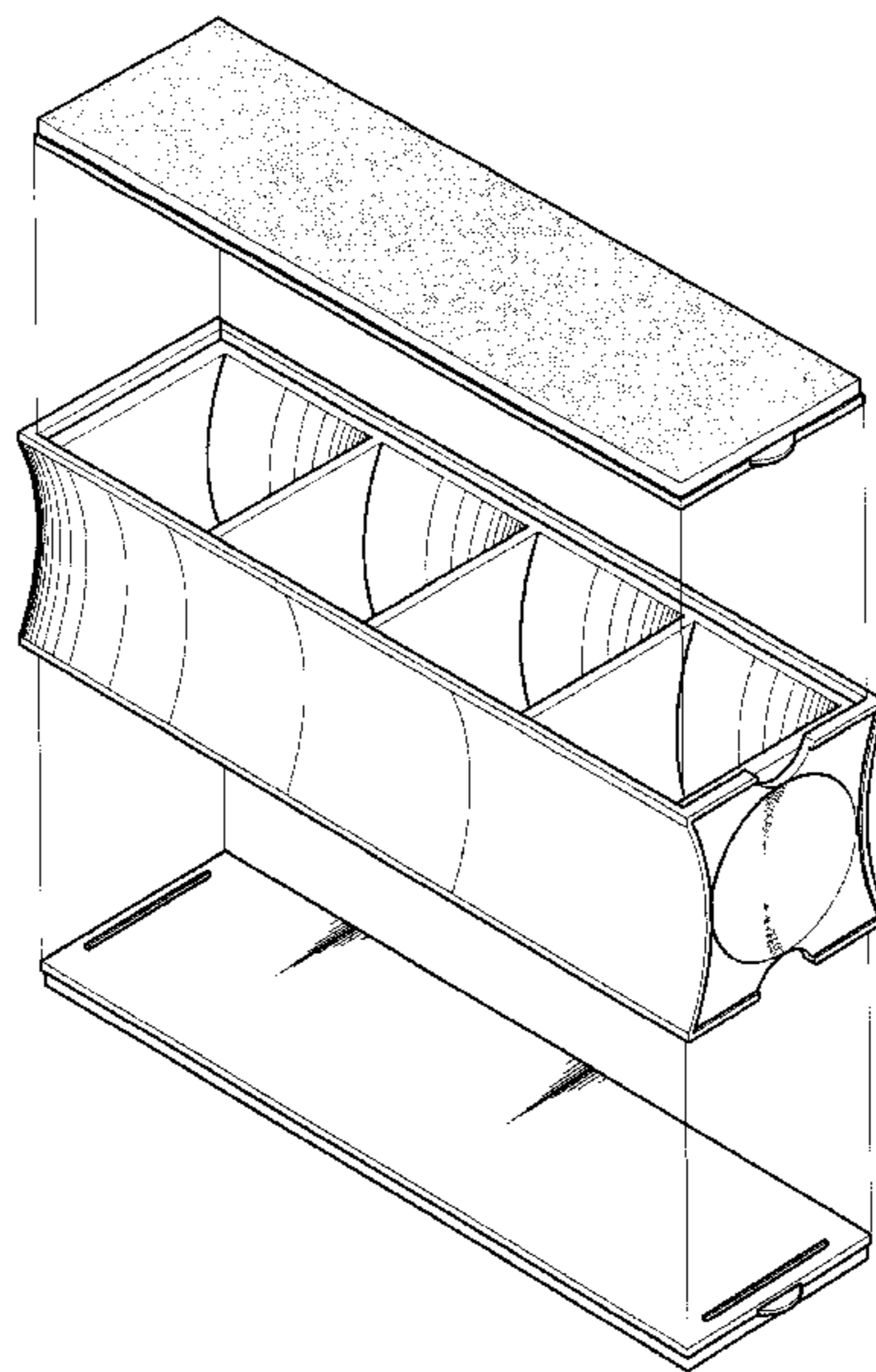
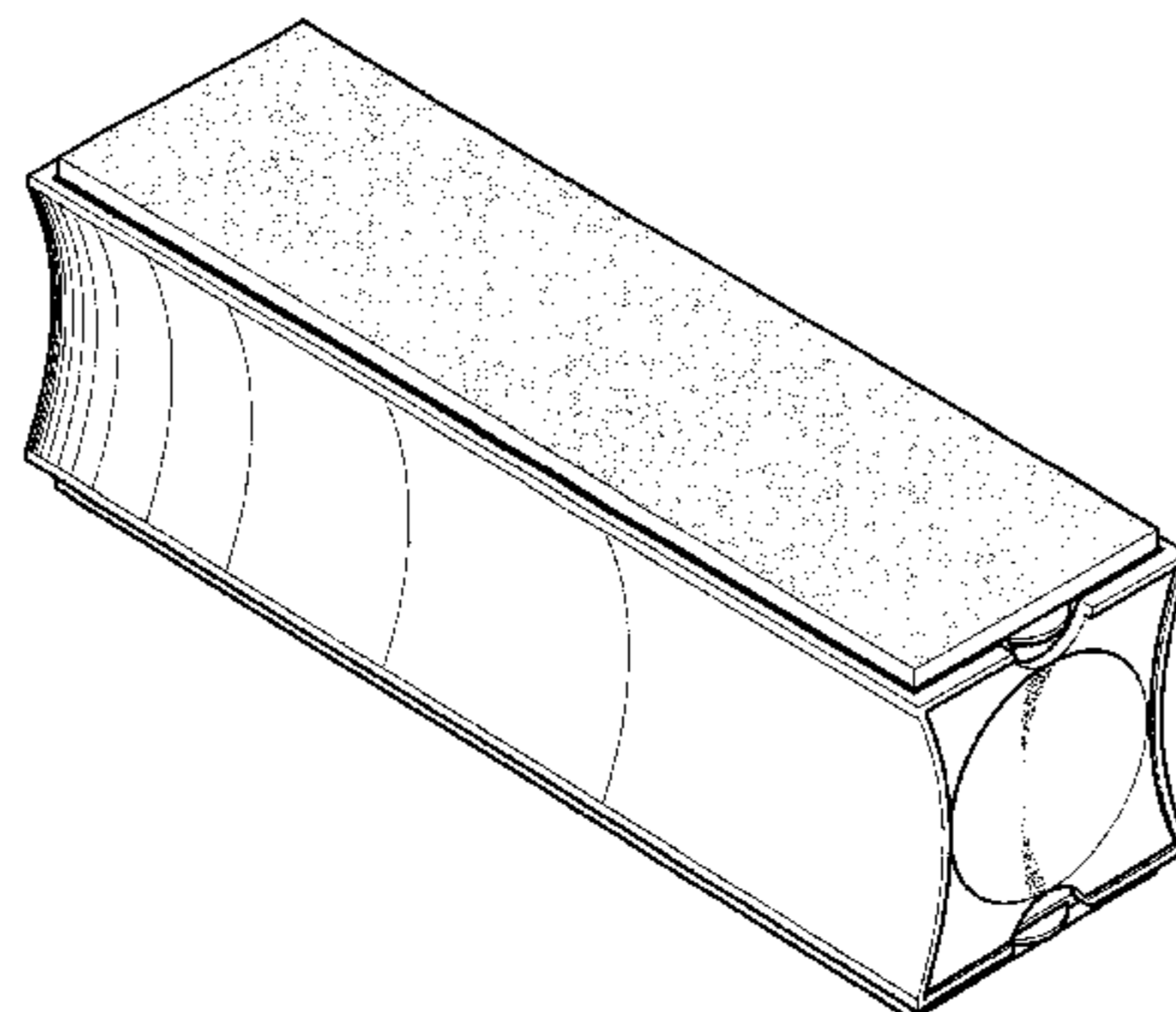


FIG. 1

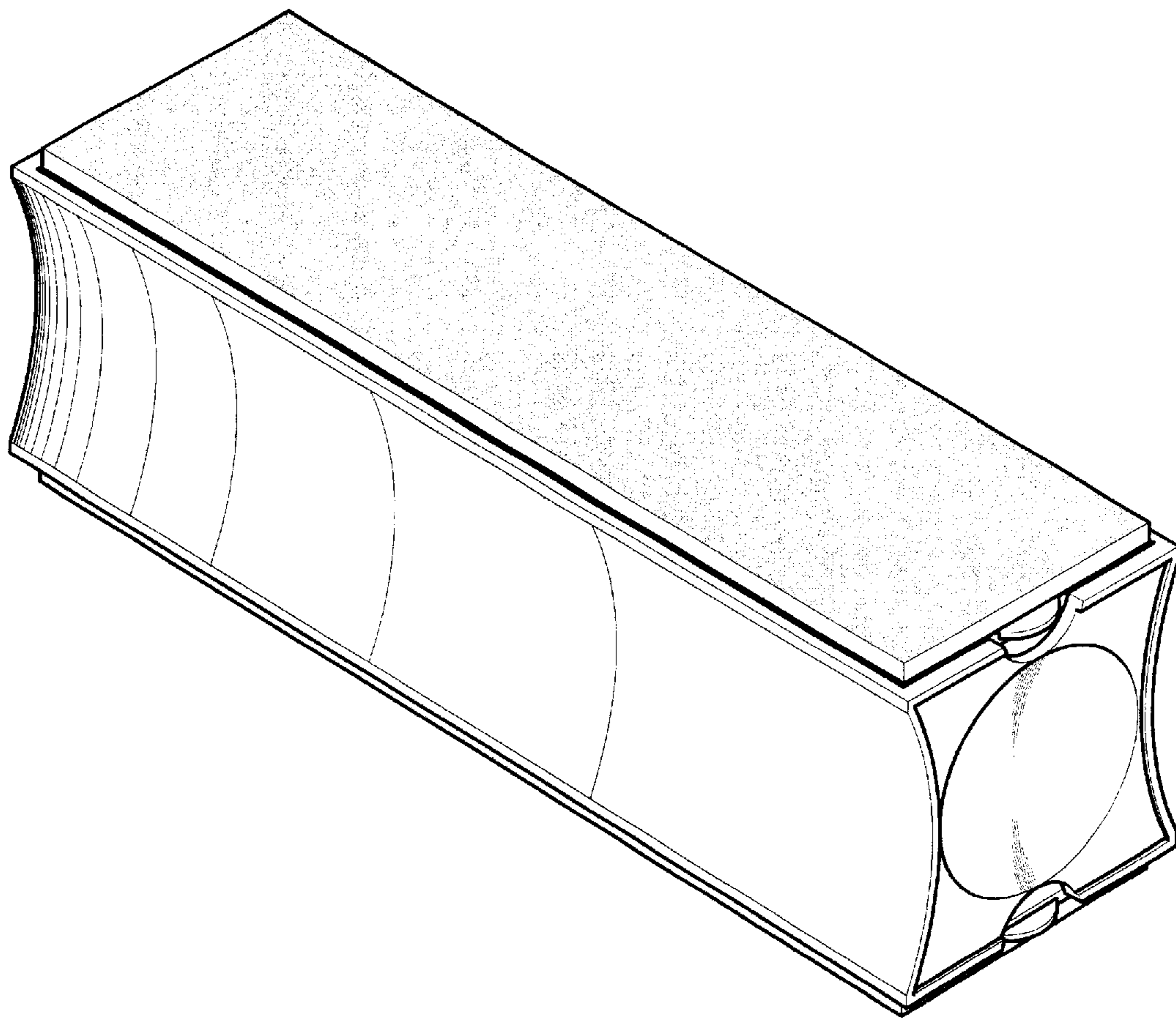


FIG. 2

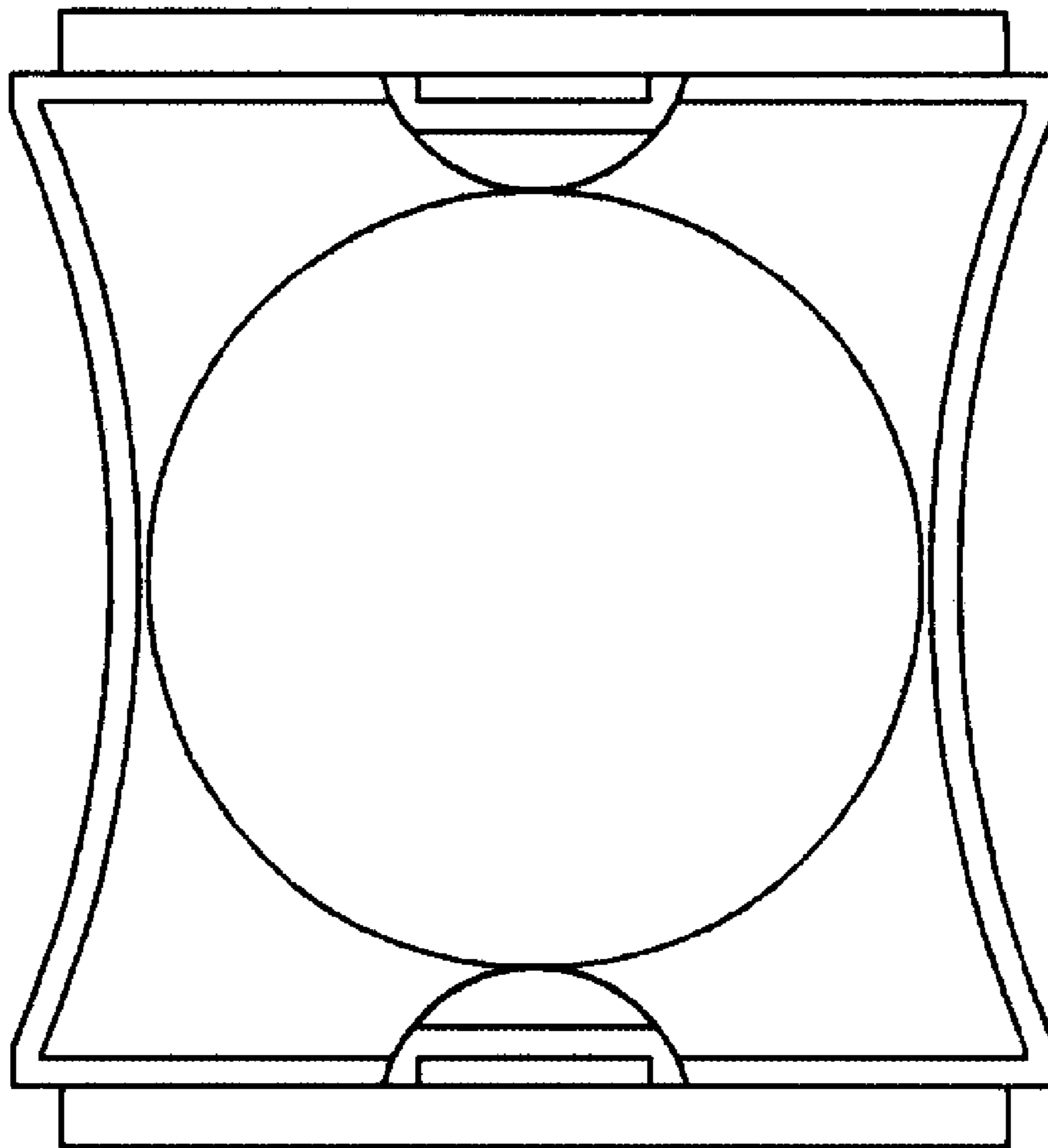


FIG. 3

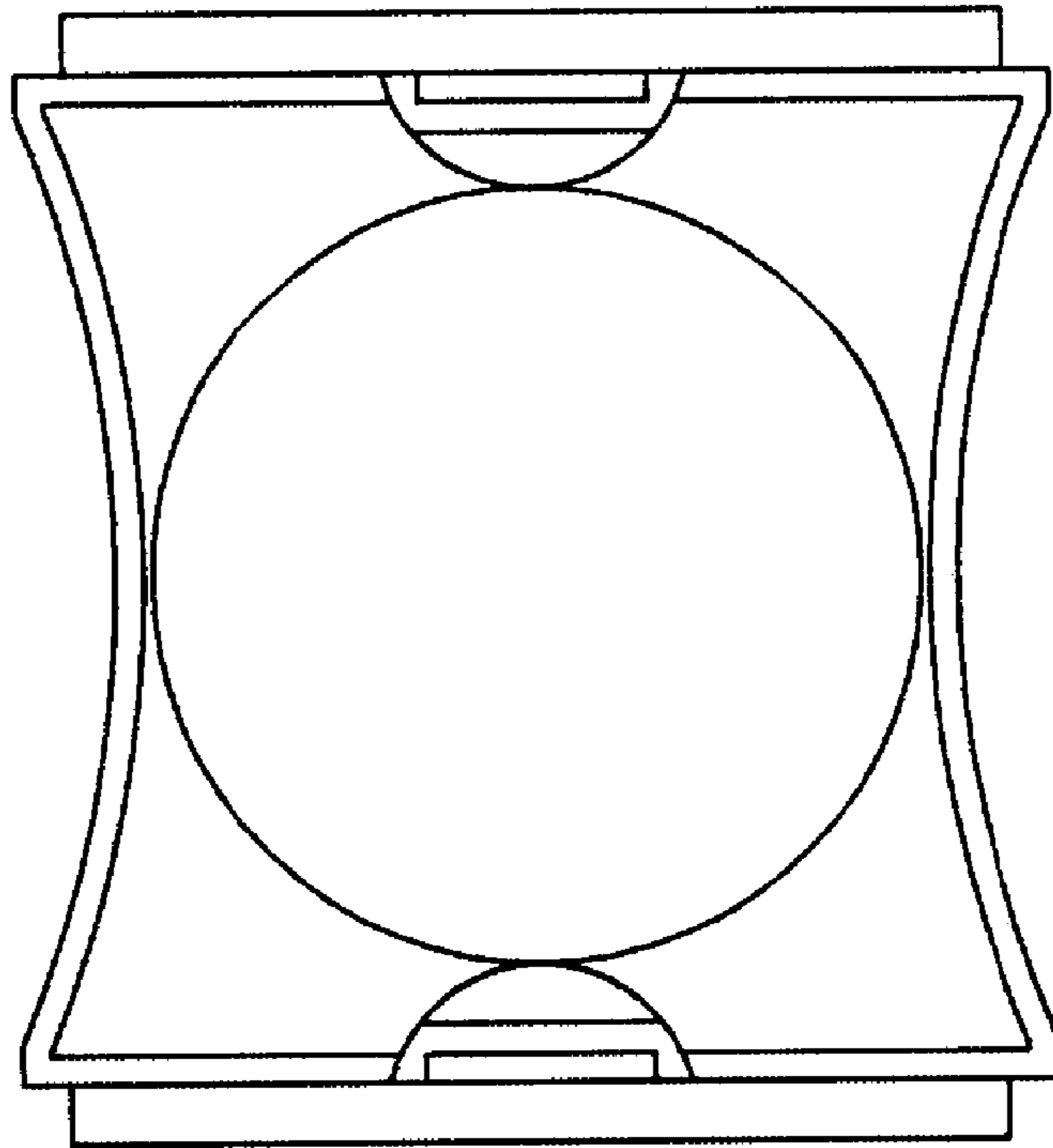


Fig.4

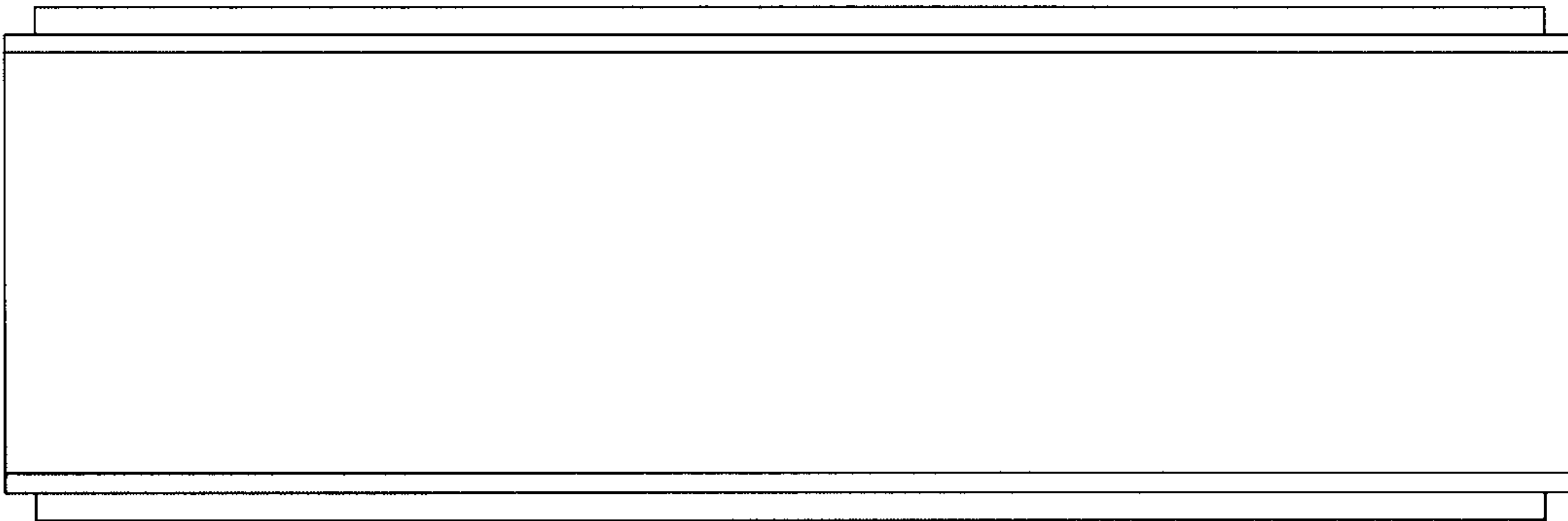


FIG. 5

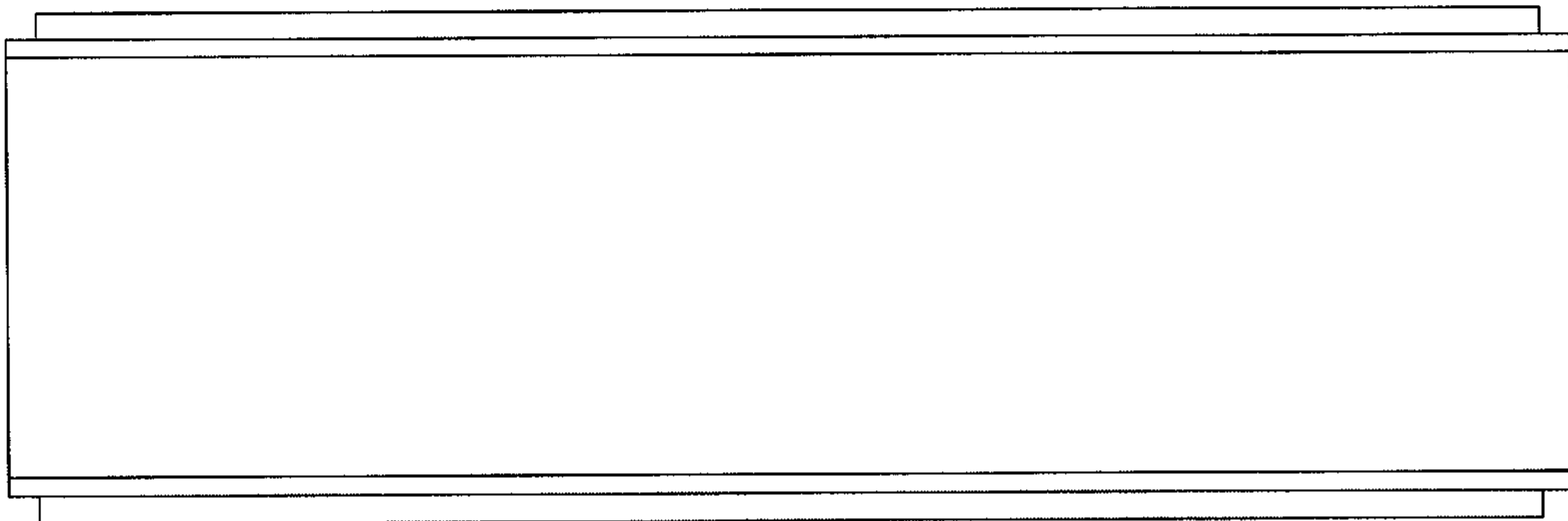


FIG. 6

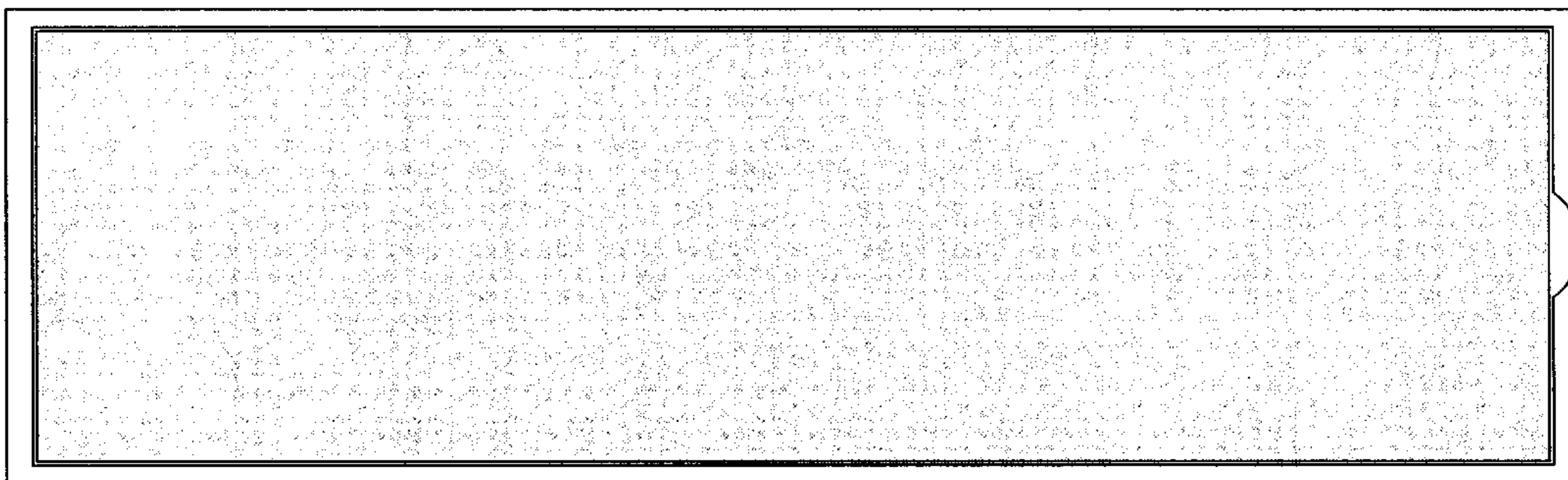


FIG. 7

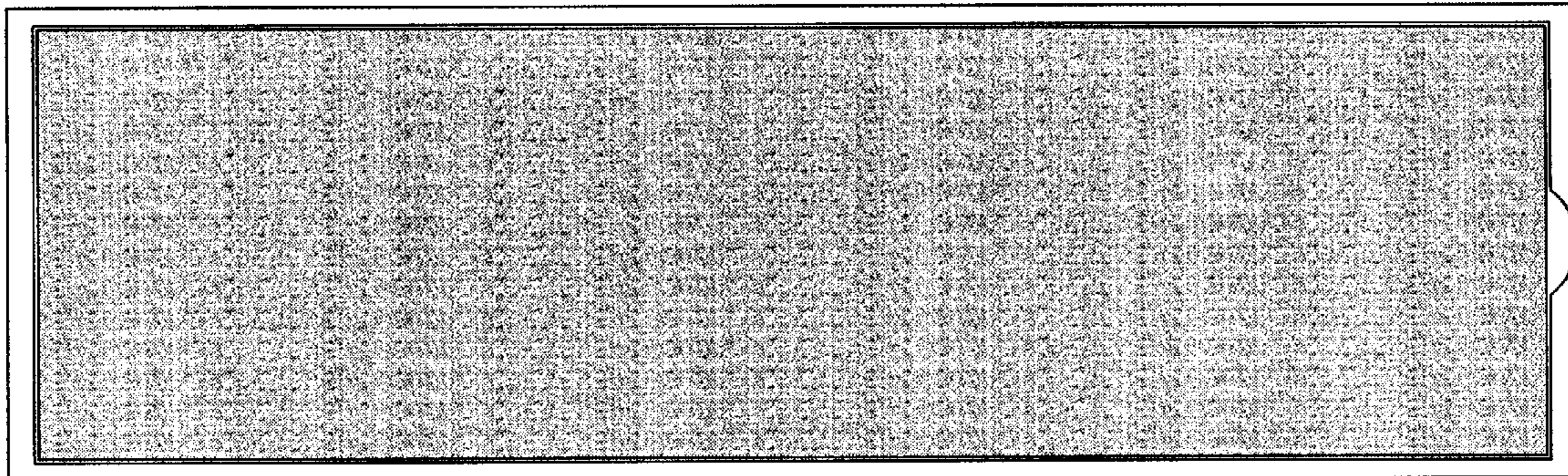


FIG. 8

