



US00D530447S

(12) **United States Design Patent** (10) **Patent No.:** **US D530,447 S**
Velloni et al. (45) **Date of Patent:** **** Oct. 17, 2006**

(54) **CIGARETTE PACK**

FOREIGN PATENT DOCUMENTS

(75) Inventors: **Alessandro Velloni**, Renens (CH);
Javier Peña, Lausanne (CH);
Jean-Pierre René Grandjean,
Jouxpens-Mézery (CH)

EP	0 204 933 B1	12/1986
EP	0 205 766 B1	12/1986
EP	0 650 907 B1	5/1995
FR	2 789 051 A1	8/2000
GB	431721	7/1935
GB	961558	6/1964
JP	936729	10/1995
KR	30-2001-0004212	2/2001
RU	47328	6/2000
WO	DM/023317	7/1992
WO	DM/057942	11/2001

(73) Assignee: **Philip Morris USA Inc.**, Richmond,
VA (US)

(**) Term: **14 Years**

(21) Appl. No.: **29/191,325**

Primary Examiner—Jennifer Rivard

(22) Filed: **Oct. 7, 2003**

(74) *Attorney, Agent, or Firm*—Buchanan Ingersoll PC

(30) **Foreign Application Priority Data**

(57) **CLAIM**

Apr. 7, 2003	(EM)	10731-0006
Apr. 7, 2003	(EM)	10731-0005
Apr. 7, 2003	(EM)	10731-0004
Apr. 7, 2003	(EM)	10731-0003
Apr. 7, 2003	(EM)	000010731-0001

The ornamental design for a cigarette pack, as shown and described.

(51) **LOC (8) Cl.** **27-06**

DESCRIPTION

(52) **U.S. Cl.** **D27/189**

(58) **Field of Classification Search** D27/186–191;
D9/430; 206/256, 265–273; 229/160.1, 109,
229/146, 232, 152, 153

FIG. 1 is a front, top and left perspective view of a cigarette pack showing our new design in a closed position.

FIG. 2 is a bottom, front perspective view thereof.

FIG. 3 is a rear, top perspective view thereof.

FIG. 4 is a top, front perspective view thereof.

FIG. 5 is a front, top and left perspective view thereof in an open position.

FIG. 6 is a top, front perspective view thereof in an open position.

FIG. 7 is a rear, top perspective view thereof in an open position.

FIG. 8 is a top plan view thereof in an open position.

FIG. 9 is a bottom plan view thereof in an open position

FIG. 10 is a left side elevational view thereof in an open position; and,

FIG. 11 is a right side elevational view thereof in an open position.

The broken line showing of a cigarette bundle within an interior of the cigarette pack as seen in FIGS. 5–8 and 10 is for illustrative purposes only and forms no part of the claimed design.

See application file for complete search history.

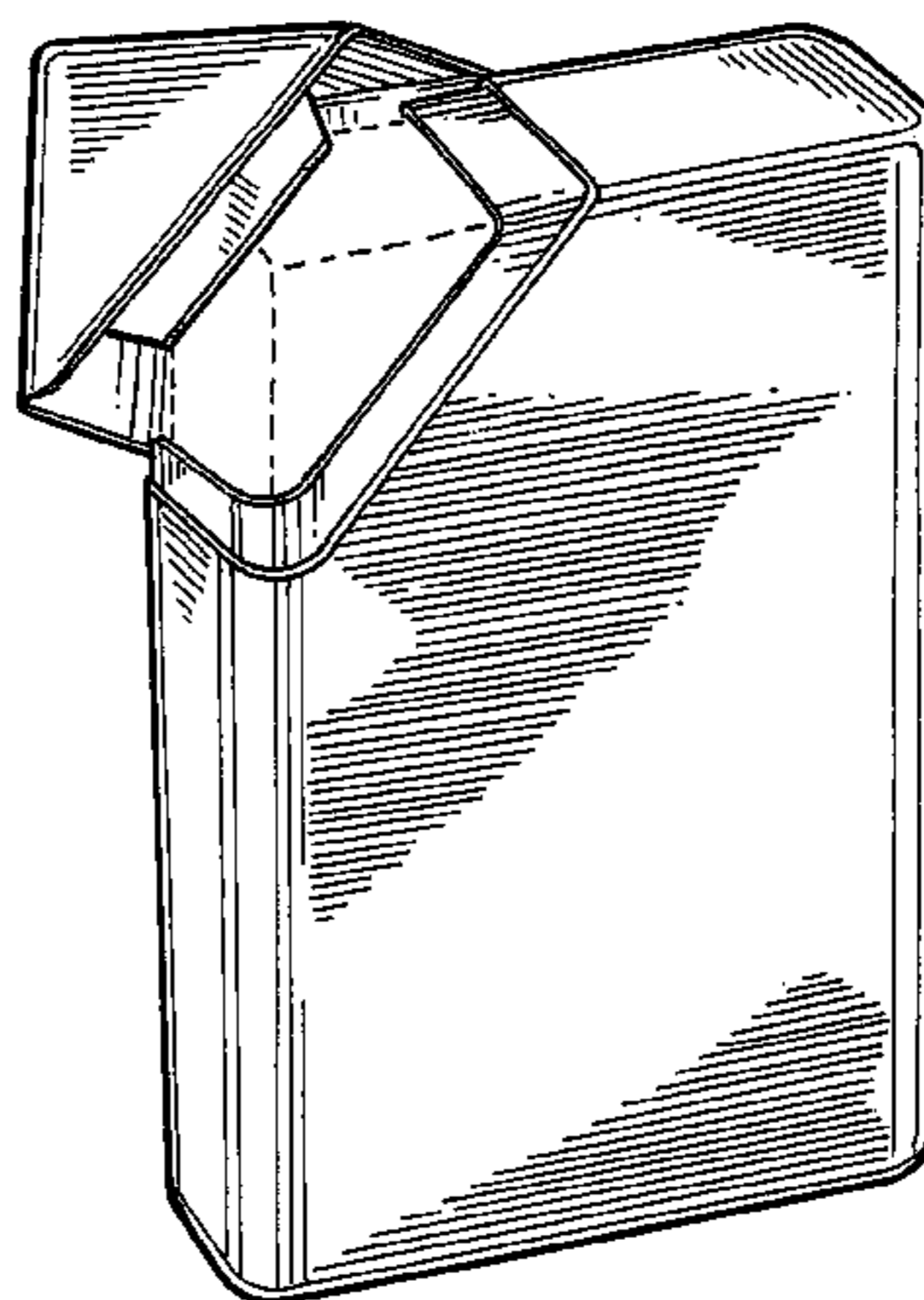
(56) **References Cited**

U.S. PATENT DOCUMENTS

1,735,325	A	*	11/1929	Enfant	229/160.1
D136,319	S	*	9/1943	New	D27/191
2,358,802	A		9/1944	Glover		
2,954,867	A		10/1960	Tacke		
3,018,031	A	*	1/1962	Ahlbor et al.	229/160.1
3,058,646	A	*	10/1962	Guyer	229/160.1
3,347,446	A	*	10/1967	Guyer et al.	229/160.1
3,446,338	A	*	5/1969	Bozyk	206/250
3,823,865	A	*	7/1974	Mechnick	229/160.1
4,753,383	A		6/1988	Focke et al.		
4,753,384	A		6/1988	Focke et al.		
5,307,925	A		5/1994	Focke et al.		

(Continued)

1 Claim, 5 Drawing Sheets



US D530,447 S

Page 2

U.S. PATENT DOCUMENTS

5,392,905 A	2/1995	Focke et al.			
5,911,359 A *	6/1999	Stone et al.	229/160.1		
5,957,280 A *	9/1999	Focke et al.	206/264		
6,360,943 B1	3/2002	Focke et al.			
				D462,806 S *	9/2002 Draghetti D27/189
				6,527,166 B1	3/2003 Focke et al.
				6,715,605 B1 *	4/2004 Manservigi et al. 206/268

* cited by examiner

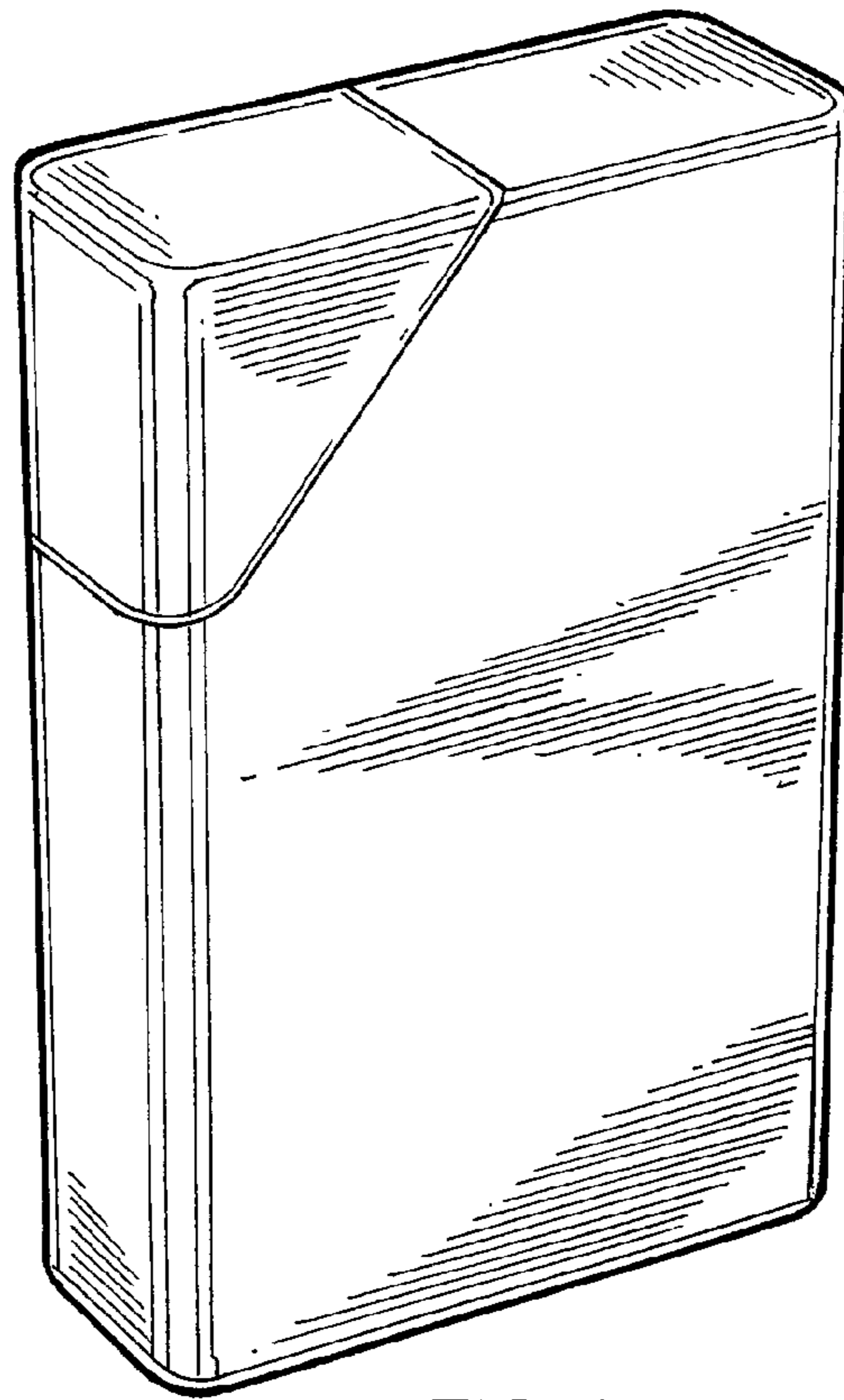


FIG. 1

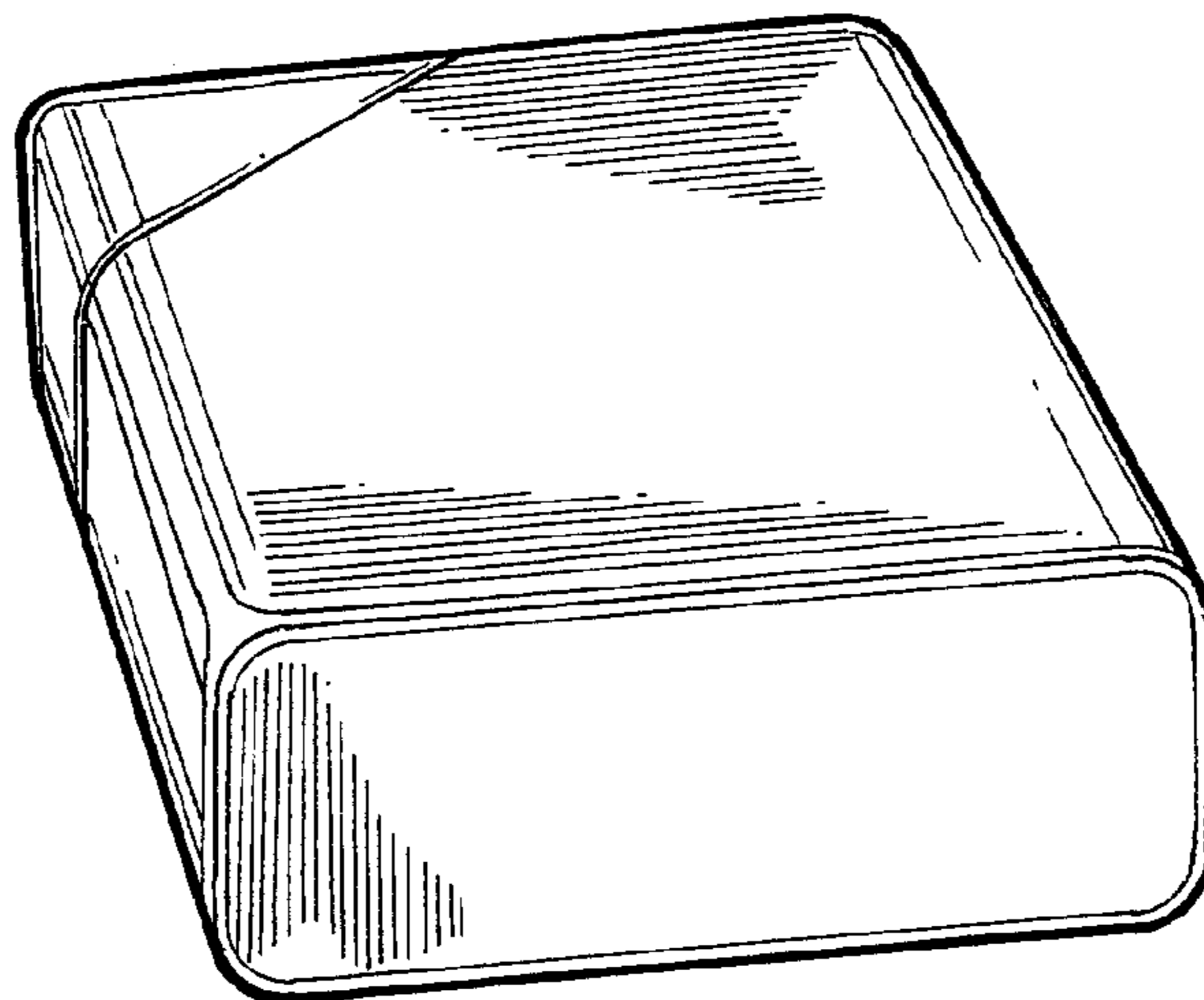


FIG. 2

FIG. 3

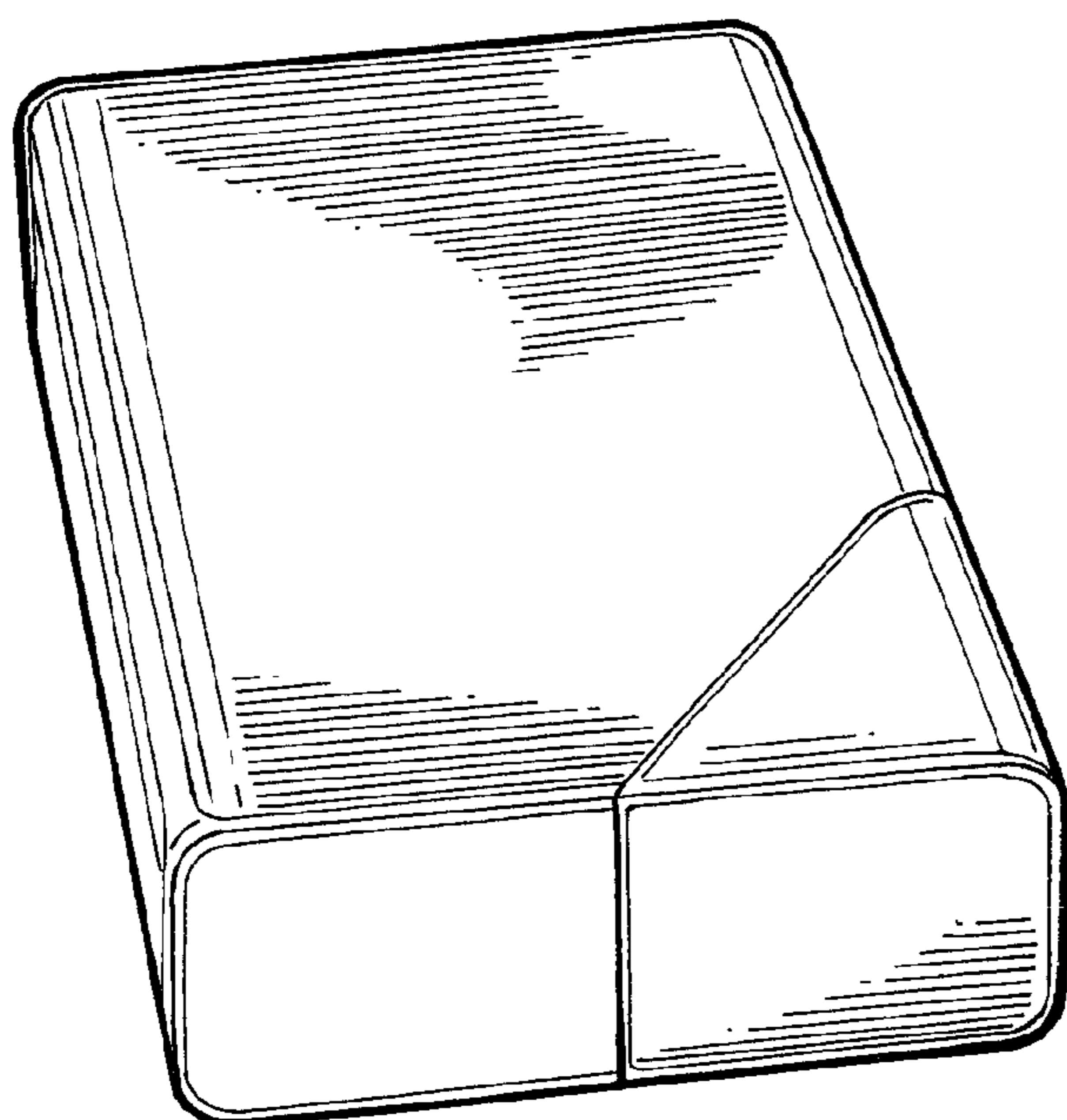
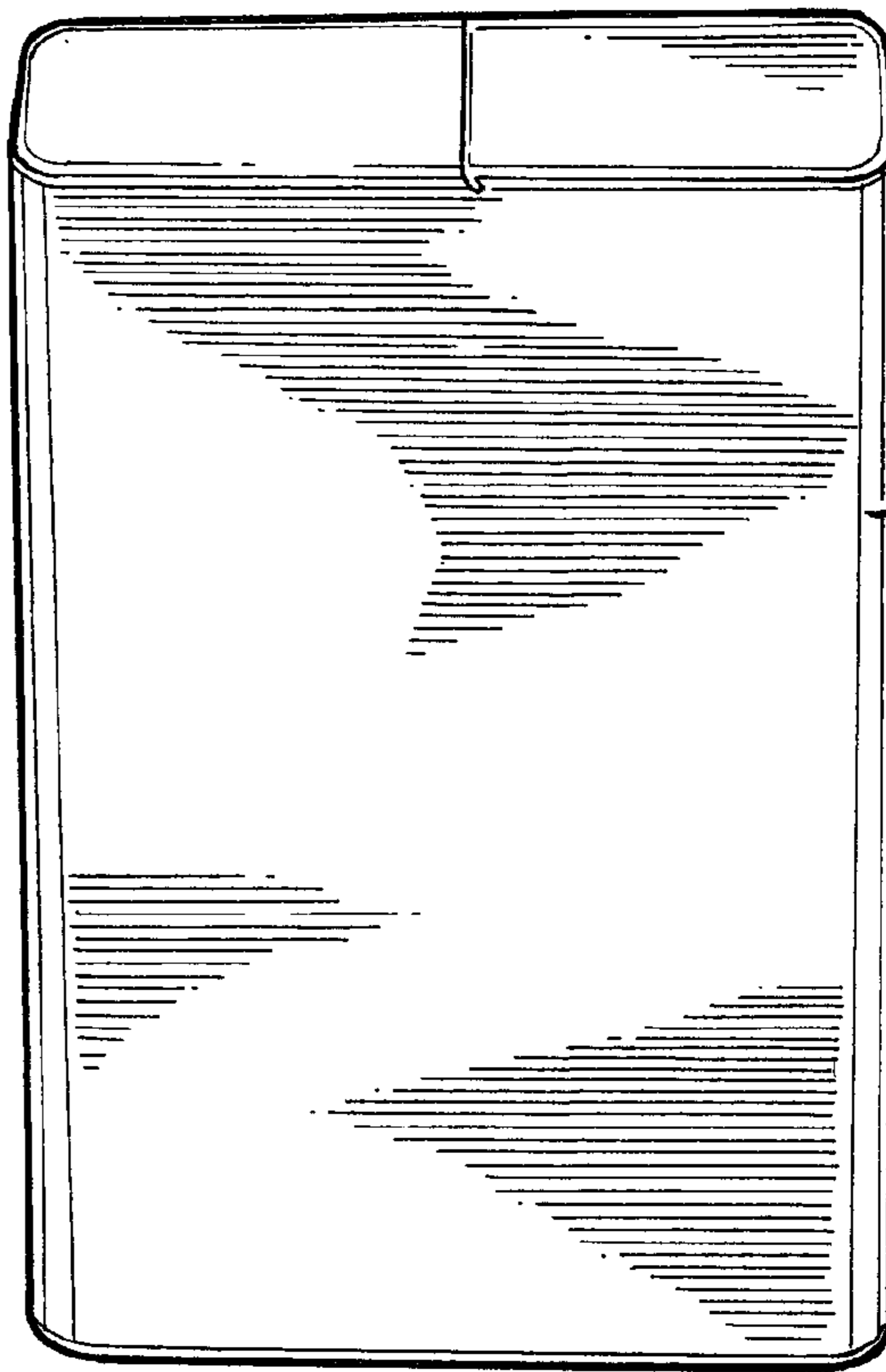


FIG. 4

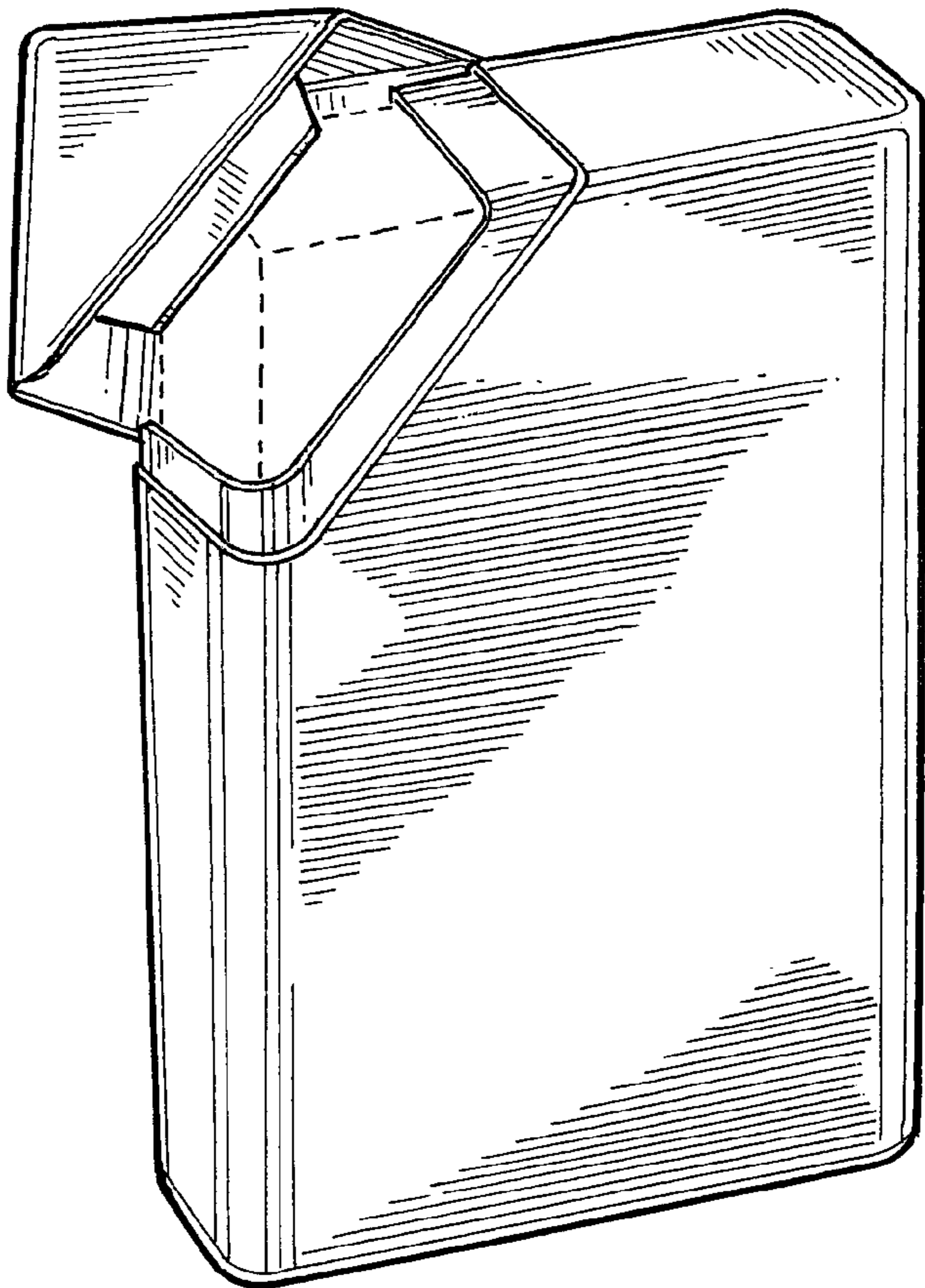


FIG. 5

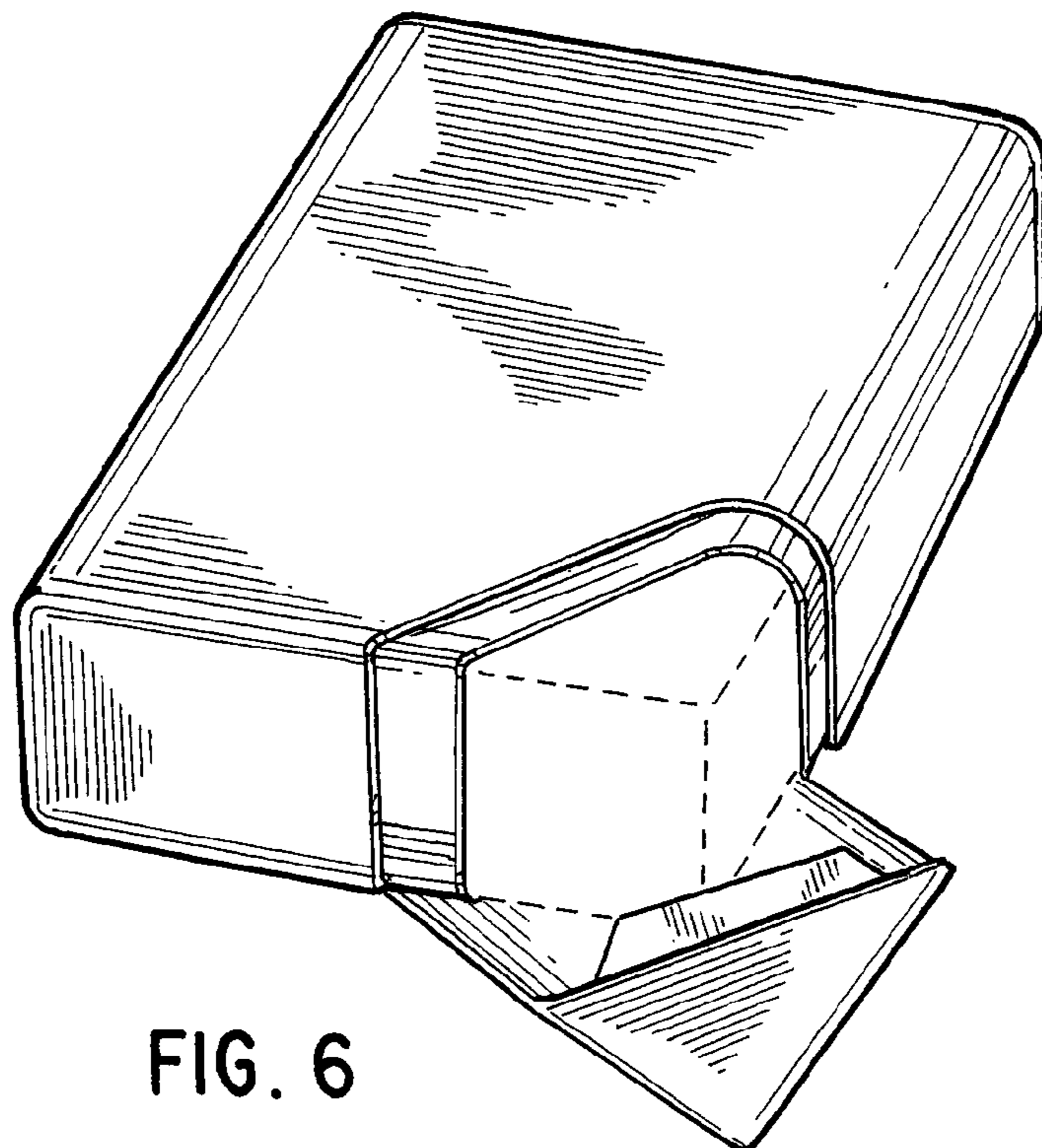


FIG. 6

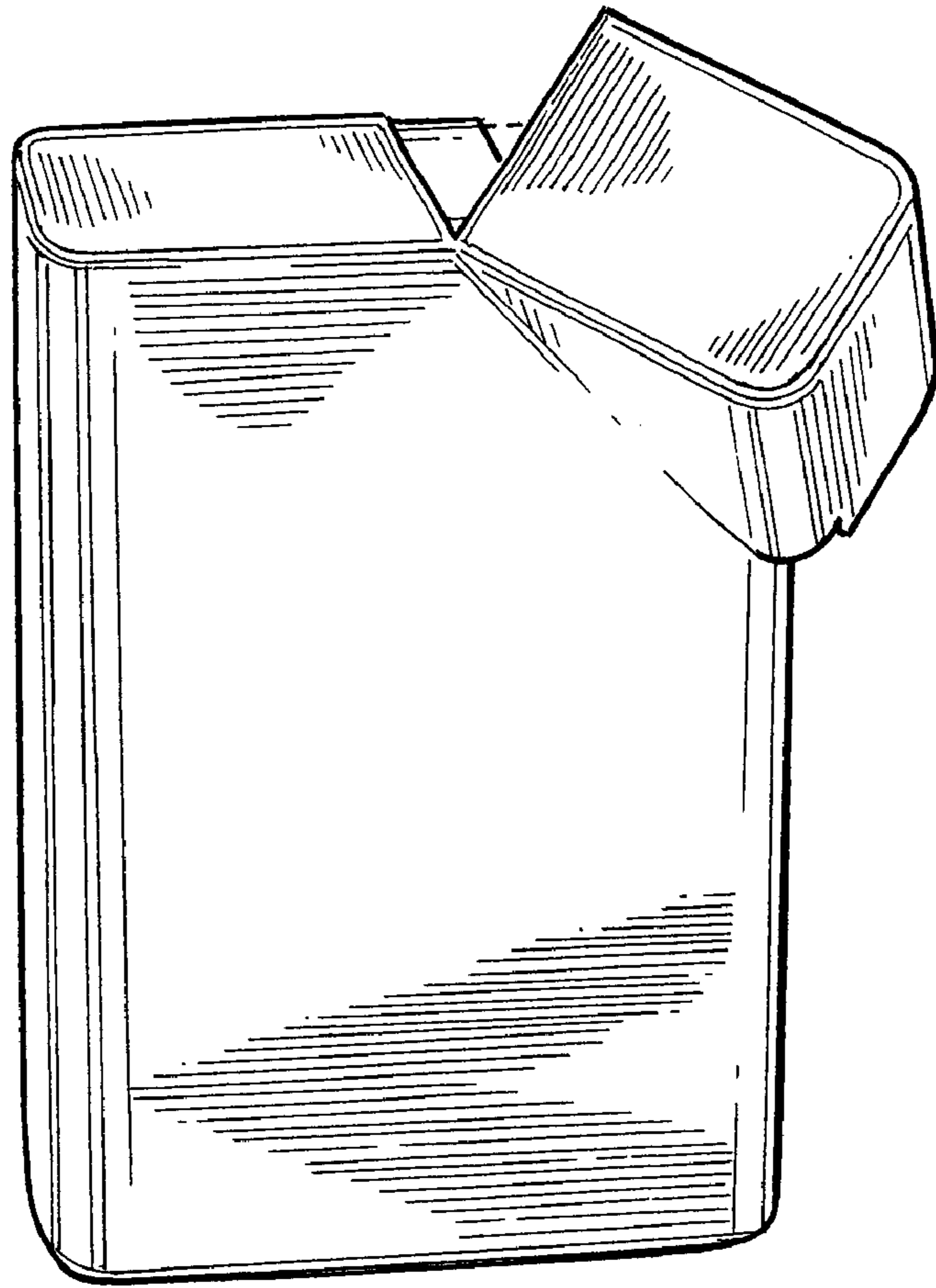


FIG. 7

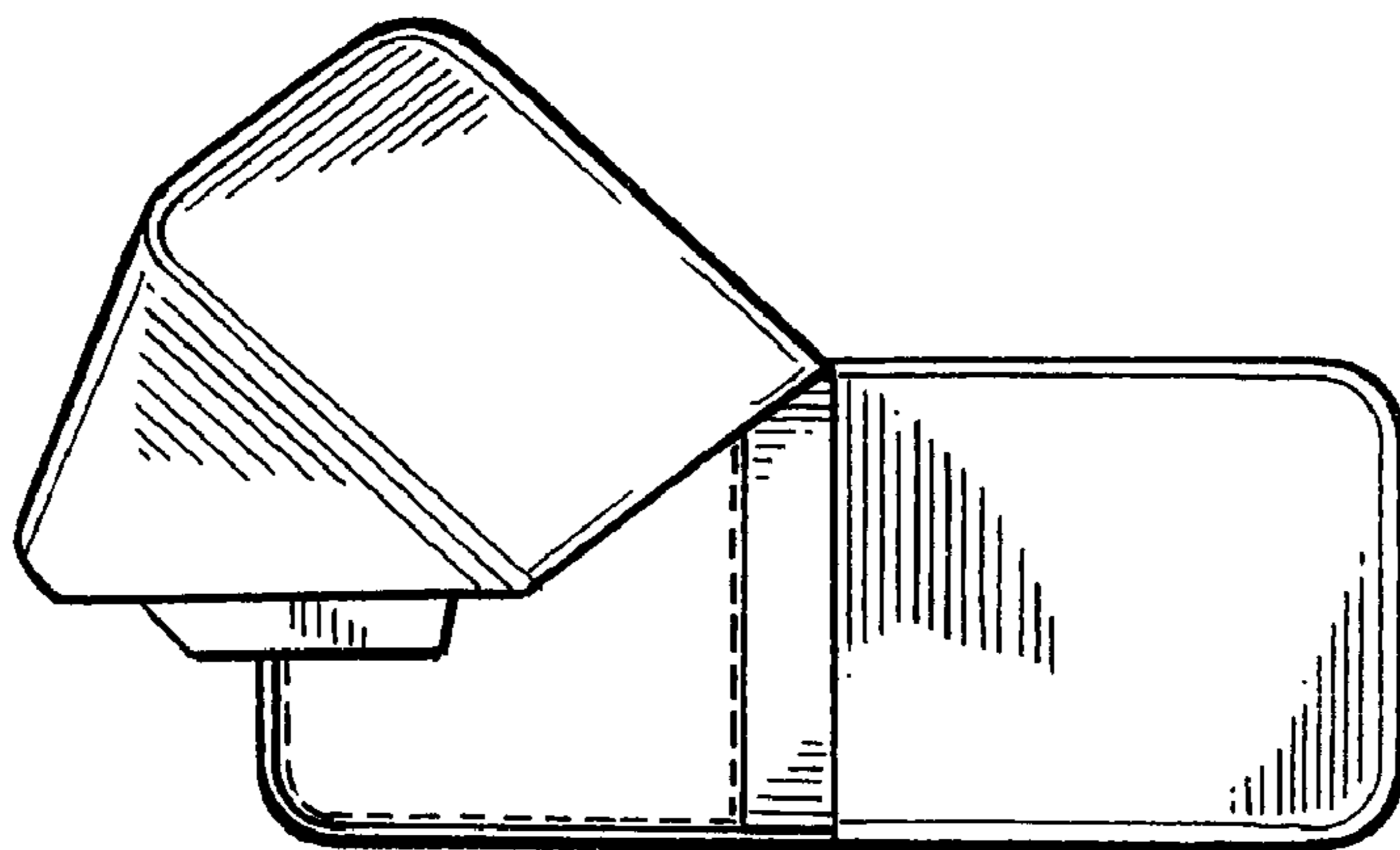


FIG. 8

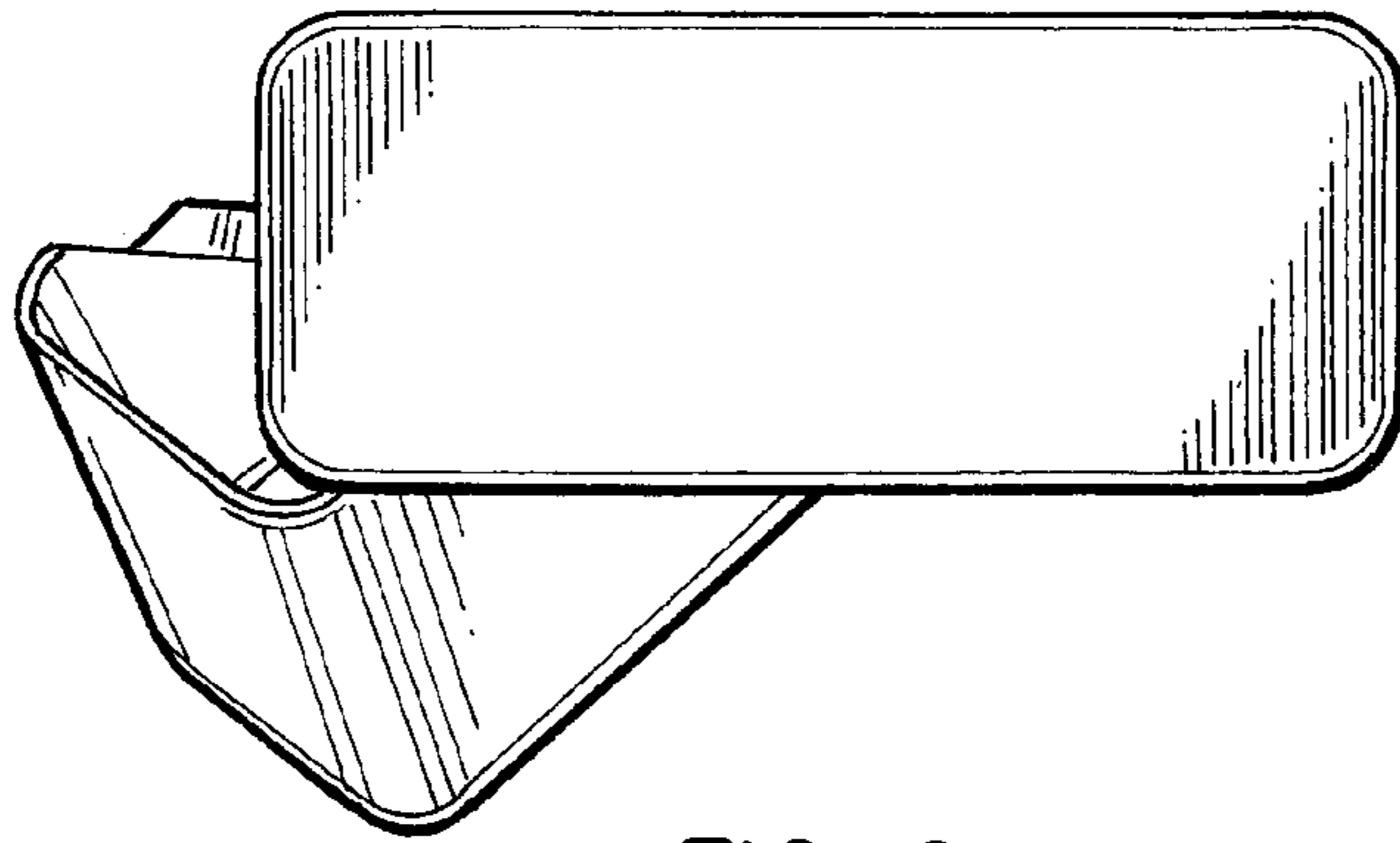


FIG. 9

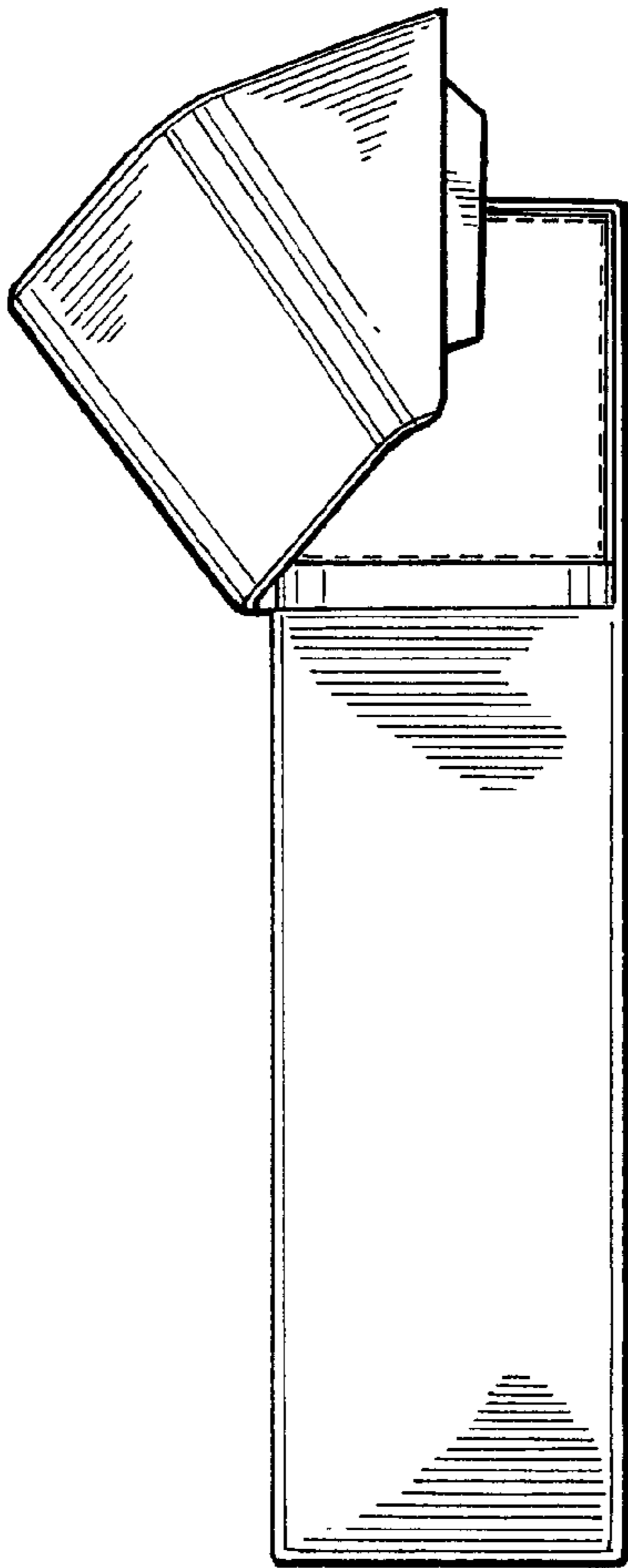


FIG. 10

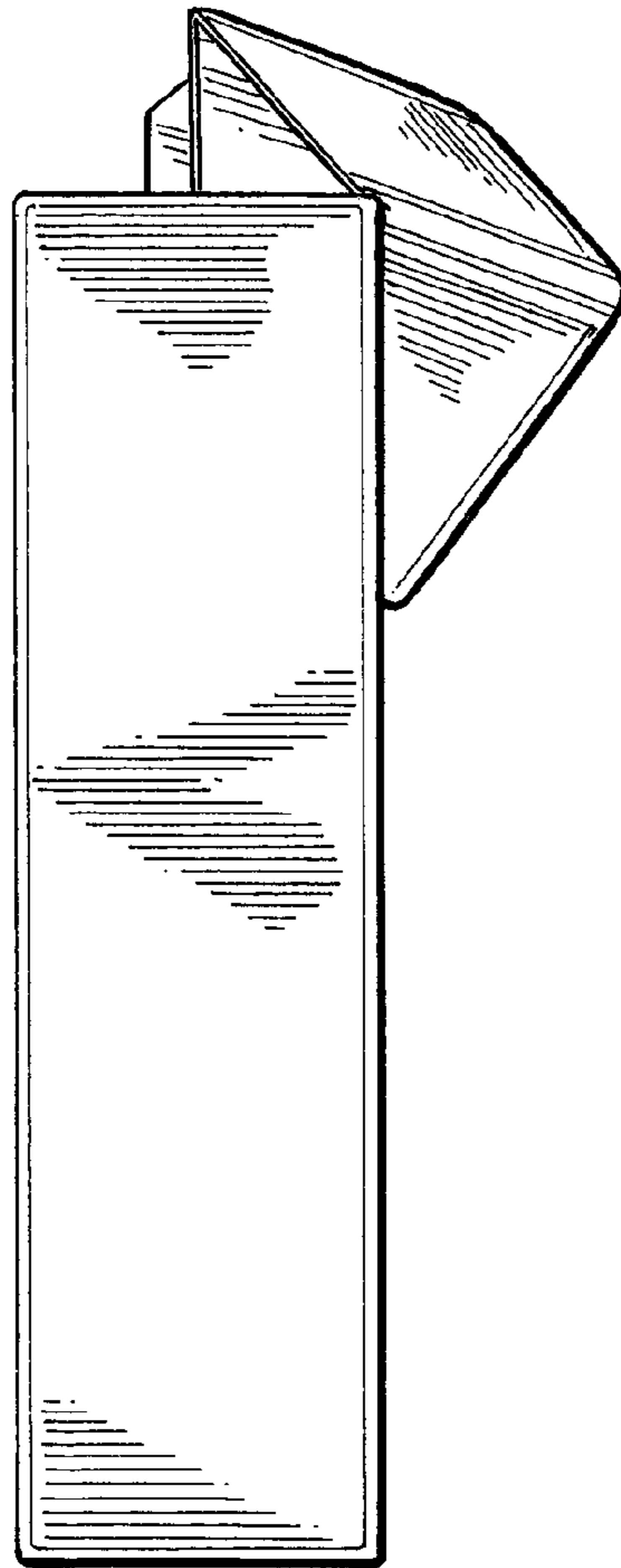


FIG. 11