



US00D530440S

(12) **United States Design Patent**  
**Wang**

(10) **Patent No.:** **US D530,440 S**

(45) **Date of Patent:** **\*\* Oct. 17, 2006**

(54) **CEILING FAN LIGHT KIT**

D485,344 S \* 1/2004 Tai ..... D23/377  
D505,722 S \* 5/2005 Burns ..... D23/411

(75) Inventor: **Cliff Wang**, Taichung (TW)

\* cited by examiner

(73) Assignee: **Air Cool Industrial Co., Ltd.**,  
Taichung County (TW)

*Primary Examiner*—Lisa Lichtenstein  
(74) *Attorney, Agent, or Firm*—Troxell Law Office, PLLC

(\*\*) Term: **14 Years**

(57) **CLAIM**

(21) Appl. No.: **29/229,321**

The ornamental design for a ceiling fan light kit, as shown and described.

(22) Filed: **May 6, 2005**

**DESCRIPTION**

(51) **LOC (8) Cl.** ..... **26-05**

(52) **U.S. Cl.** ..... **D26/59**

(58) **Field of Classification Search** ..... D26/59,  
D26/51, 72, 80–86, 73; D23/377, 379, 385,  
D23/411; 362/96; 416/5

See application file for complete search history.

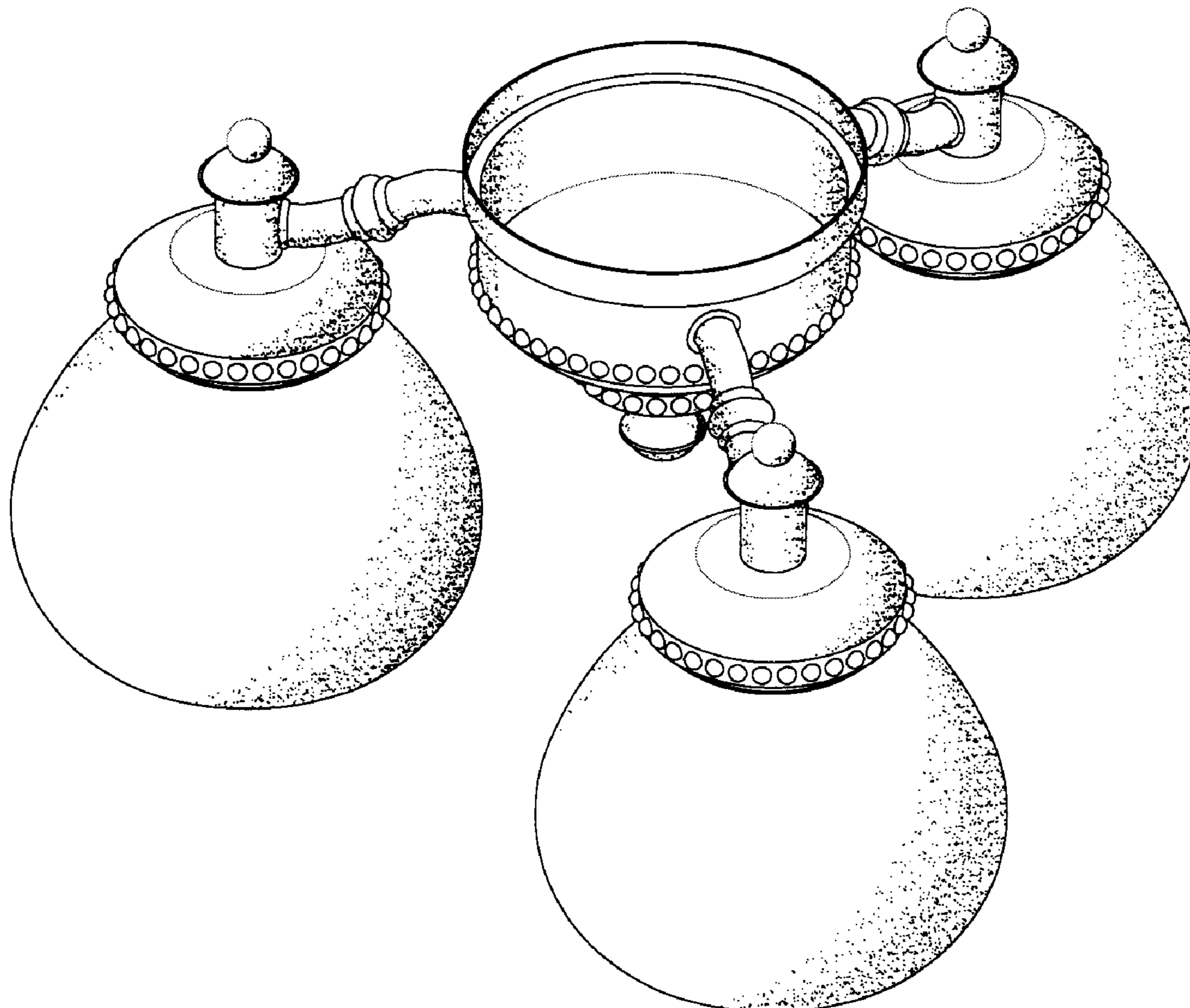
FIG. 1 is a perspective view of a ceiling fan light kit showing my new design;  
FIG. 2 is a front end elevation view thereof;  
FIG. 3 is a rear end elevation view thereof;  
FIG. 4 is a left side elevation view thereof;  
FIG. 5 is a right side elevation view thereof;  
FIG. 6 is a top plan view thereof; and,  
FIG. 7 is a bottom plan view thereof.

(56) **References Cited**

**U.S. PATENT DOCUMENTS**

D418,914 S \* 1/2000 Zuege ..... D23/411

**1 Claim, 7 Drawing Sheets**



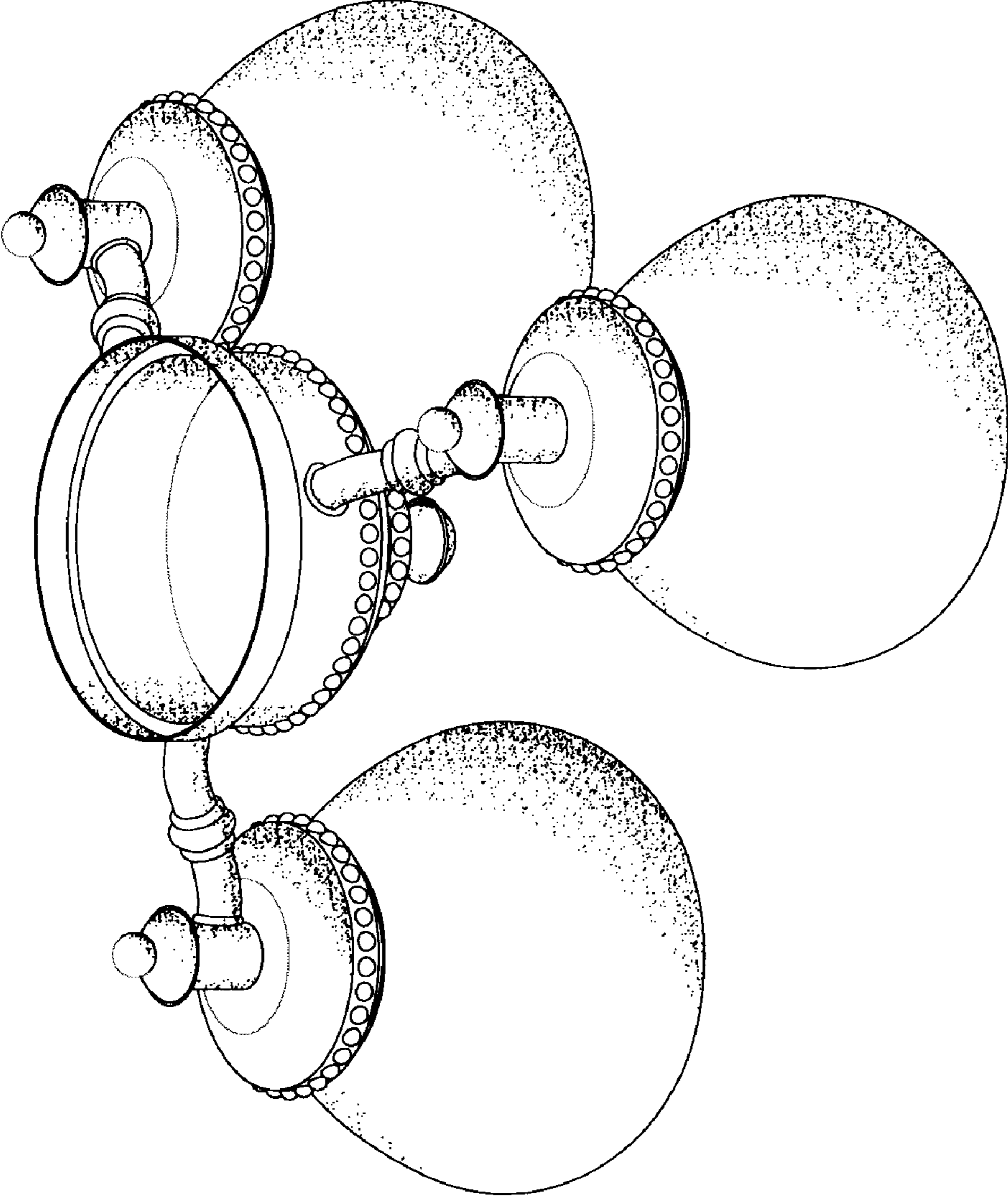


FIG. 1

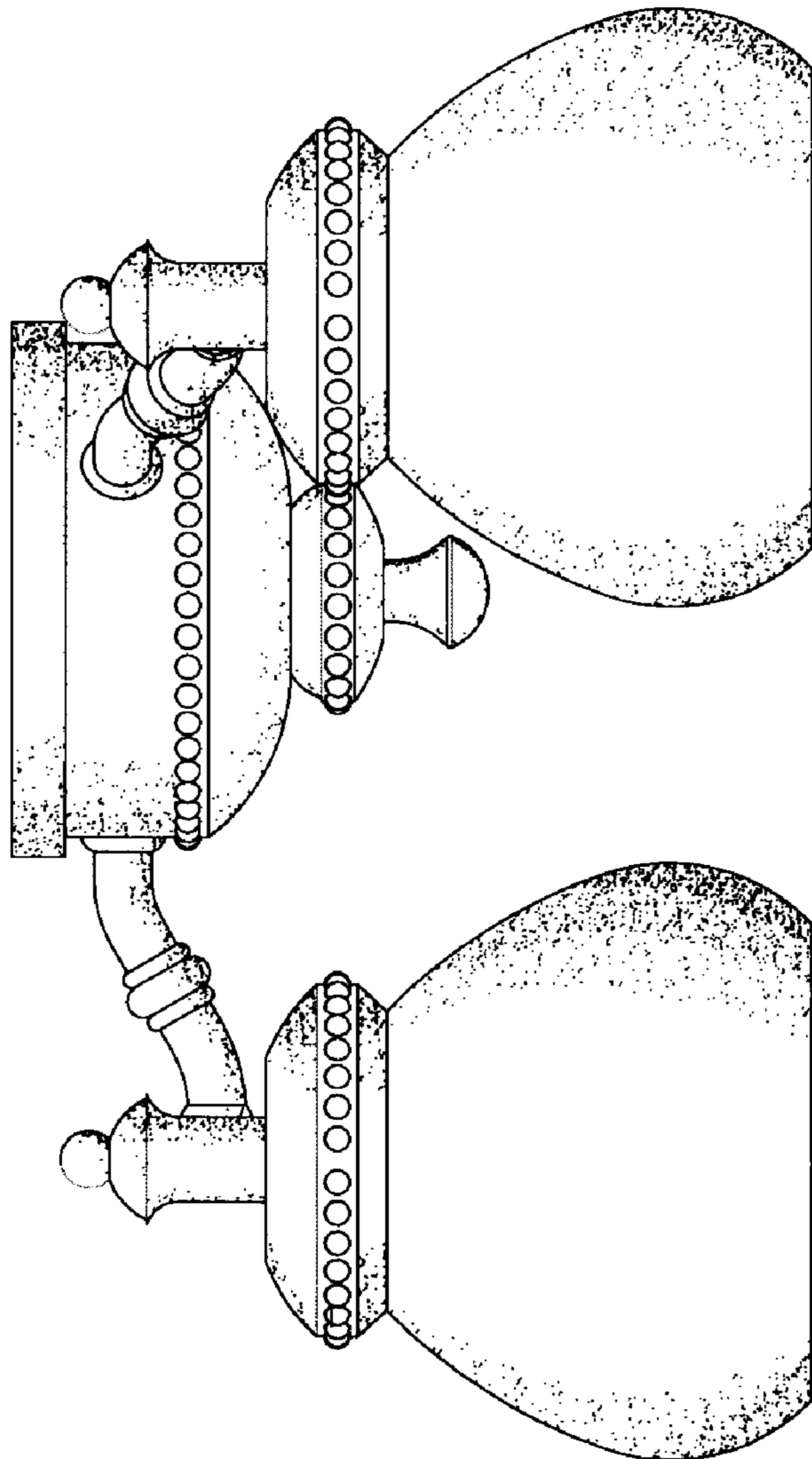


FIG. 2

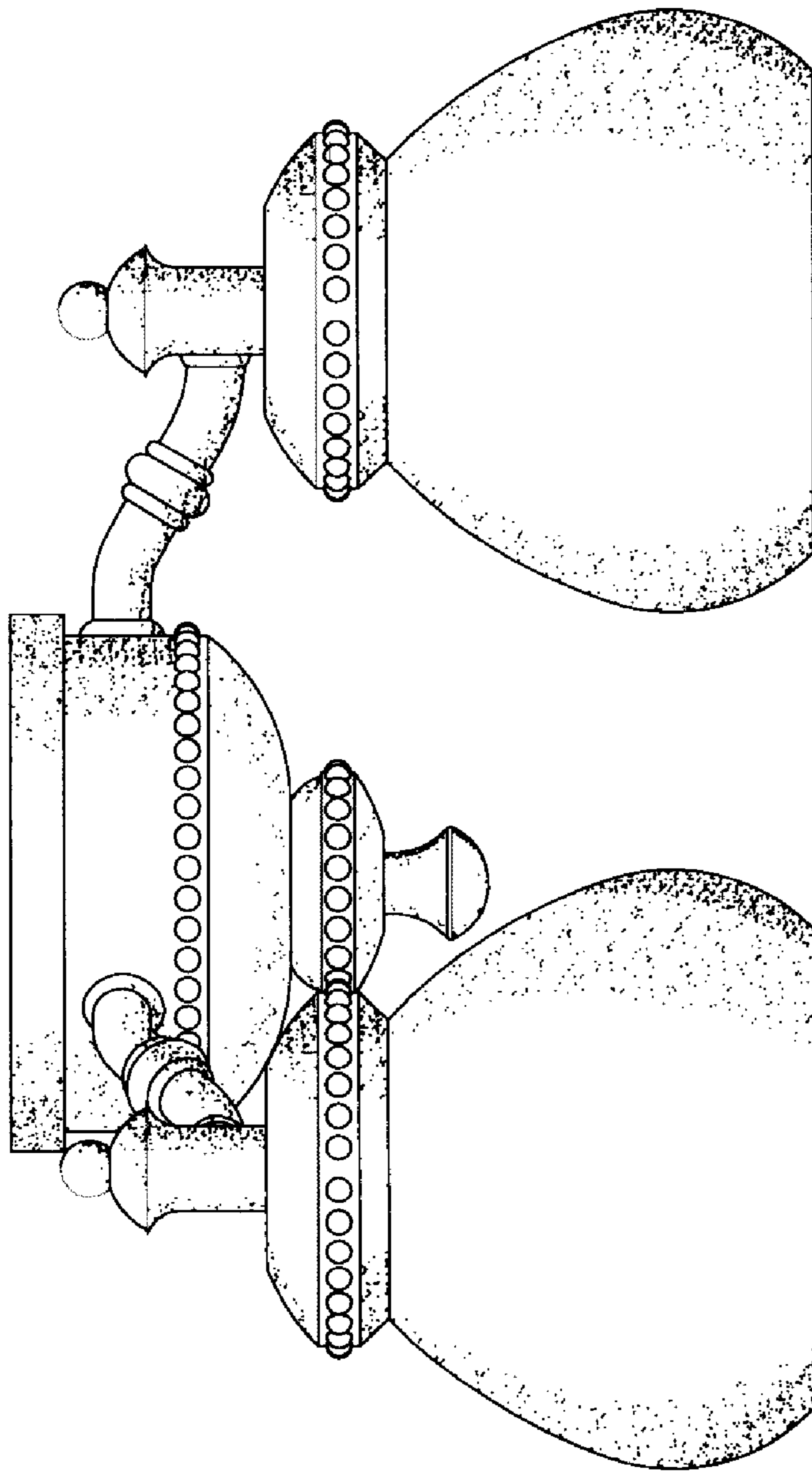


FIG. 3

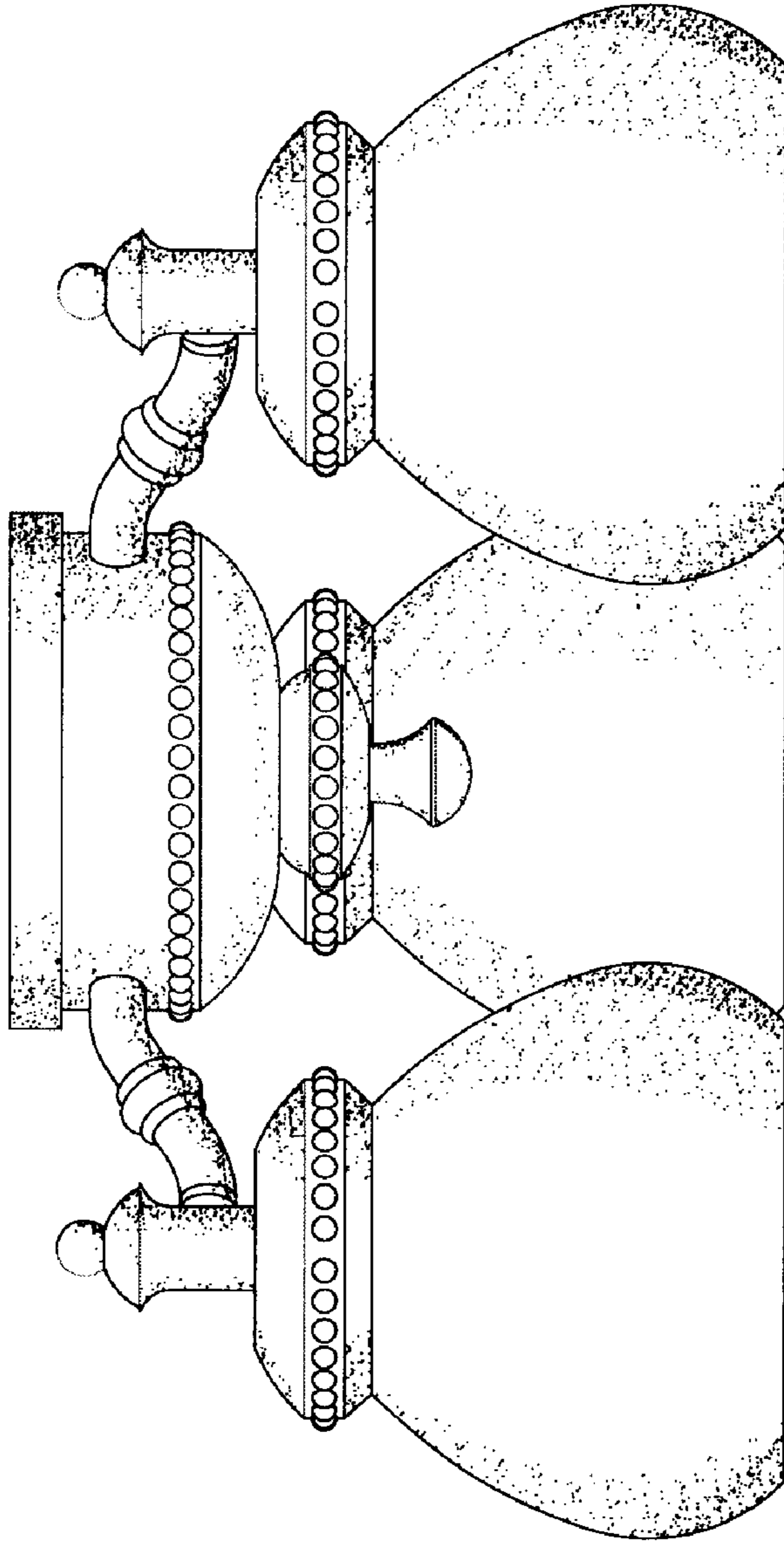


FIG. 4

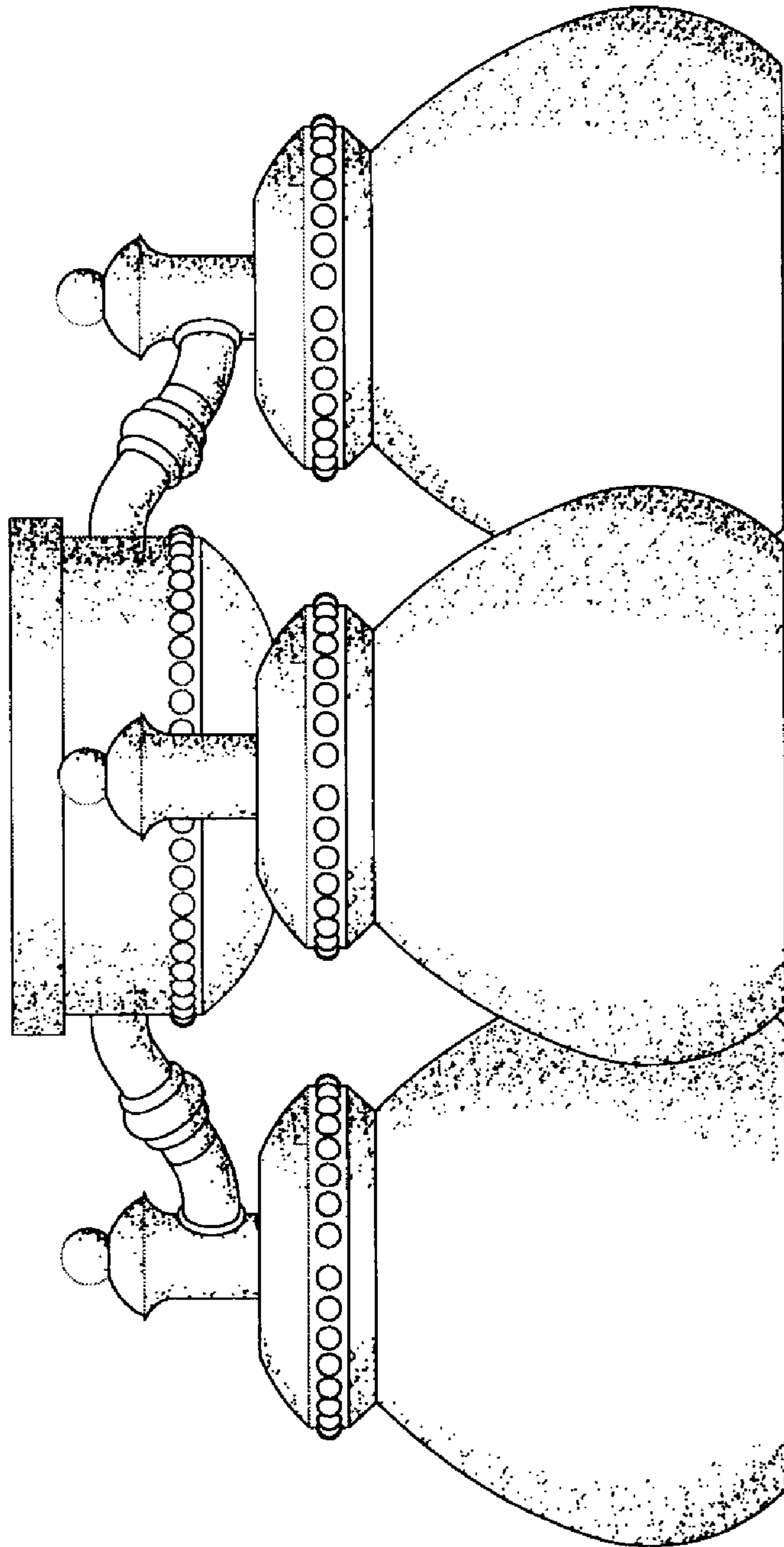


FIG. 5

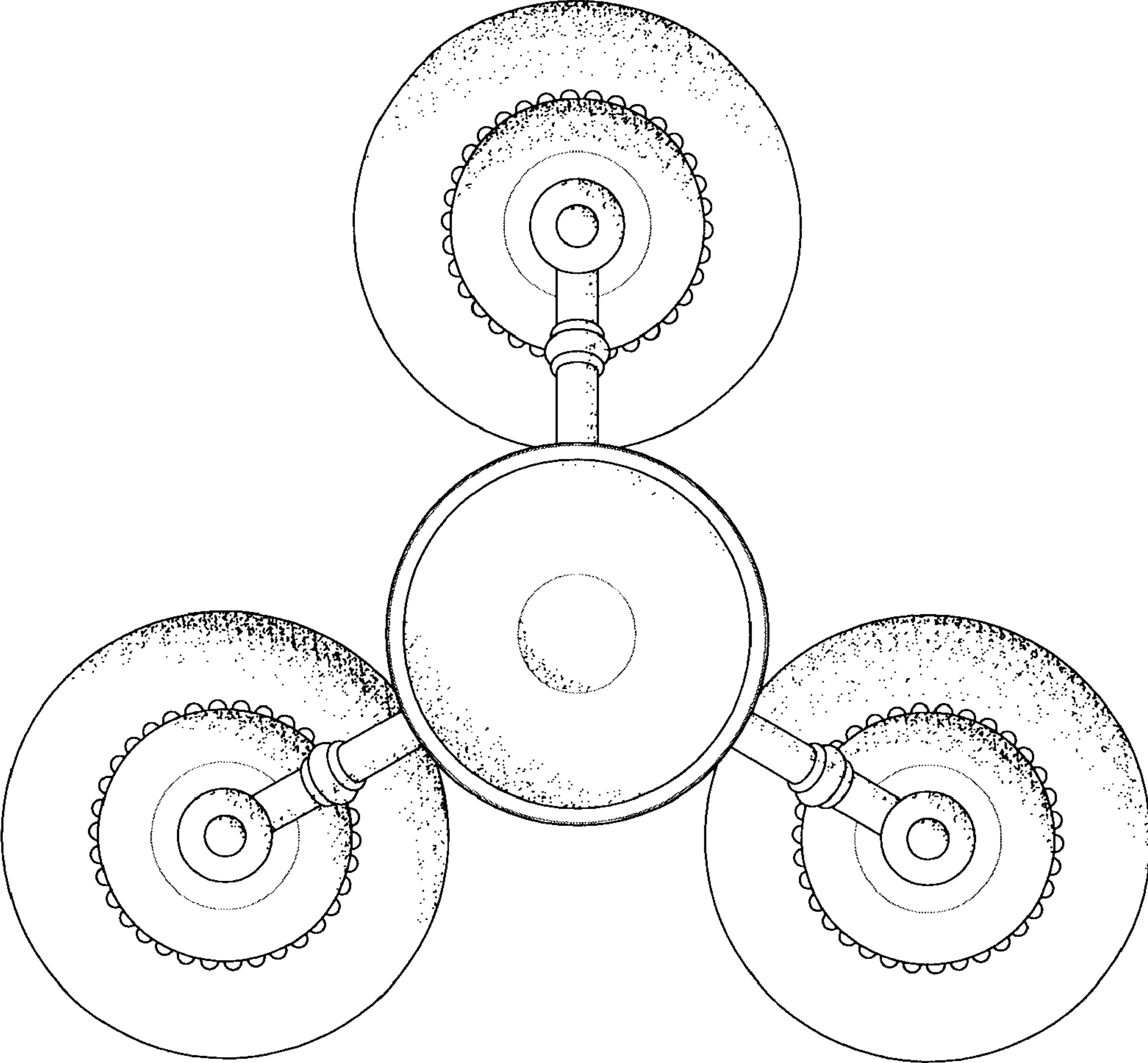


FIG. 6

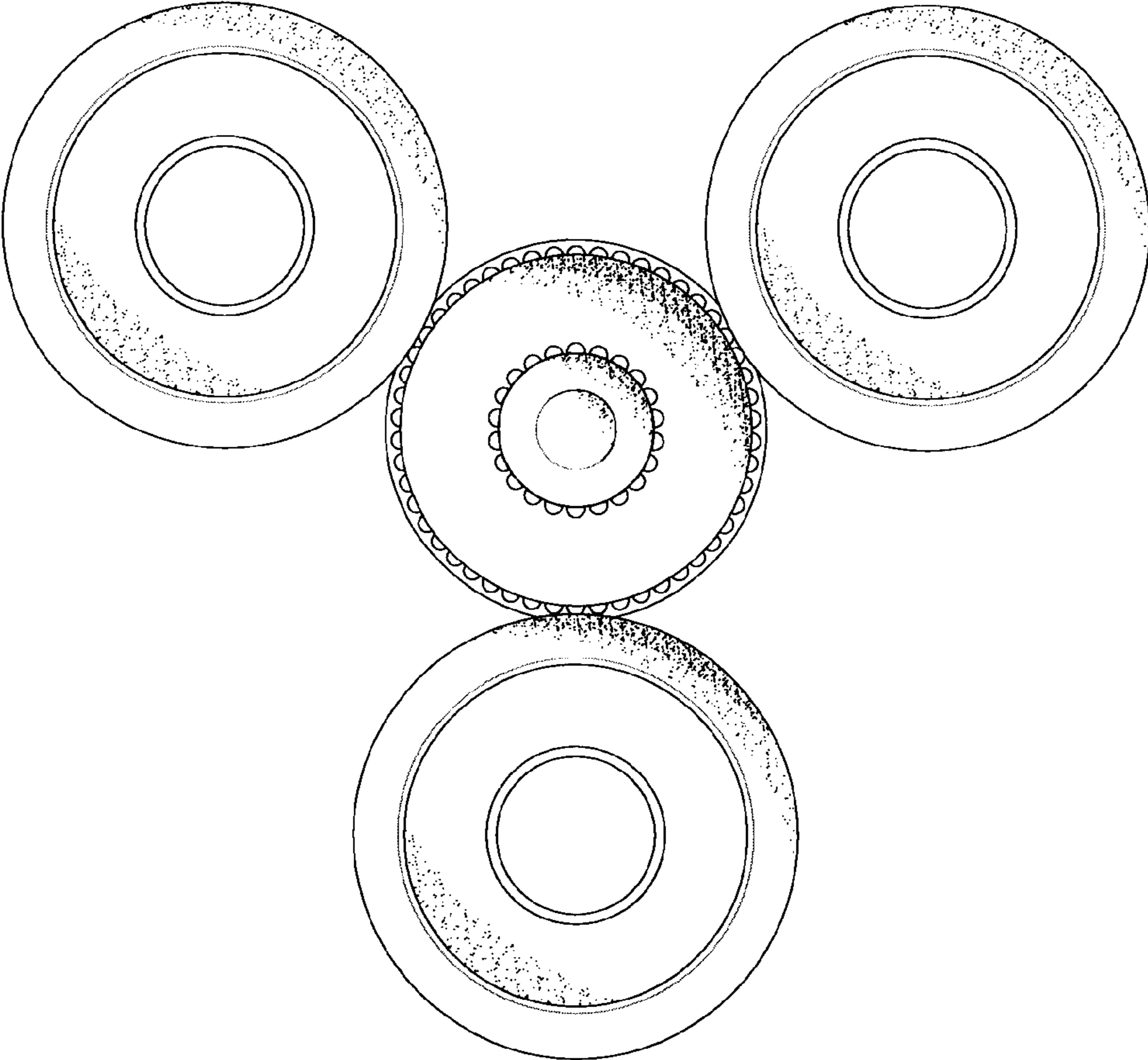


FIG. 7