



US00D530430S

(12) **United States Design Patent**
Dunbar

(10) **Patent No.:** **US D530,430 S**

(45) **Date of Patent:** **** Oct. 17, 2006**

(54) **CONTACT LENS CASE DRYING RACK**

2005/0258053 A1 * 11/2005 Sieg 206/5.1

(76) Inventor: **Lee Dunbar**, 1819 Wilmette Ave.,
Wilmette, IL (US) 60091

* cited by examiner

(**) Term: **14 Years**

Primary Examiner—Robert A. Delehanty

Assistant Examiner—Mark Cavanna

(21) Appl. No.: **29/219,250**

(74) *Attorney, Agent, or Firm*—Raymond N. Ervin;
Raymond N. Ervin, Ltd.

(22) Filed: **Dec. 14, 2004**

(57) **CLAIM**

(51) **LOC (8) Cl.** **24-01**

The ornamental design for a contact lens case drying rack,
as shown and described.

(52) **U.S. Cl.** **D24/218**

(58) **Field of Classification Search** D24/218;
D3/264; D28/73, 99; 211/13.1, 41.3, 85.1,
211/85.13; 206/5.1

DESCRIPTION

See application file for complete search history.

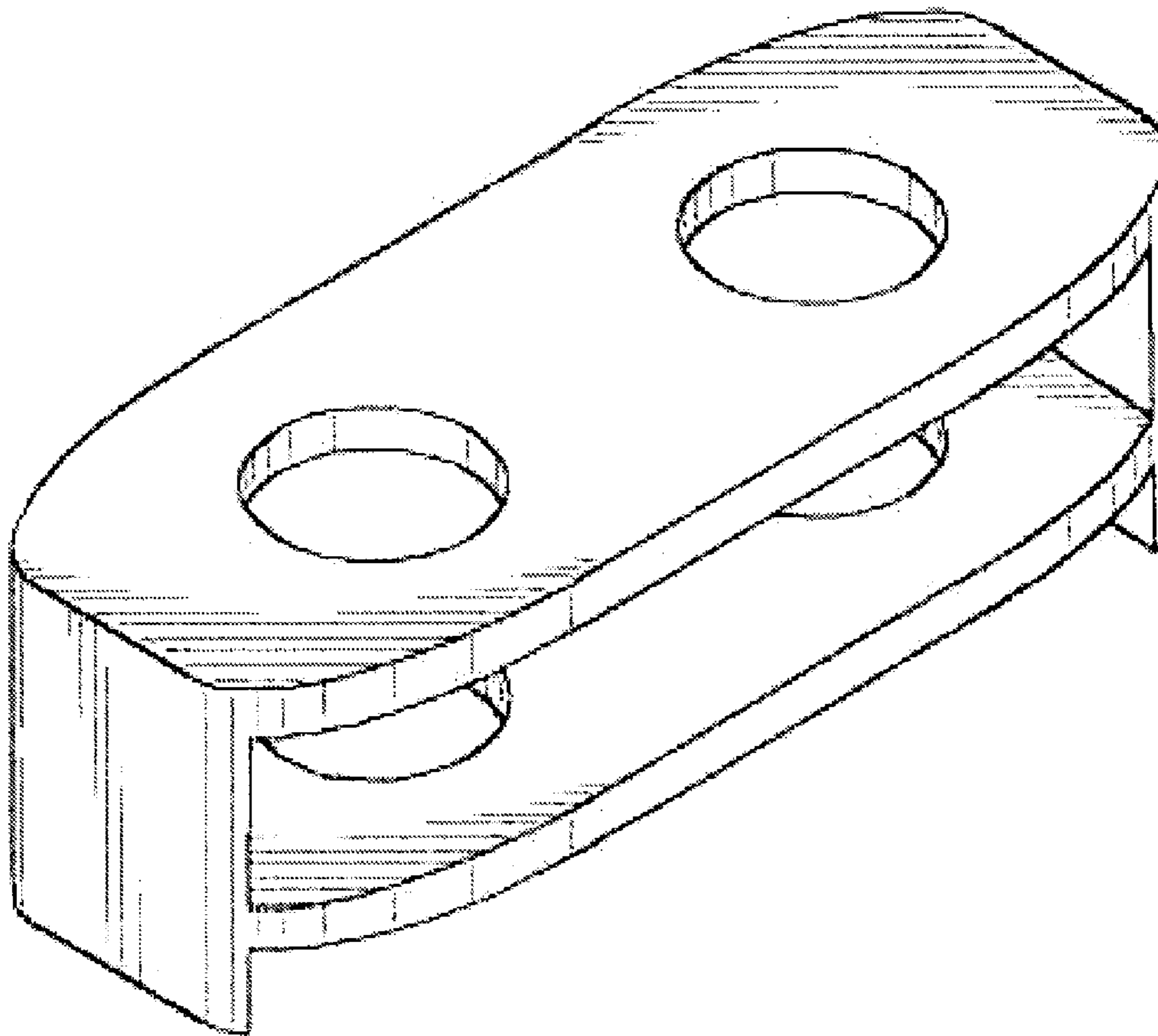
FIG. 1 is a front perspective view of a contact lens case drying rack showing my new design;
FIG. 2 is a top view thereof;
FIG. 3 is a right side view with the opposite side being a mirror image thereof;
FIG. 4 is a front side view with the opposite side being a mirror image thereof; and,
FIG. 5 is a bottom view thereof.

(56) **References Cited**

U.S. PATENT DOCUMENTS

3,394,717	A	*	7/1968	Hollinger	206/5.1
4,406,362	A	*	9/1983	Thomas et al.	206/5.1
4,823,944	A	*	4/1989	Ryder	206/5.1
D359,062	S	*	6/1995	Bisson	D24/218

1 Claim, 1 Drawing Sheet



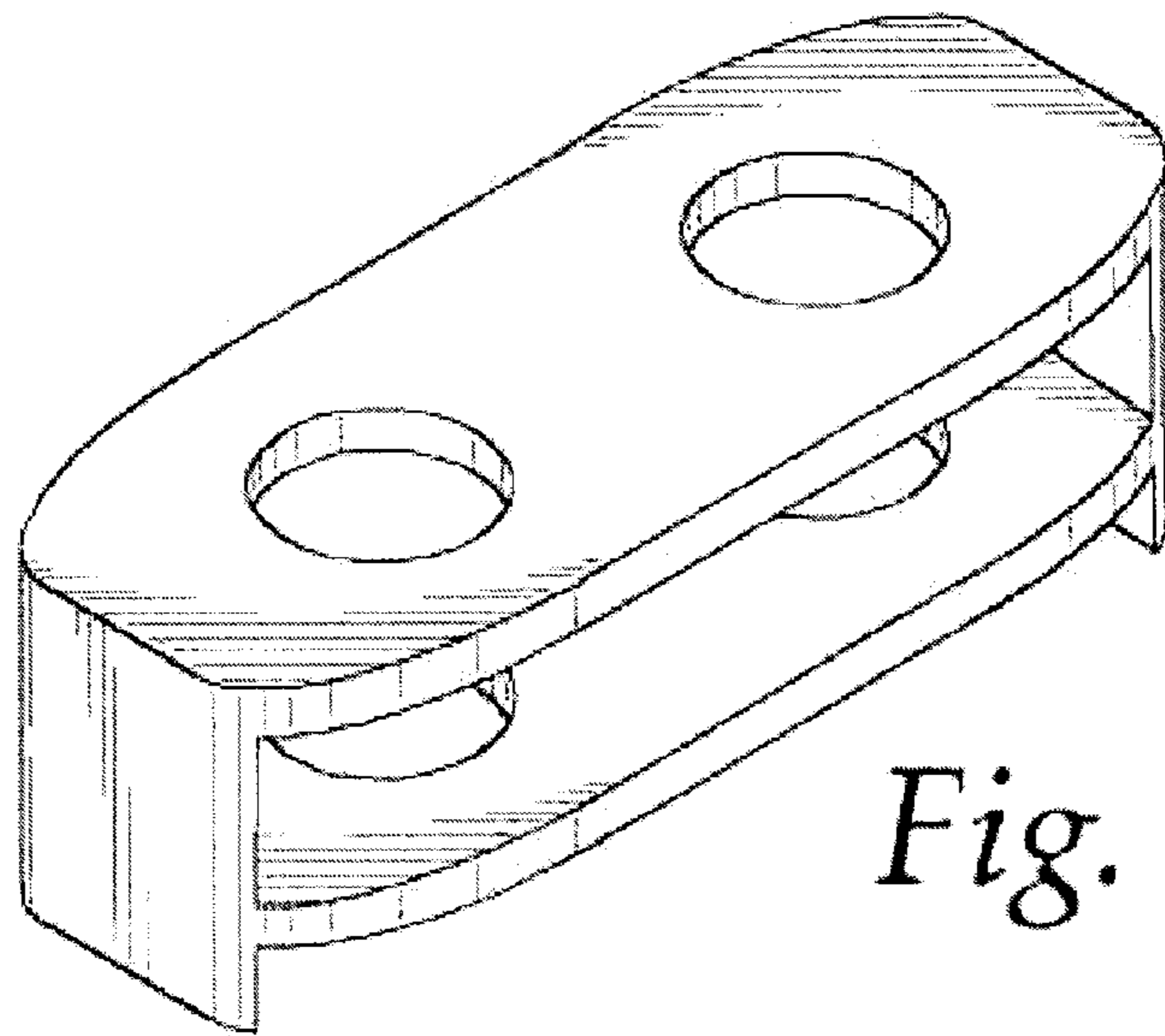


Fig. 1

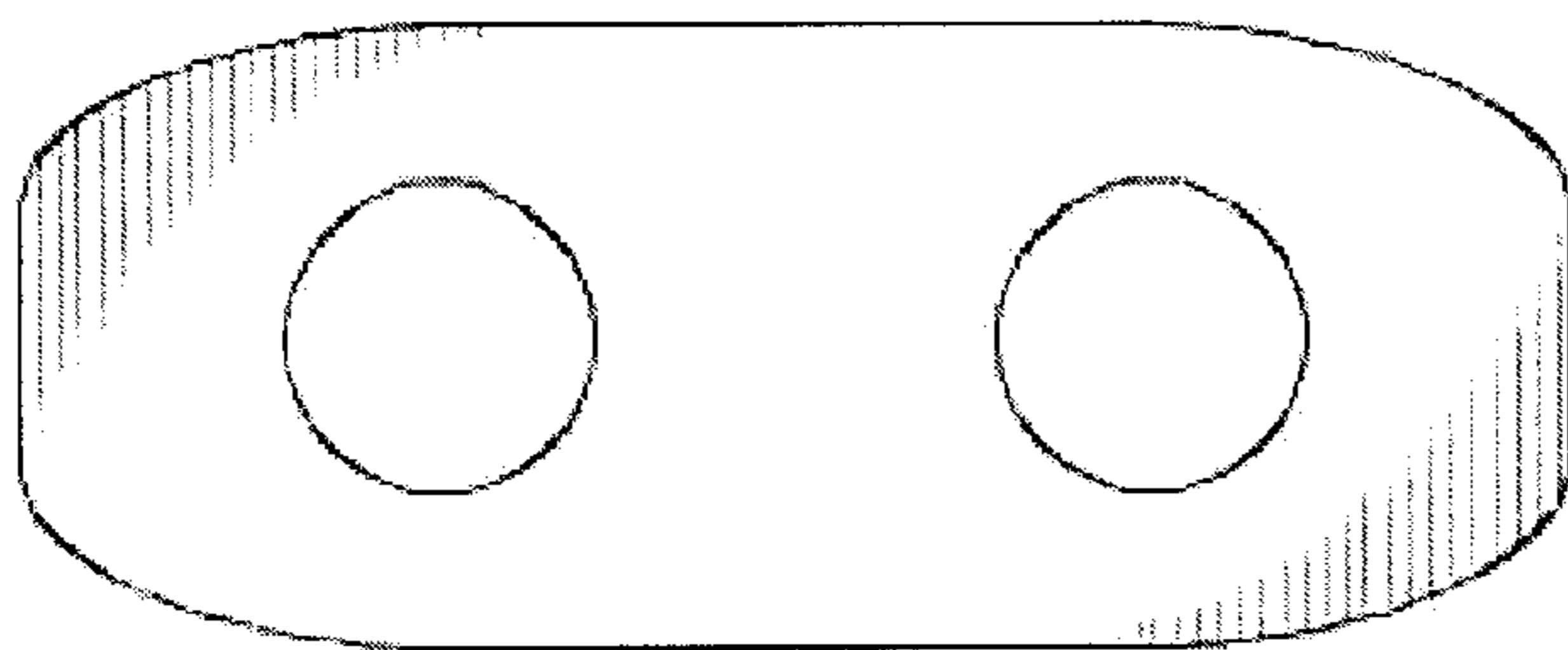


Fig. 2

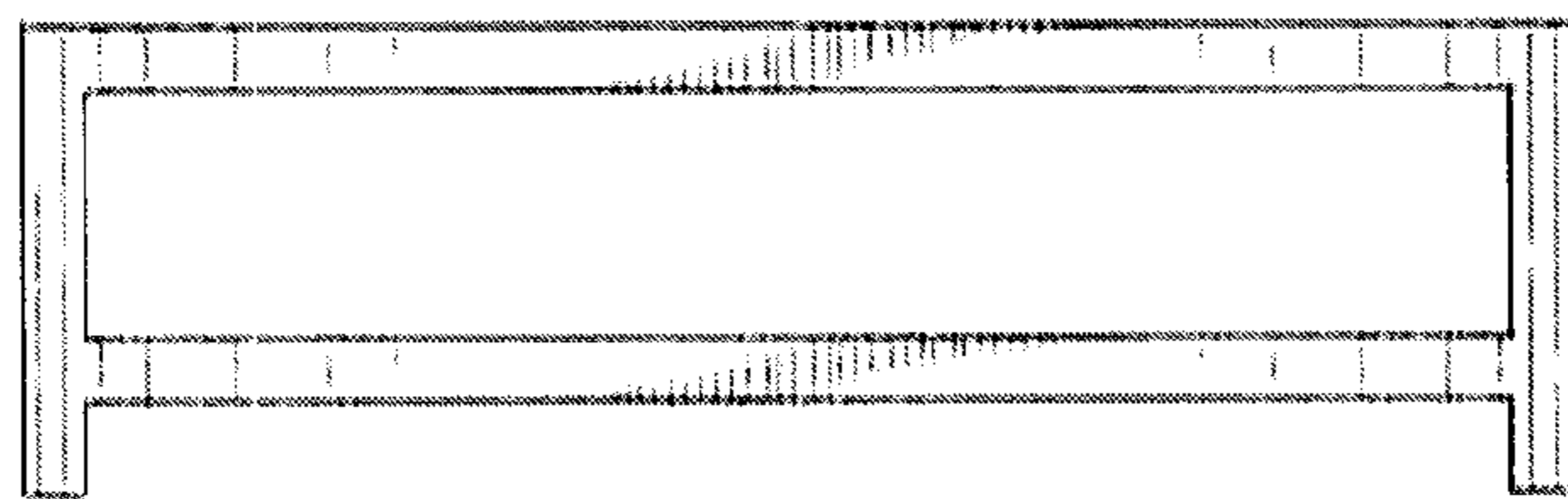


Fig. 3

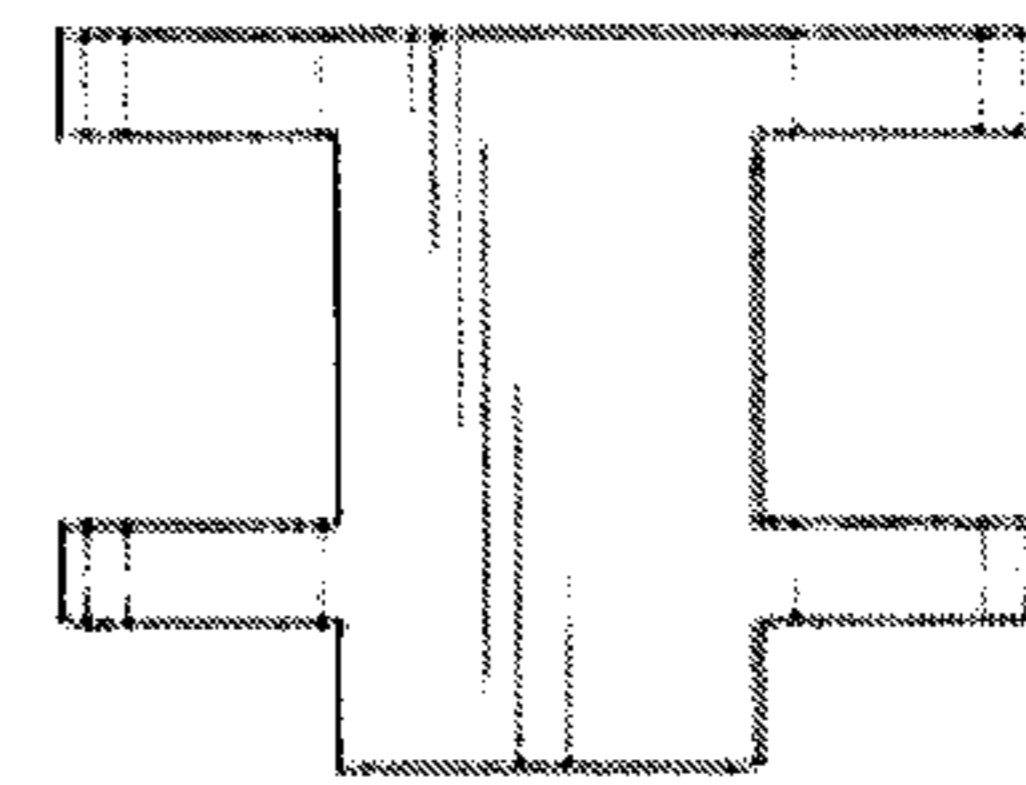


Fig. 4

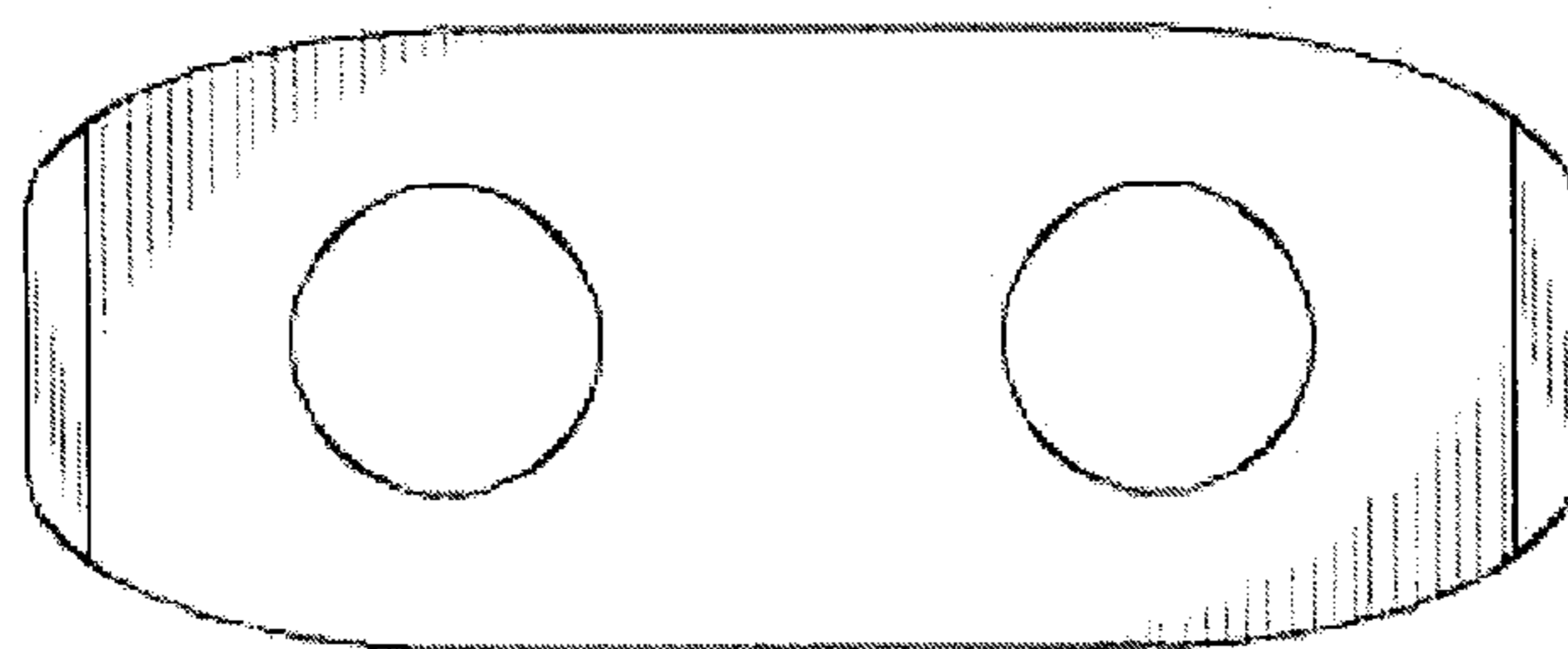


Fig. 5