



US00D530427S

(12) **United States Design Patent**  
**LaRocca**

(10) **Patent No.:** **US D530,427 S**

(45) **Date of Patent:** **\*\* Oct. 17, 2006**

(54) **WRIST DEVICE**

(75) Inventor: **Robert J. LaRocca**, Whitsett, NC (US)

(73) Assignee: **Hav-A-Wrist, Inc.**, Whitsett, NC (US)

(\*\*) Term: **14 Years**

(21) Appl. No.: **29/223,366**

(22) Filed: **Feb. 12, 2005**

(51) **LOC (8) Cl.** ..... **24-99**

(52) **U.S. Cl.** ..... **D24/190**

(58) **Field of Classification Search** ..... D24/190,  
D24/127, 128, 188, 183; D11/1, 4; D8/394,  
D8/395; 16/422, 423; 294/25

See application file for complete search history.

(56) **References Cited**

**U.S. PATENT DOCUMENTS**

D270,945 S	10/1983	Kohn	24/34
5,156,429 A *	10/1992	Adams	294/25
5,797,166 A *	8/1998	Wagenheim	16/443
5,853,210 A *	12/1998	Robinson	294/25
6,901,635 B1 *	6/2005	Scola	16/422

**OTHER PUBLICATIONS**

Print-out of web page from AllegroMedical.com for "The Arthwriter Hand Aid"; copyright 1996-2003; one page.

Print-out of web page from HSIonline.com for "Handaid"; disposable moisturizing gloves; undated.

Two sheets of drawings for U.S. Appl. No. 29/203,506; for: Wrist Device of Robert J. LaRocca; filed Apr. 15, 2004.

\* cited by examiner

*Primary Examiner*—Louis S. Zarfes

*Assistant Examiner*—Daniel Yu

(57) **CLAIM**

The ornamental design for a wrist device, as shown and described.

**DESCRIPTION**

FIG. 1 is a top, left side, front perspective view of a wrist device embodying my design;

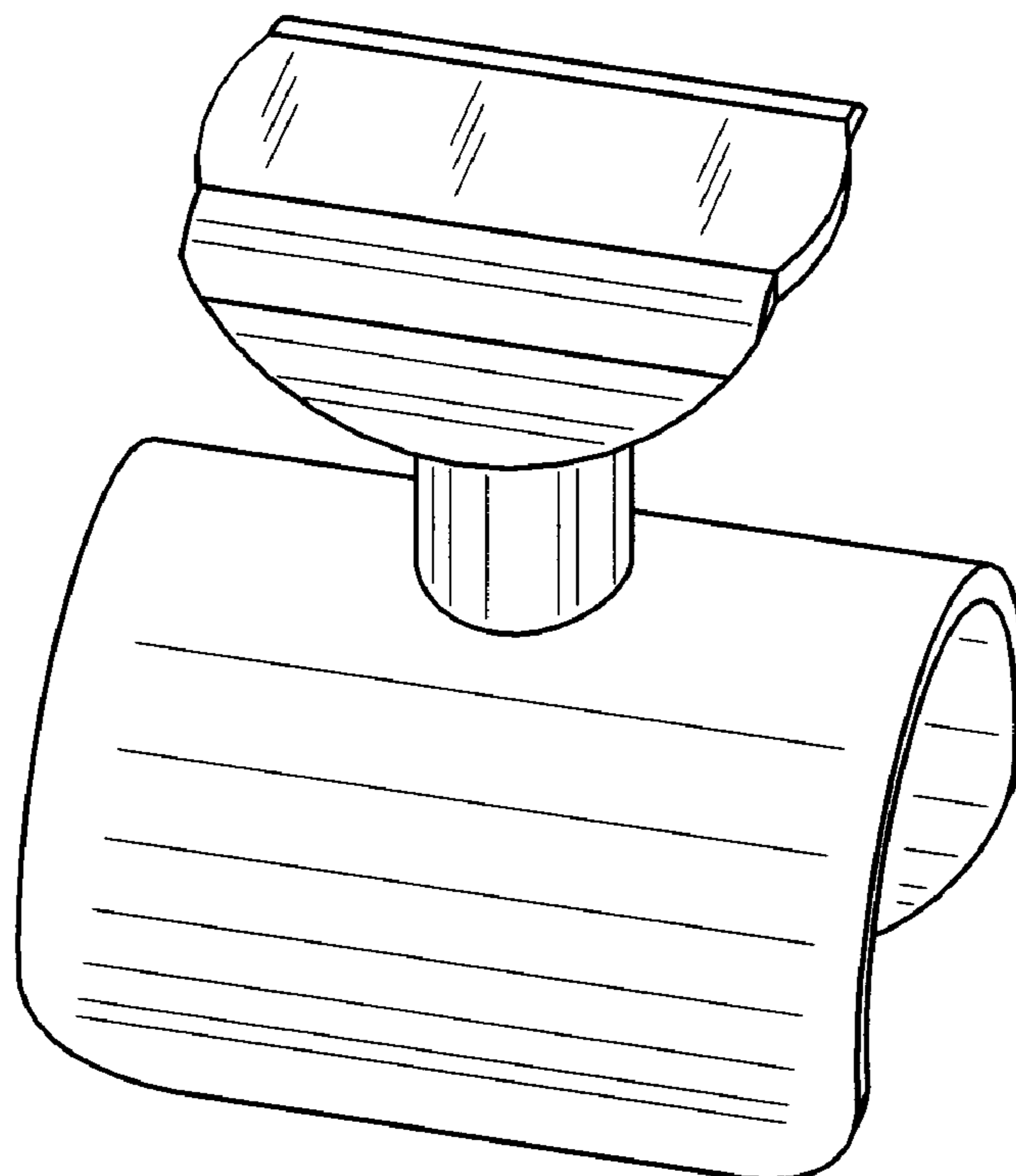
FIG. 2 is a front elevational view thereof, the rear elevational view being a mirror image thereof;

FIG. 3 is a right side elevational view thereof, the left side elevational view being a mirror image thereof;

FIG. 4 is a top plan view thereof; and,

FIG. 5 is a bottom plan view thereof.

**1 Claim, 2 Drawing Sheets**



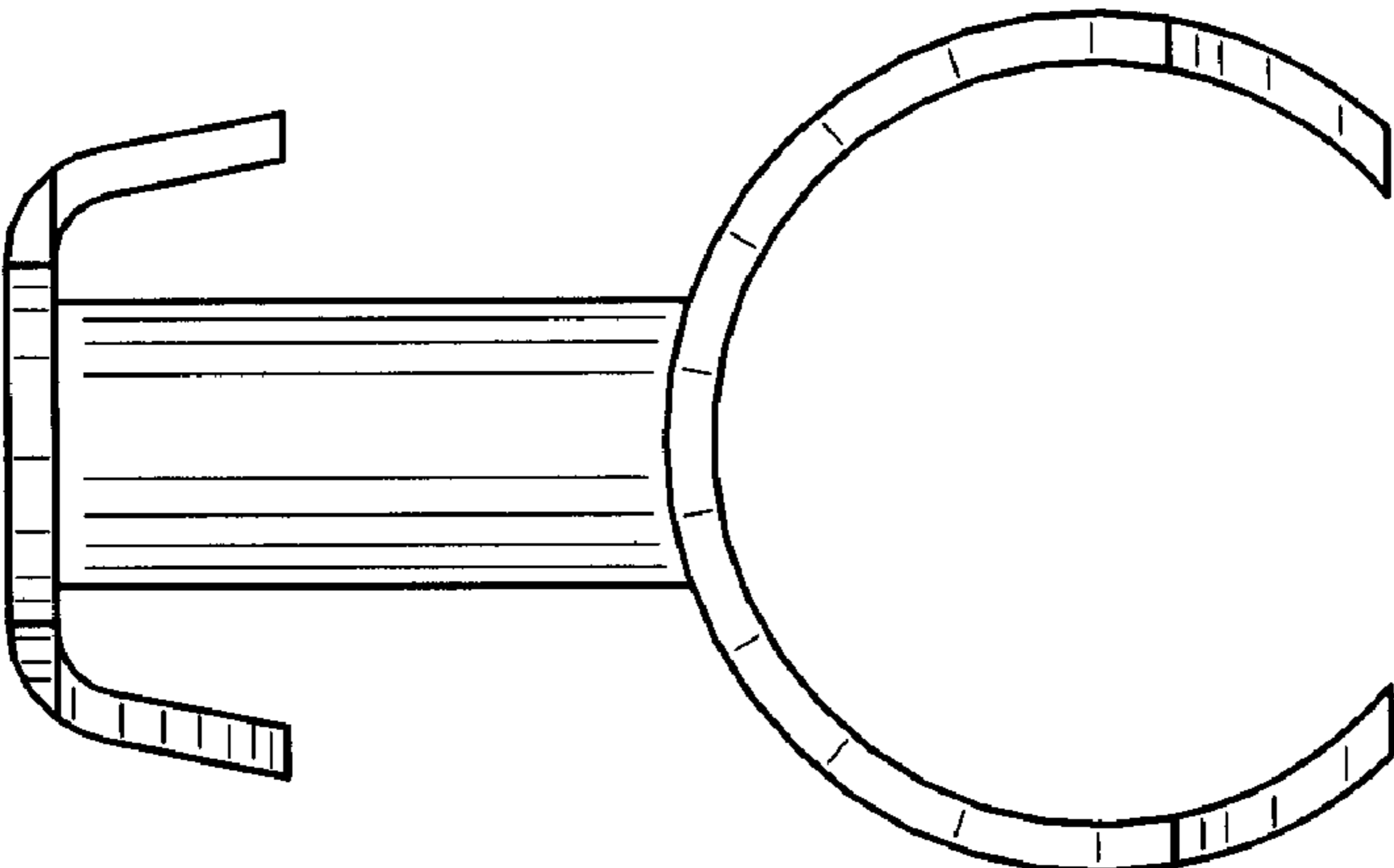


FIG. 2

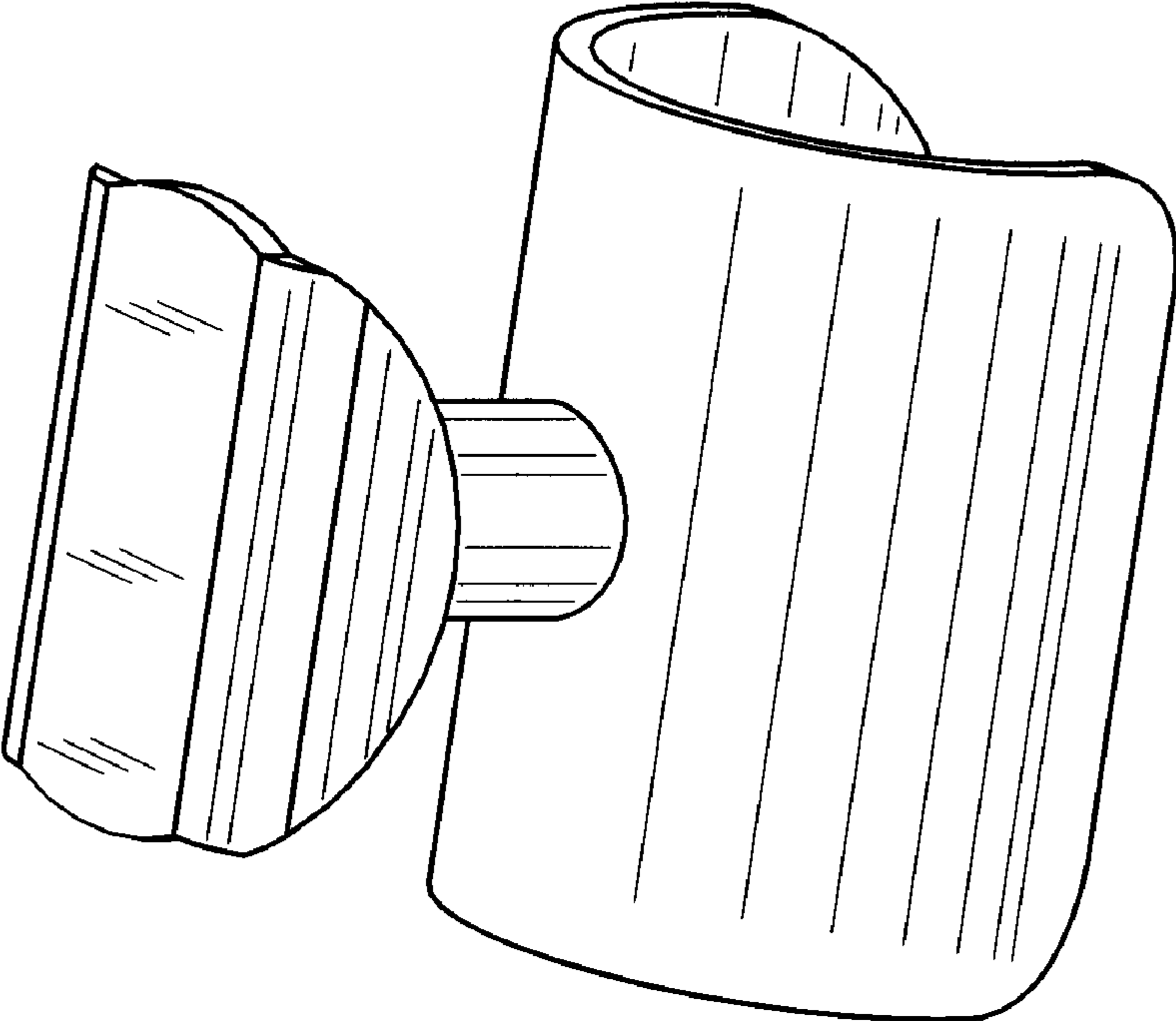


FIG. 1

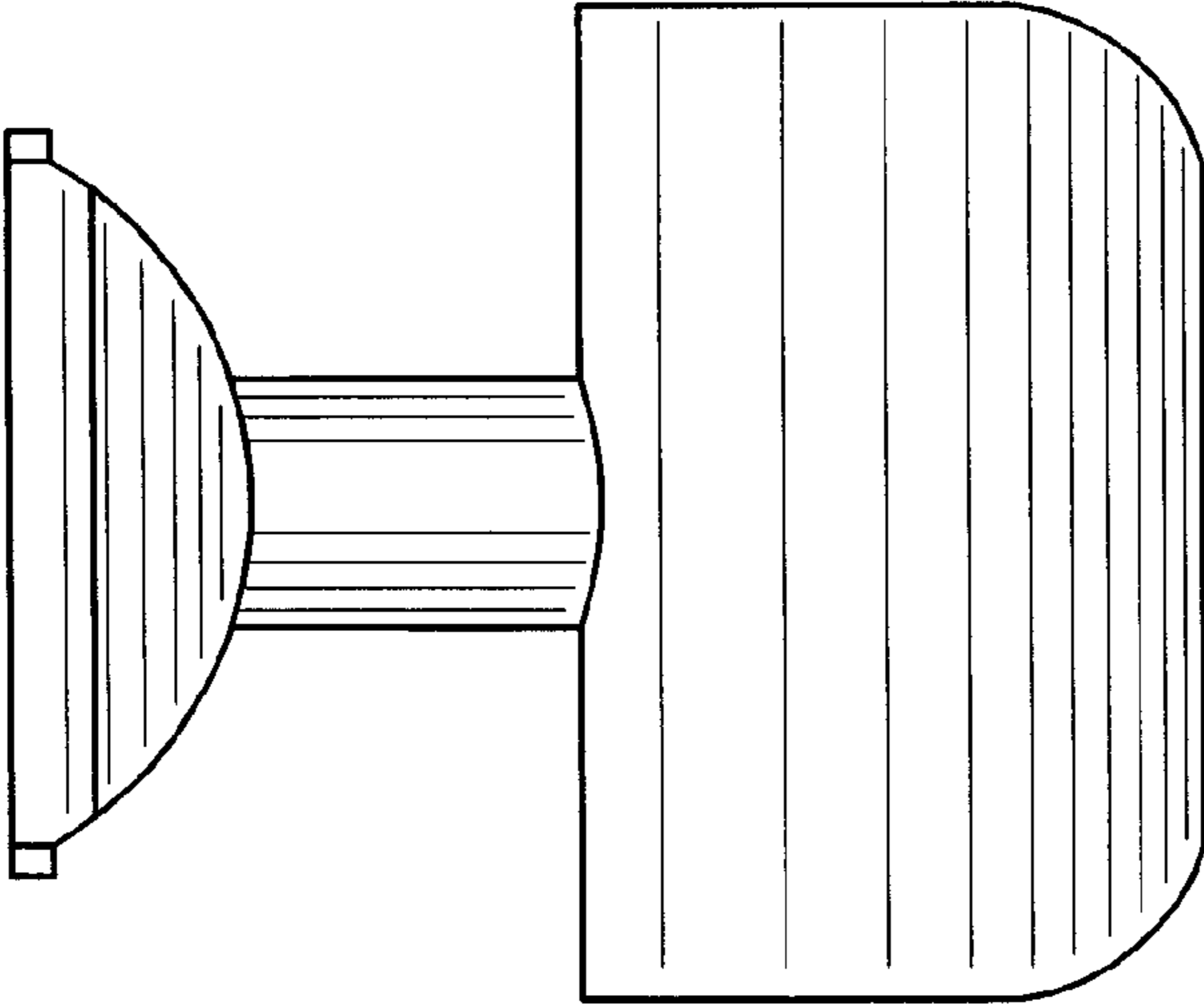


FIG. 3

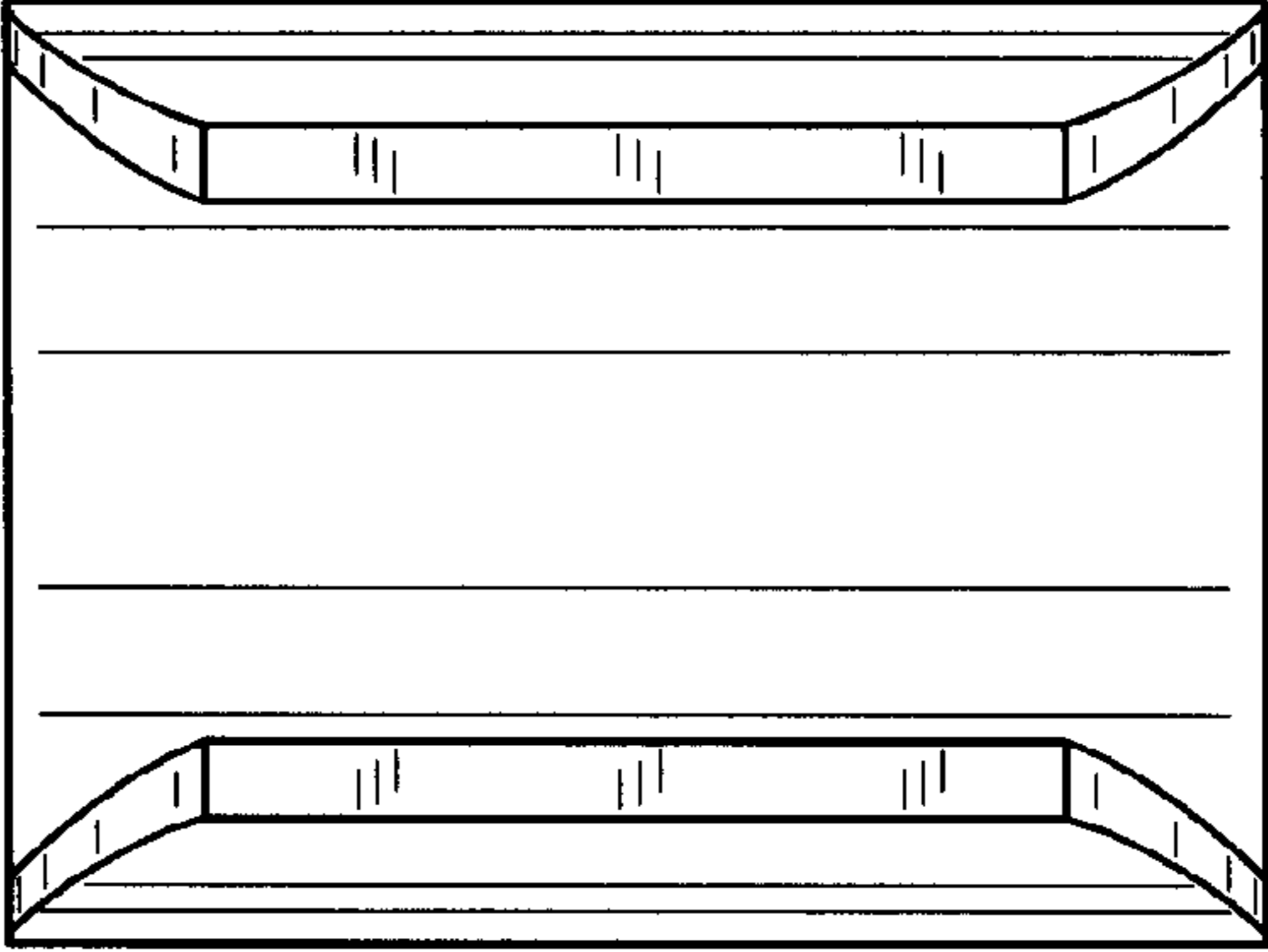


FIG. 5

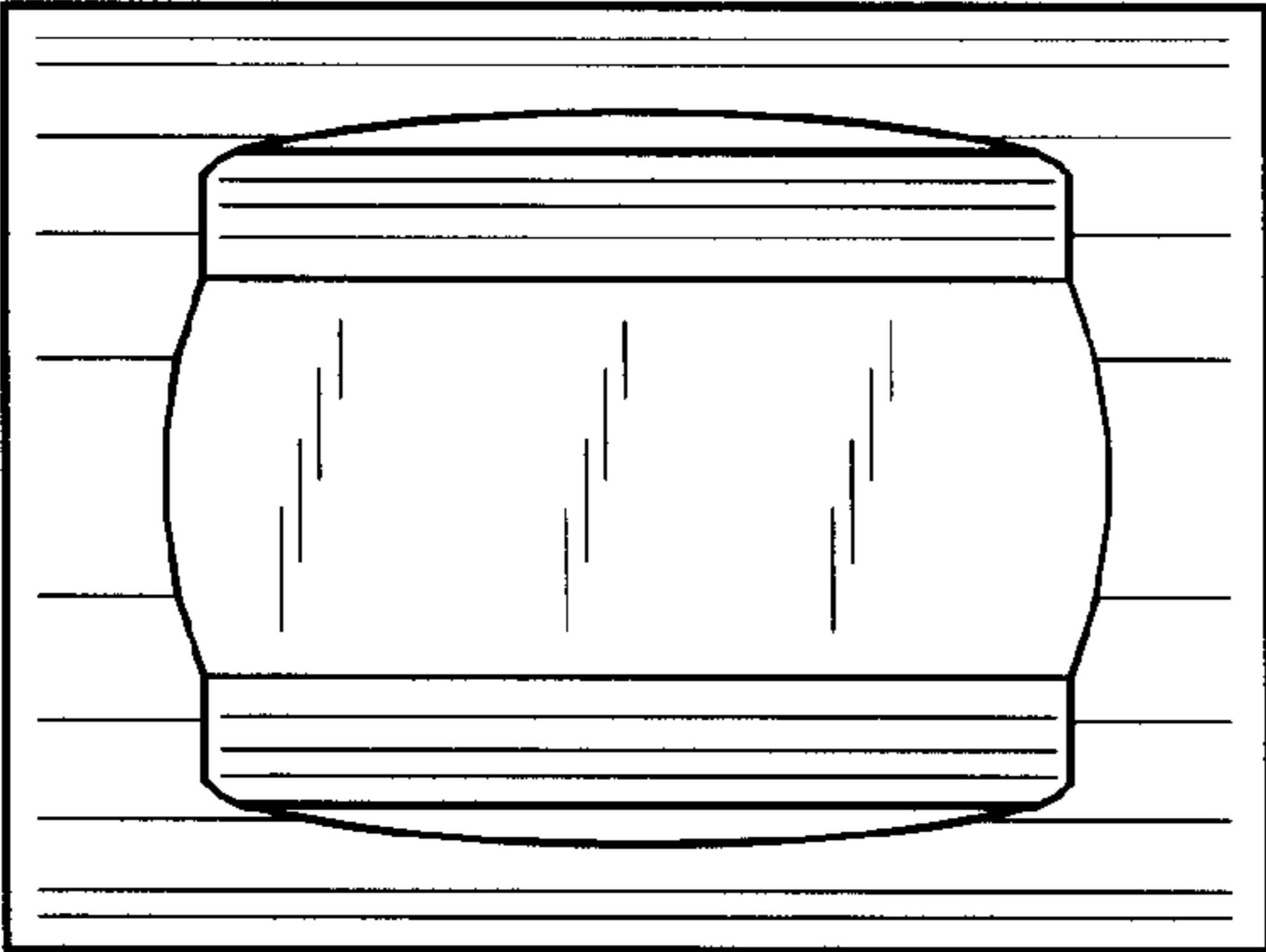


FIG. 4