



US00D530425S

(12) **United States Design Patent**
Carlson

(10) **Patent No.:** **US D530,425 S**

(45) **Date of Patent:** **** Oct. 17, 2006**

(54) **BITE RIM**

(76) **Inventor:** **James E. Carlson**, 3380 Little Ida Beach Rd., Alexandria, MN (US) 56308

(**) **Term:** **14 Years**

(21) **Appl. No.:** **29/223,902**

(22) **Filed:** **Feb. 22, 2005**

(51) **LOC (8) Cl.** **24-02**

(52) **U.S. Cl.** **D24/181; D29/108**

(58) **Field of Classification Search** D24/180–181, D24/176, 152–156, 107; 433/37–43, 76, 433/165, 213–214, 102; 173/76; 606/130, 606/2; 623/17.11; D29/108; 128/859–862

See application file for complete search history.

(56) **References Cited**

U.S. PATENT DOCUMENTS

2,827,899	A	*	3/1958	Altieri	128/862
3,103,217	A	*	9/1963	Butler et al.	128/862
3,207,153	A	*	9/1965	Goldstein	128/862
3,223,085	A	*	12/1965	Gores et al.	128/861
3,228,107	A	*	1/1966	Zandberg	D24/176
3,234,942	A	*	2/1966	Simor	128/862
3,236,235	A	*	2/1966	Jacobs	128/862
3,247,844	A	*	4/1966	Berghash	128/862
3,312,218	A	*	4/1967	Jacobs	128/862
3,333,582	A	*	8/1967	Cathcart	433/74
D212,848	S	*	12/1968	Westlund	D24/181
D228,048	S	*	8/1973	Miller	D24/176
D263,073	S	*	2/1982	Jonkers et al.	D24/181
D406,405	S	*	3/1999	Yoshida	D29/108
D406,647	S	*	3/1999	Wagner	D24/181

6,149,428	A	*	11/2000	Mogensen	D29/108
D456,515	S	*	4/2002	Dinu	D24/181
D458,998	S	*	6/2002	Tolan et al.	D24/181
D464,432	S	*	10/2002	Huffman	D24/176
D492,785	S	*	7/2004	Garabito	D24/181

* cited by examiner

Primary Examiner—Charles A. Rademaker

(74) *Attorney, Agent, or Firm*—Oppenheimer Wolff & Donnelly LLP

(57) **CLAIM**

The ornamental design for a bite rim, substantially as shown and described.

DESCRIPTION

FIG. 1 is a rear perspective view of a bite rim showing my new design;

FIG. 2 is a top plan view thereof;

FIG. 3 is a bottom plan view thereof;

FIG. 4 is a right side elevation thereof;

FIG. 5 is a left side elevation thereof;

FIG. 6 is a rear elevation thereof;

FIG. 7 is a front elevation thereof;

FIG. 8 is a rear perspective view of a modified embodiment of the design shown in FIGS. 1 through 7;

FIG. 9 is a top plan view thereof;

FIG. 10 is a bottom plan view thereof;

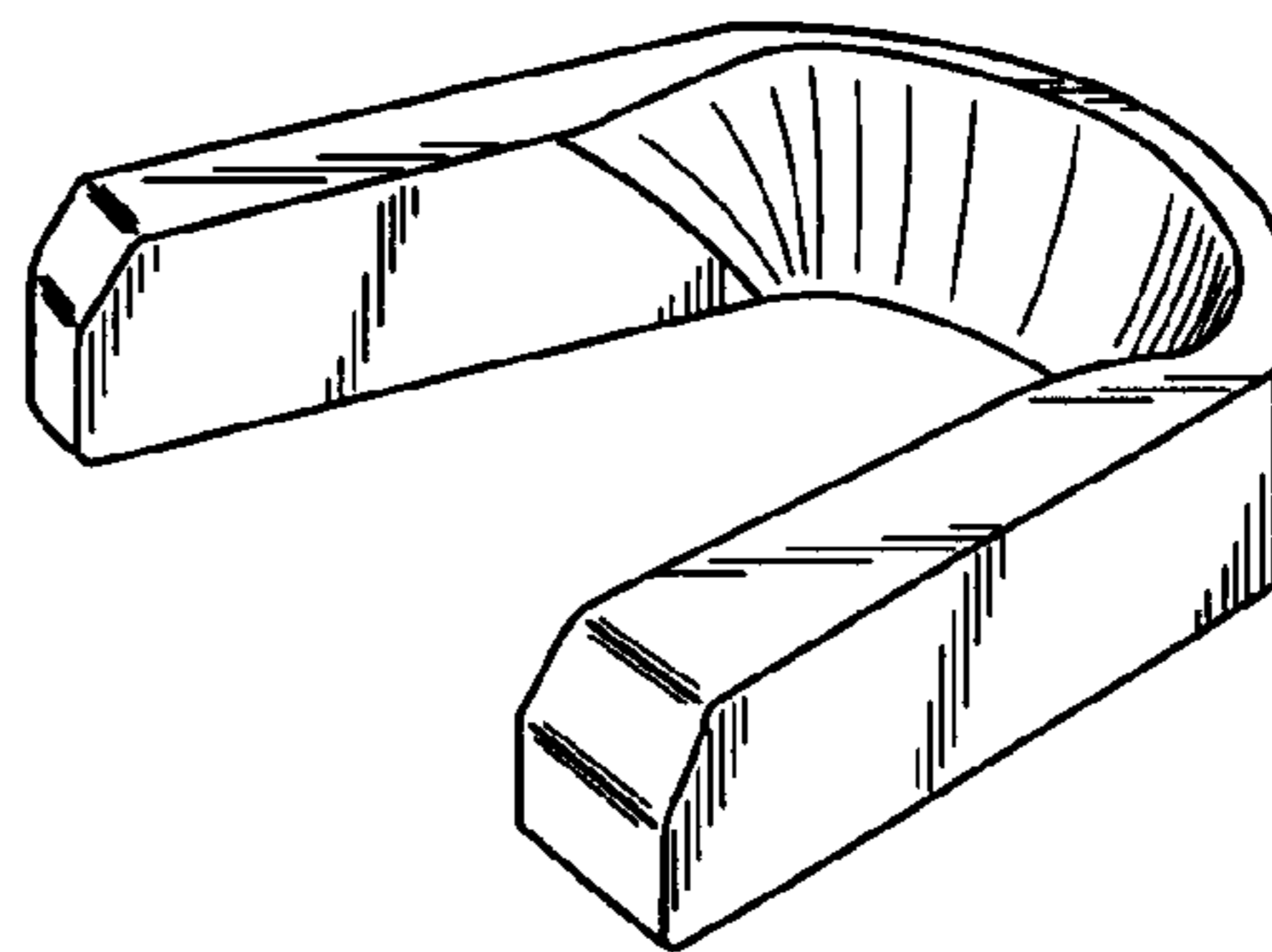
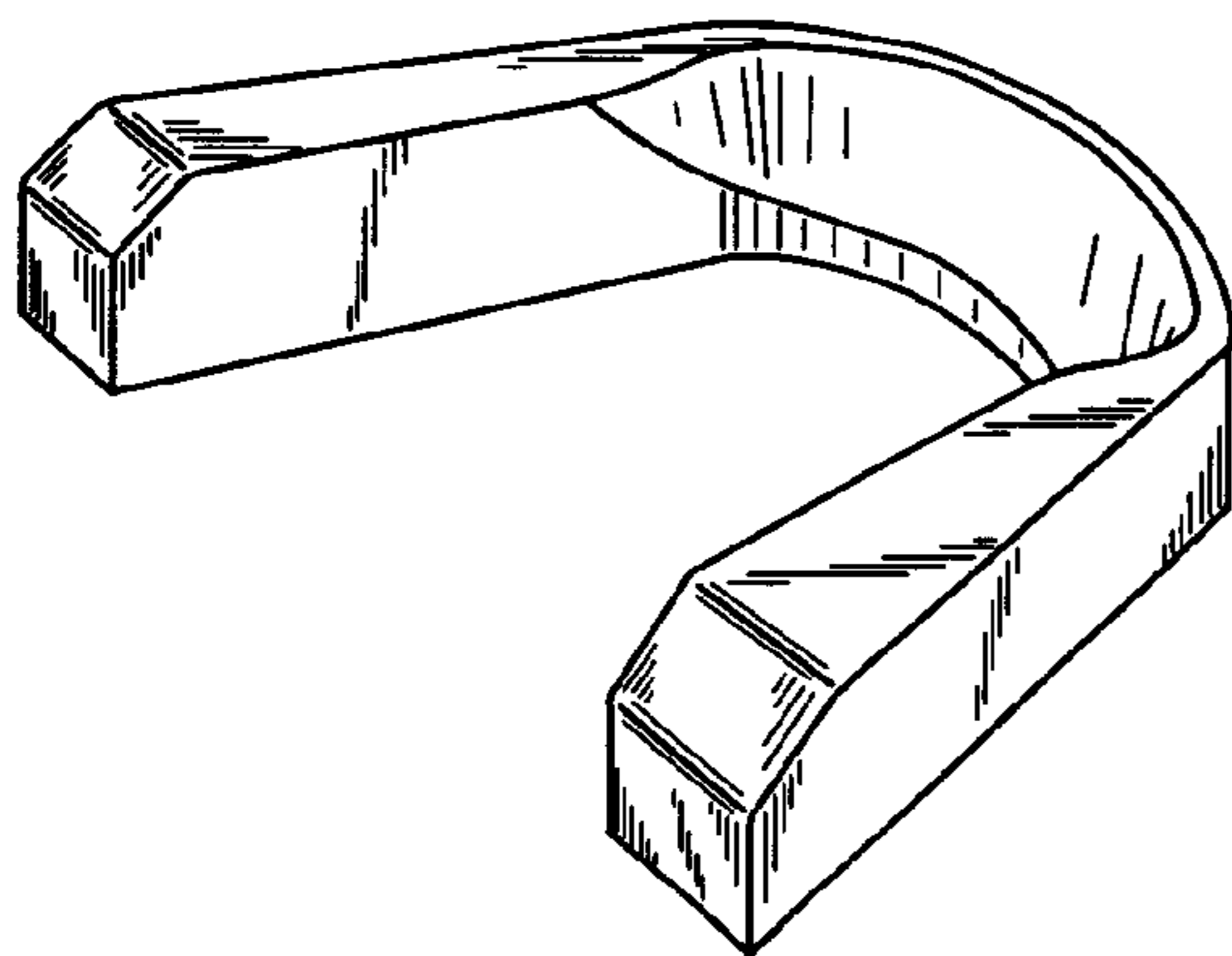
FIG. 11 is a right side elevation thereof;

FIG. 12 is a left side elevation thereof;

FIG. 13 is a rear elevation thereof; and,

FIG. 14 is a front elevation thereof.

1 Claim, 8 Drawing Sheets



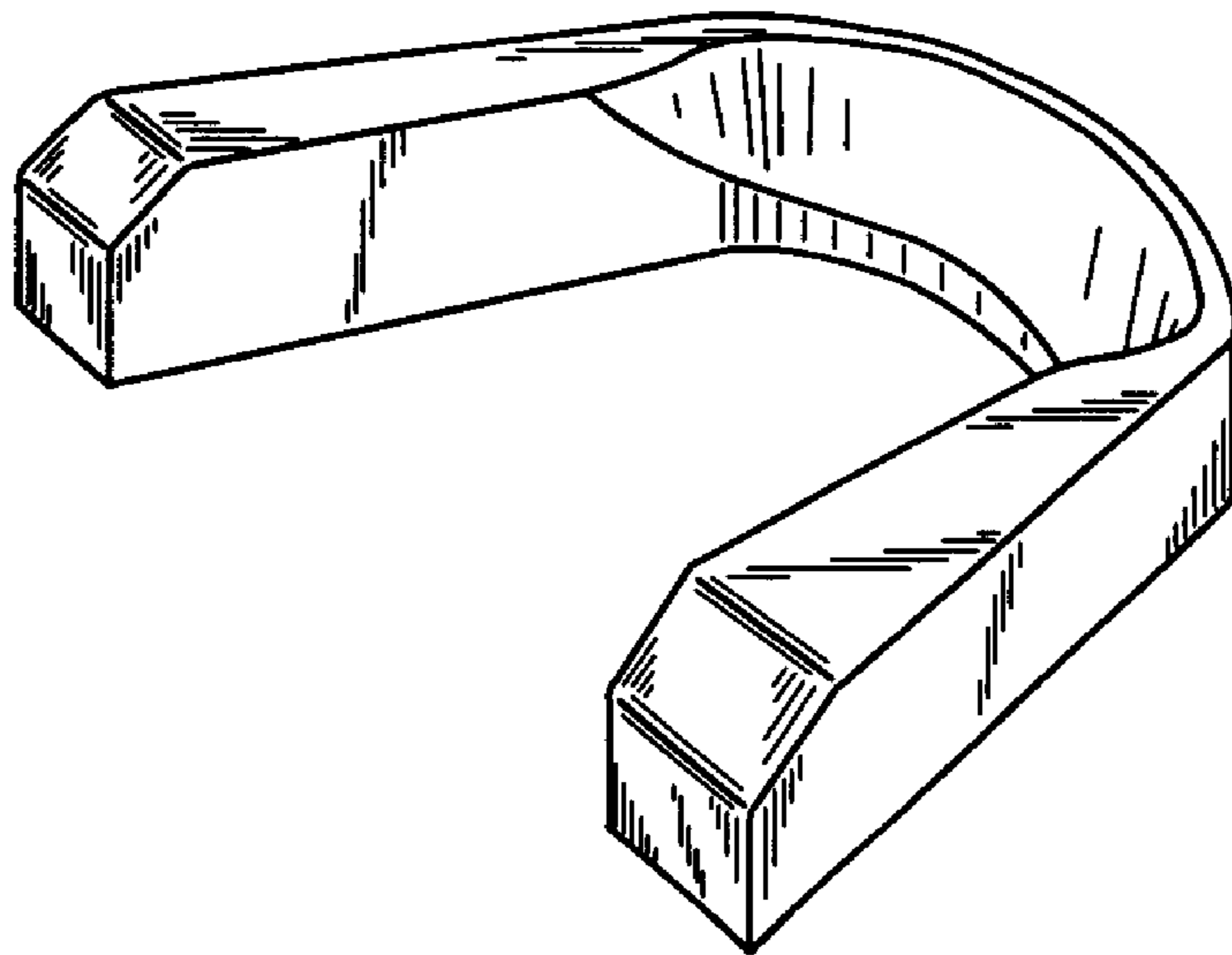


Fig. 1

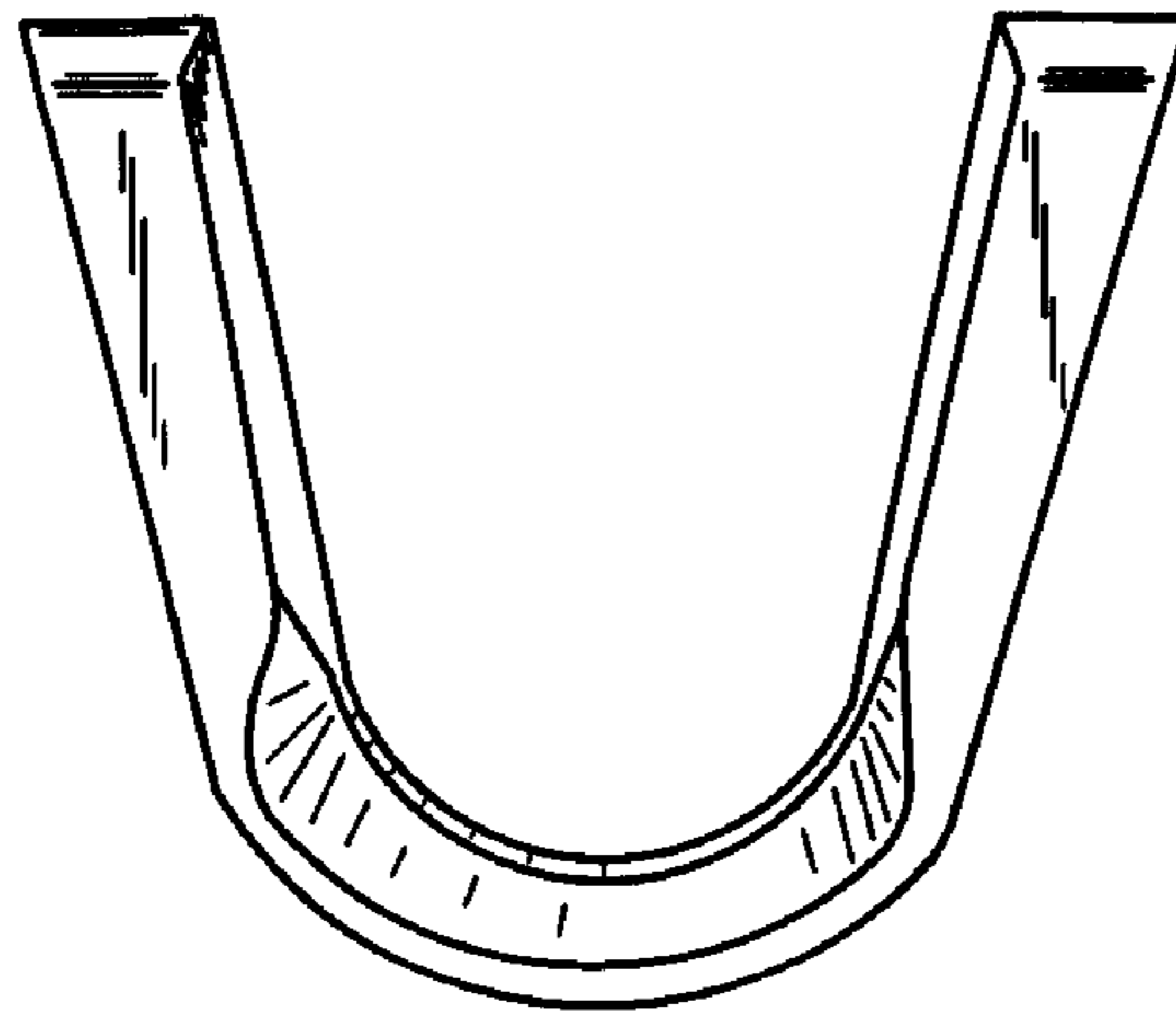


Fig. 2

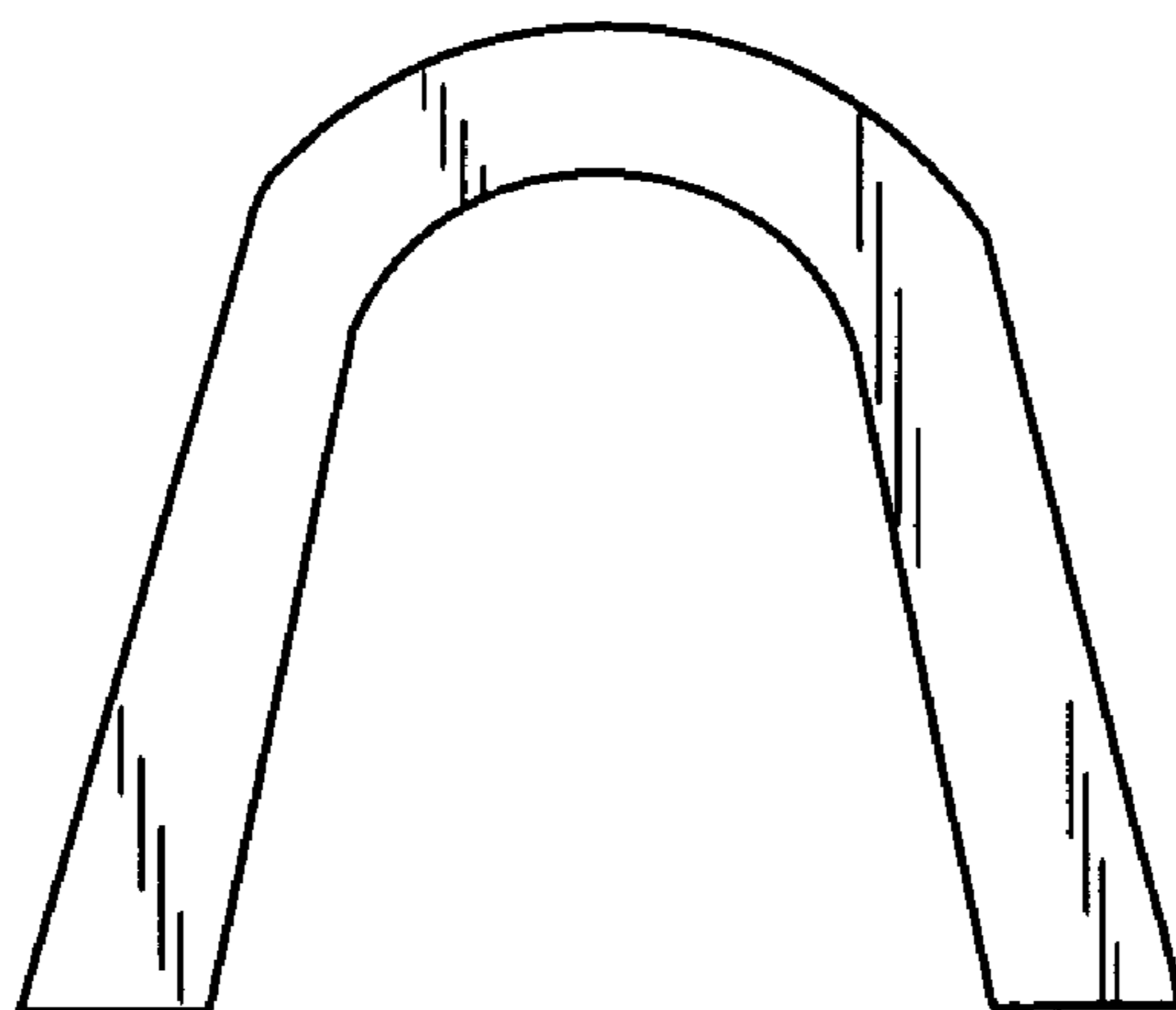


Fig. 3



Fig. 4

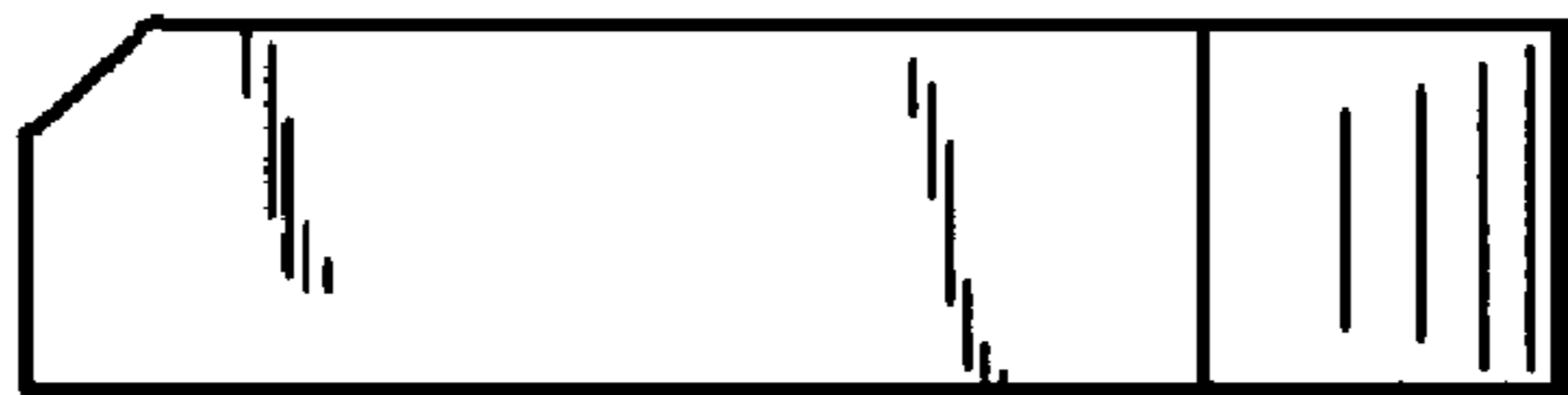


Fig. 5



Fig. 6

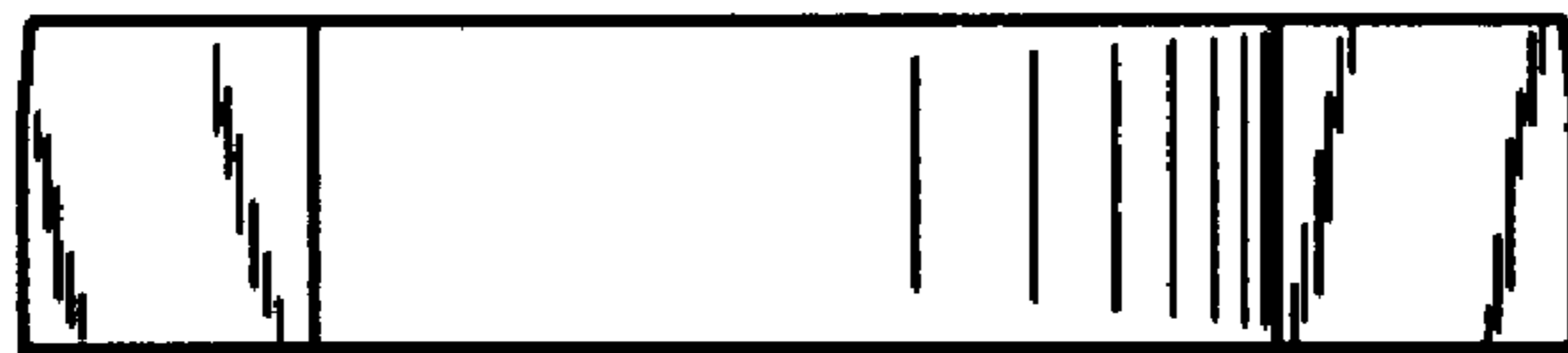


Fig. 7

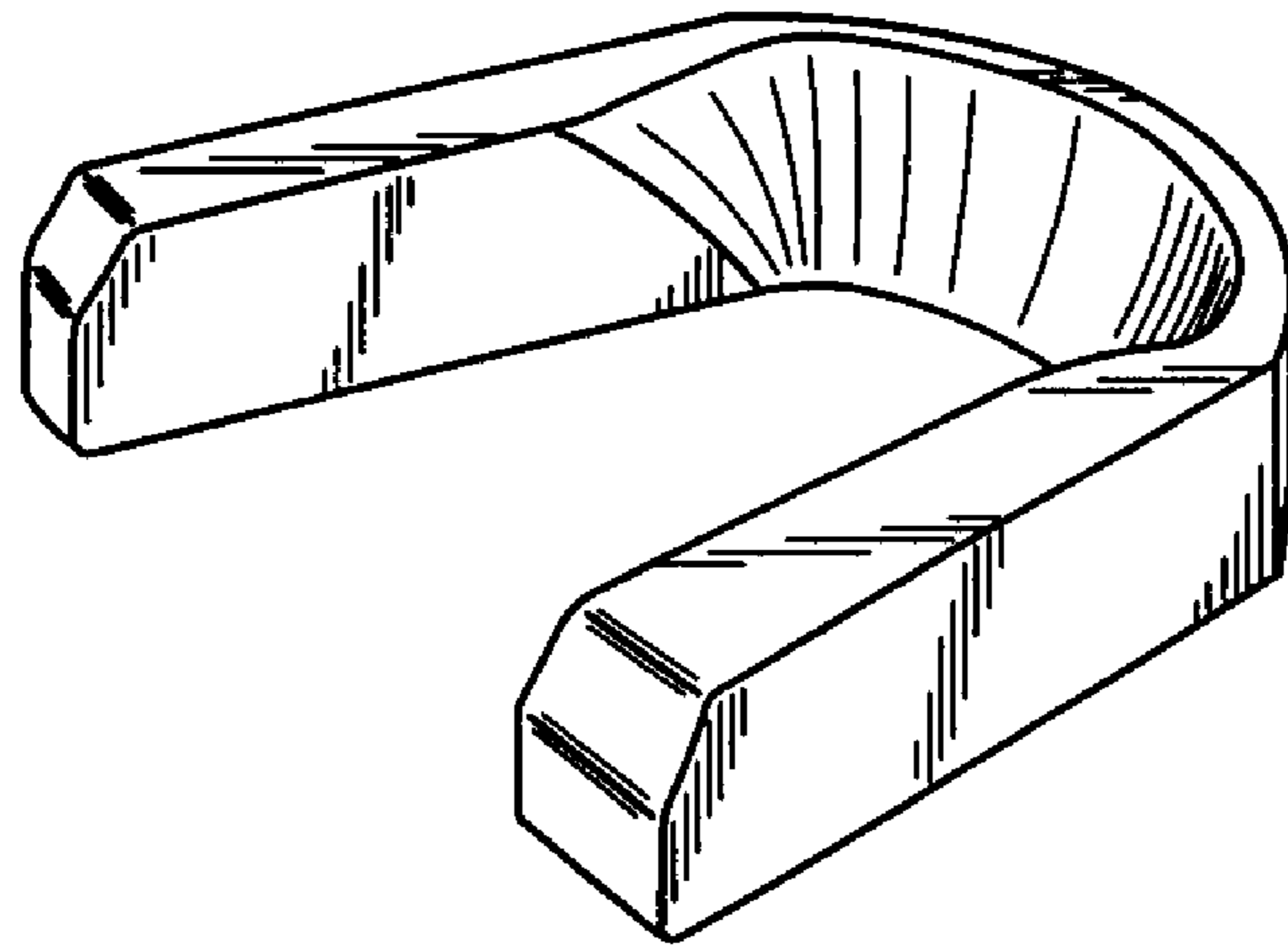


Fig. 8

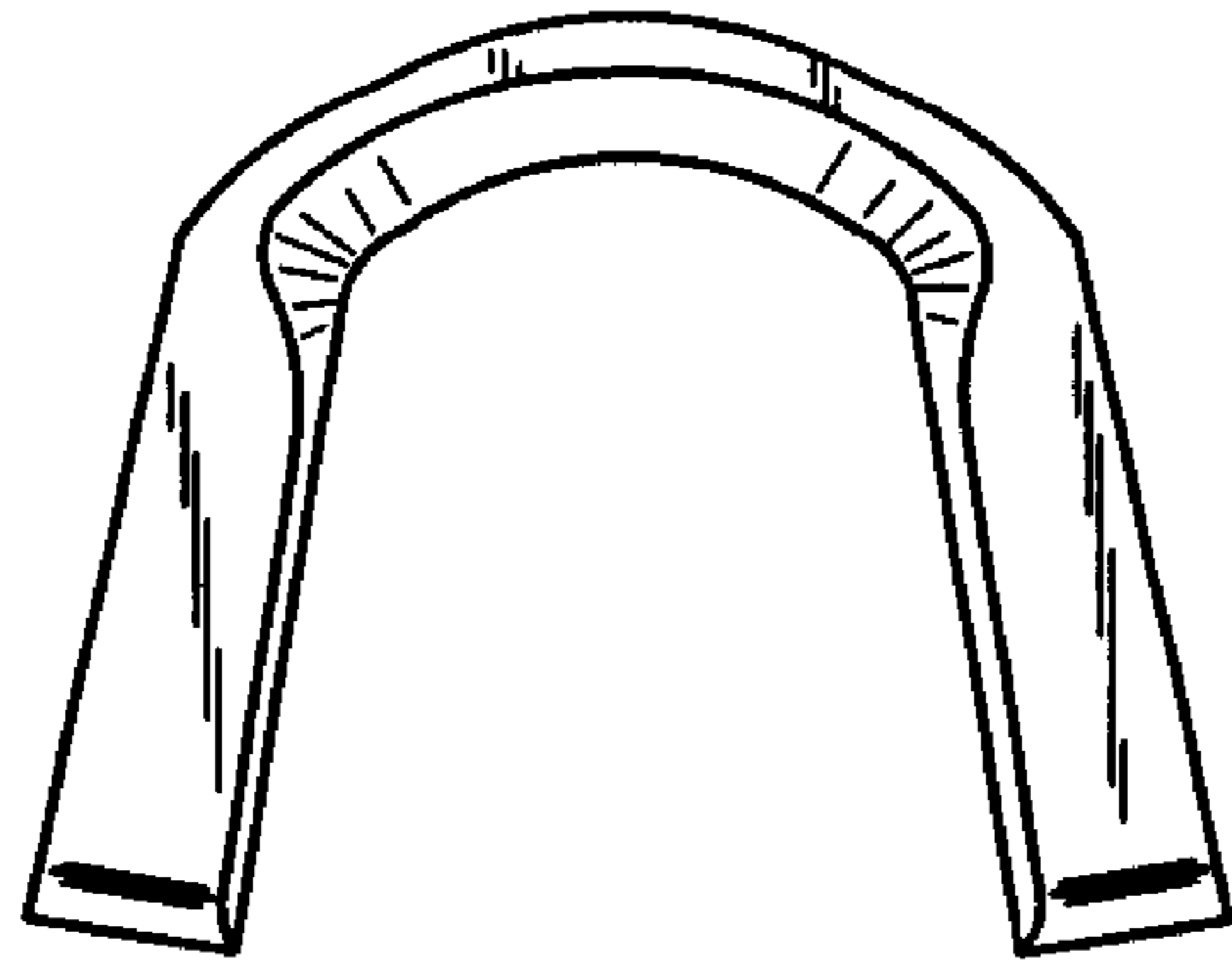


Fig. 9

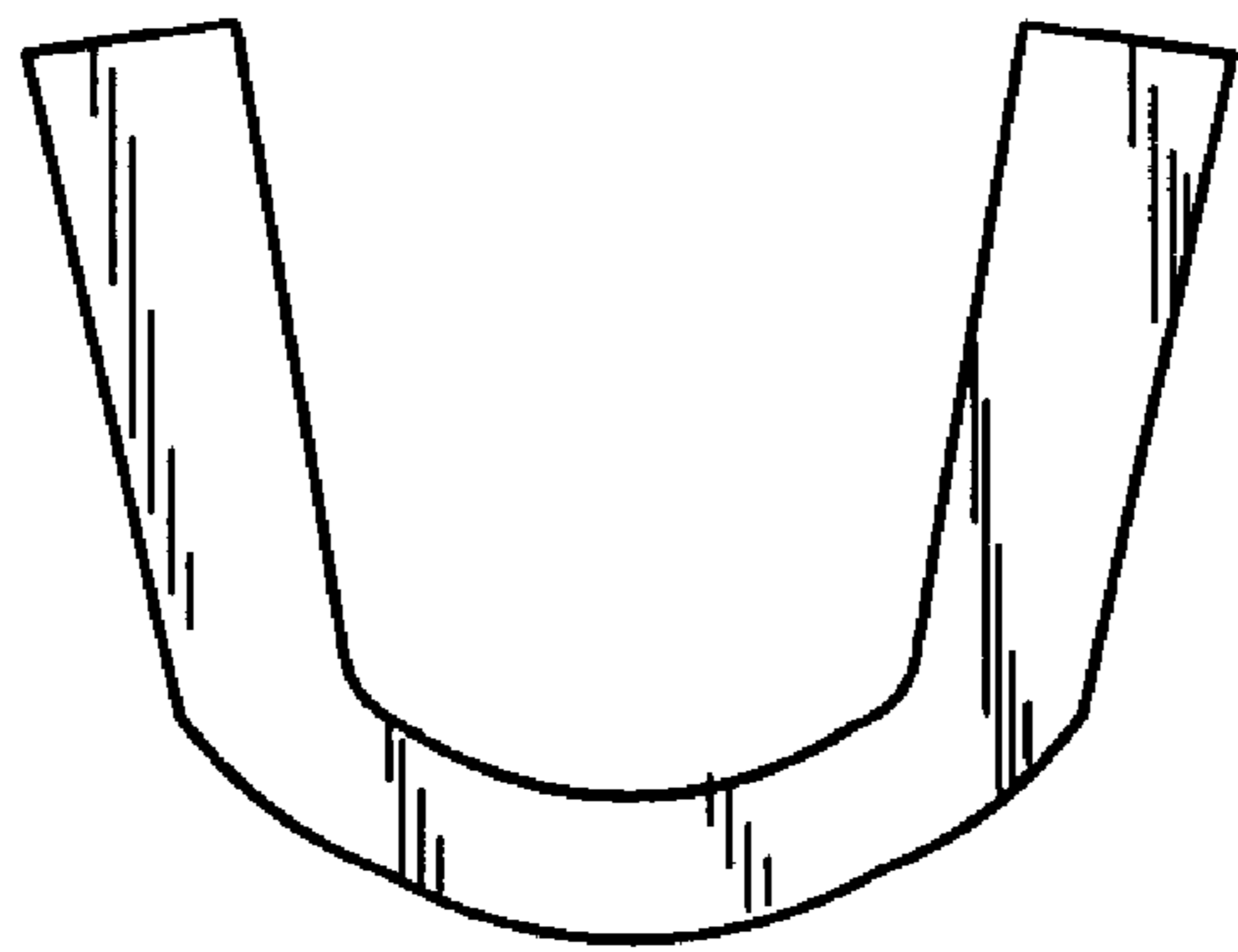


Fig. 10

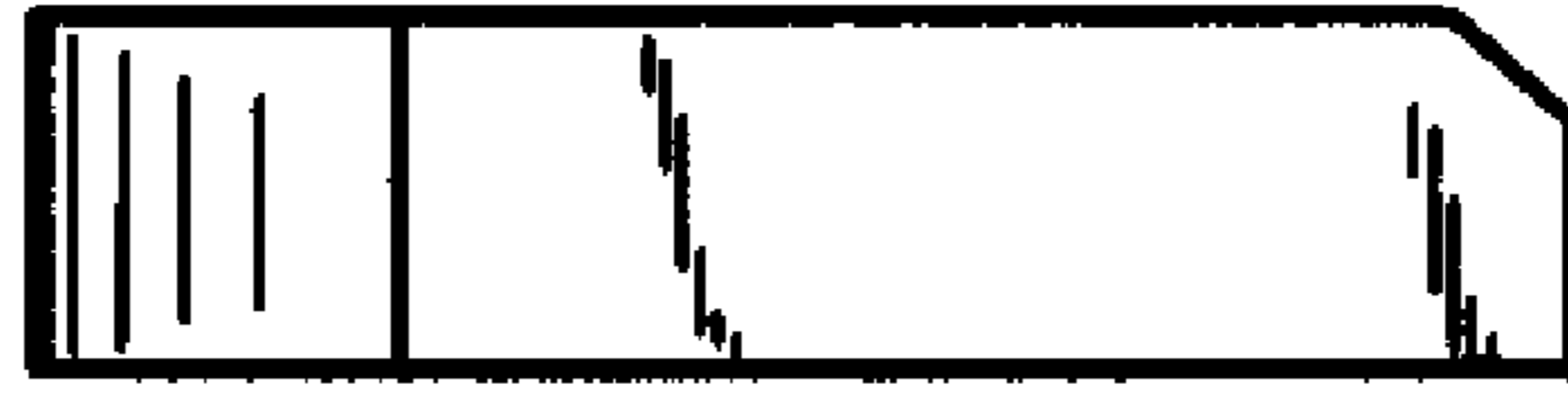


Fig. 11

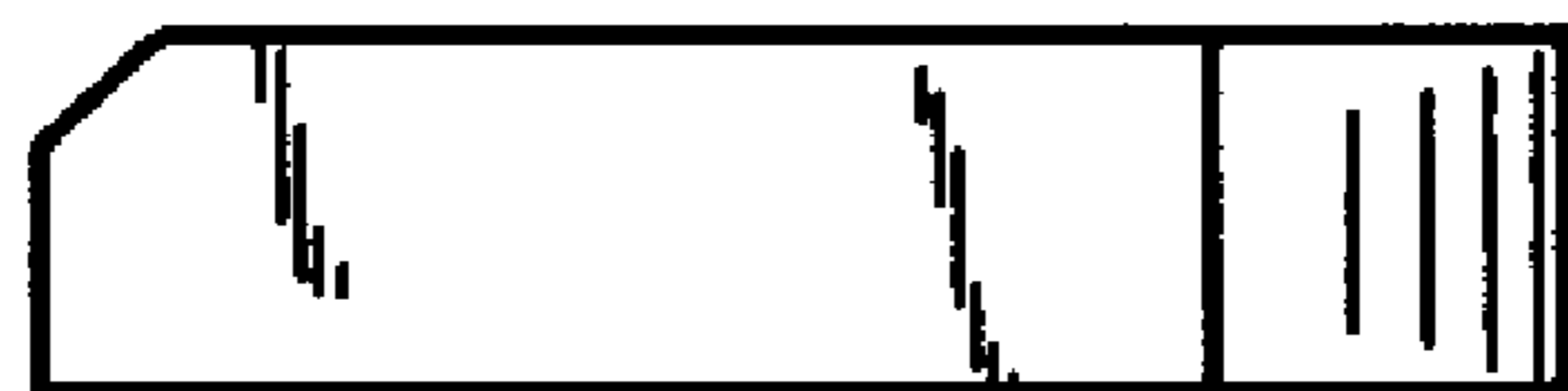


Fig. 12



Fig. 13

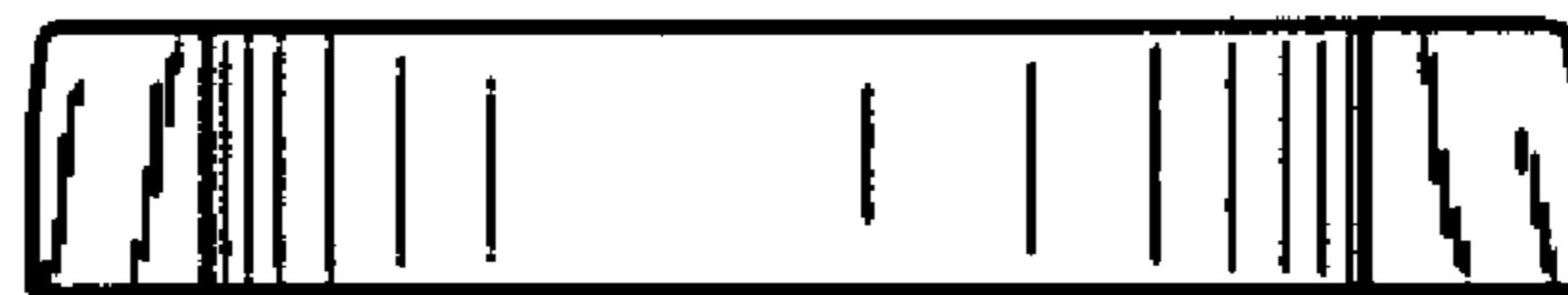


Fig. 14