



US00D530423S

(12) **United States Design Patent** (10) **Patent No.:** **US D530,423 S**  
**Miles et al.** (45) **Date of Patent:** **\*\* Oct. 17, 2006**

(54) <b>INTERVERTEBRAL IMPLANT</b>	5,092,572 A	3/1992	Litwak et al.
	5,133,717 A	7/1992	Chopin
(75) Inventors: <b>Patrick Miles</b> , San Diego, CA (US); <b>Matthew Curran</b> , Carlsbad, CA (US)	5,133,755 A	7/1992	Brekke
	5,171,278 A	12/1992	Pisharodi
(73) Assignee: <b>NuVasive, Inc.</b> , San Diego, CA (US)	5,192,327 A	3/1993	Brantigan
(**) Term: <b>14 Years</b>	5,217,497 A	6/1993	Mehdian
	5,269,785 A	12/1993	Bonutti
(21) Appl. No.: <b>29/227,372</b>	5,284,153 A	2/1994	Raymond et al.
(22) Filed: <b>Apr. 11, 2005</b>	5,290,494 A	3/1994	Coombes et al.
	5,300,076 A	4/1994	Leriche
	5,304,210 A	4/1994	Crook
	5,306,307 A	4/1994	Senter et al.
	5,306,309 A	4/1994	Wagner et al.
	5,322,505 A	6/1994	Krause et al.

**Related U.S. Application Data**

(63) Continuation of application No. 11/093,409, filed on Mar. 29, 2005.

(51) **LOC (8) Cl.** ..... **24-03**

(52) **U.S. Cl.** ..... **D24/155**

(58) **Field of Classification Search** ..... D24/155;  
606/61, 72, 74; 623/17.16, 17.17, 11.11  
See application file for complete search history.

(Continued)

**FOREIGN PATENT DOCUMENTS**

CA	2015507	1/1991
EP	369603	5/1990

(Continued)

**OTHER PUBLICATIONS**

Alleyne, Cargill H., et al., "Current and future approaches to lumbar disc surgery: A literature review", *Medscape Orthopedics & Sports Medicine, 1*, [www.medscape.com/Medscape/OrthoSportsMed/1997/v01.n11/.../mos3057],(1997).

(Continued)

*Primary Examiner*—Charles A. Rademaker  
(74) *Attorney, Agent, or Firm*—Jonathan Spangler

(56) **References Cited**

**U.S. PATENT DOCUMENTS**

3,486,505 A	12/1969	Morrison
3,518,993 A	7/1970	Blake
3,604,487 A	9/1971	Gilbert
3,745,995 A	7/1973	Kraus
3,848,601 A	11/1974	Ma et al.
4,026,304 A	5/1977	Levy
4,026,305 A	5/1977	Brownlee et al.
4,646,738 A	3/1987	Trott
4,657,550 A	4/1987	Daher
4,743,256 A	5/1988	Brantigan
4,781,591 A	11/1988	Allen
4,834,757 A	5/1989	Brantigan
4,877,020 A	10/1989	Vich
4,878,915 A	11/1989	Brantigan
4,932,975 A	6/1990	Main et al.
4,961,740 A	10/1990	Ray et al.
4,962,766 A	10/1990	Herzon
5,026,373 A	6/1991	Ray et al.
5,055,104 A	10/1991	Ray
5,062,845 A	11/1991	Kuslich et al.

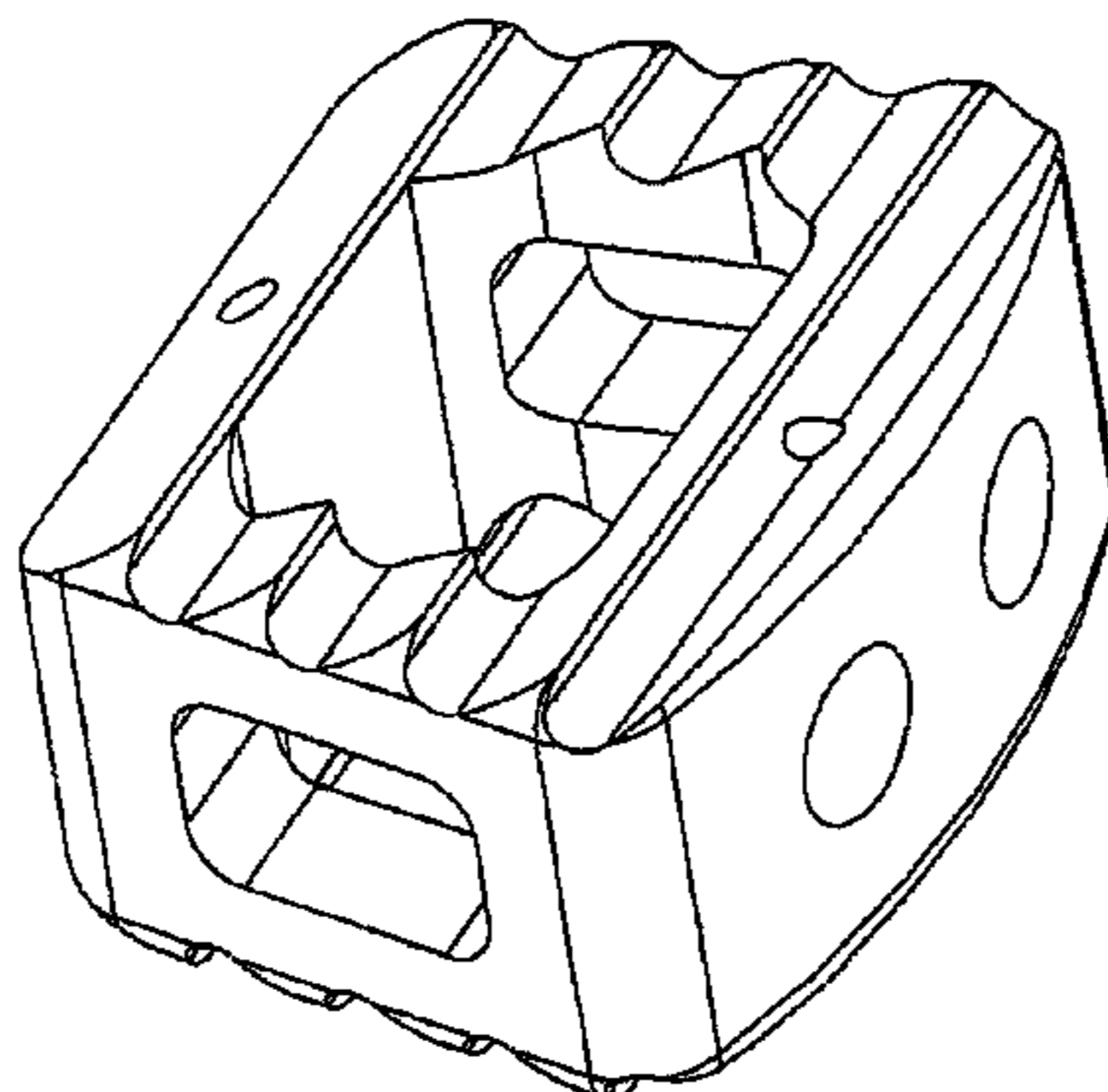
(57) **CLAIM**

The ornamental design for an intervertebral implant, as shown and described.

**DESCRIPTION**

FIG. 1 is a top perspective view of an intervertebral implant showing our new design;  
FIG. 2 is a bottom perspective view thereof;  
FIG. 3 is a side elevation view thereof; and,  
FIG. 4 is a side elevation of the side opposite that shown in FIG. 3.

**1 Claim, 2 Drawing Sheets**



# US D530,423 S

U.S. PATENT DOCUMENTS							
5,334,205	A	8/1994	Cain	5,797,909	A	8/1998	Michelson
5,336,223	A	8/1994	Rogers	5,800,549	A	9/1998	Bao et al.
5,364,400	A	11/1994	Rego, Jr. et al.	5,800,550	A	9/1998	Sertich
5,395,372	A	3/1995	Holt et al.	5,814,084	A	9/1998	Grivas et al.
5,397,363	A	3/1995	Gelbard	5,851,208	A	12/1998	Trott
5,405,391	A	4/1995	Henderson et al.	5,865,845	A	2/1999	Thalgott
5,413,602	A	5/1995	Metz-Stavenhagen	5,865,848	A	2/1999	Baker
5,425,772	A	* 6/1995	Brantigan ..... 623/17.11	5,885,299	A	3/1999	Winslow et al.
5,431,658	A	7/1995	Moskovich	5,888,219	A	3/1999	Bonutti
5,443,514	A	8/1995	Steffee	5,888,224	A	3/1999	Beckers et al.
5,443,515	A	8/1995	Cohen et al.	5,893,890	A	4/1999	Pisharodi
5,445,639	A	8/1995	Kuslich et al.	5,904,719	A	5/1999	Errico et al.
5,454,811	A	10/1995	Huebner	5,910,315	A	6/1999	Stevenson et al.
5,458,638	A	10/1995	Kuslich et al.	5,954,769	A	9/1999	Rosenlicht
5,484,403	A	1/1996	Yoakum et al.	5,968,098	A	10/1999	Winslow
5,489,308	A	2/1996	Kuslich et al.	5,993,474	A	11/1999	Ouchi
5,514,180	A	5/1996	Heggeness et al.	6,004,326	A	12/1999	Castro et al.
5,522,879	A	6/1996	Scopelianos	6,008,433	A	12/1999	Stone
5,522,899	A	6/1996	Michelson	6,015,436	A	1/2000	Schonhoffer
5,524,624	A	6/1996	Tepper et al.	6,033,405	A	3/2000	Winslow et al.
5,527,312	A	6/1996	Ray	6,039,761	A	3/2000	Li et al.
5,534,030	A	7/1996	Navarro et al.	6,042,582	A	3/2000	Ray
5,540,688	A	7/1996	Navas	6,045,580	A	4/2000	Scarborough et al.
5,545,222	A	8/1996	Bonutti	6,048,342	A	4/2000	Zucherman et al.
5,562,736	A	10/1996	Ray et al.	6,059,829	A	* 5/2000	Schlapfer et al. .... 623/17.16
5,565,005	A	10/1996	Erickson et al.	6,063,088	A	5/2000	Winslow
5,571,190	A	11/1996	Ulrich	6,083,225	A	7/2000	Winslow et al.
5,571,192	A	11/1996	Schonhoffer	6,096,080	A	8/2000	Nicholson et al.
5,593,409	A	1/1997	Michelson	6,102,948	A	8/2000	Brosnahan, III
5,609,636	A	3/1997	Kohrs et al.	6,120,506	A	9/2000	Kohrs et al.
5,611,800	A	3/1997	Davis et al.	6,132,472	A	10/2000	Bonutti
5,611,810	A	3/1997	Arnold et al.	6,159,211	A	12/2000	Boriani et al.
5,632,747	A	5/1997	Scarborough et al.	6,159,215	A	12/2000	Urbahns et al.
5,645,598	A	7/1997	Brosnahan et al.	6,193,756	B1	2/2001	Studer et al.
5,653,761	A	8/1997	Pisharodi	6,200,347	B1	3/2001	Anderson
5,653,762	A	8/1997	Pisharodi	6,224,607	B1	5/2001	Michelson
5,658,336	A	8/1997	Pisharodi	6,224,631	B1	5/2001	Kohrs
5,658,337	A	8/1997	Kohrs et al.	6,241,769	B1	6/2001	Nicholson et al.
5,662,710	A	9/1997	Bonutti	6,241,771	B1	6/2001	Gresser et al.
5,665,122	A	9/1997	Kambin	6,251,140	B1	6/2001	Marino et al.
5,669,909	A	9/1997	Zdeblick et al.	6,258,125	B1	7/2001	Paul et al.
5,676,703	A	10/1997	Gelbard	6,277,149	B1	8/2001	Boyle et al.
5,683,394	A	11/1997	Rinner	6,319,257	B1	11/2001	Carignan et al.
5,683,400	A	11/1997	McGuire	6,371,989	B1	4/2002	Chauvin et al.
5,683,464	A	11/1997	Wagner et al.	6,375,655	B1	* 4/2002	Zdeblick et al. .... 623/17.11
5,690,629	A	11/1997	Asher et al.	6,383,221	B1	5/2002	Scarborough et al.
5,700,264	A	12/1997	Zucherman et al.	6,409,766	B1	* 6/2002	Brett ..... 623/17.16
5,700,291	A	12/1997	Kuslich et al.	6,432,140	B1	* 8/2002	Lin ..... 623/17.16
5,700,292	A	12/1997	Margulies	6,440,142	B1	8/2002	Ralph et al.
5,702,449	A	12/1997	McKay	6,442,814	B1	9/2002	Landry et al.
5,702,451	A	12/1997	Biedermann et al.	6,454,806	B1	9/2002	Cohen et al.
5,702,453	A	12/1997	Rabbe et al.	6,468,311	B1	* 10/2002	Boyd et al. .... 623/17.16
5,702,454	A	12/1997	Baumgartner	6,491,724	B1	* 12/2002	Ferree ..... 623/17.11
5,702,455	A	12/1997	Saggar	6,527,773	B1	3/2003	Lin et al.
5,703,451	A	12/1997	Yamamichi et al.	D472,633	S	* 4/2003	Anderson ..... D24/155
5,707,373	A	1/1998	Sevrain et al.	D472,634	S	* 4/2003	Anderson ..... D24/155
5,711,957	A	1/1998	Patat et al.	D473,650	S	* 4/2003	Anderson ..... D24/155
5,716,415	A	2/1998	Steffee	6,547,823	B1	4/2003	Scarborough et al.
5,720,748	A	2/1998	Kuslich et al.	6,595,998	B1	7/2003	Johnson et al.
5,720,751	A	2/1998	Jackson	6,613,091	B1	* 9/2003	Zdeblick et al. .... 623/17.16
5,728,159	A	3/1998	Stroever et al.	6,626,905	B1	9/2003	Schmiel et al.
5,741,261	A	4/1998	Moskovitz et al.	6,635,086	B1	10/2003	Lin
5,755,797	A	5/1998	Baumgartner	6,648,895	B1	11/2003	Burkus et al.
5,766,252	A	6/1998	Henry et al.	6,676,703	B1	* 1/2004	Biscup ..... 623/17.16
5,772,661	A	6/1998	Michelson	6,743,255	B1	* 6/2004	Ferree ..... 623/17.11
5,775,331	A	7/1998	Raymond et al.	6,746,484	B1	* 6/2004	Liu et al. .... 623/17.16
5,779,642	A	7/1998	Nightengale	6,755,841	B1	6/2004	Fraser et al.
5,782,830	A	7/1998	Farris	6,824,564	B1	* 11/2004	Crozet ..... 623/17.11
5,782,919	A	7/1998	Zdeblick et al.	6,964,687	B1	* 1/2005	Bernard ..... 623/17.16
5,785,710	A	7/1998	Michelson	D503,801	S	* 4/2005	Jackson ..... D24/155
				6,942,698	B1	* 9/2005	Jackson ..... 623/17.16

6,955,691 B1 \* 10/2005 Chae et al. .... 623/17.16  
 2002/0058950 A1 5/2002 Winterbottom et al.  
 2003/0105528 A1 6/2003 Shimp et al.

WO WO-98/14142 4/1998  
 WO WO-98/17208 4/1998  
 WO WO-98/25539 6/1998  
 WO WO-99/08627 2/1999  
 WO WO-99/38461 8/1999  
 WO WO-00/45712 8/2000  
 WO WO-00/45713 8/2000  
 WO WO-01/41681 6/2001  
 WO WO-01/49333 7/2001

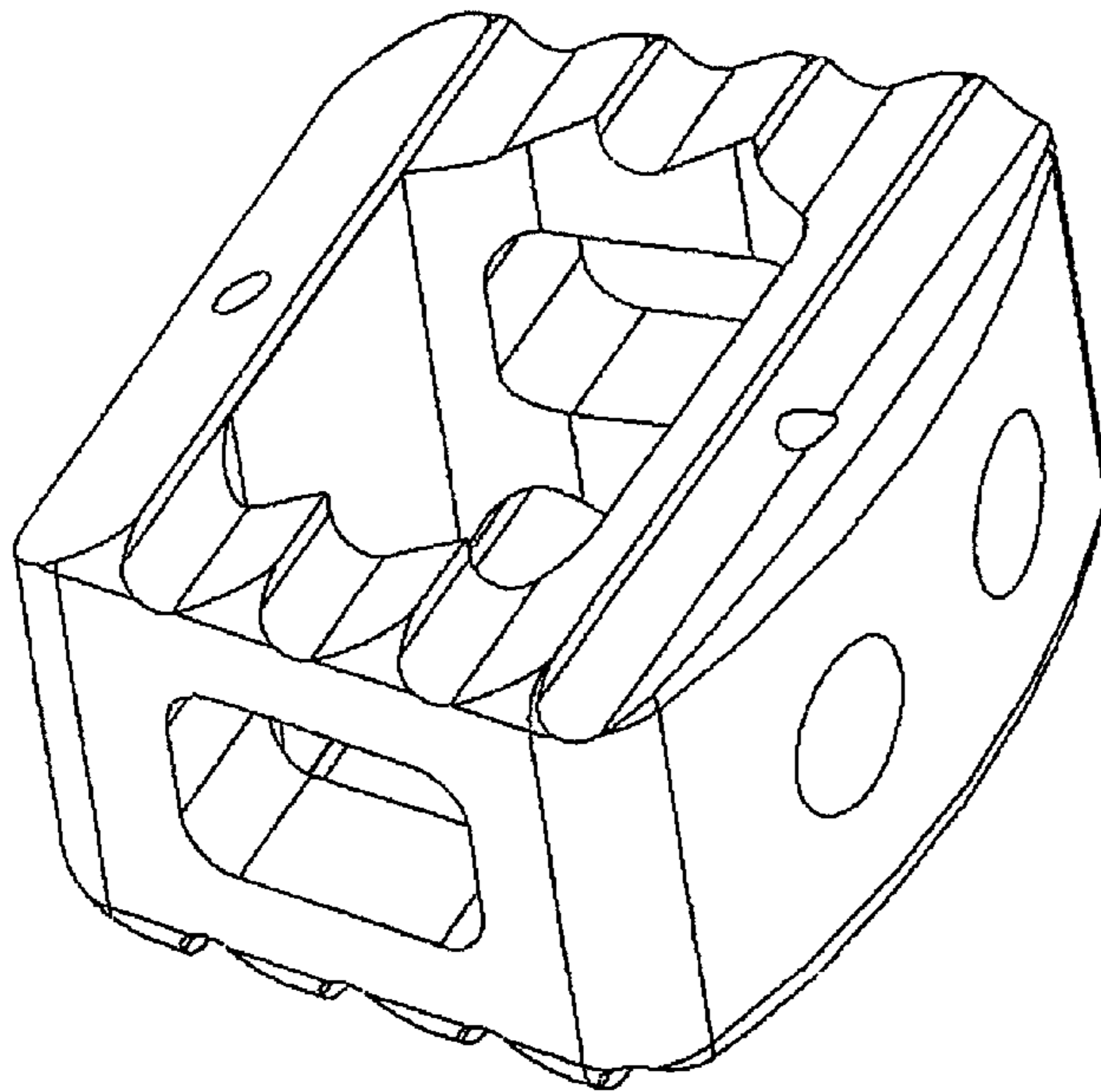
FOREIGN PATENT DOCUMENTS

EP 517030 5/1992  
 EP 667127 8/1995  
 EP 706876 4/1996  
 EP 716840 6/1996  
 EP 737448 10/1996  
 EP 796593 9/1997  
 EP 880938 2/1998  
 EP 809974 4/1998  
 EP 809975 4/1998  
 EP 811356 4/1998  
 WO WO-91/06261 5/1991  
 WO WO-94/04100 3/1994  
 WO WO-94/10928 5/1994  
 WO WO-95/01810 1/1995  
 WO WO-96/08205 3/1996  
 WO WO-96/17564 3/1996  
 WO WO-96/41582 12/1996  
 WO WO-97/20513 6/1997  
 WO WO-97/33525 9/1997  
 WO WO-97/37620 10/1997  
 WO WO-98/09586 3/1998

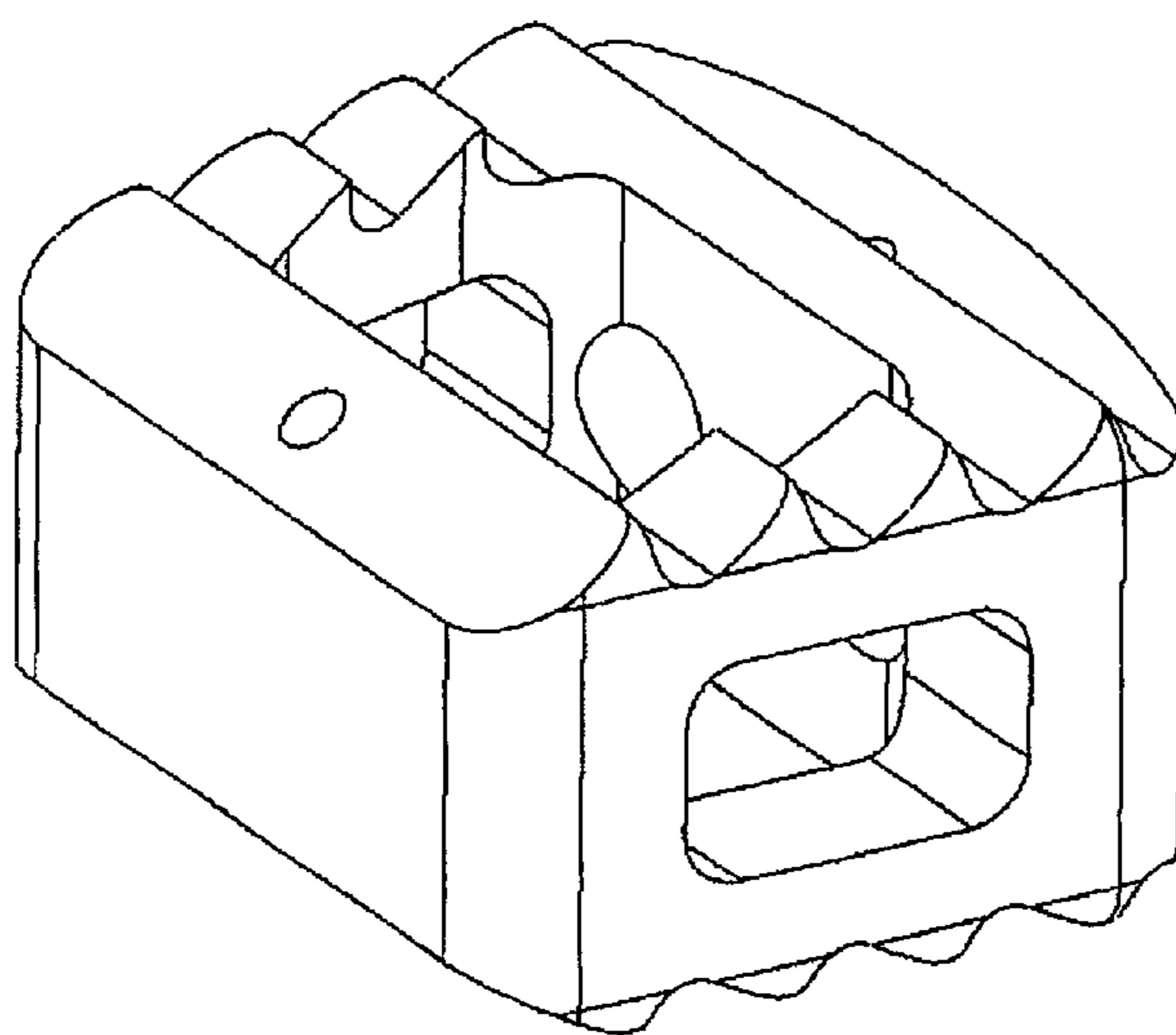
OTHER PUBLICATIONS

Benini, et al., "Undercutting decompression and posterior fusion with translaminar facet screw fixation in degenerative lumbar spinal stenosis: Technique and results", *Neuro-Orthopedics*, (1995),159-172.  
 Kambin, et al., "History and current status of percutaneous arthroscopic disc surgery", *Spine*, 21, (1996),57S-61S.  
 Stein, et al., "Percutaneous facet joint fusion: Preliminary experience", *Journal of Vascular and Interventional Radiology*, 4, (1993),69-74.  
 Vamvanij, et al., "Surgical treatment of internal disc disruption: An outcome study of four fusion techniques", *Journal of Spinal Disorders*, 4, (1998),375-382.

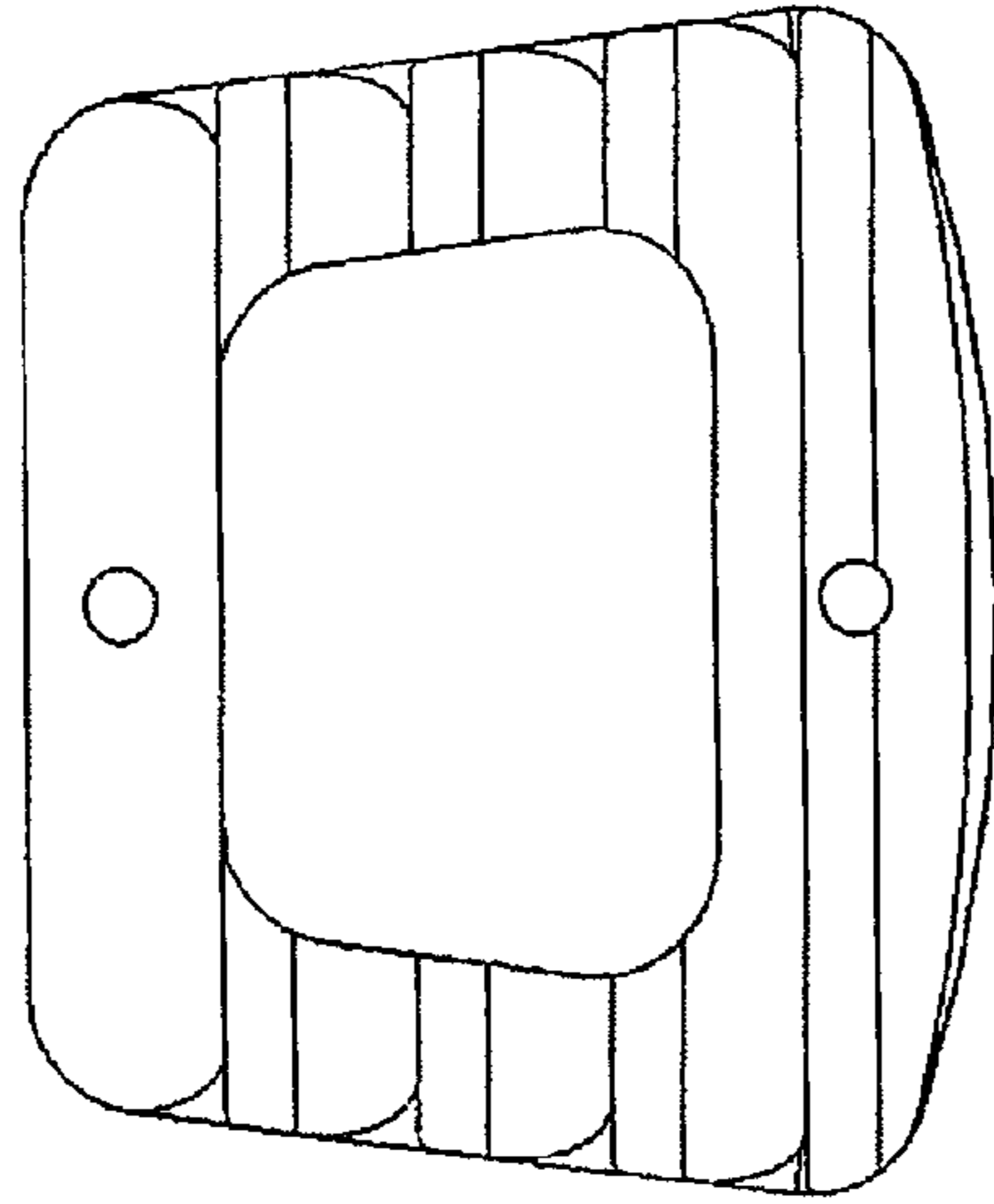
\* cited by examiner



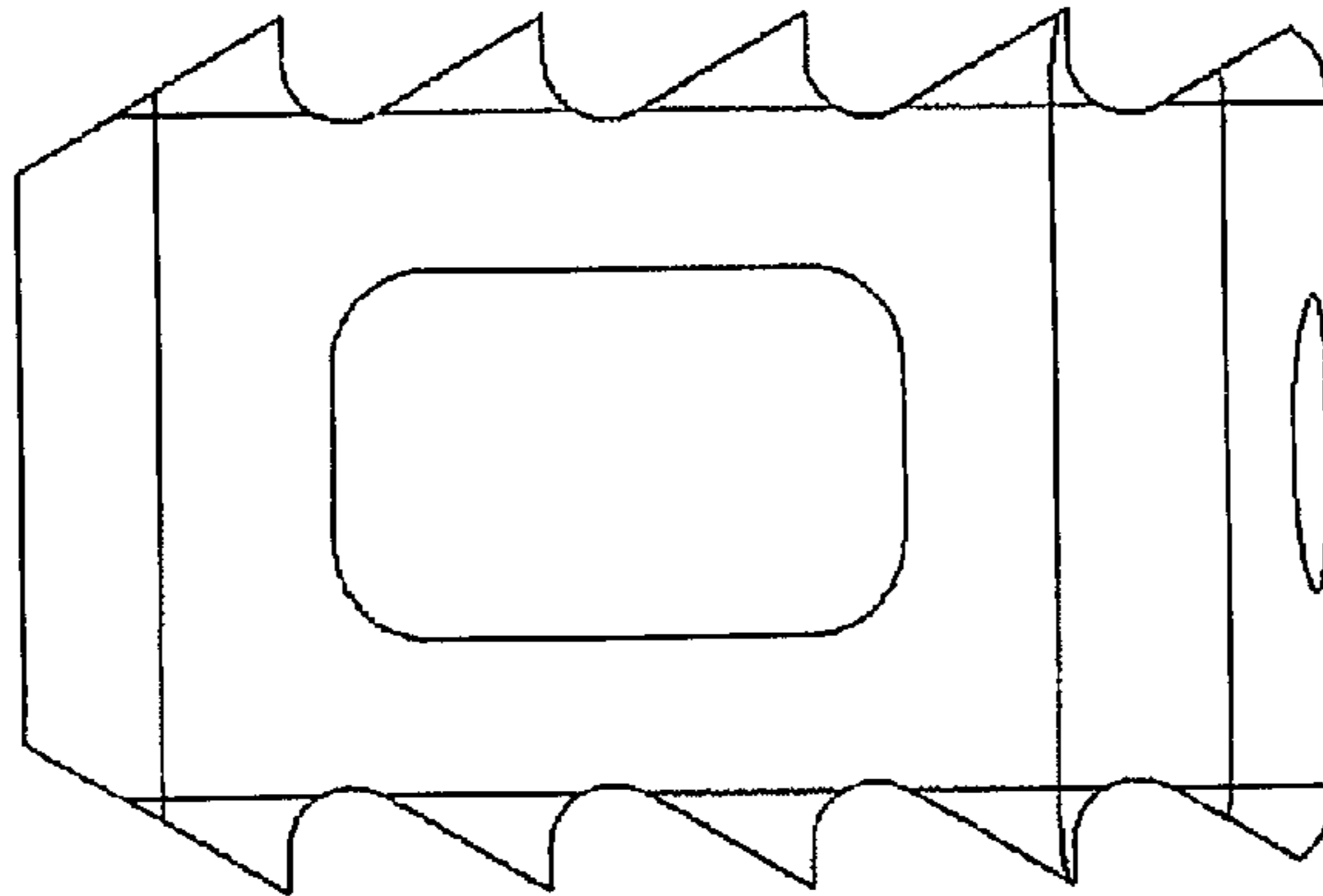
*Fig. 1*



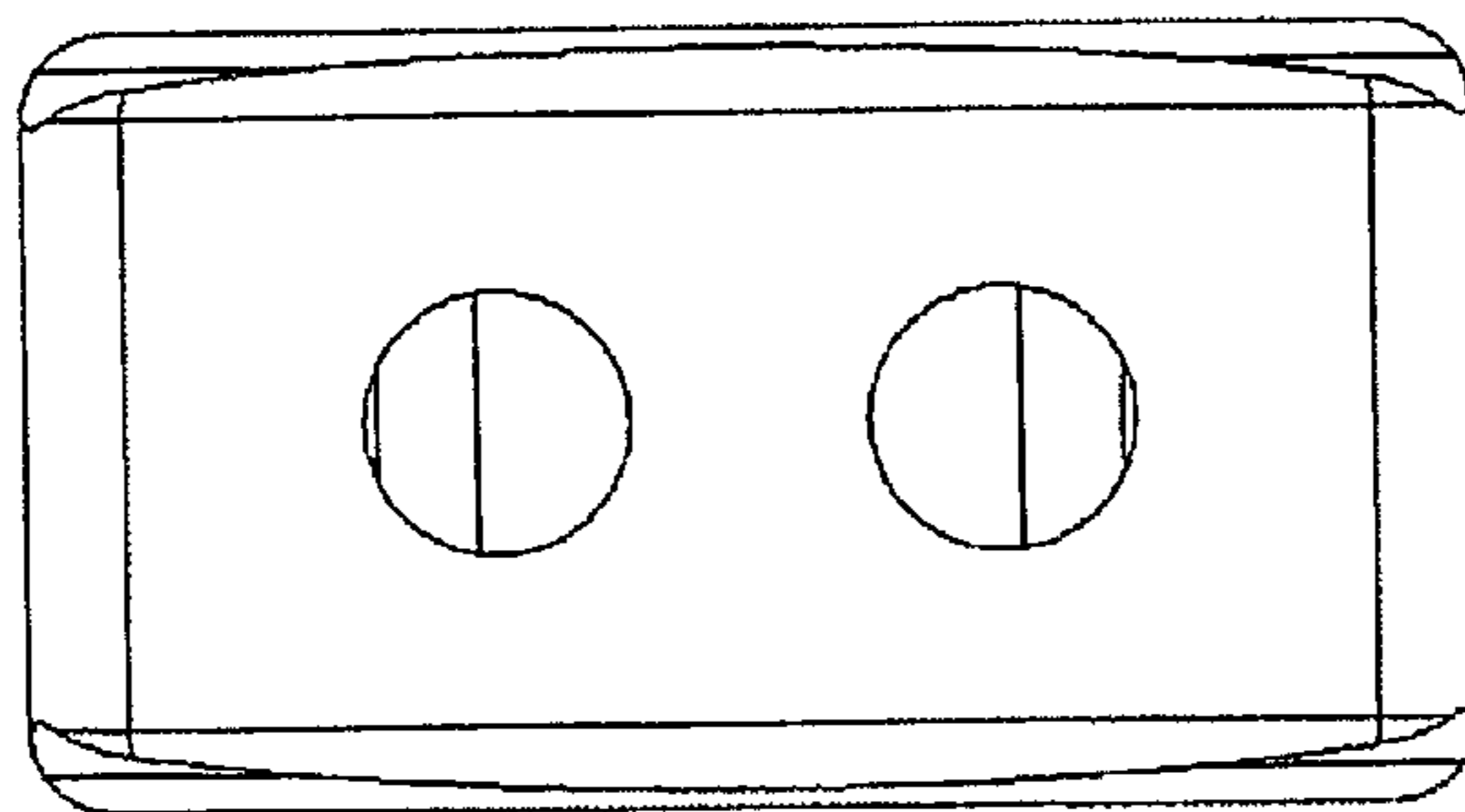
*Fig. 2*



*Fig. 3*



*Fig. 4*



*Fig. 5*