



US00D530421S

(12) **United States Design Patent**
Topper et al.

(10) **Patent No.:** **US D530,421 S**

(45) **Date of Patent:** **** *Oct. 17, 2006**

(54) **SUTURE NEEDLE**

(75) Inventors: **Brad Topper**, Santa Clarita, CA (US);
Brett Bannerman, Canyon Country,
CA (US); **Tom Weisel**, Ventura, CA
(US); **J. Terry Benson**, West Hills, CA
(US)

(73) Assignee: **Depuy Mitek, Inc.**, New Brunswick,
NJ (US)

(*) Notice: This patent is subject to a terminal dis-
claimer.

(**) Term: **14 Years**

(21) Appl. No.: **29/236,655**

(22) Filed: **Aug. 18, 2005**

Related U.S. Application Data

(63) Continuation of application No. 10/255,523, filed on Sep.
25, 2002.

(51) **LOC (8) Cl.** **24-02**

(52) **U.S. Cl.** **D24/145; D24/146**

(58) **Field of Classification Search** D24/145,
D24/146; 606/144, 145, 146, 147, 148, 272,
606/223; 223/102; 112/224

See application file for complete search history.

(56) **References Cited**

U.S. PATENT DOCUMENTS

2,738,790 A 3/1956 Todt Sr. et al.
3,372,477 A * 3/1968 Hoppe 606/138
3,842,840 A 10/1974 Schweizer

3,901,244 A 8/1975 Schweizer
4,890,615 A 1/1990 Caspari
5,059,201 A * 10/1991 Asnis 606/144
5,222,977 A 6/1993 Esser
5,312,422 A 5/1994 Trott
5,474,565 A * 12/1995 Trott 606/144
D368,776 S * 4/1996 Toy et al. D24/145
5,522,820 A 6/1996 Caspari
5,573,542 A * 11/1996 Stevens 606/144
5,908,428 A 6/1999 Scirica
5,980,538 A 11/1999 Fuchs
6,254,620 B1 * 7/2001 Koh et al. 606/167
6,770,084 B1 8/2004 Bain et al.
6,984,237 B1 * 1/2006 Hatch et al. 606/144

* cited by examiner

Primary Examiner—Ian Simmons

Assistant Examiner—Christopher Lee

(74) *Attorney, Agent, or Firm*—Myers Dawes Andras &
Sherman LLP; Joseph C. Andras

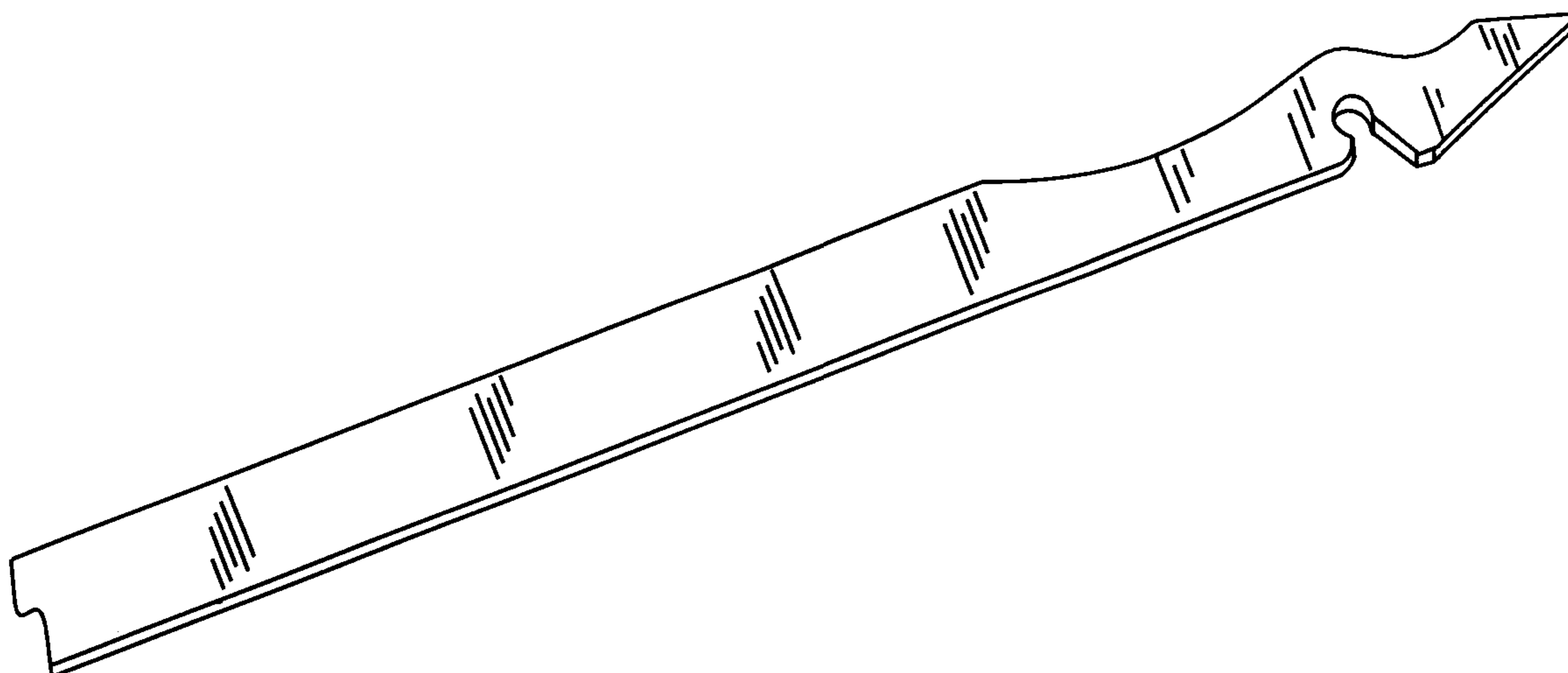
(57) **CLAIM**

The ornamental design for a suture needle, as shown and
described.

DESCRIPTION

FIG. 1 is a perspective view of the suture needle of the
present invention;
FIG. 2 is a right side elevational view thereof;
FIG. 3 is a top plan view thereof;
FIG. 4 is a back end view thereof;
FIG. 5 is a front end view thereof;
FIG. 6 is a left side elevational view thereof; and,
FIG. 7 is a bottom plan view of the suture needle of the
present invention.

1 Claim, 1 Drawing Sheet



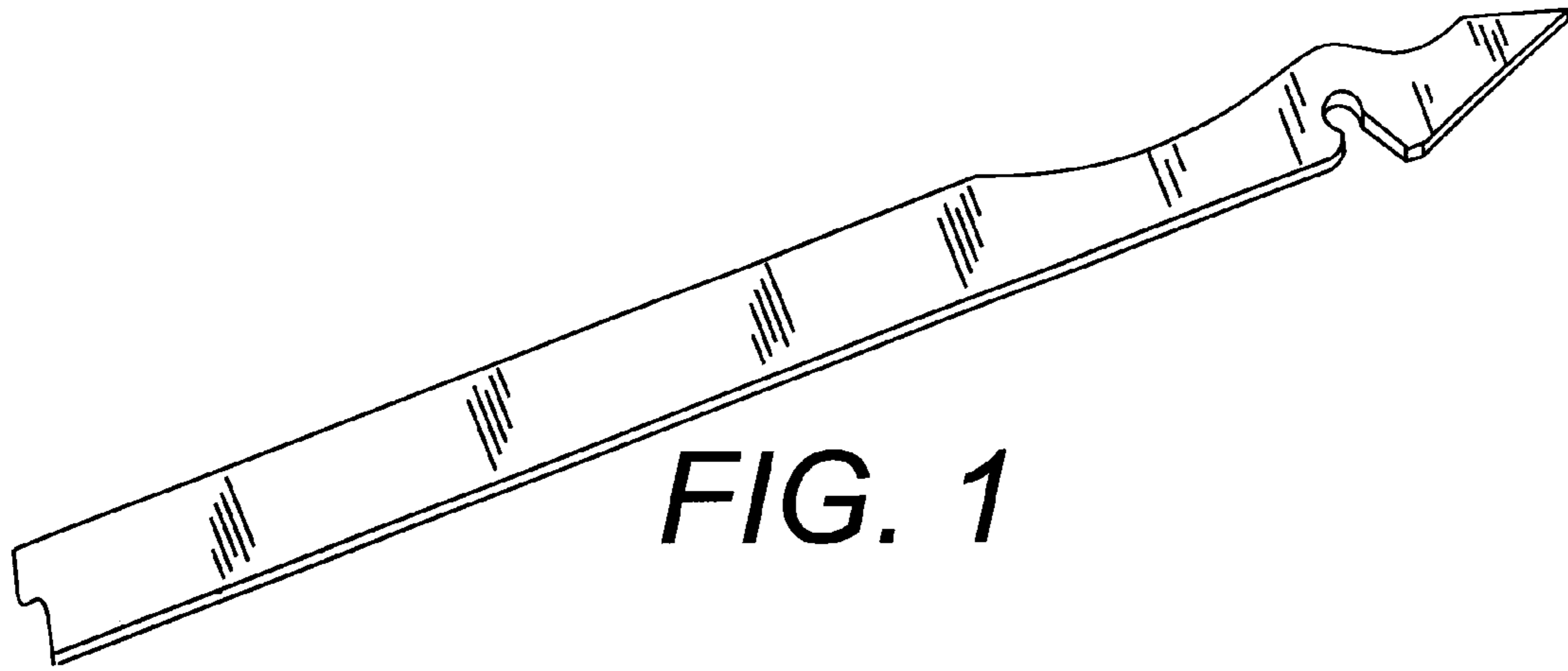


FIG. 1

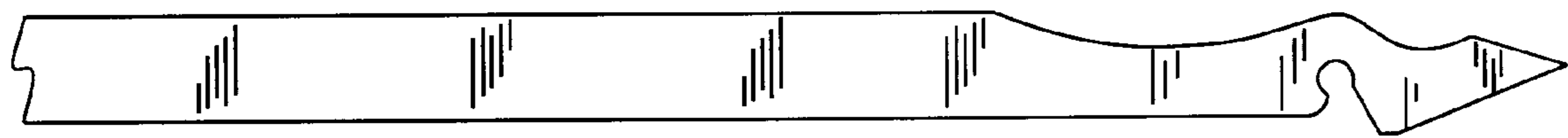


FIG. 2

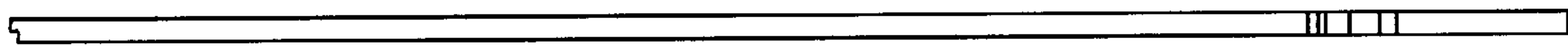


FIG. 3



FIG. 4



FIG. 5

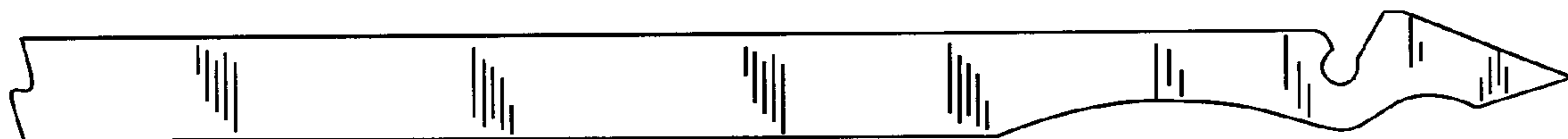


FIG. 6



FIG. 7