



US00D530416S

(12) **United States Design Patent**  
**Shurtleff**

(10) **Patent No.:** **US D530,416 S**

(45) **Date of Patent:** **\*\* Oct. 17, 2006**

(54) **COMBINED CEILING FAN MOTOR HOUSING AND LIGHT KIT**

*Primary Examiner*—Lisa Lichtenstein  
(74) *Attorney, Agent, or Firm*—Troxell Law Office PLLC

(75) **Inventor:** **Mark Shurtleff**, Long Beach, CA (US)

(57) **CLAIM**

(73) **Assignee:** **Air Cool Industrial Co., Ltd.**,  
Taichung Hsien (TW)

The ornamental design for a combined ceiling fan motor housing and light kit, as shown and described.

(\*\*) **Term:** **14 Years**

**DESCRIPTION**

(21) **Appl. No.:** **29/241,833**

FIG. 1 is a perspective view of a combined ceiling fan motor housing and light kit showing my new design; FIG. 2 is a front end elevation view thereof; FIG. 3 is a rear end elevation view thereof; FIG. 4 is a left side elevation view thereof; FIG. 5 is a right side elevation view thereof; FIG. 6 is a top plan view thereof; and, FIG. 7 is a bottom plan view thereof; and, FIG. 8 is a front end view of the combined ceiling fan motor housing and light kit in accordance with my design, shown in its environment.

(22) **Filed:** **Nov. 2, 2005**

(51) **LOC (8) Cl.** ..... **23-04**

(52) **U.S. Cl.** ..... **D23/411**

(58) **Field of Classification Search** ..... D23/411,  
D23/413, 377, 379, 385; 416/5; D26/59,  
D26/51, 72, 80-86, 73

See application file for complete search history.

(56) **References Cited**

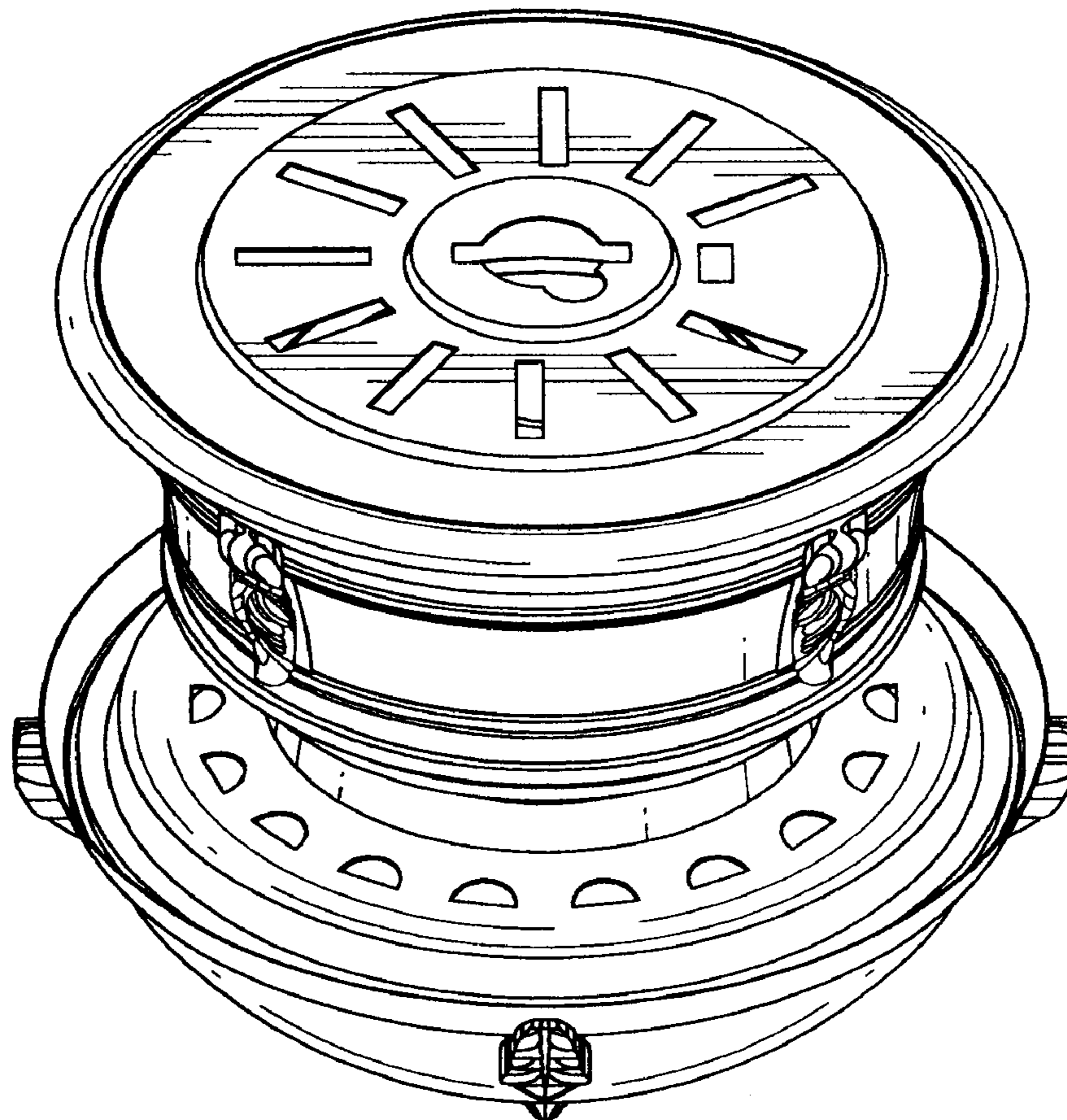
**U.S. PATENT DOCUMENTS**

D453,581 S	*	2/2002	Orozco	.....	D26/84
D504,537 S	*	4/2005	Graham	.....	D23/411
D510,623 S	*	10/2005	Tai	.....	D23/411

The broken lines in the views show environmental features, which are for illustrative purposes only and form no part of the claimed design.

\* cited by examiner

**1 Claim, 5 Drawing Sheets**



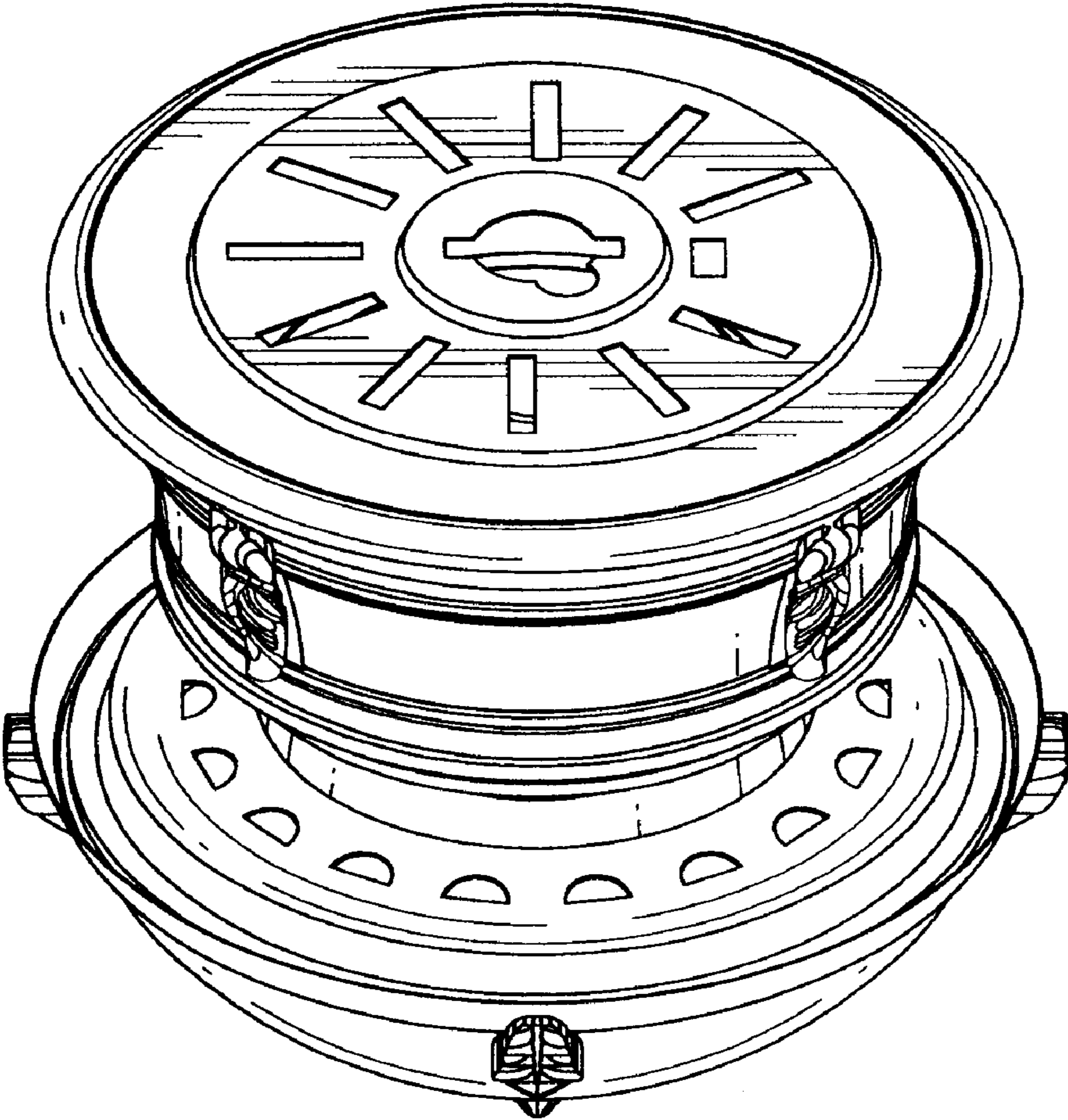


FIG. 1

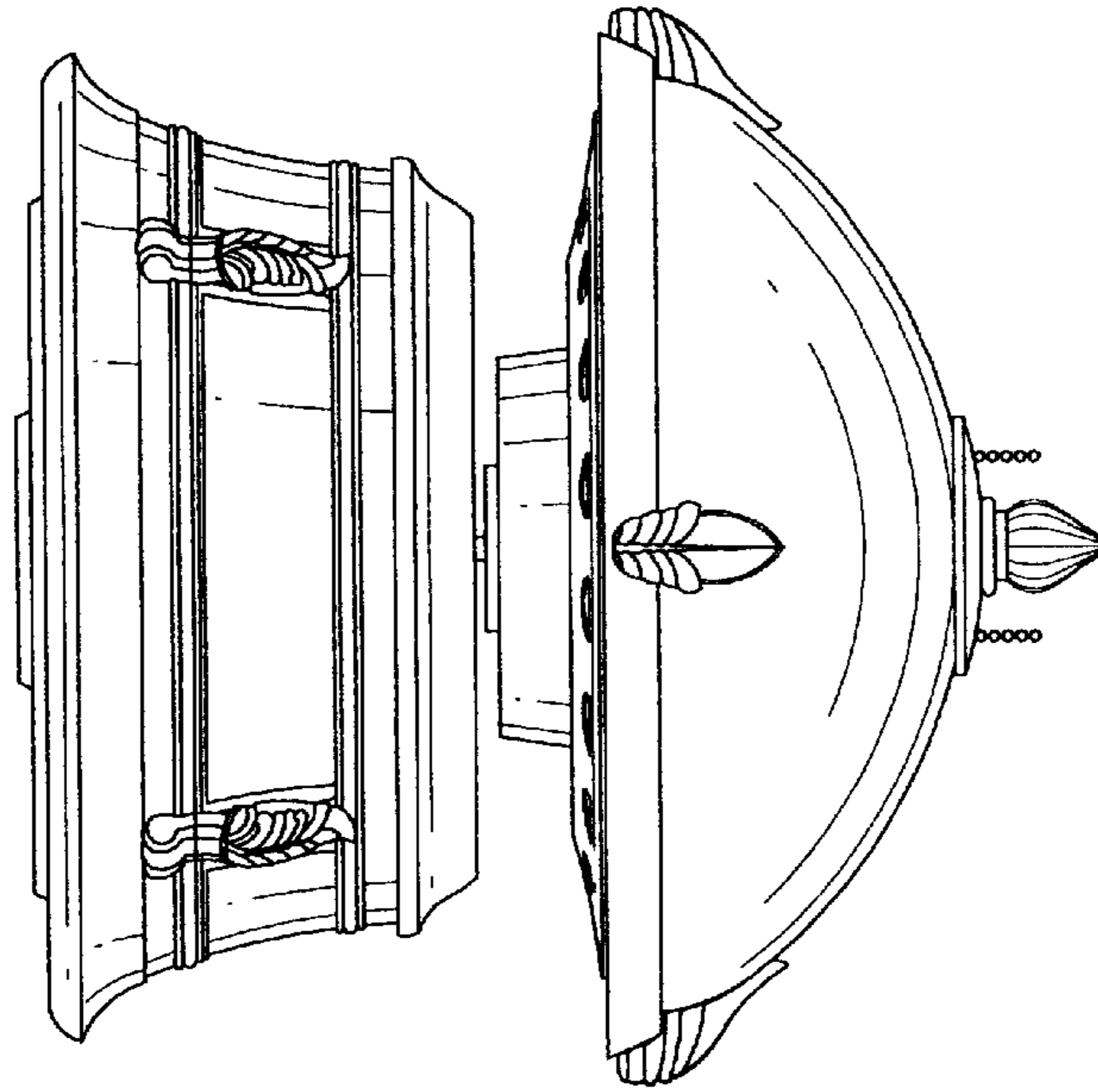


FIG. 3

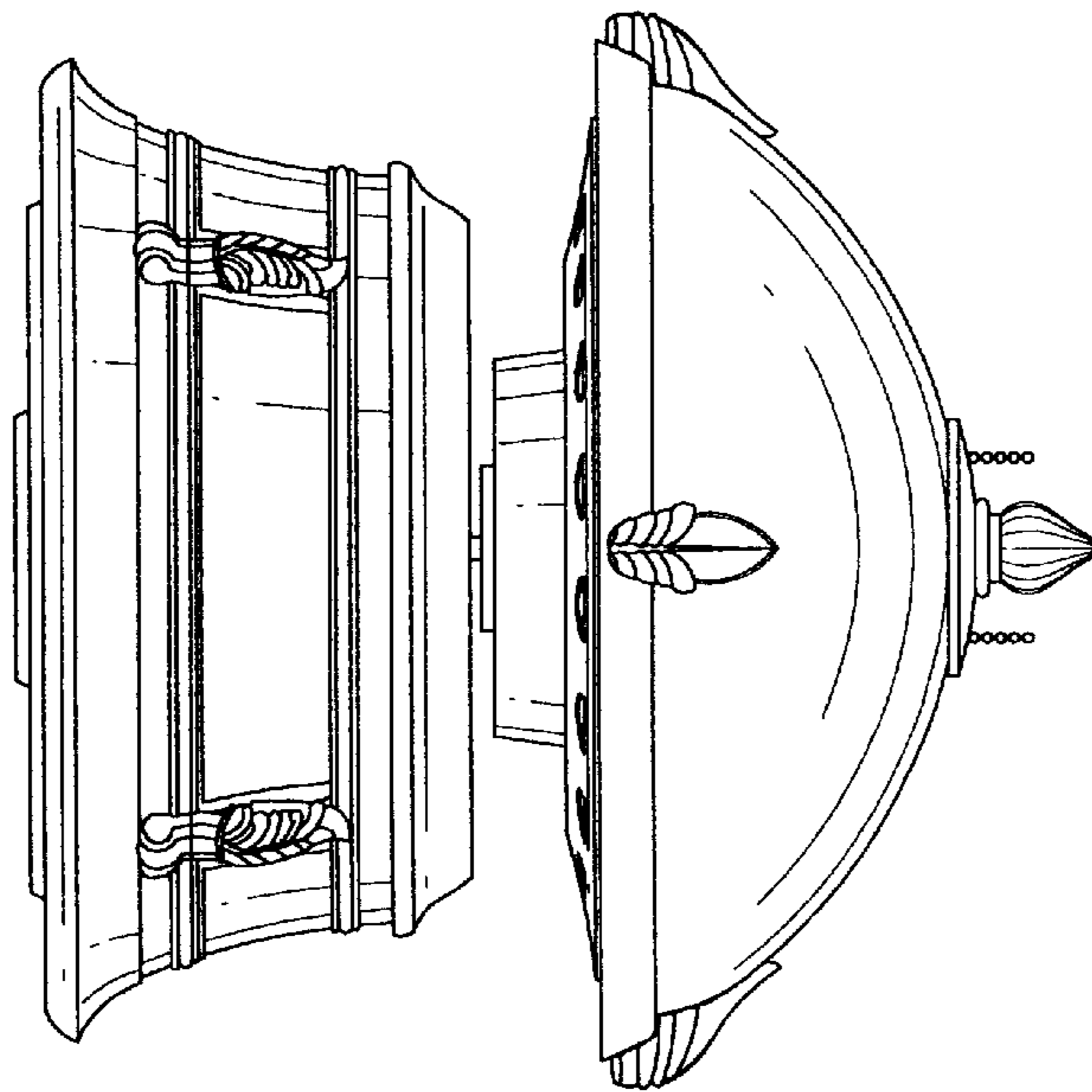


FIG. 2

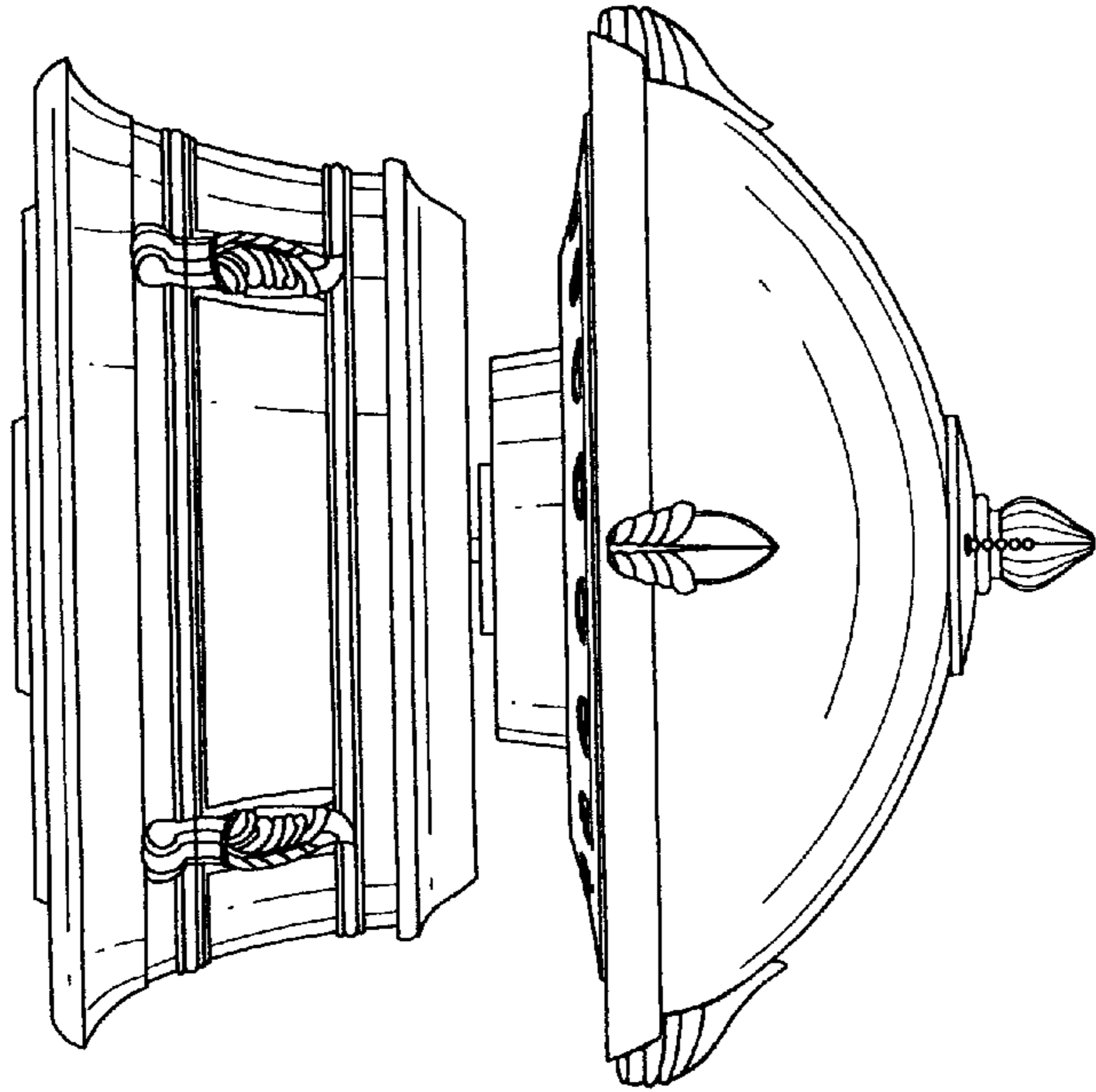


FIG. 5

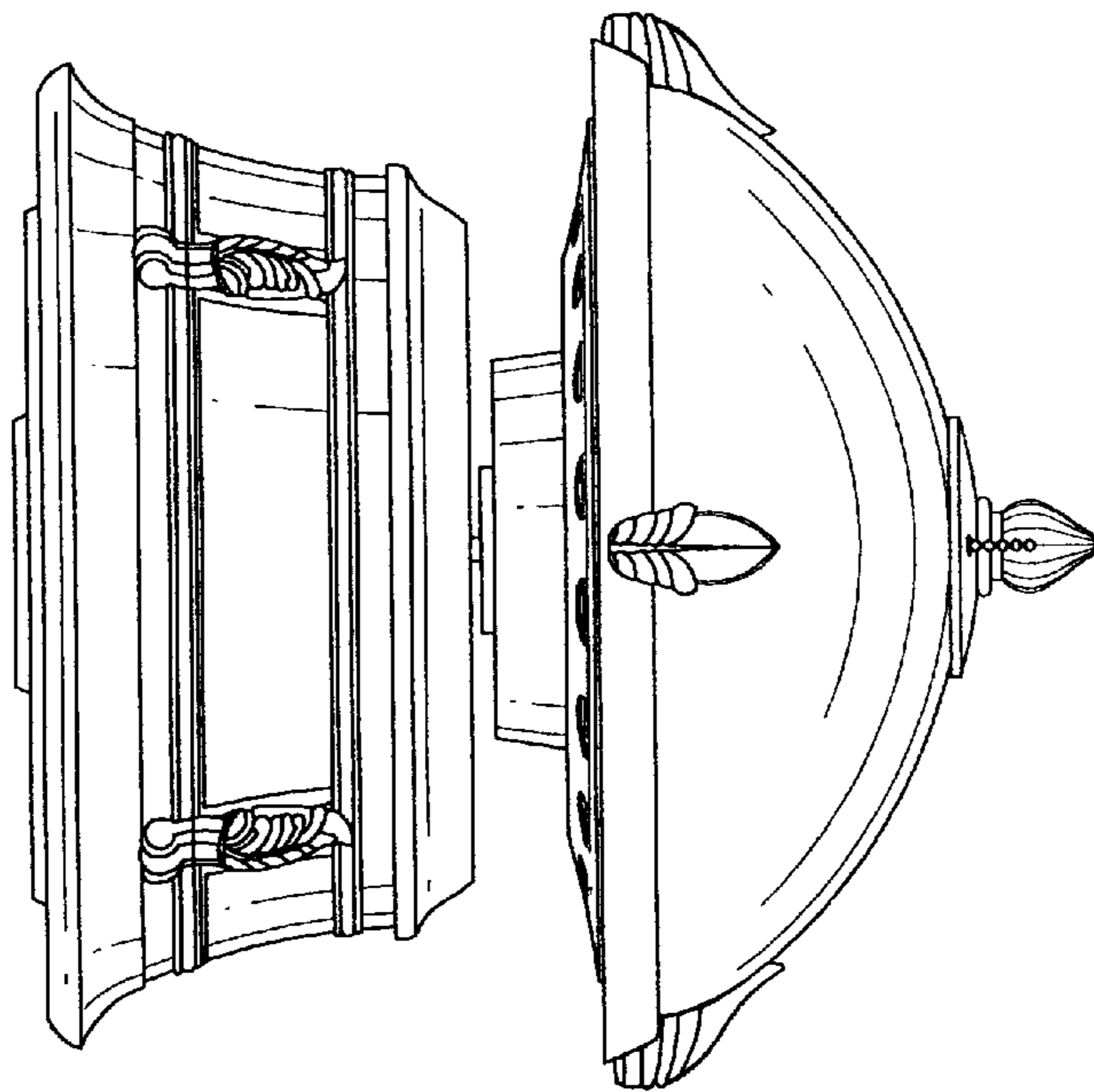


FIG. 4

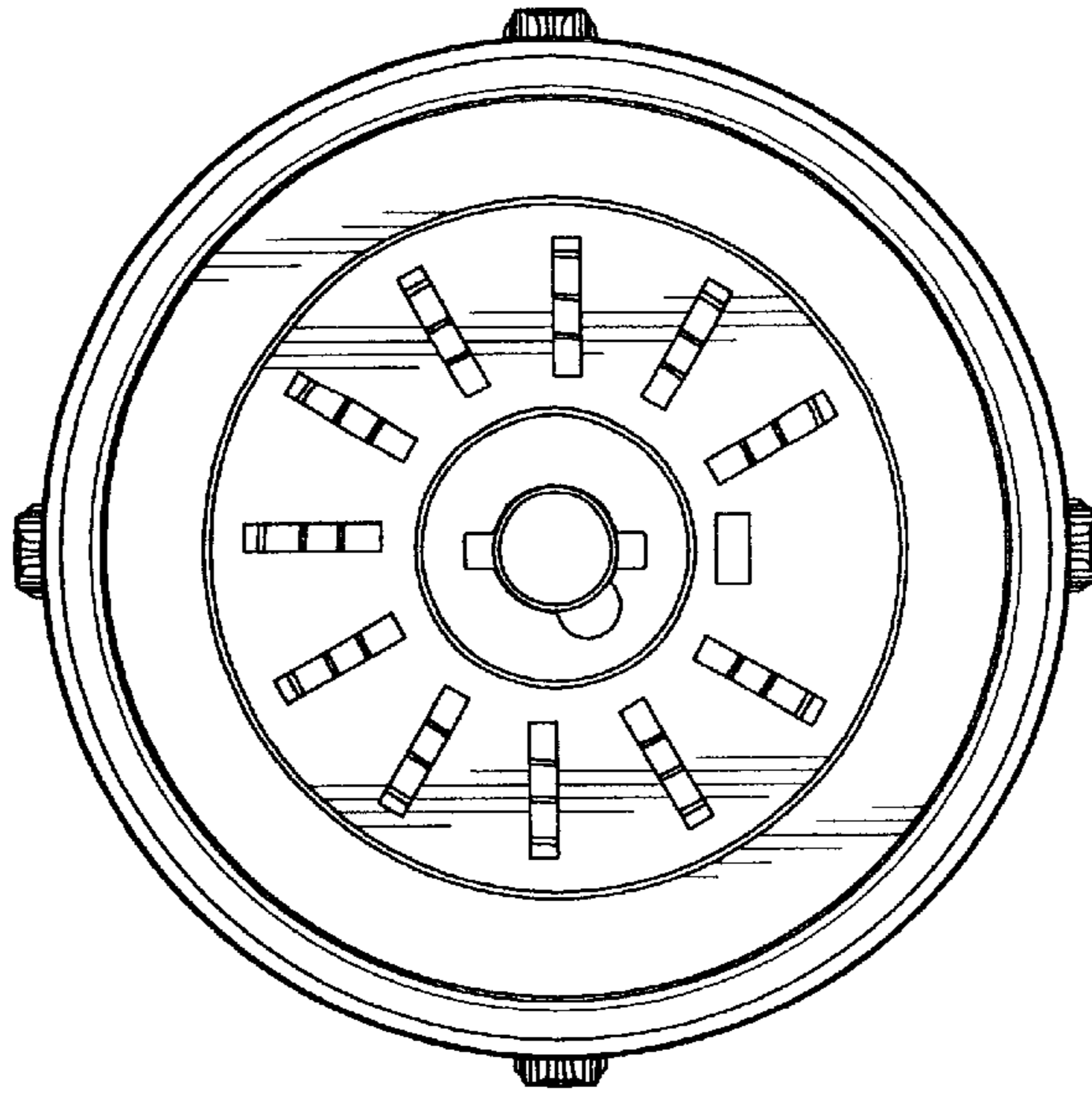


FIG. 6

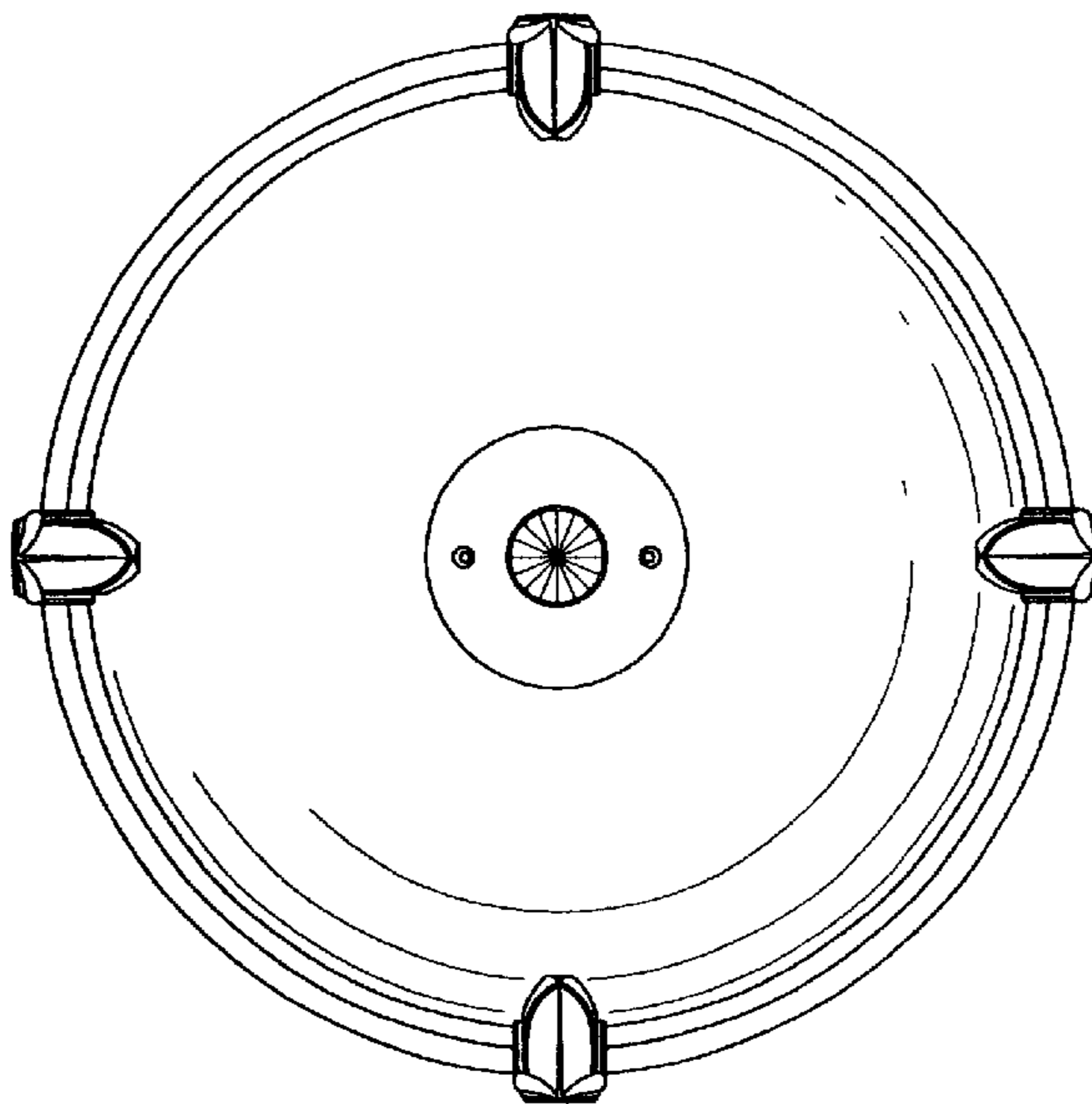


FIG. 7

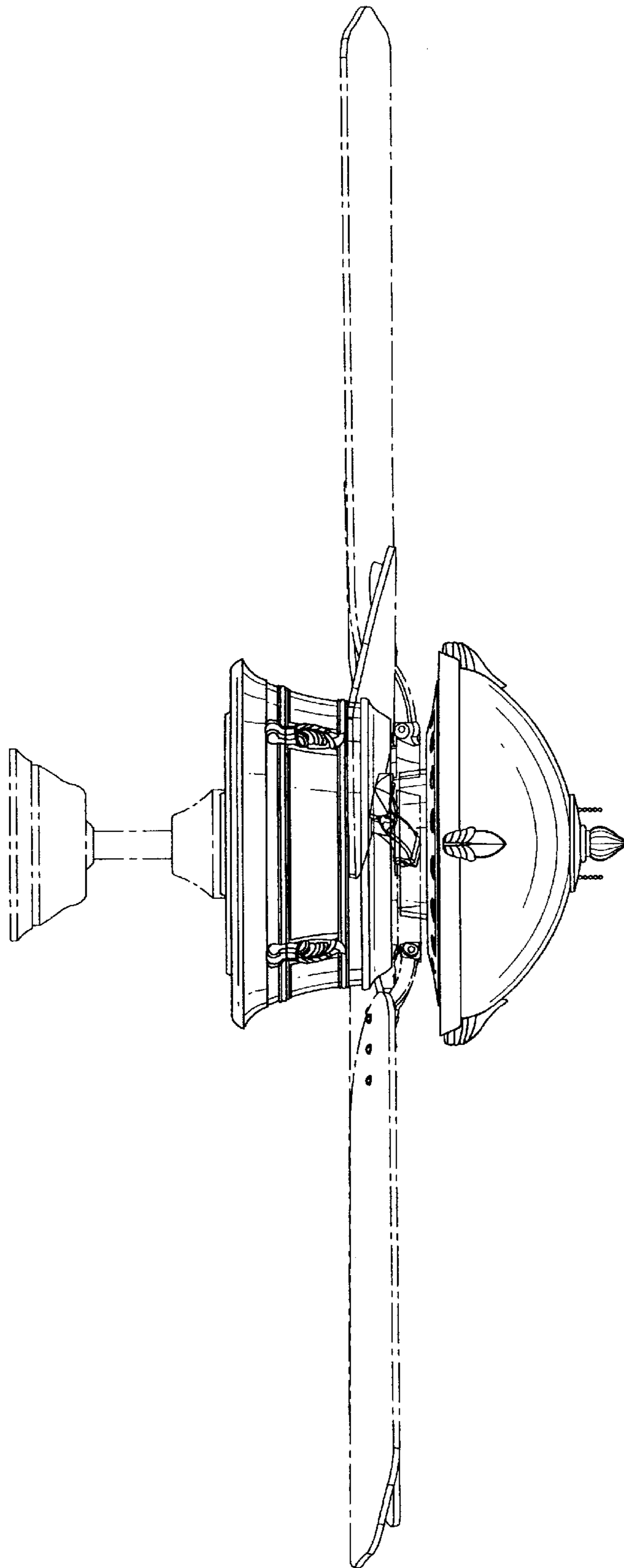


FIG. 8