



US00D530415S

(12) **United States Design Patent**
Hidalgo

(10) **Patent No.:** **US D530,415 S**
(45) **Date of Patent:** **** Oct. 17, 2006**

(54) **CEILING FAN**

(75) Inventor: **Rolando Hidalgo**, Orange, CA (US)

(73) Assignee: **Minka Lighting, Inc.**, Corona, CA (US)

(**) Term: **14 Years**

(21) Appl. No.: **29/237,269**

(22) Filed: **Aug. 29, 2005**

(51) **LOC (8) Cl.** **23-04**

(52) **U.S. Cl.** **D23/377; 23/379; 23/385**

(58) **Field of Classification Search** D23/411,
D23/413, 377, 379, 385; 416/5

See application file for complete search history.

(56) **References Cited**

U.S. PATENT DOCUMENTS

D404,479 S	*	1/1999	Yang	D23/377
D414,258 S		9/1999	Yao		
D428,129 S	*	7/2000	Huang	D23/411
D434,490 S	*	11/2000	Tsuji et al.	D23/411
D513,315 S		12/2005	Hidalgo		

OTHER PUBLICATIONS

U.S. Appl. No. 29/237,251.

U.S. Appl. No. 29/237,272.

U.S. Appl. No. 29/237,284.

U.S. Appl. No. 29/237,270.

Minka Lighting, Inc.; MinkaAire 2005 catalog; Jan. 2005; p. 26; Minka Lighting, Inc.; U.S.A.

Minka Lighting, Inc.; MinkaAire 2005 catalog; Jan. 2005; p. 27; Minka Lighting, Inc.; U.S.A.

Casablanca Internet Catalog; Santorini; Model #SANM-45; printed from www.hansenwholesale.com on Apr. 27, 2005.

Disclosure from Prior Publication; Jul. 2000.

Disclosure from Prior Publication; Jul. 2000.

Ellington Internet Catalog; The Agean; Model #ELAGN52ABZ5LKRCR3; printed from www.fanwork-soutlet.com on Apr. 27, 2005.

Ellington Internet Catalog; The Neoclassic; Model #ELNCL52NC5LKRC; printed from www.fanworksoutlet.com on Apr. 27, 2005.

Hampton Bay Ceiling Fans; Hampton Bay Ceiling Fans 2004, vol. 2 catalog; p. 12; Homer TLC, Inc.; U.S.A.

Hampton Bay Ceiling Fans; Hampton Bay Ceiling Fans 2004, vol. 2 catalog; p. 13; Homer TLC, Inc.; U.S.A.

Hampton Bay Ceiling Fans; Hampton Bay Ceiling Fans 2004, vol. 2 catalog; p. 4; Homer TLC, Inc.; U.S.A.

Hampton Bay Ceiling Fans; Hampton Bay Ceiling Fans 2004, vol. 2 catalog; p. 3; Homer TLC, Inc. U.S.A.

Hunter Internet Catalog; Aventine; Model #HU-28441; printed from www.hansenwholesale.com on Apr. 27, 2005.

Monte Carlo Internet Catalog; St. Ives; Model #MC5S160AF; printed from www.hansenwholesale.com on Apr. 21, 2005.

* cited by examiner

Primary Examiner—Lisa Lichtenstein

(74) *Attorney, Agent, or Firm*—Baker & McKenzie LLP

(57) **CLAIM**

The ornamental design for a ceiling fan, as shown and described.

DESCRIPTION

FIG. 1 is a perspective view from below of a ceiling fan in accordance with my design;

FIG. 2 is a reduced top plan view of the ceiling fan in accordance with my design;

FIG. 3 is a reduced bottom plan view of the ceiling fan in accordance with my design;

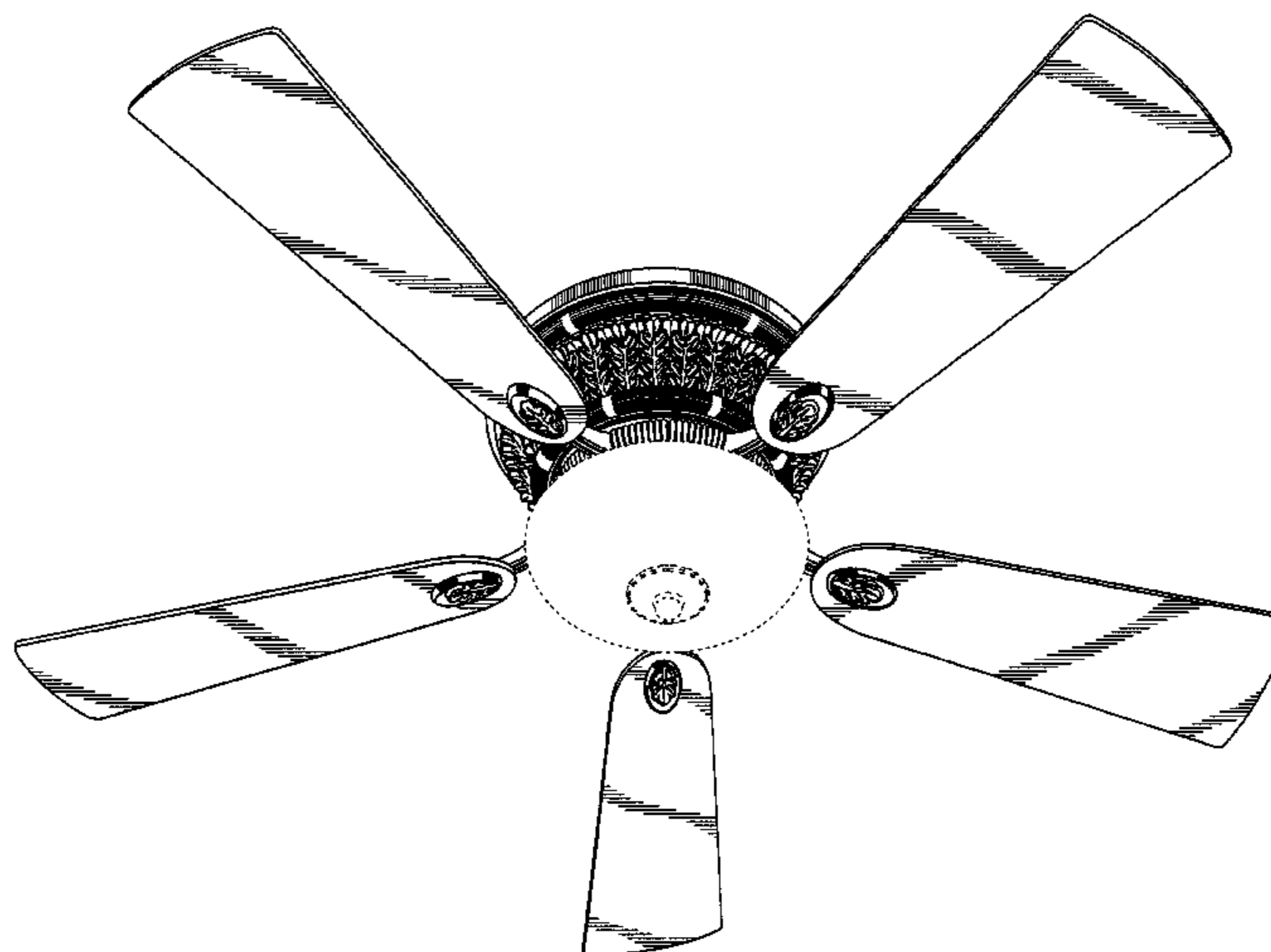
FIG. 4 is a front elevation view of the ceiling fan in accordance with my design, the opposite side being a mirror image of that shown; and,

FIG. 5 is a side elevation view of the ceiling fan in accordance with my design, the opposite side being a mirror image of that shown.

FIGS. 4 and 5 are identical except for the positioning of the fan blades.

The broken lines showing environmental structure are for illustrative purposes and form no part of the claimed invention.

1 Claim, 5 Drawing Sheets



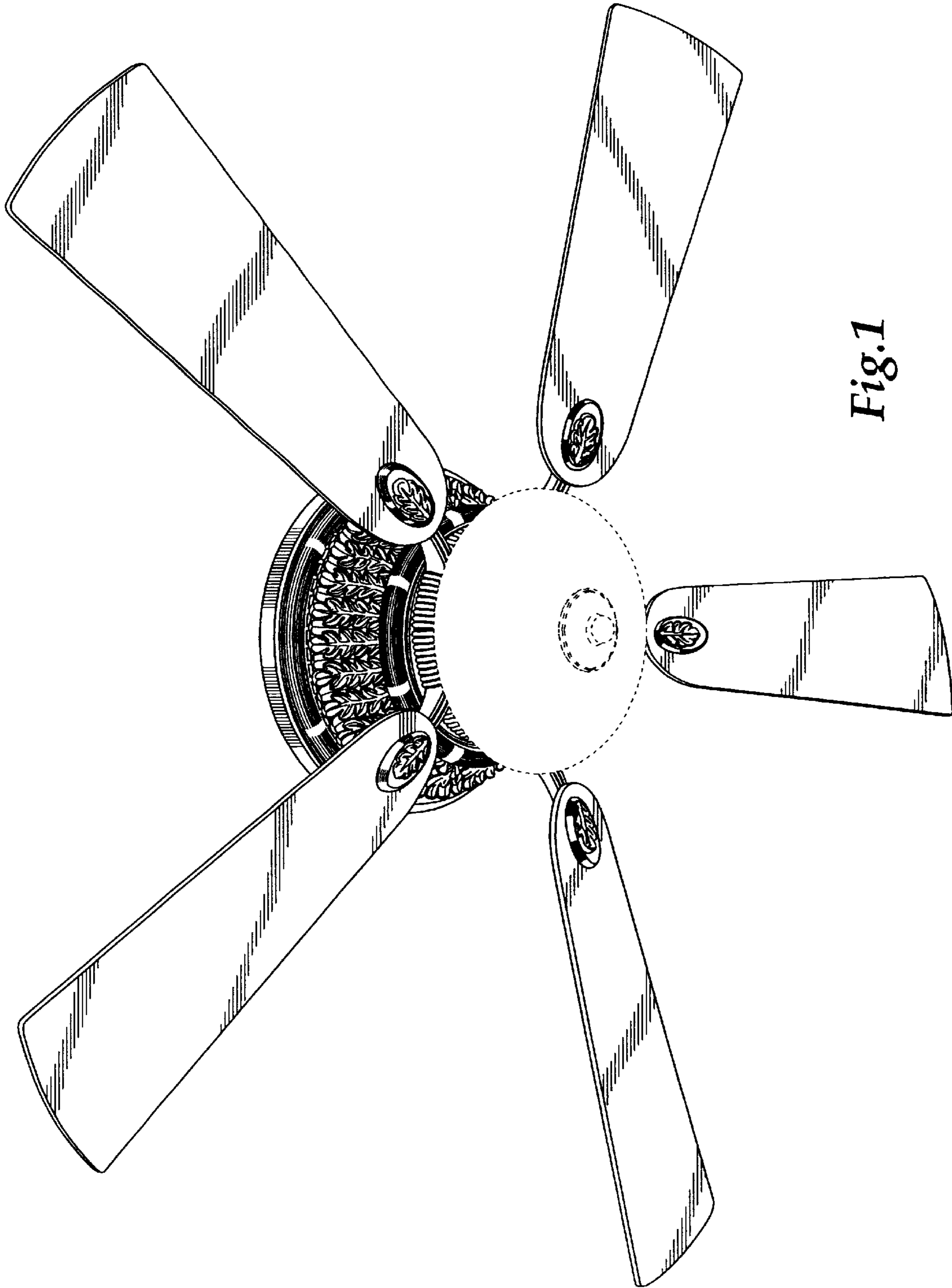


Fig. 1

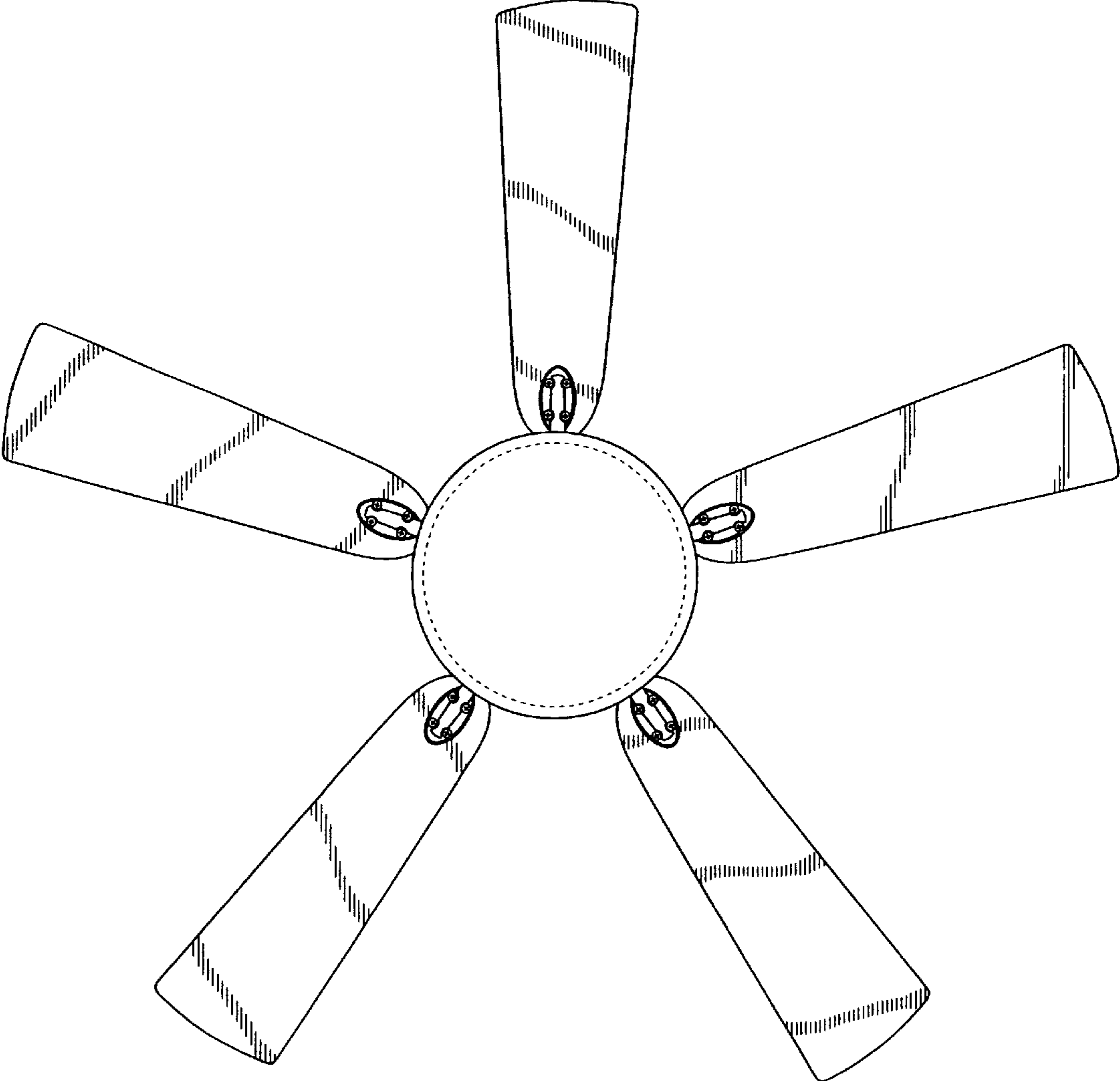


Fig.2

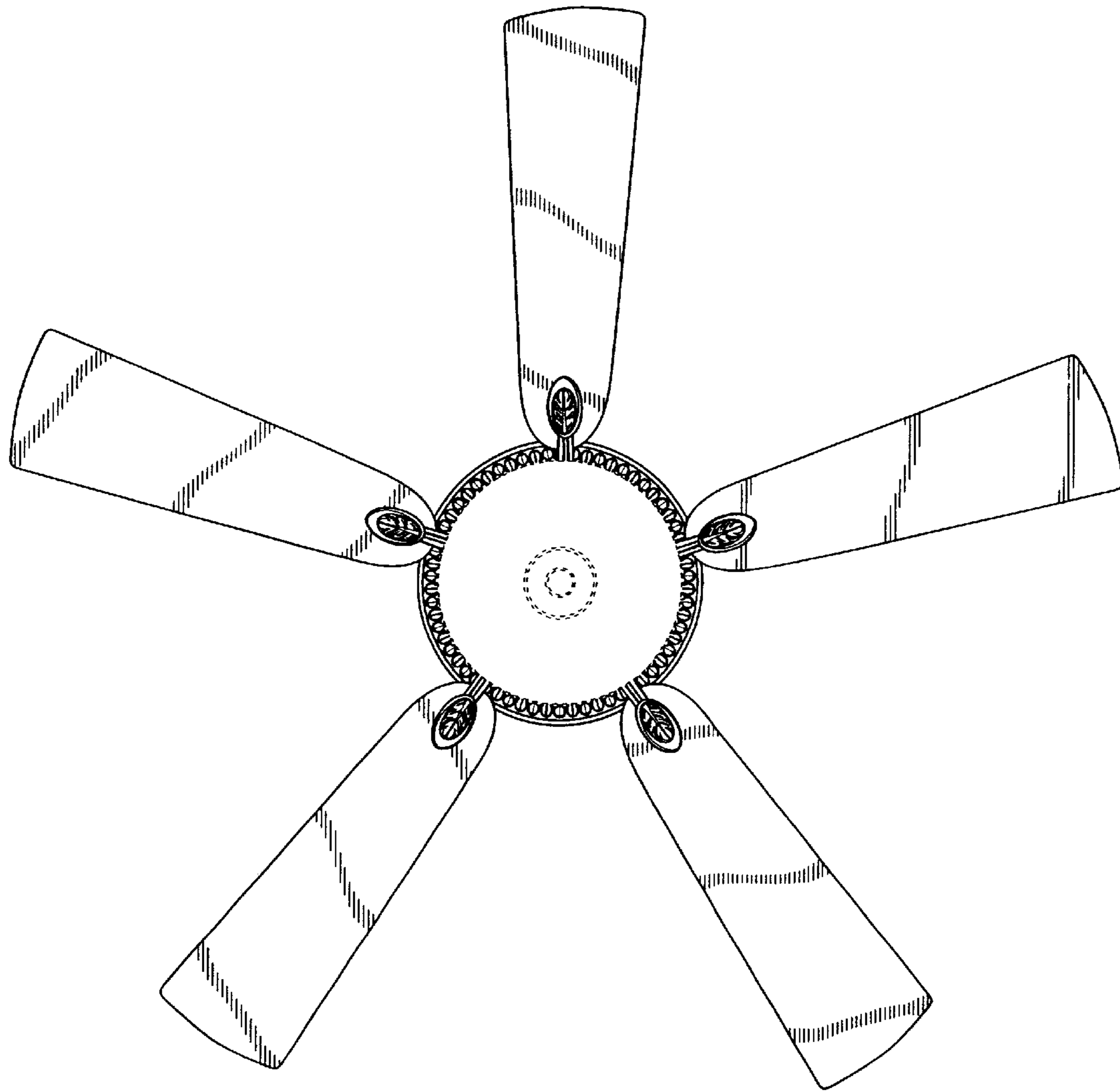


Fig.3

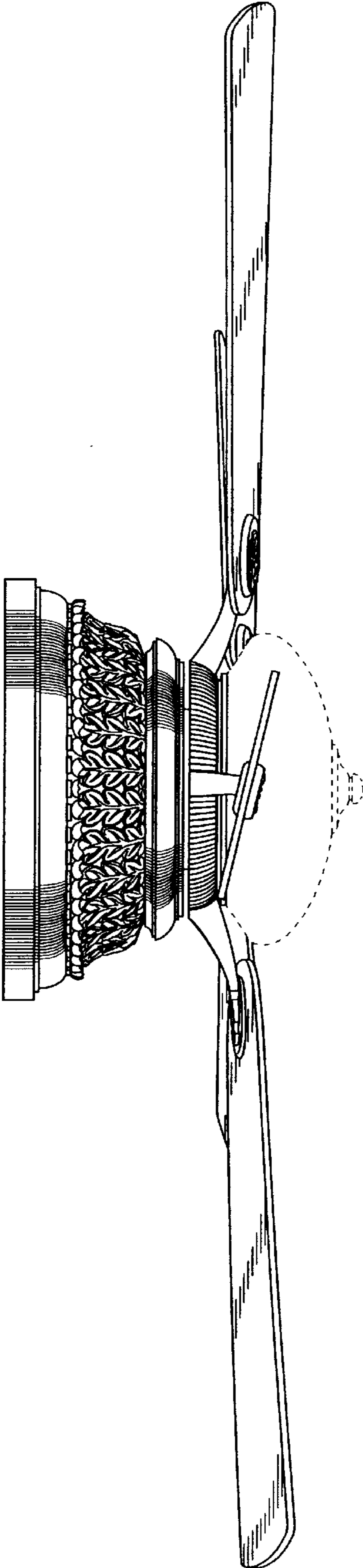


Fig.4

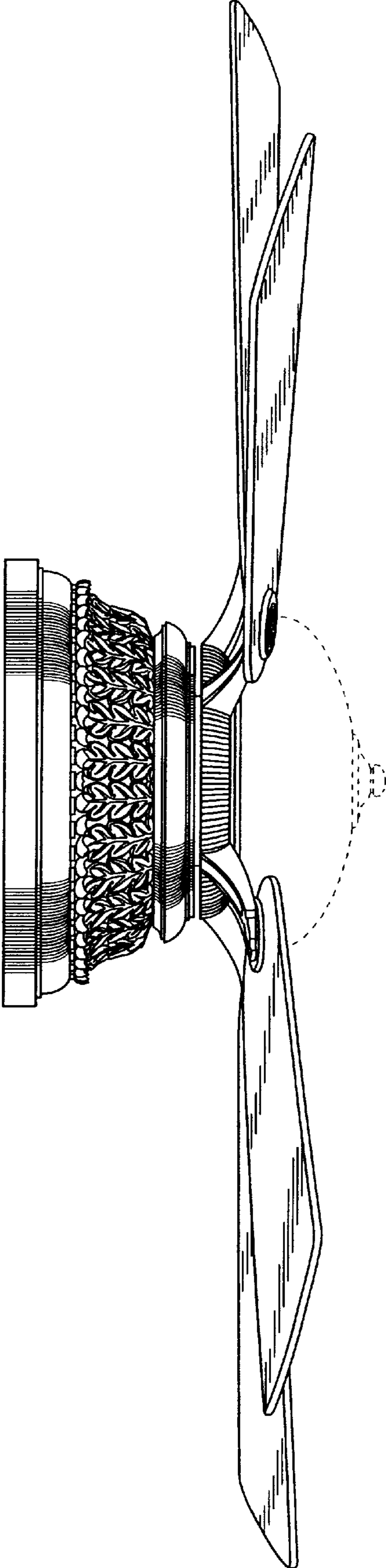


Fig.5