



US00D530412S

(12) **United States Design Patent**
Aydin

(10) **Patent No.:** **US D530,412 S**

(45) **Date of Patent:** **** Oct. 17, 2006**

(54) **MOBILE ELECTRICAL OIL RADIATOR**

(75) Inventor: **Siyami Aydin**, Hadimköy-Istanbul (TR)

(73) Assignee: **Zass Ev Aletleri Sanayi Ve Ticaret A.S.**, Istanbul (TR)

(**) Term: **14 Years**

(21) Appl. No.: **29/197,907**

(22) Filed: **Jan. 23, 2004**

(30) **Foreign Application Priority Data**

Jul. 25, 2003 (TR) 85778

(51) **LOC (8) Cl.** **23-03**

(52) **U.S. Cl.** **D23/330**

(58) **Field of Classification Search** D23/330,
D23/332; 392/357, 358, 375-378, 365-369;
237/16-17, 70-71

See application file for complete search history.

(56) **References Cited**

U.S. PATENT DOCUMENTS

D314,613 S * 2/1991 De'Longhi D23/330
D341,654 S * 11/1993 Wortham D23/338

D359,344 S * 6/1995 De'Longhi D23/330
D397,193 S * 8/1998 Boyle et al. D23/330
D423,090 S * 4/2000 Barbosa D23/330
D428,644 S * 7/2000 De'Longhi D23/330
D449,675 S * 10/2001 Shih D23/330

* cited by examiner

Primary Examiner—Brian N Vinson

(74) *Attorney, Agent, or Firm*—Arent Fox PLLC

(57) **CLAIM**

The ornamental design for a mobile electrical oil radiator, as shown and described.

DESCRIPTION

FIG. 1 is a perspective view of the mobile electrical oil radiator;

FIG. 2 is a front view of the mobile electrical oil radiator;

FIG. 3 is a rear view of the mobile electrical oil radiator;

FIG. 4 is a left side view of the mobile electrical oil radiator;

FIG. 5 is a right side view of the mobile electrical oil radiator;

FIG. 6 is a top view of the mobile electrical oil radiator; and,

FIG. 7 is a bottom view of the mobile electrical oil radiator.

1 Claim, 7 Drawing Sheets

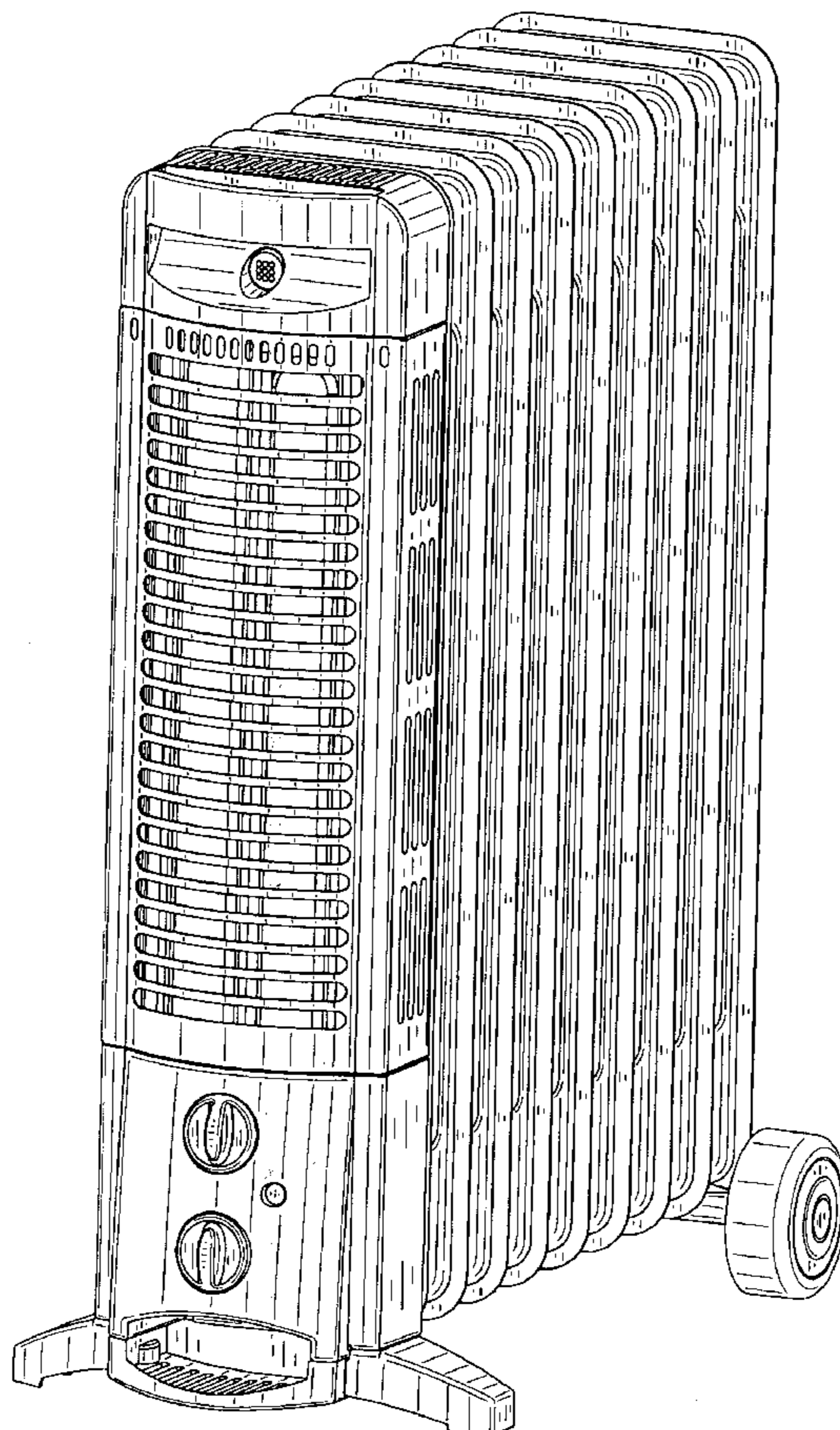


FIG. 1

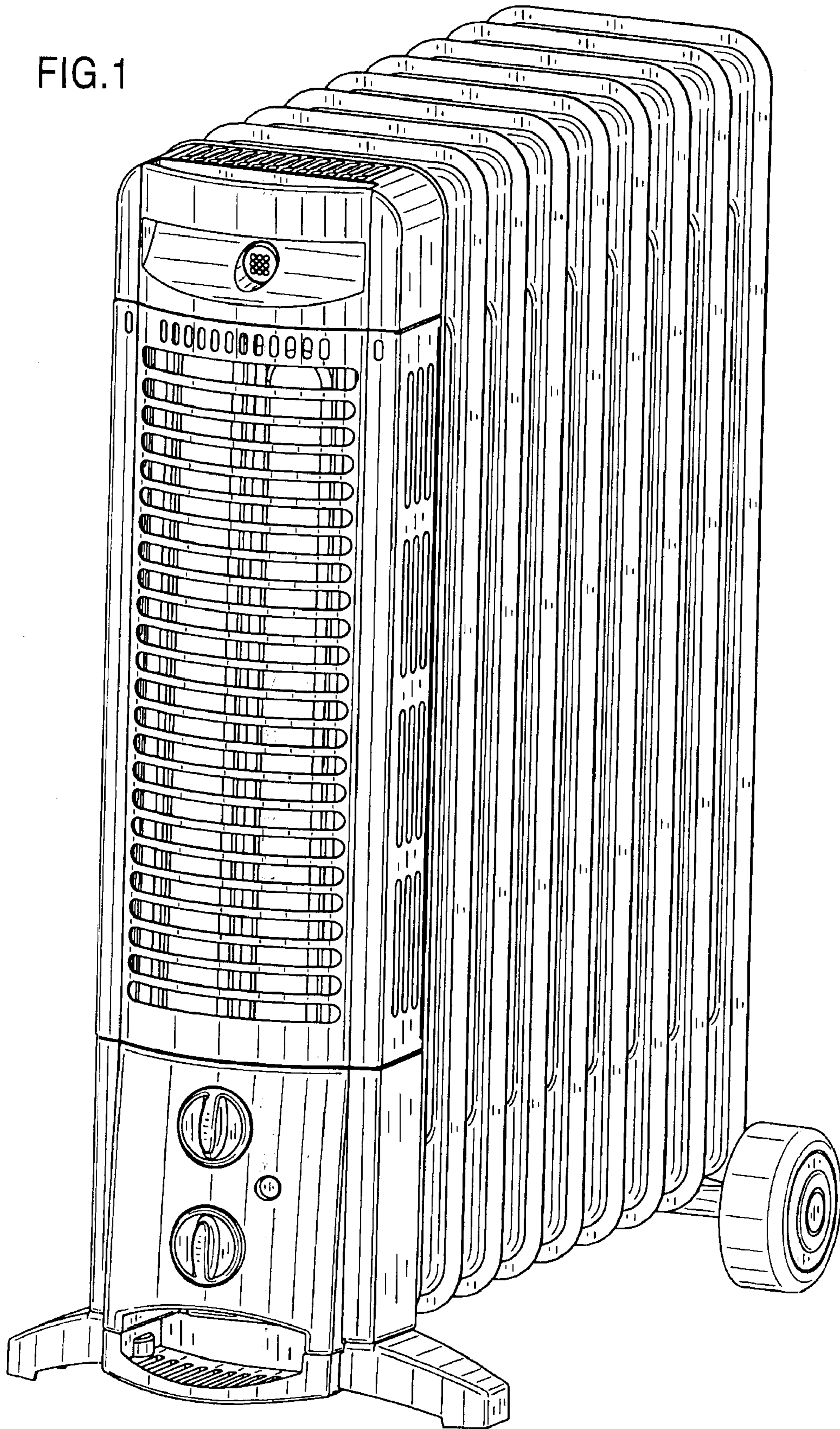


FIG.2

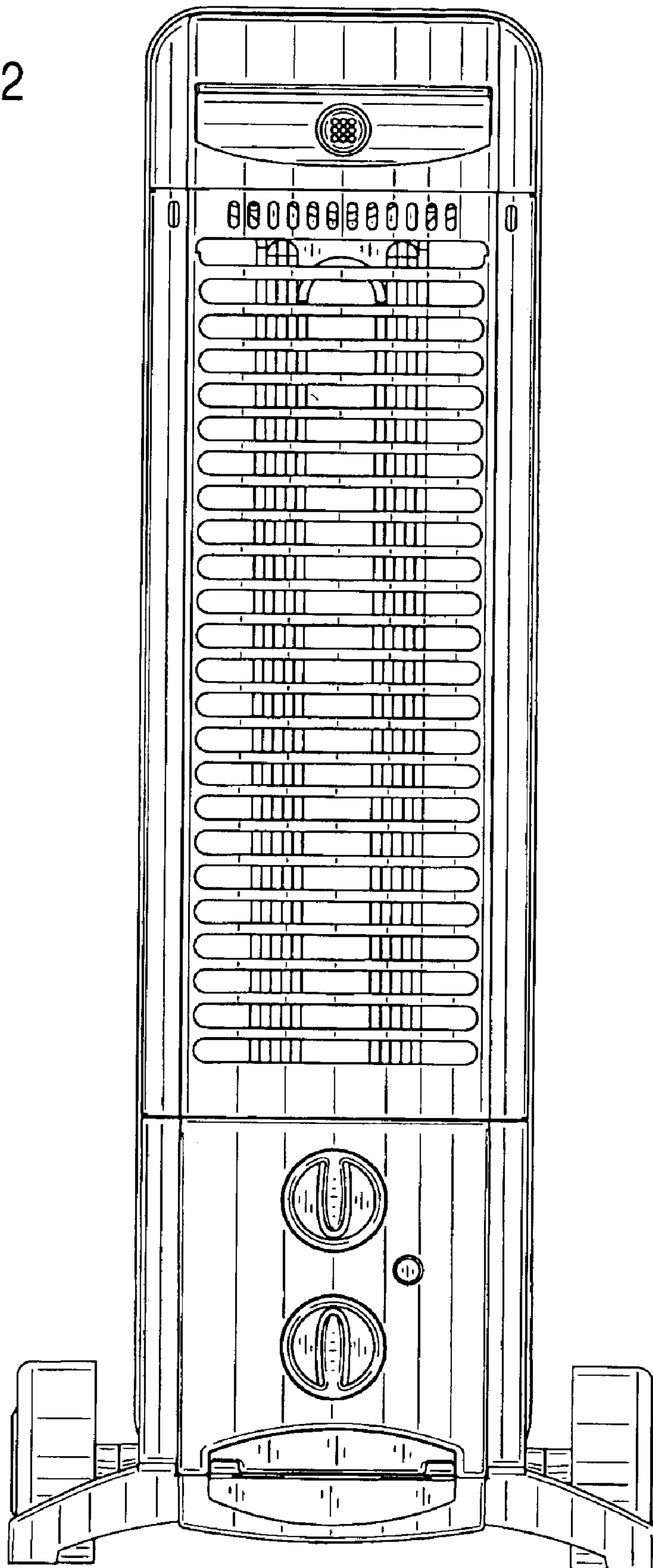


FIG.3

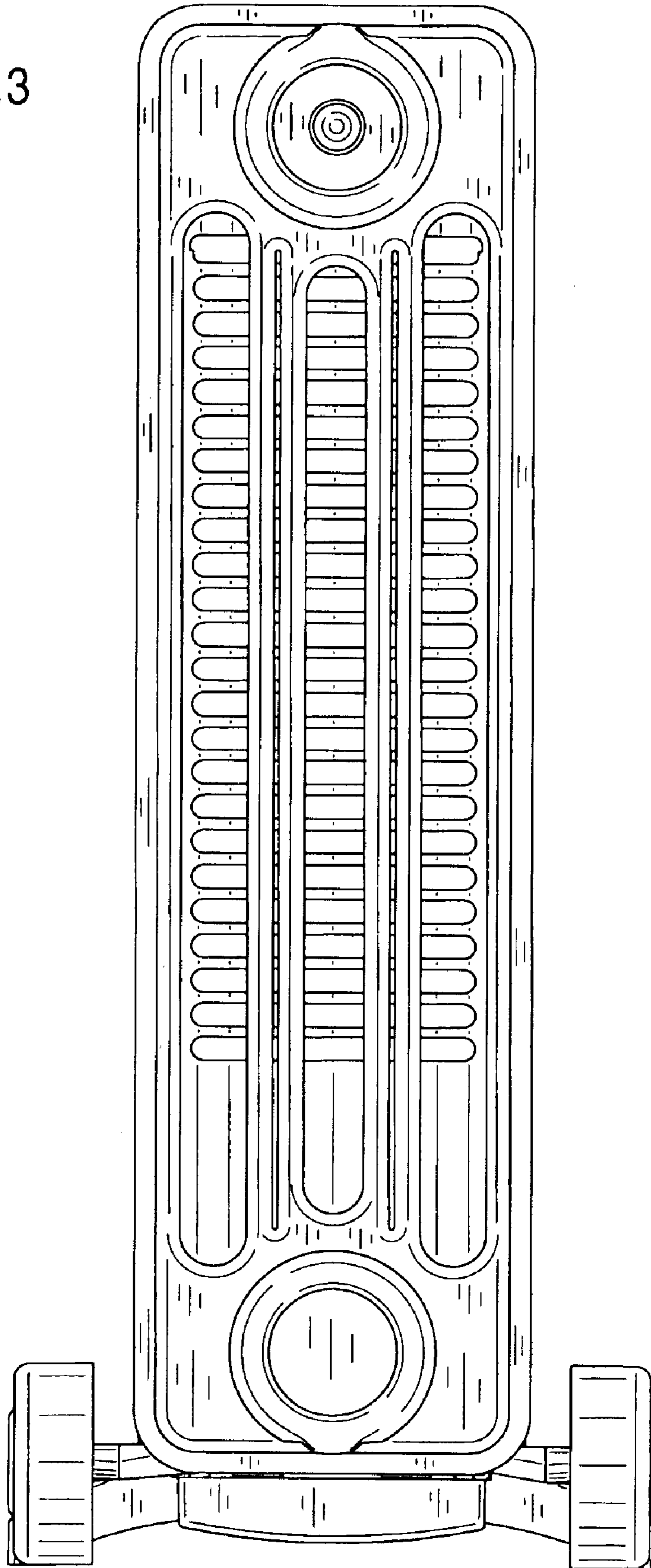


FIG.4

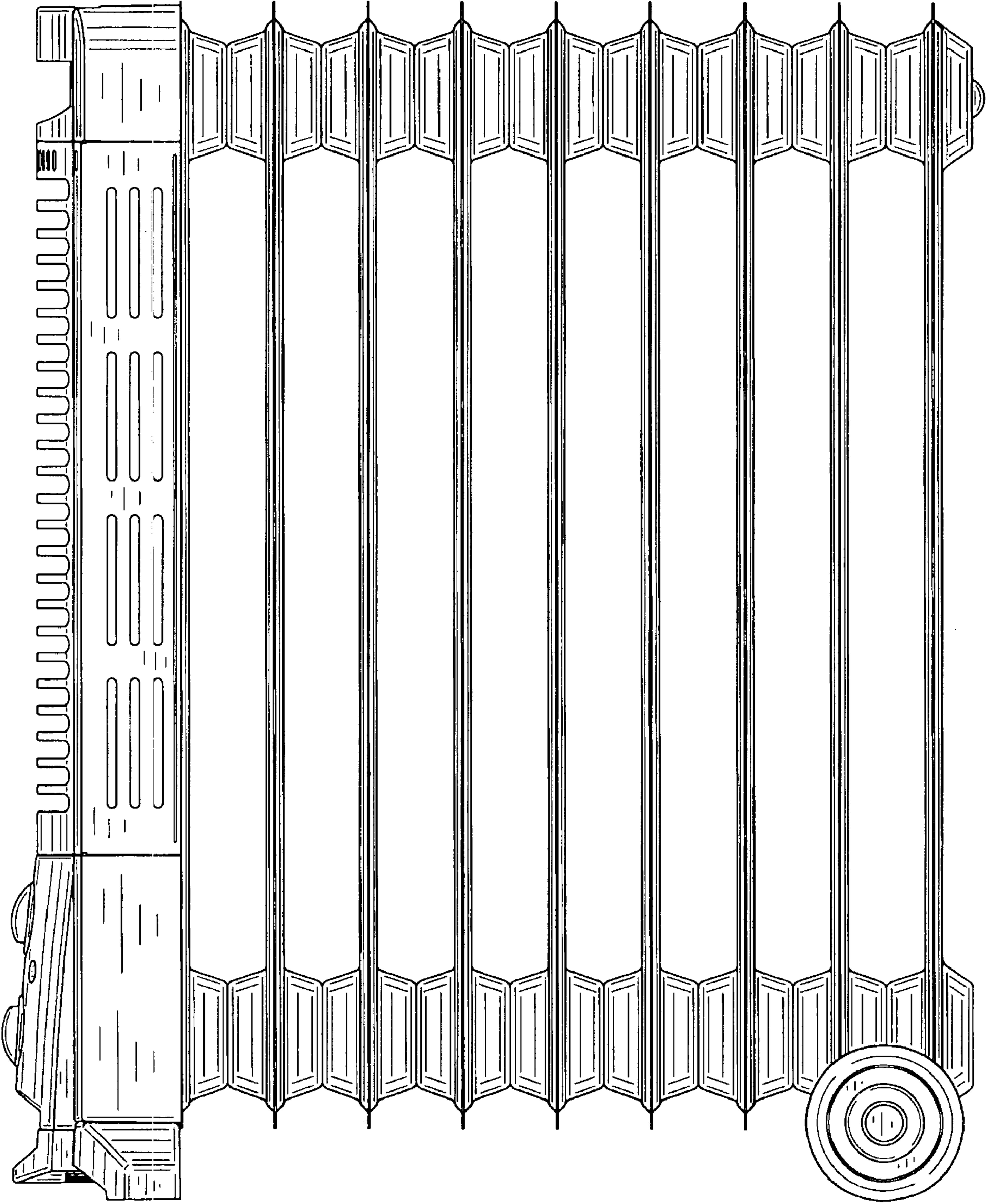


FIG.5

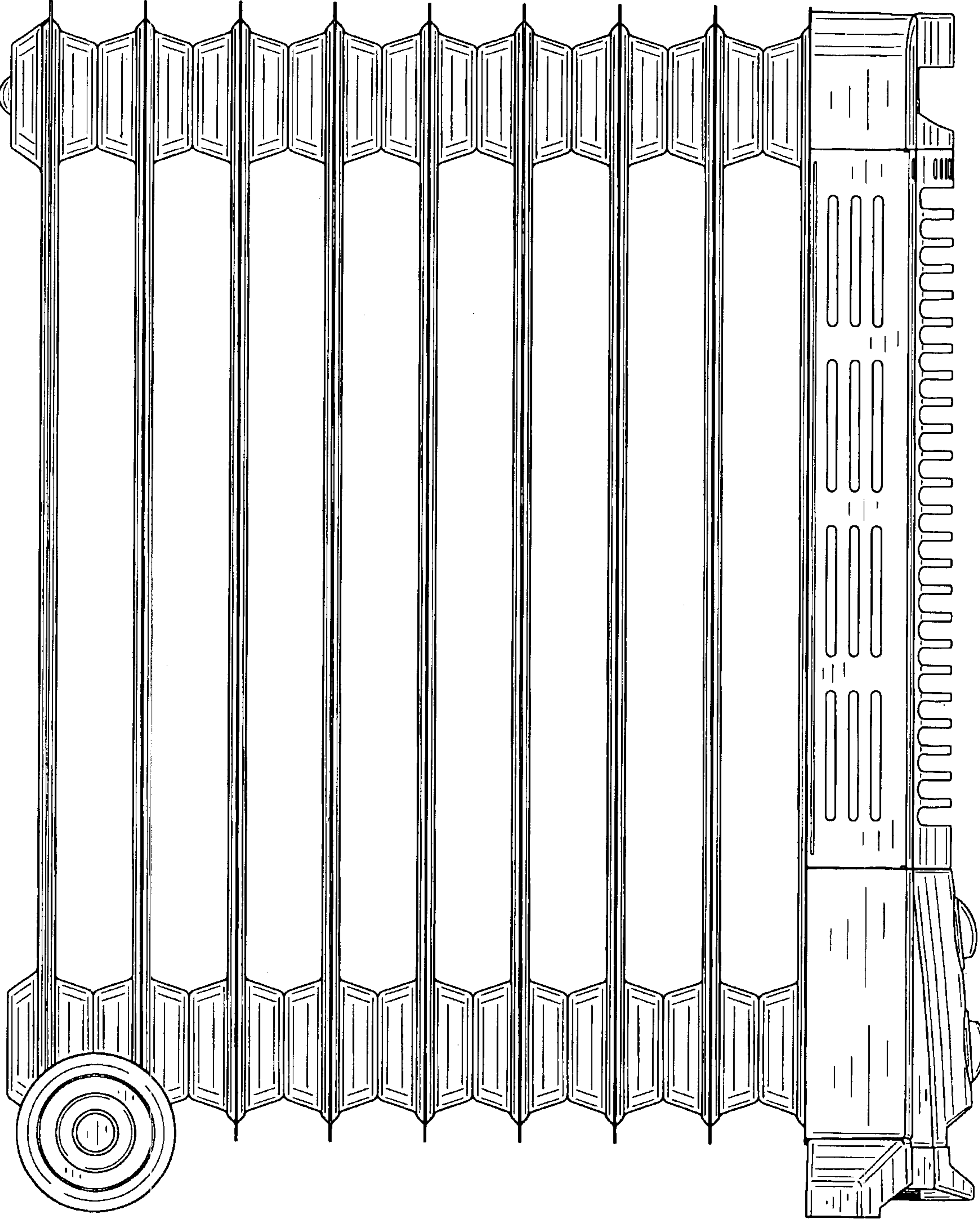


FIG.6

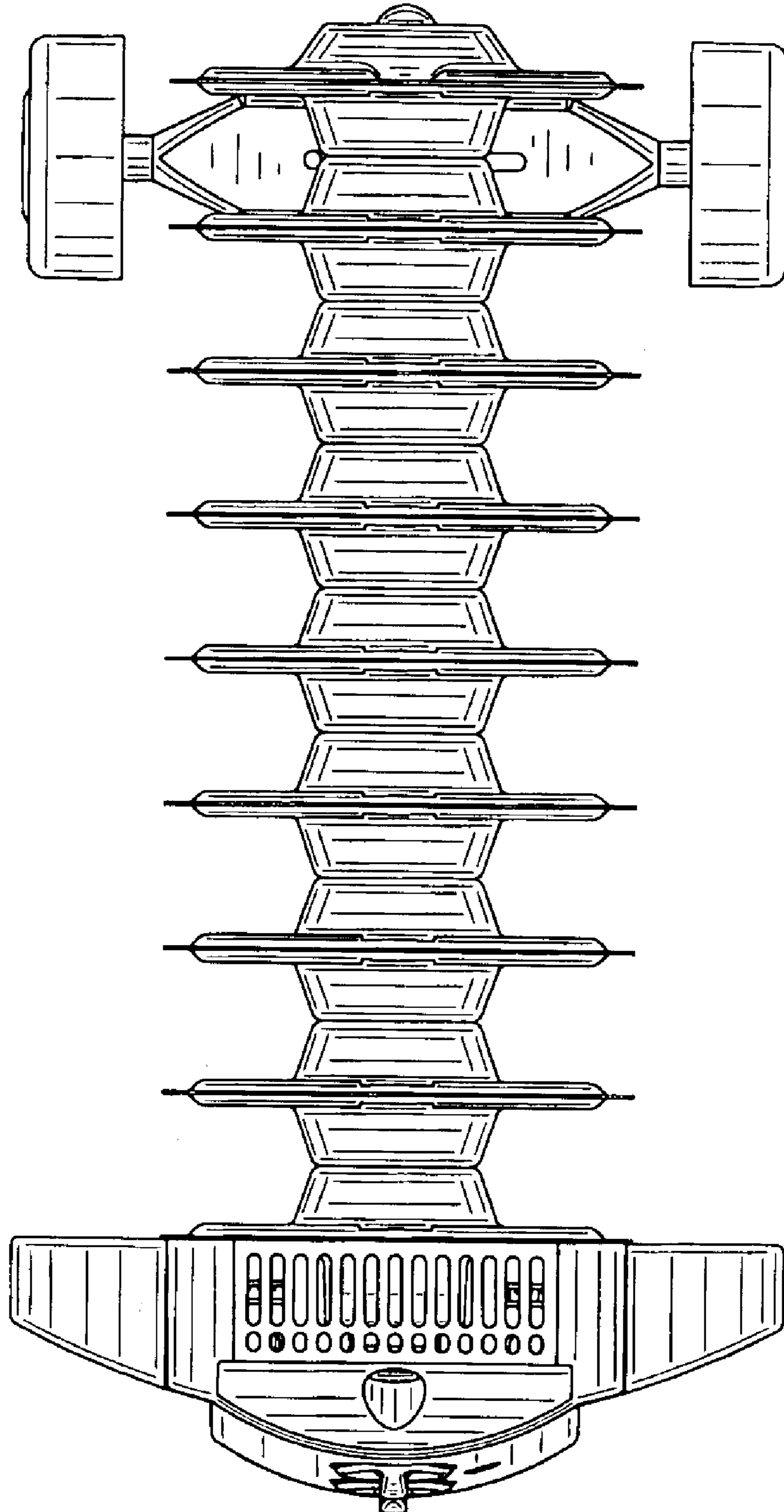


FIG. 7

