



US00D530410S

(12) **United States Design Patent**
Hamilton, Sr.

(10) **Patent No.:** **US D530,410 S**

(45) **Date of Patent:** **** Oct. 17, 2006**

(54) **COMBINED ELECTRIC HEAT PAD AND CONTROLLER FOR TOILET SEATS**

D322,850 S * 12/1991 Madrigal D23/386
D349,760 S * 8/1994 Schlumpf D23/311
D460,162 S * 7/2002 Carrier D23/311

(76) Inventor: **Randy L. Hamilton, Sr.**, 1185
Countryside Dr., Turlock, CA (US)
95380

* cited by examiner

Primary Examiner—Robert A. Delehanty

(**) Term: **14 Years**

(57) **CLAIM**

(21) Appl. No.: **29/234,465**

The ornamental design for a combined electric heat pad and controller for toilet seats, as shown and described.

(22) Filed: **Jul. 20, 2005**

DESCRIPTION

(51) **LOC (8) Cl.** **23-02**

(52) **U.S. Cl.** **D23/311**

(58) **Field of Classification Search** D23/303,
D23/309, 311-312; 4/485-486, 217, 234,
4/237-239, 424.1, 246.1, 246.3, 661, DIG. 6,
4/DIG. 9

FIG. 1 is a top plan view of a combined electric heat pad and controller for toilet seats showing my new design;
FIG. 2 is a bottom plan view thereof;
FIG. 3 is a right side elevational view thereof;
FIG. 4 is a left side elevational view thereof;
FIG. 5 is a front elevational view thereof; and,
FIG. 6 is a rear elevational view thereof.

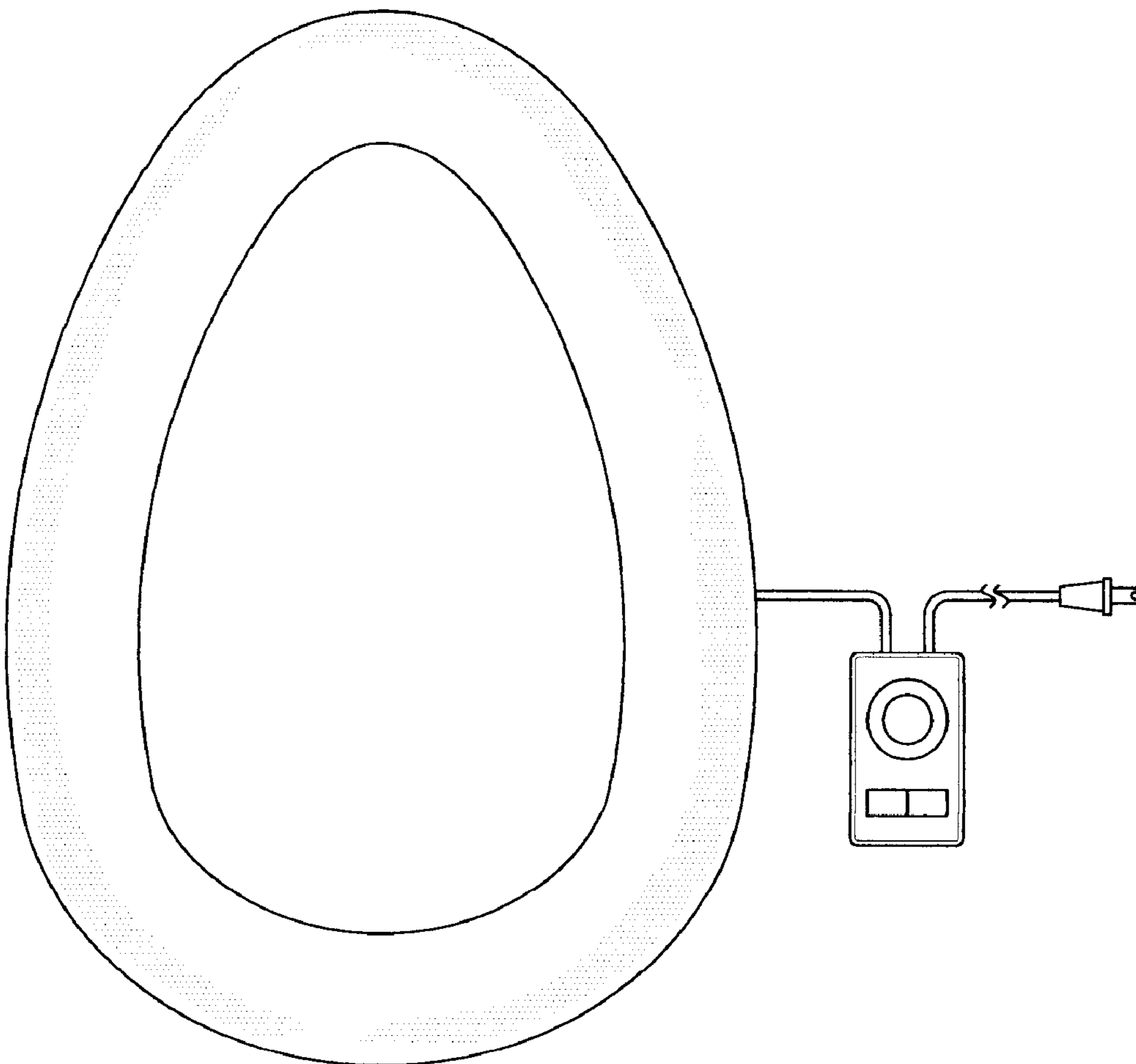
See application file for complete search history.

(56) **References Cited**

U.S. PATENT DOCUMENTS

2,717,953 A * 9/1955 Brandi 4/DIG. 6

1 Claim, 4 Drawing Sheets



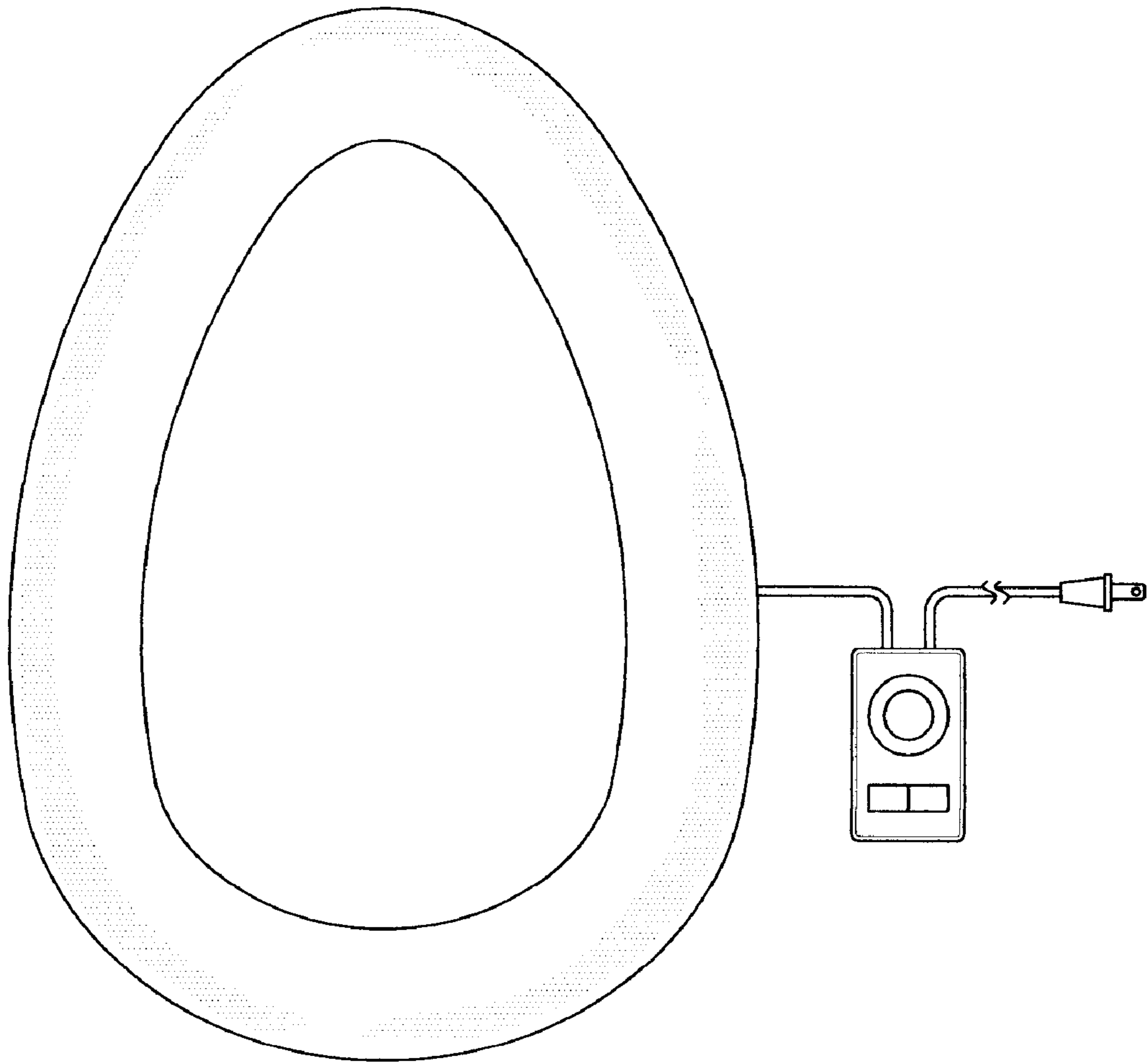


FIG.1

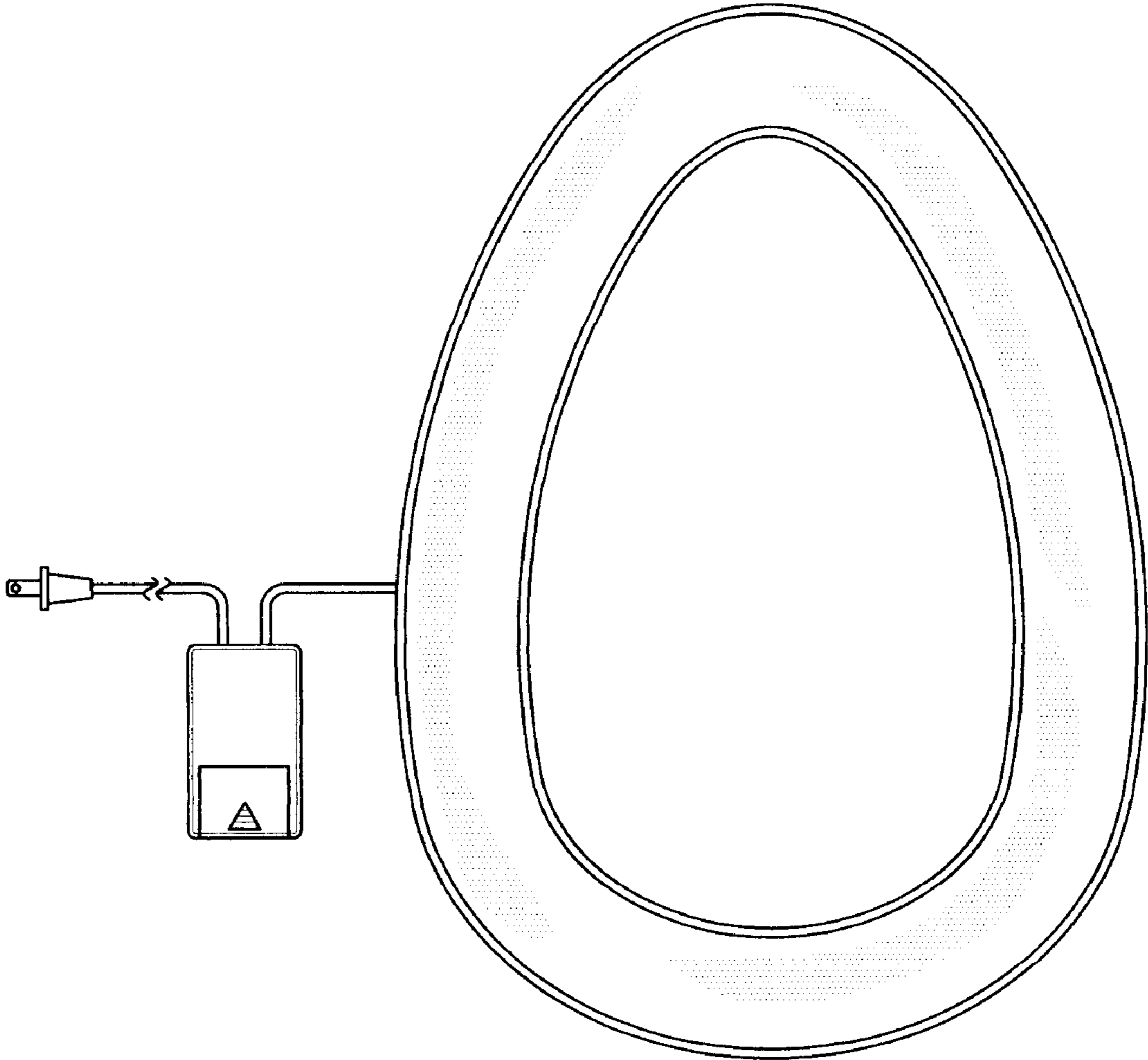


FIG.2

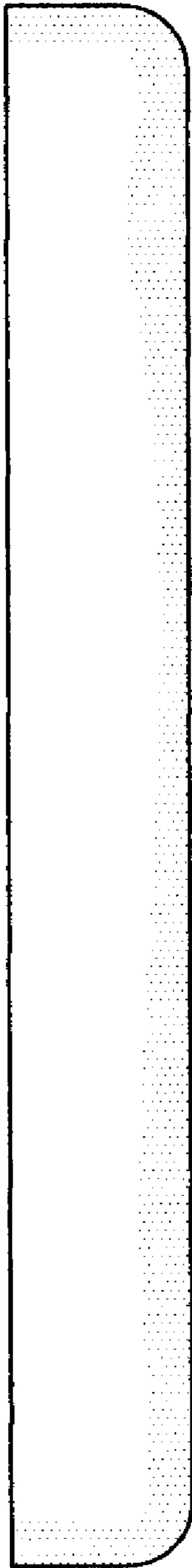


FIG. 3

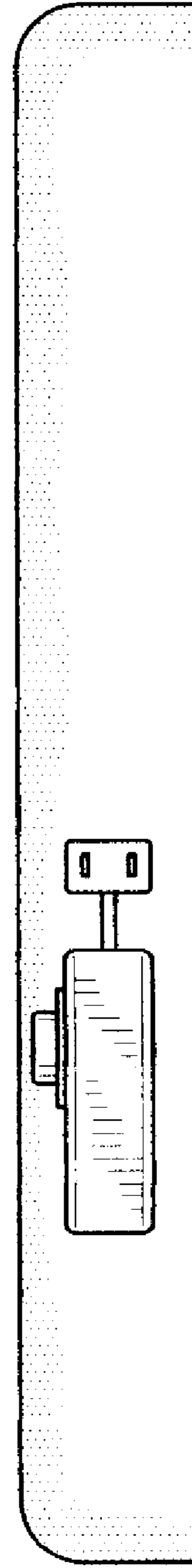


FIG. 4



FIG. 5

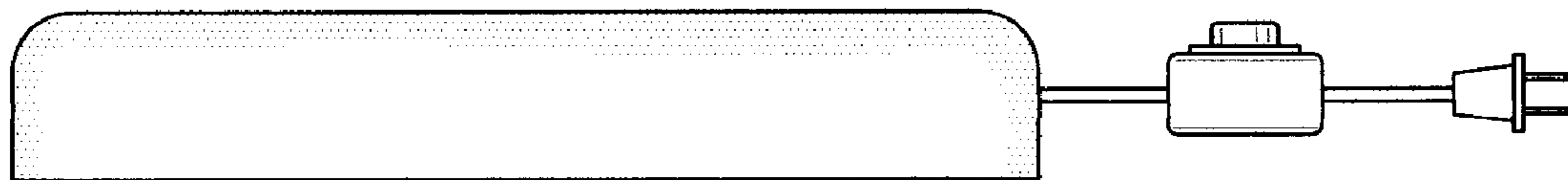


FIG. 6