



US00D530408S

(12) **United States Design Patent**  
**Soulier**

(10) **Patent No.:** **US D530,408 S**

(45) **Date of Patent:** **\*\* Oct. 17, 2006**

(54) **LAVATORY**

(75) Inventor: **Jean-Hugues Soulier**, Vaucresson (FR)

(73) Assignee: **Kohler France SAS**, Paris (FR)

(\*\*) Term: **14 Years**

(21) Appl. No.: **29/220,850**

(22) Filed: **Jan. 7, 2005**

(51) **LOC (8) Cl.** ..... **23-02**

(52) **U.S. Cl.** ..... **D23/293.1**

(58) **Field of Classification Search** ..... D23/272–274,  
D23/284–285, 288–291, 293.1, 303, 308;  
4/515–516, 519, 619, 650, 661, 639  
See application file for complete search history.

(56) **References Cited**

**U.S. PATENT DOCUMENTS**

D36,595 S	*	10/1903	Peet	.....	D23/290
D279,404 S		6/1985	Hiller		
D447,224 S	*	8/2001	Barnum et al.	.....	D23/308
D455,200 S	*	4/2002	Marshall	.....	D23/284
D504,264 S	*	4/2005	Galeazzi et al.	.....	D6/555

**OTHER PUBLICATIONS**

Hastings website page, Luce 65 (26 3/8" 80 (31 1/3" wide) with optional glass rack, dated Jan. 7, 2005.  
Bathstore website page, Luce 650, dated Oct. 18, 2004.  
Unknown supplier, Vanity washbasin #7159 10XX, Half built-in washbasin #7165 60XX, version 1 and 2.  
Kohler catalog page, Lavatorie, Countertop Self-Rimming.  
Englefield catalog pages, showing Tesero and Sapphire Vanities.

Villeroy & Boch catalog pages, Vanity Washbasins, Virage, Select and Florence Vanities.

\* cited by examiner

*Primary Examiner*—Robert A. Delehanty

(74) *Attorney, Agent, or Firm*—Quarles & Brady LLP

(57) **CLAIM**

The ornamental design for a lavatory, as shown and described.

**DESCRIPTION**

In a preferred embodiment, the nature of this product is a lavatory for washing human body parts.

FIG. 1 is a top, left, front perspective view of a lavatory embodying my new design;

FIG. 2 is a top plan view thereof;

FIG. 3 is a left side elevational view thereof, the right side elevational view thereof being a mirror image of the left side shown;

FIG. 4 is a front elevational view thereof;

FIG. 5 is one possible rear elevational view thereof;

FIG. 6 is a top, left, front perspective view of a lavatory according to another embodiment my new design;

FIG. 7 is a top plan view thereof;

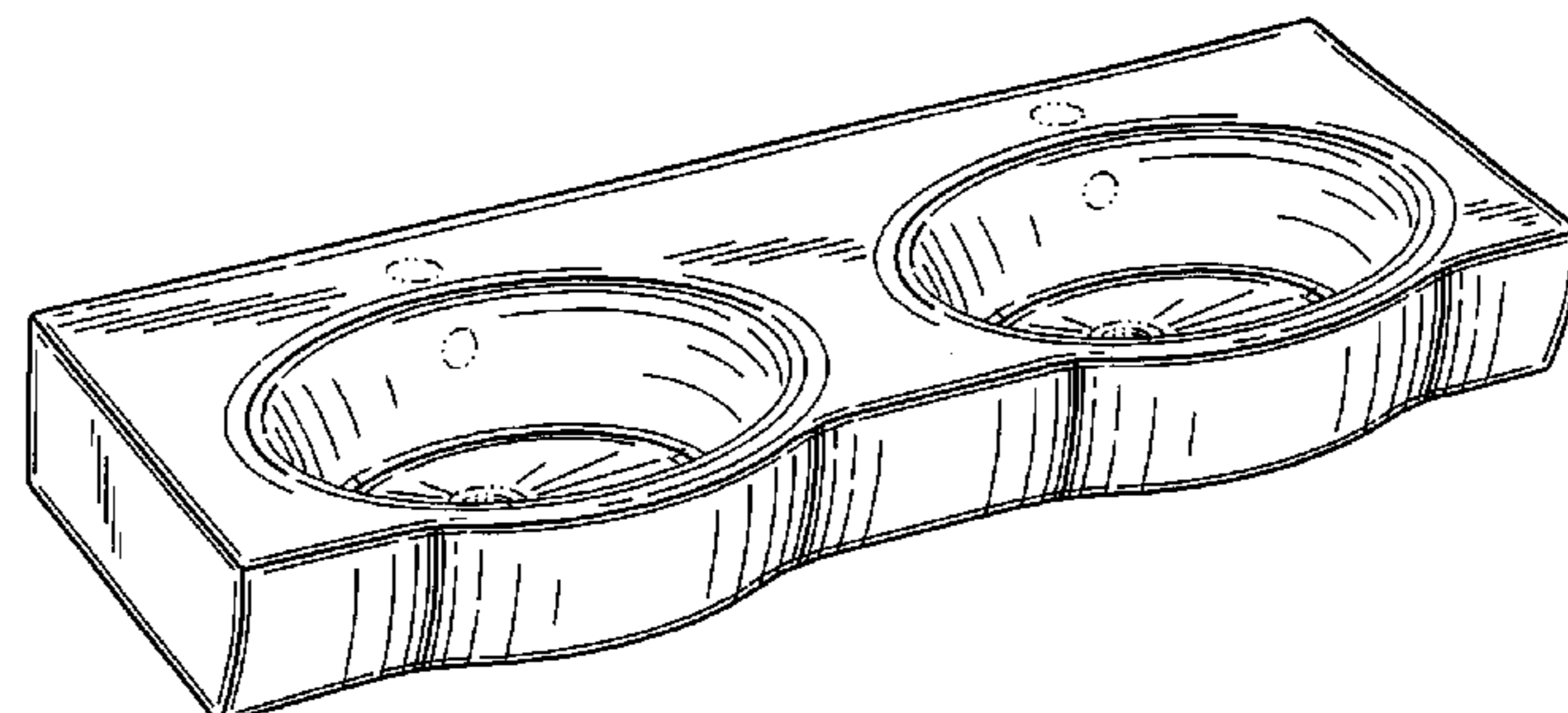
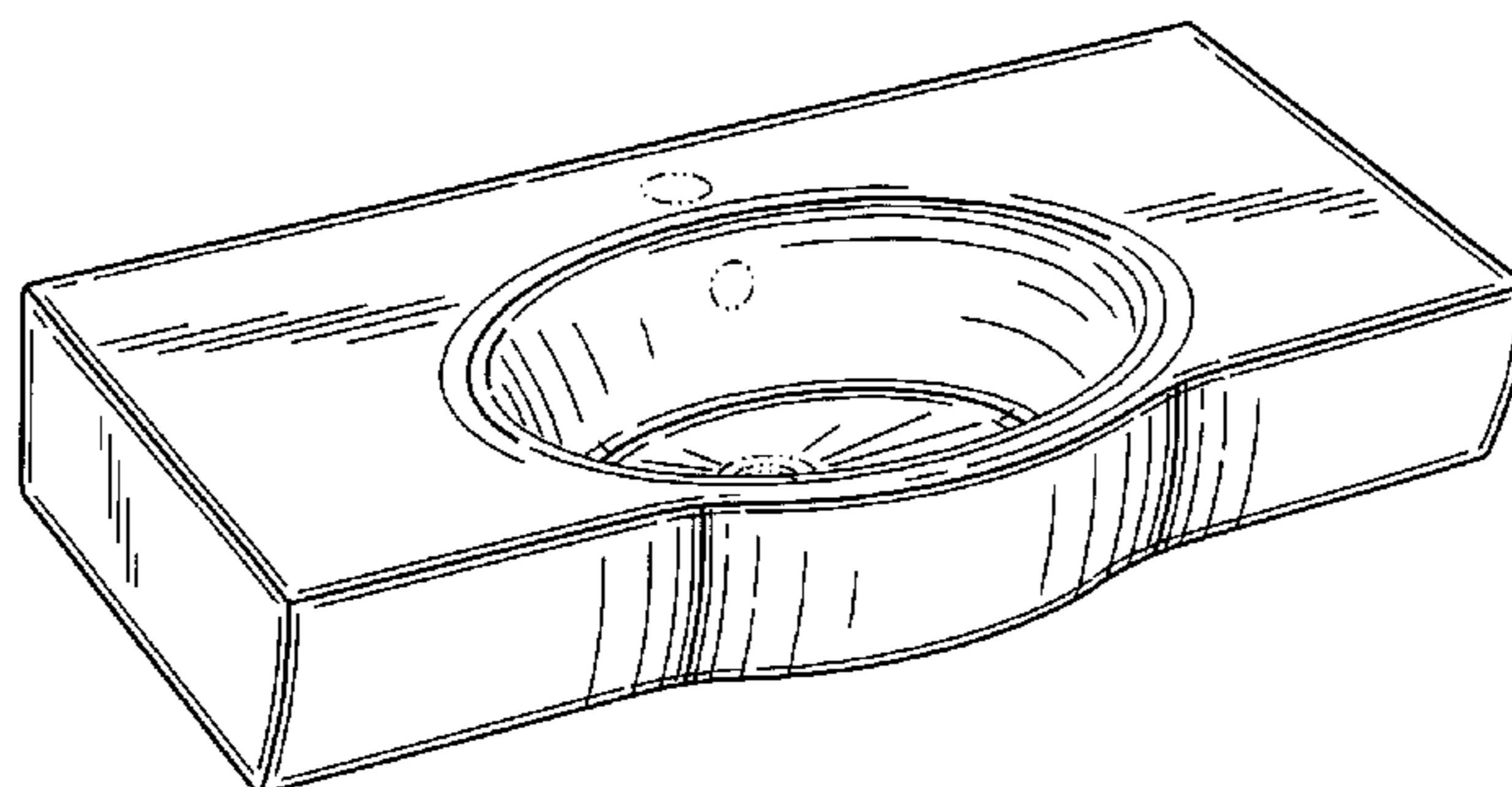
FIG. 8 is a left side elevational view thereof, the right side elevational view thereof being a mirror image of the left side shown;

FIG. 9 is a front elevational view thereof; and,

FIG. 10 is one possible rear elevational view thereof.

The broken line representations of holes and a drain in FIGS. 1–2 and 6–7 are for the purpose of illustration only, and form no part of the claimed design. Further, the rear views of FIGS. 5 and 10 are not seen in normal use. Thus, they also form no part of the claimed design.

**1 Claim, 4 Drawing Sheets**



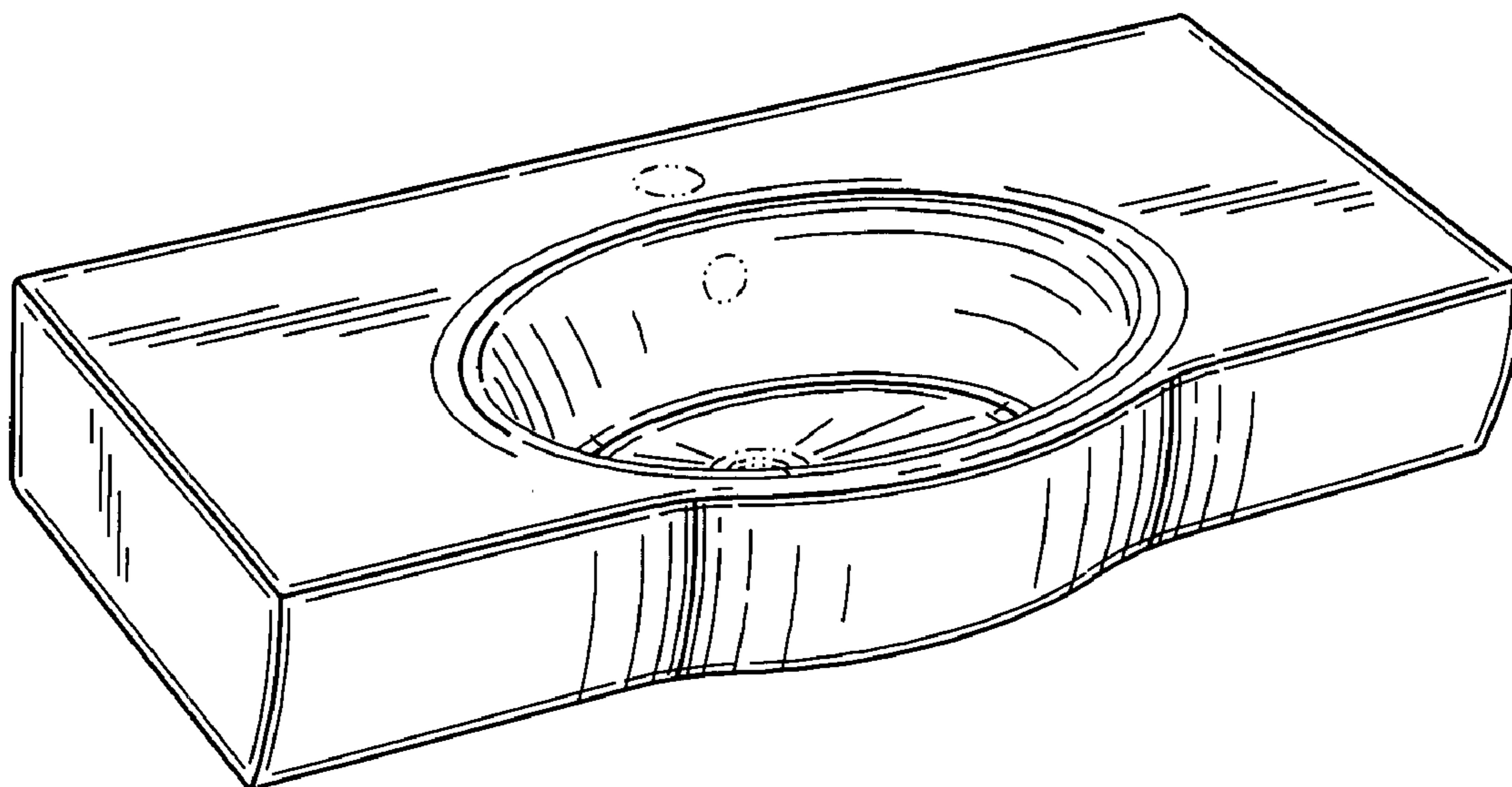


FIG. 1

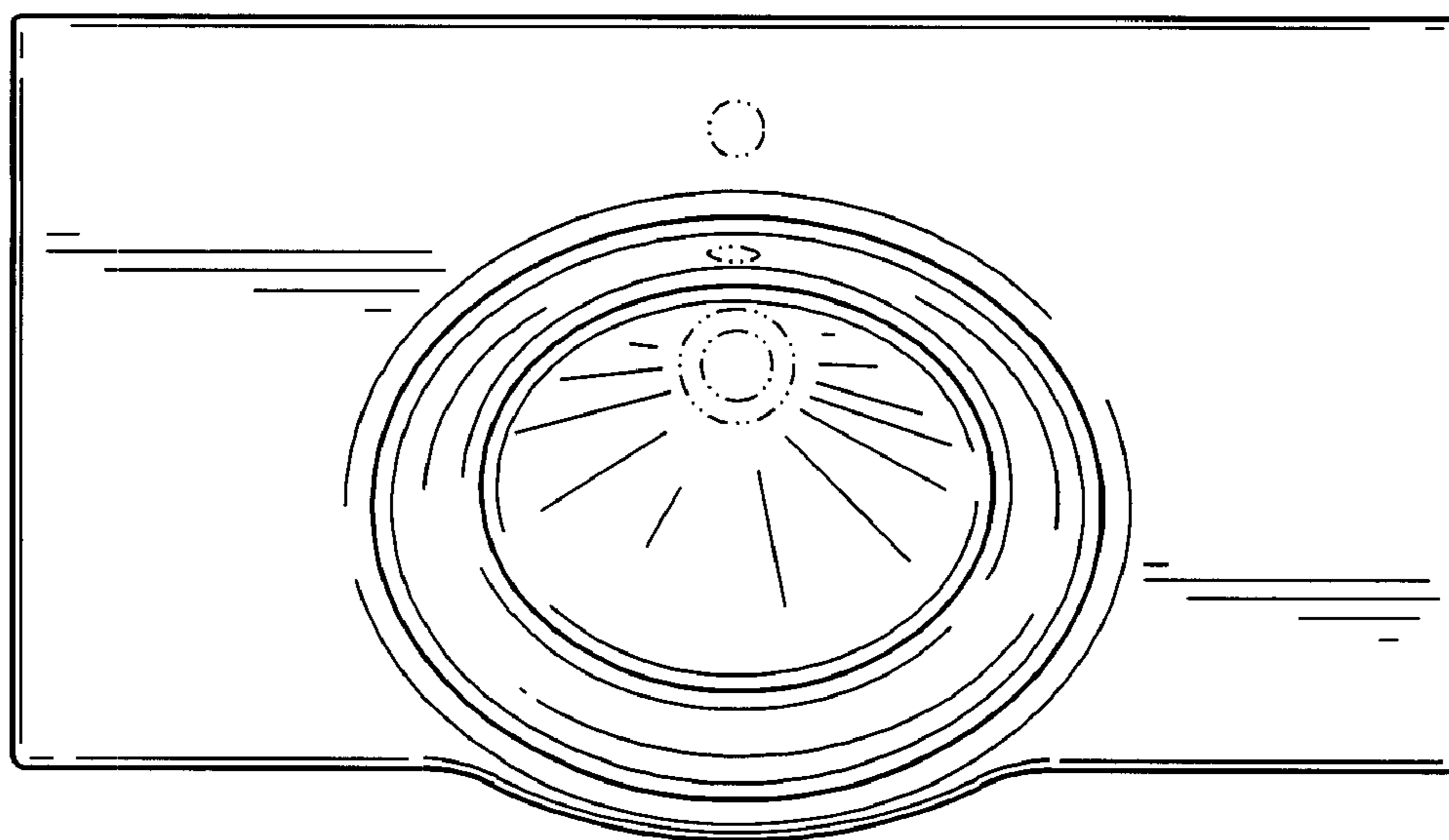


FIG. 2

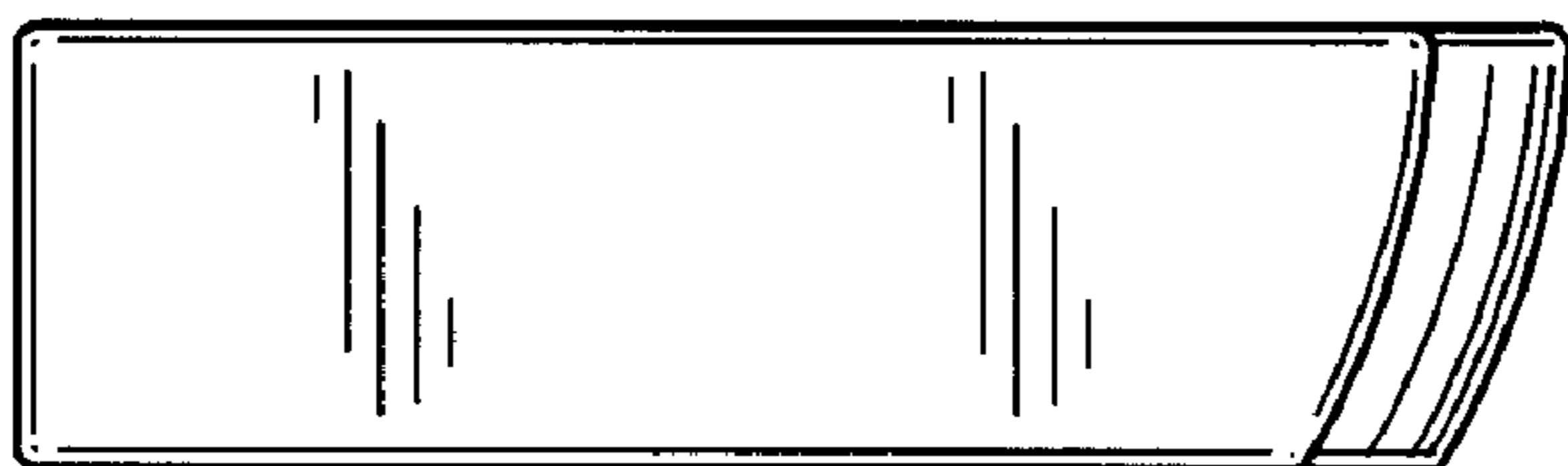


FIG. 3

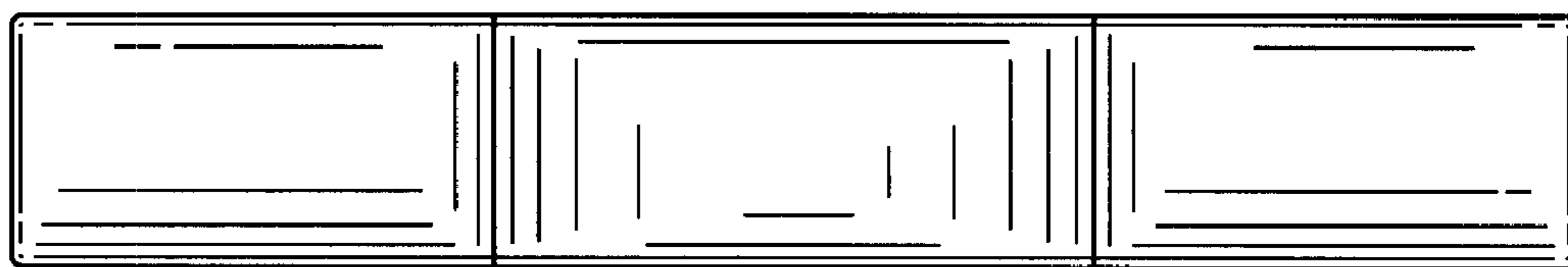


FIG. 4

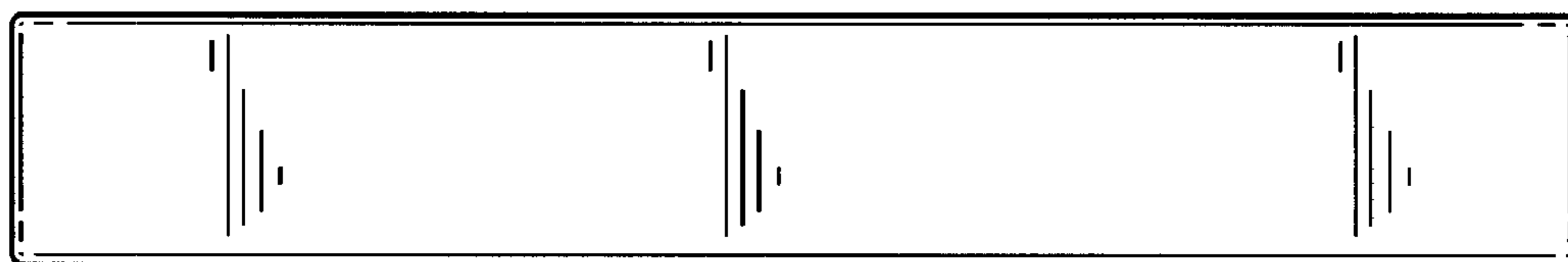


FIG. 5

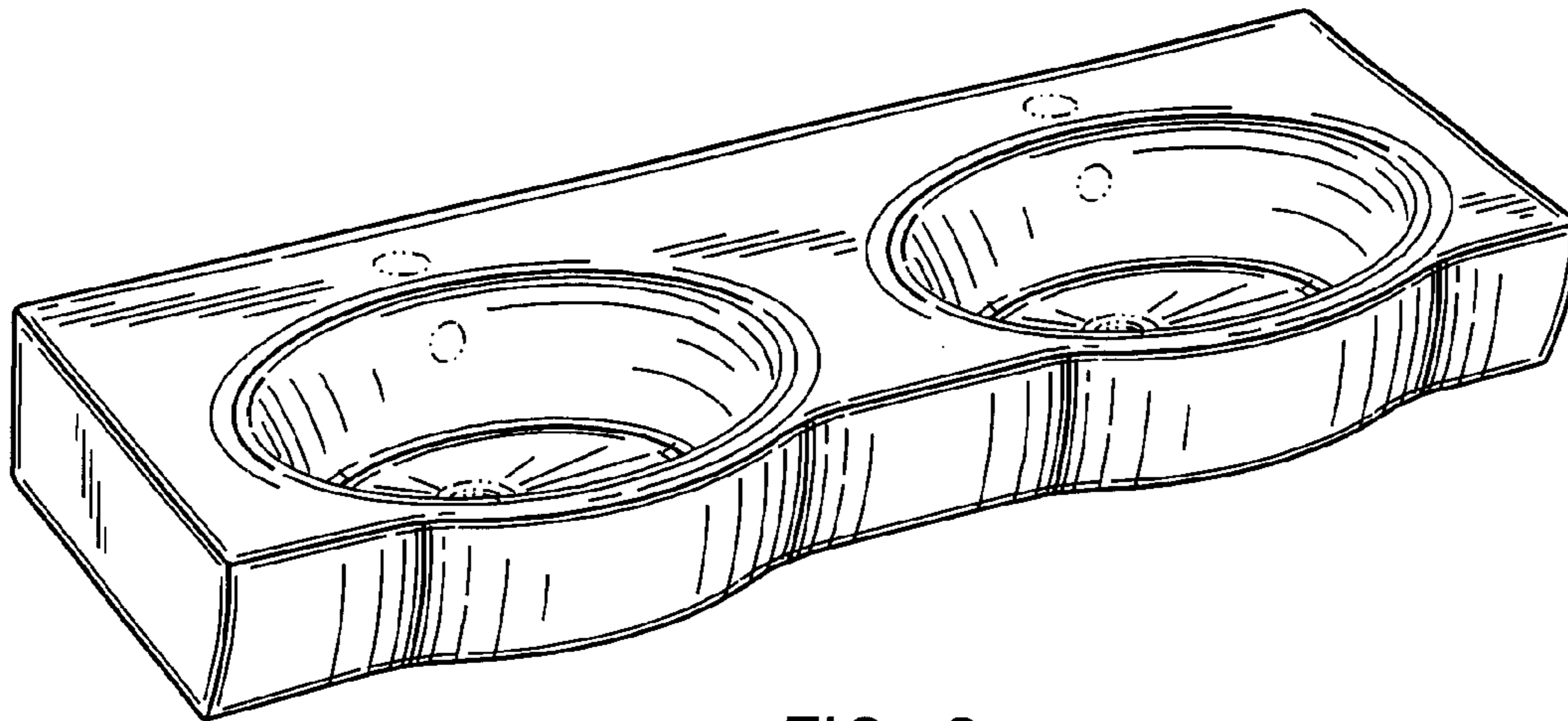


FIG. 6

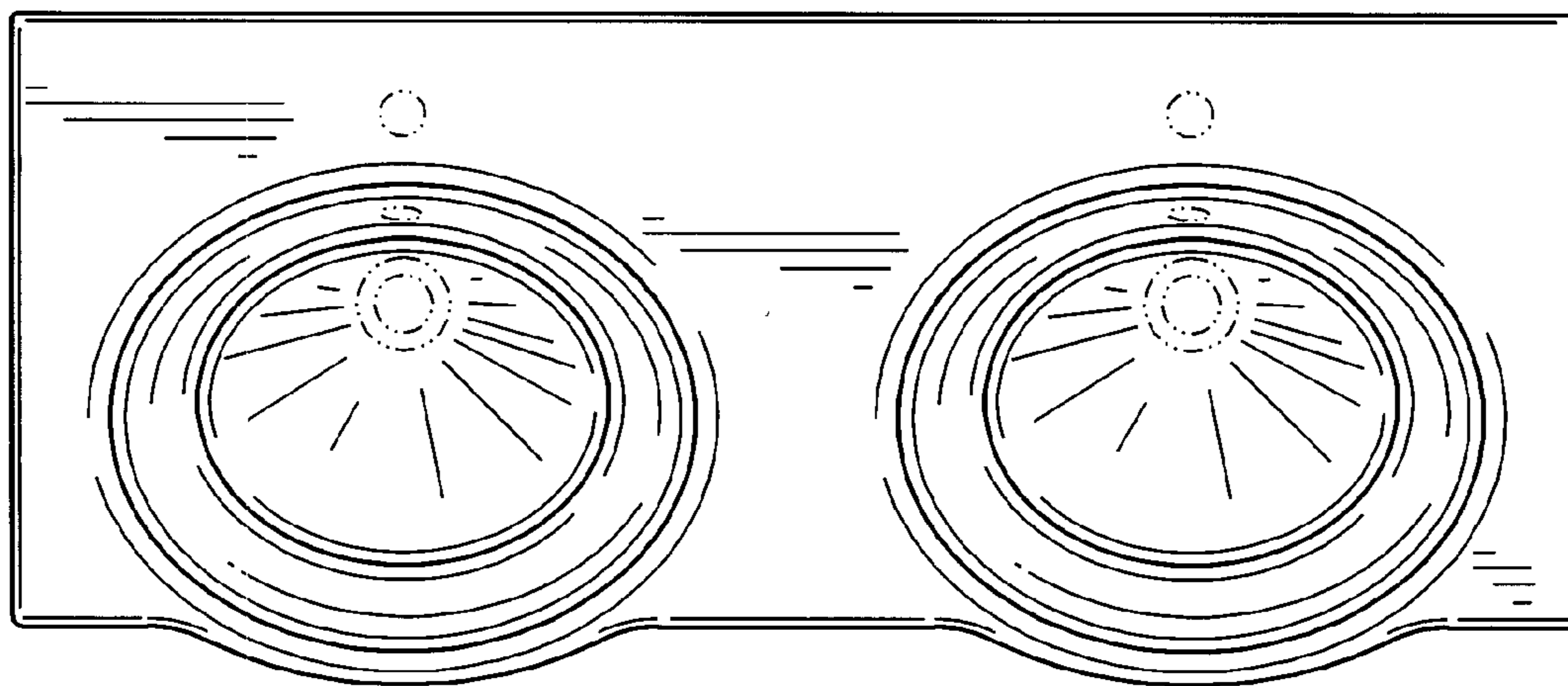


FIG. 7

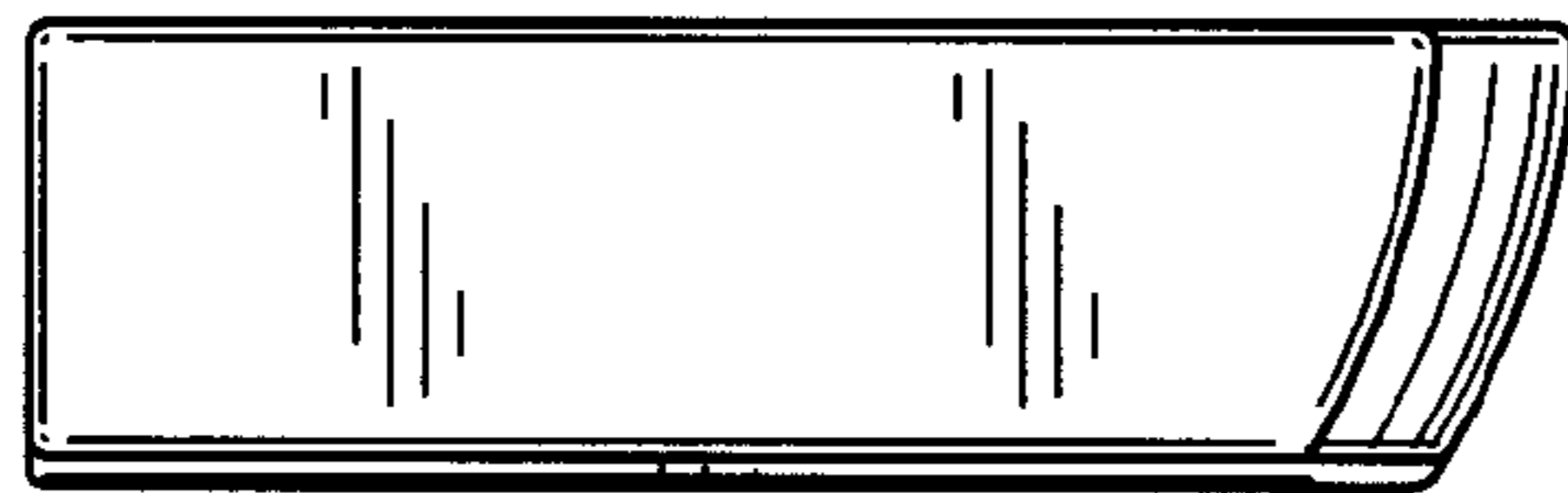


FIG. 8

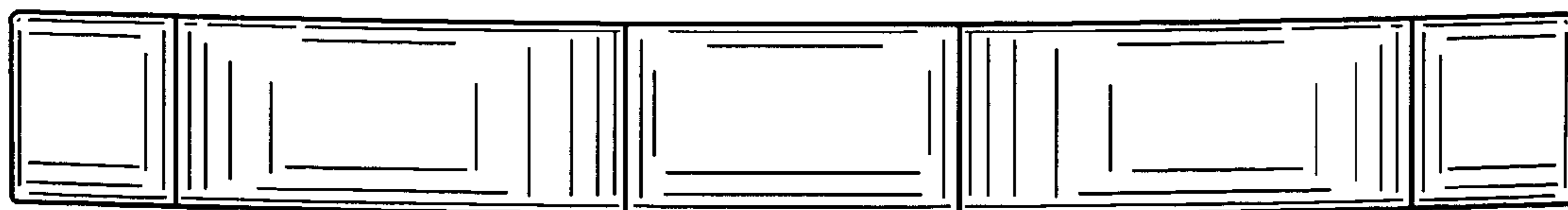


FIG. 9

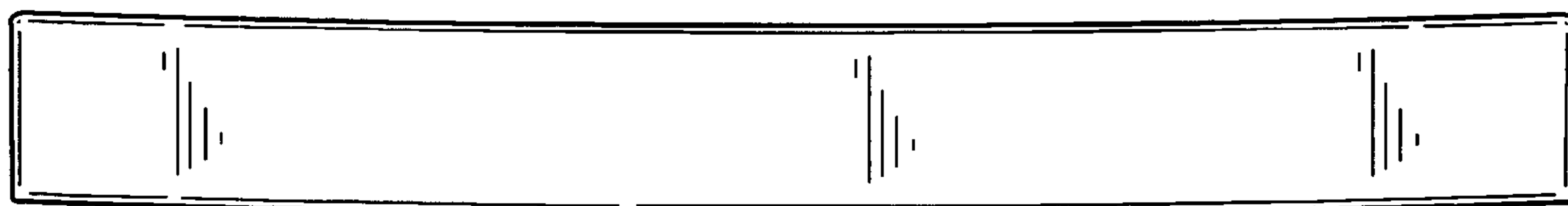


FIG. 10